



US00D667900S

(12) **United States Design Patent**  
**Ho**

(10) **Patent No.:** **US D667,900 S**

(45) **Date of Patent:** **\*\* Sep. 25, 2012**

(54) **STEPPER**

(76) Inventor: **Wei-Teh Ho**, Taipei (TW)

(\*\*) Term: **14 Years**

(21) Appl. No.: **29/372,889**

(22) Filed: **Jan. 31, 2011**

(51) **LOC (9) Cl.** ..... **21-02**

(52) **U.S. Cl.** ..... **D21/670; D21/671; D21/668**

(58) **Field of Classification Search** ..... **D21/662,**  
**D21/668, 669, 670, 671; 482/51-53, 140,**  
**482/142, 146**

See application file for complete search history.

(56) **References Cited**

**U.S. PATENT DOCUMENTS**

5,058,882	A *	10/1991	Dalebout et al.	482/53
5,263,910	A *	11/1993	Yang	482/52
D392,006	S *	3/1998	Dalebout et al.	D21/668
D397,745	S *	9/1998	Wu	D21/668
D474,818	S *	5/2003	Yu	D21/662
6,709,367	B1 *	3/2004	Liang	482/53
D498,506	S *	11/2004	Yu	D21/670
D517,133	S *	3/2006	Yang	D21/670
D521,576	S *	5/2006	Hsiung	D21/668
D533,236	S *	12/2006	Huang	D21/688
D535,710	S *	1/2007	Hsiung	D21/668

D569,456	S *	5/2008	Nardone et al.	D21/670
7,530,928	B2 *	5/2009	Liao	482/53
D630,274	S *	1/2011	Babiarz	D21/686
7,878,960	B1 *	2/2011	Liu	482/146
2005/0049123	A1 *	3/2005	Dalebout et al.	482/142
2008/0280731	A1 *	11/2008	Dalebout et al.	482/52

\* cited by examiner

*Primary Examiner* — Susan E Krakower

(74) *Attorney, Agent, or Firm* — Jackson IPG PLLC

(57) **CLAIM**

I claim the ornamental design for a stepper, as shown and described.

**DESCRIPTION**

FIG. 1 is a perspective view of a stepper showing my new design;

FIG. 2 is a front view thereof;

FIG. 3 is a right side view thereof;

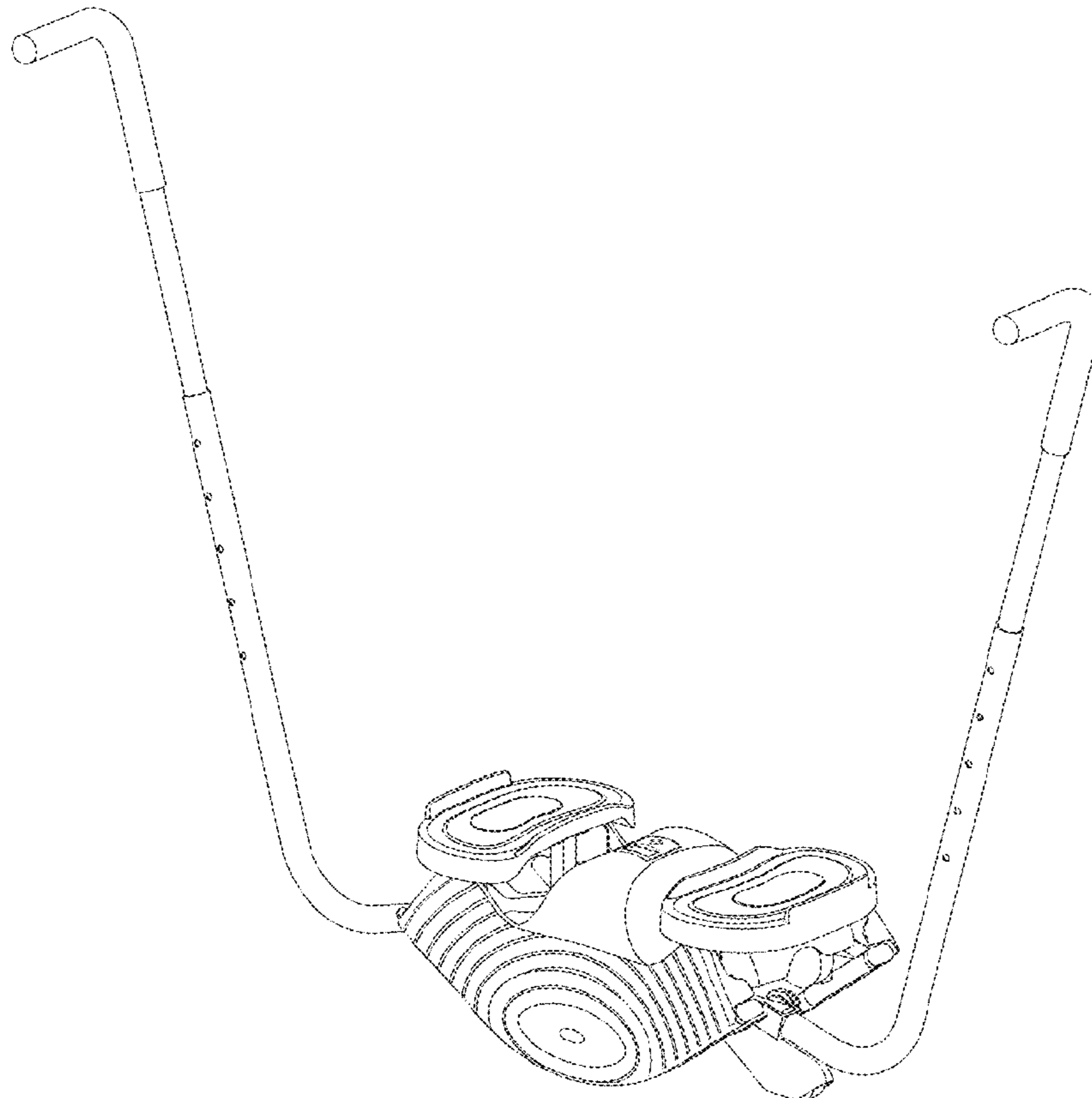
FIG. 4 is a left side view thereof;

FIG. 5 is a rear view thereof;

FIG. 6 is a top plan view thereof; and,

FIG. 7 is a bottom plan view thereof, where those portions of the design indicated by broken lines form no part of the claimed design.

**1 Claim, 6 Drawing Sheets**



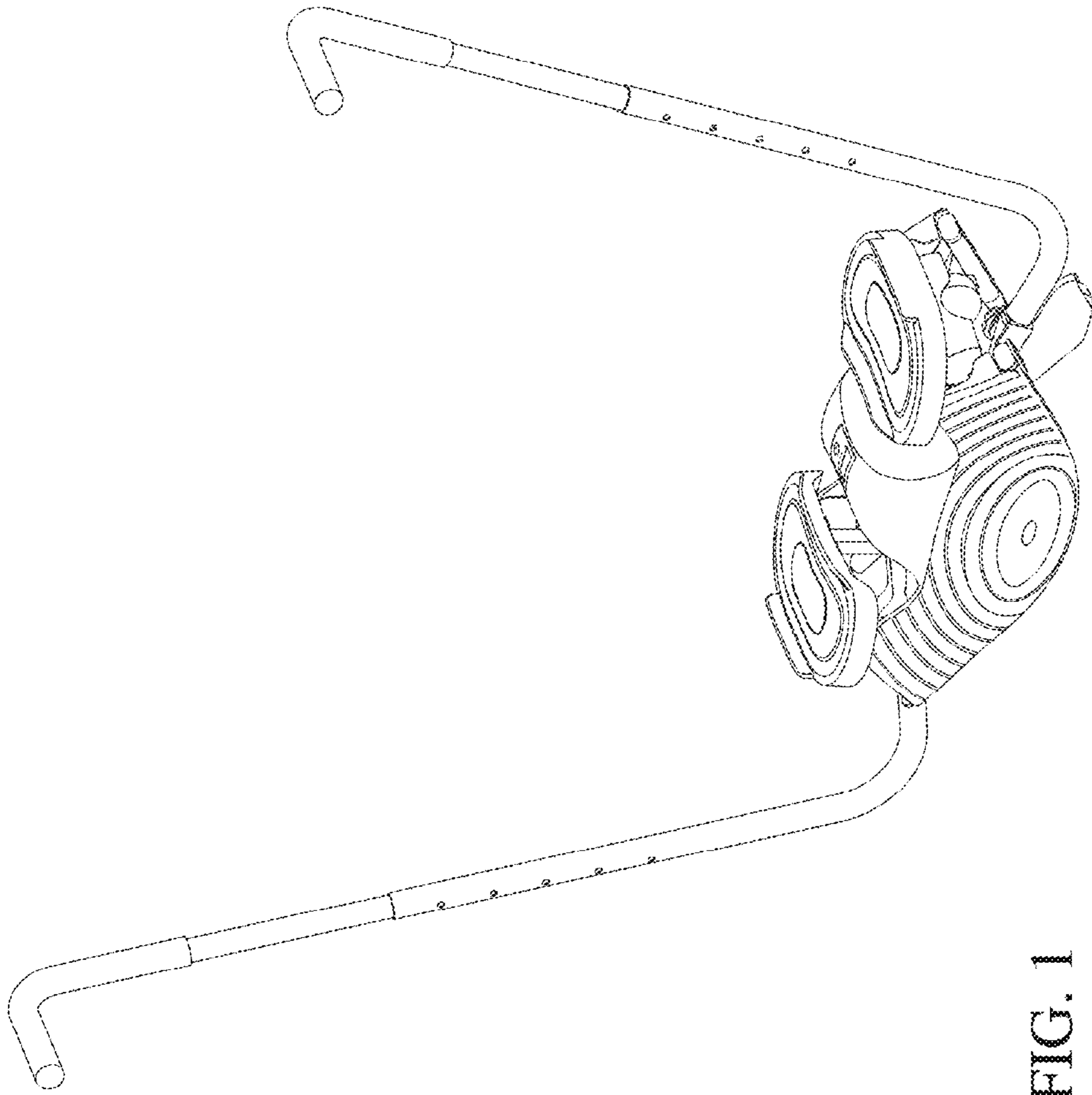


FIG. 1

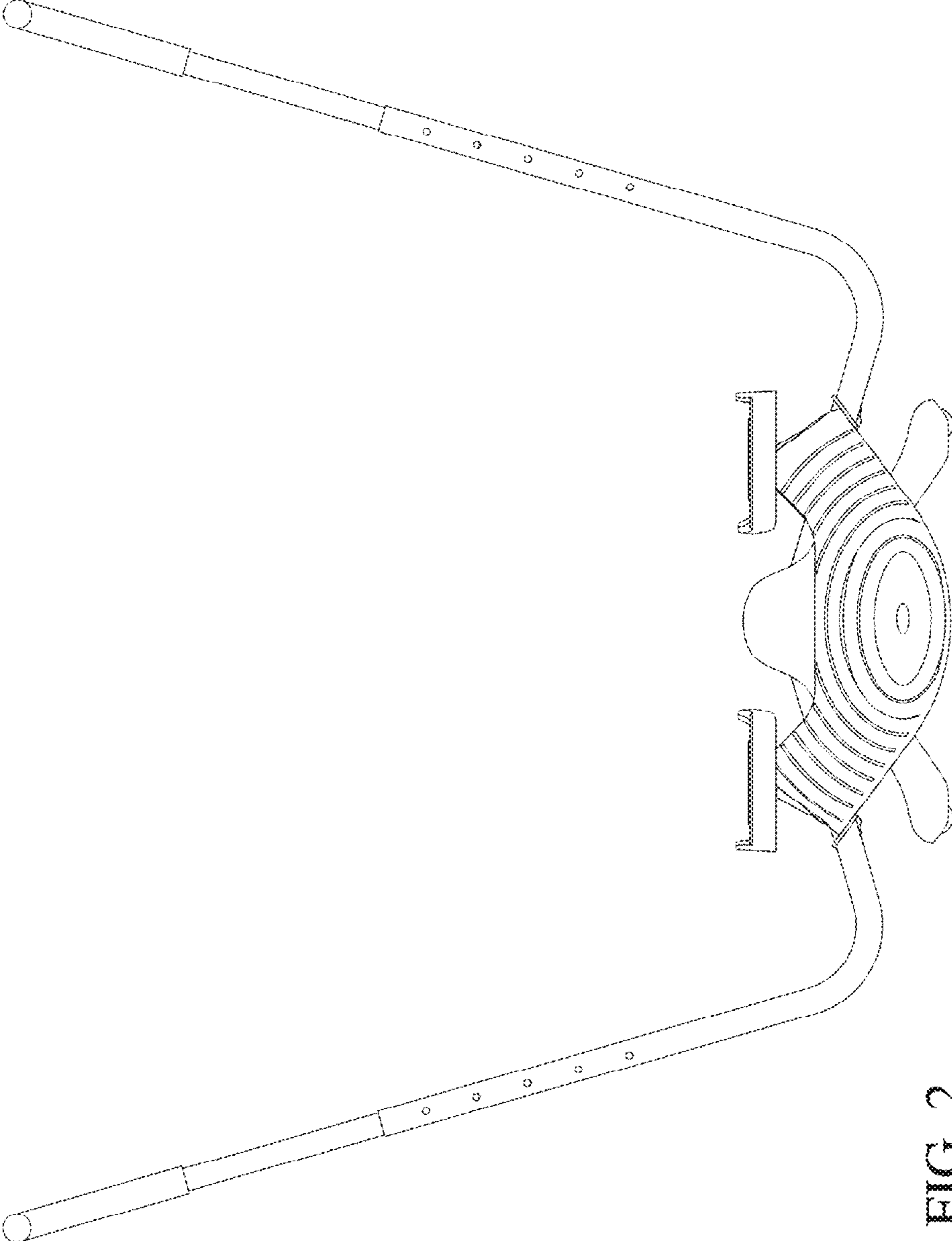


FIG. 2

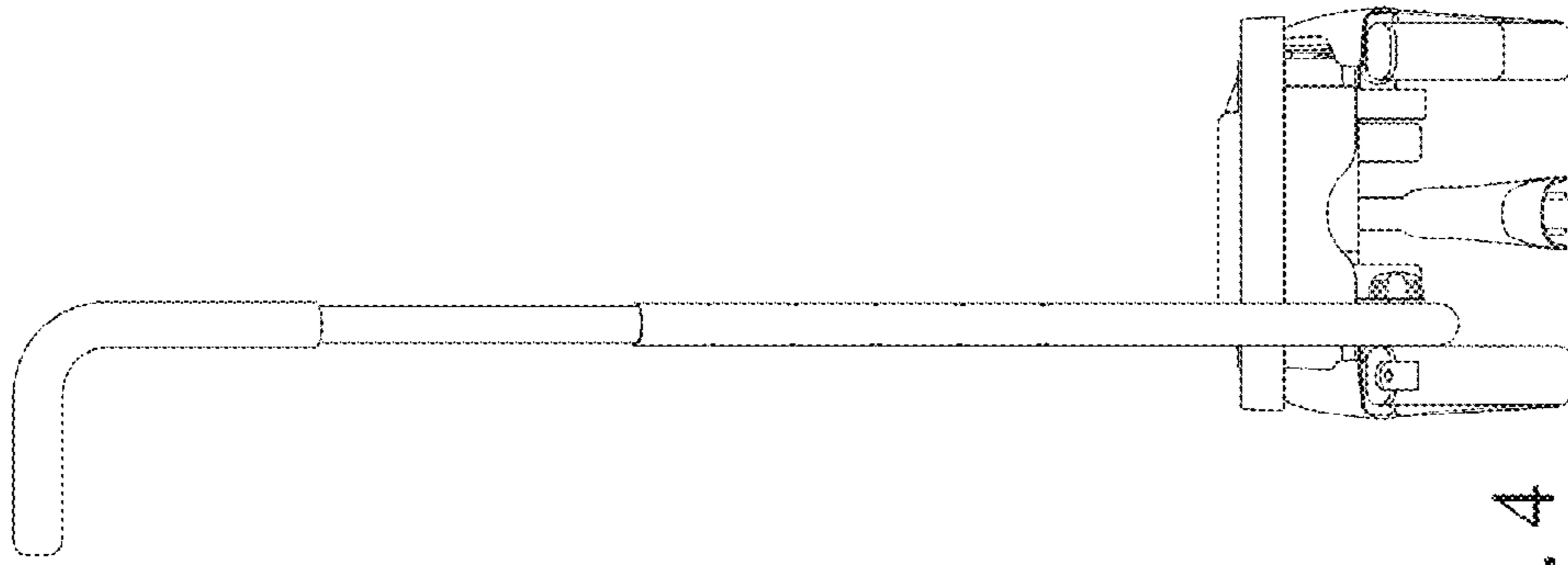


FIG. 4

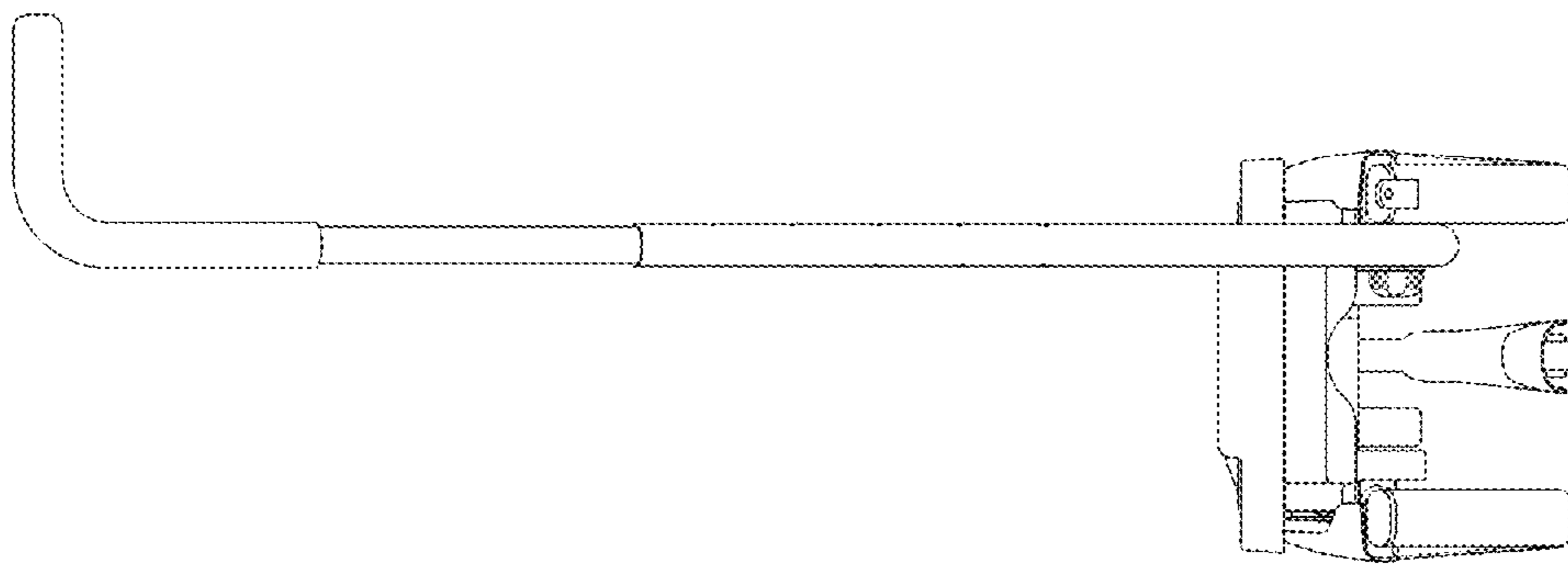


FIG. 3

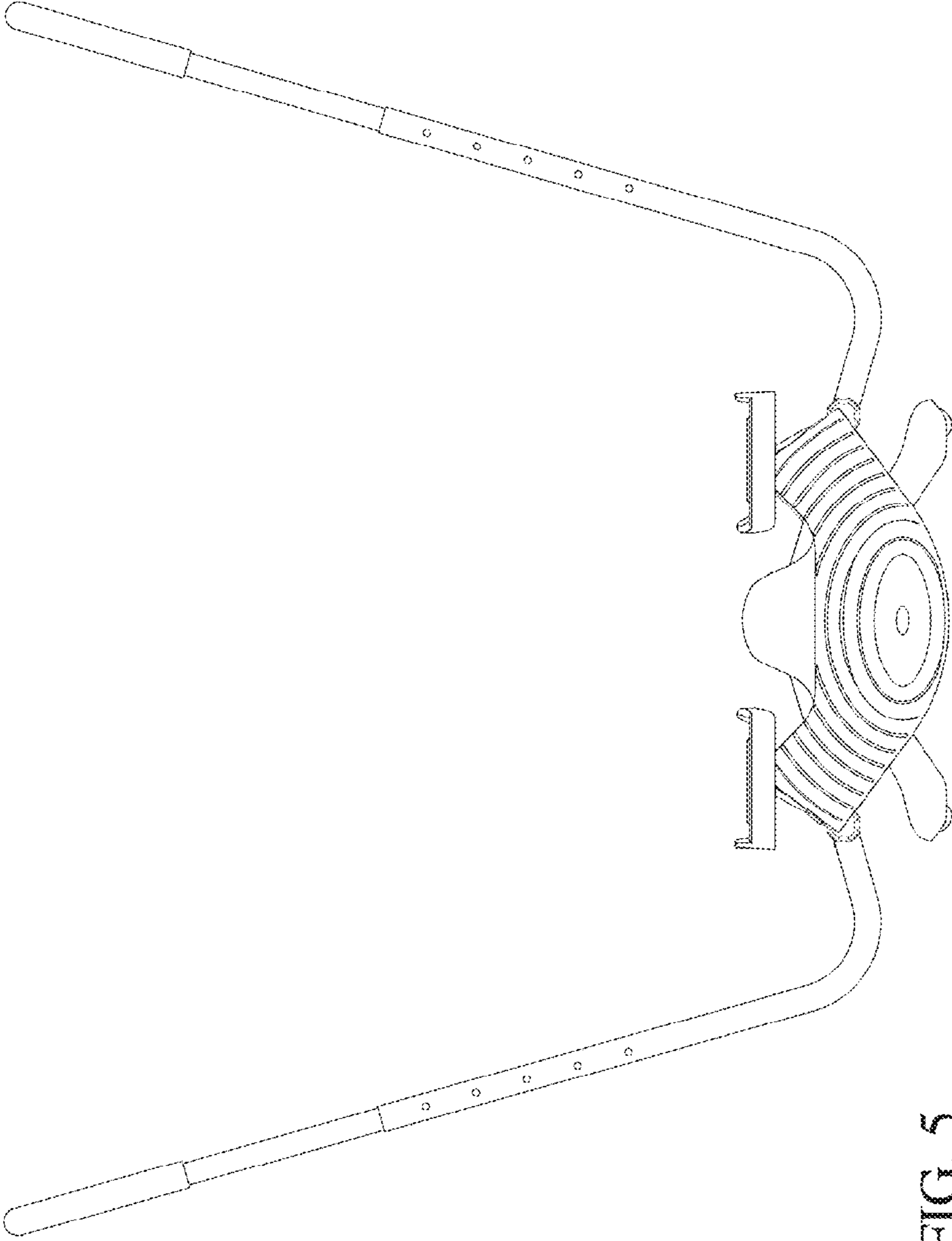


FIG. 5

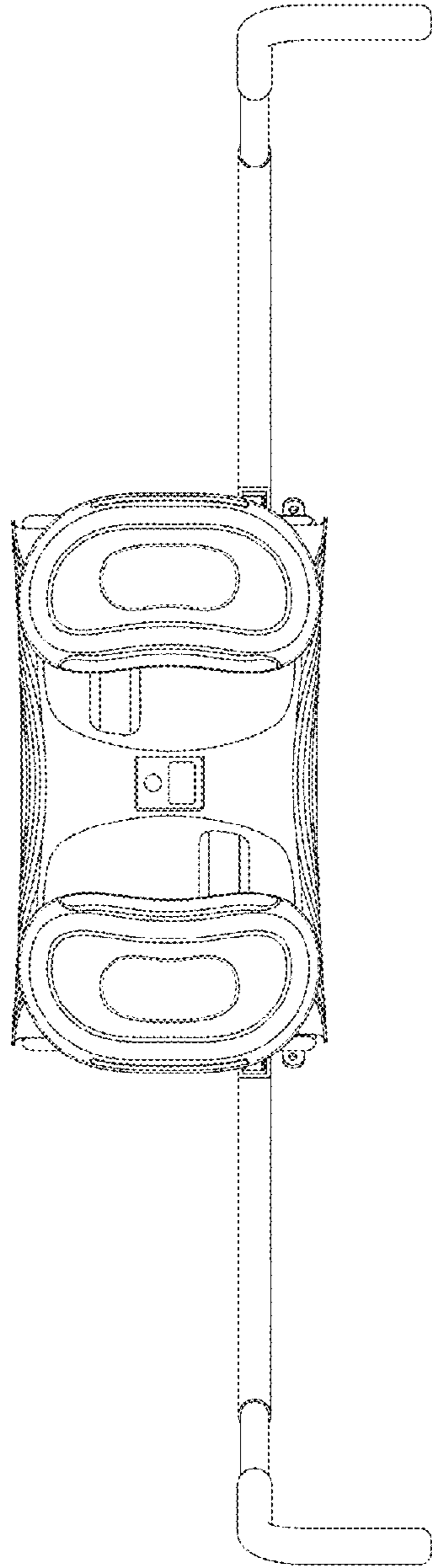


FIG. 6

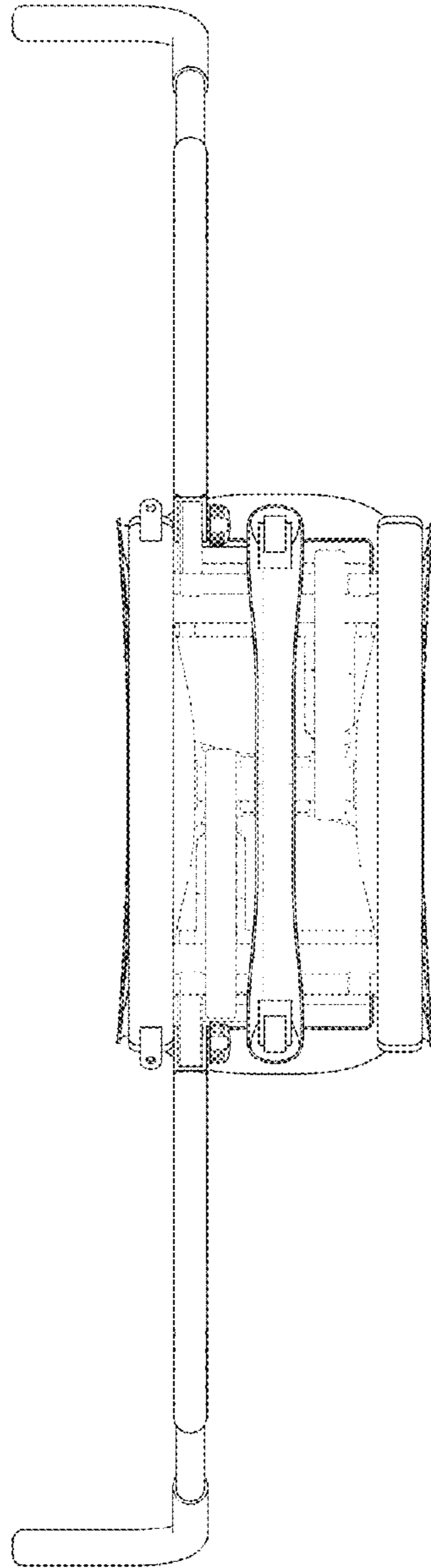


FIG. 7