

US00D667899S

(12) **United States Design Patent**
Bronston et al.

(10) **Patent No.:** **US D667,899 S**
(45) **Date of Patent:** **** Sep. 25, 2012**

(54) **EXERCISE DEVICE**

(75) Inventors: **Darya Kathleen Bronston**, Santa Barbara, CA (US); **Matthew Arf**, Santa Barbara, CA (US); **John Russell Stump**, Santa Barbara, CA (US)

(73) Assignee: **Annovium Products, LLC**, Santa Barbara, CA (US)

(**) Term: **14 Years**

(21) Appl. No.: **29/390,022**

(22) Filed: **Apr. 19, 2011**

(51) **LOC (9) Cl.** **21-02**

(52) **U.S. Cl.** **D21/662; D21/673; D21/694**

(58) **Field of Classification Search** D21/662,
D21/673, 692, 694; 482/93, 111-113, 121,
482/123, 129, 130, 139, 142, 148
See application file for complete search history.

(56) **References Cited**

U.S. PATENT DOCUMENTS

D182,660 S * 4/1958 Hastings D21/673
D209,759 S * 1/1968 Snyder D21/692
D247,789 S * 4/1978 Belkir D21/692

4,717,147 A * 1/1988 Rochelle 482/93
5,820,520 A * 10/1998 Sieber 482/34
D416,959 S * 11/1999 Tumminia D21/662
D470,201 S * 2/2003 Paul D21/692
7,250,022 B2 * 7/2007 Dalebout et al. 482/142
7,569,003 B1 * 8/2009 Huffman 482/112
7,674,209 B2 * 3/2010 Greene 482/121
D619,181 S * 7/2010 Oller D21/662
8,029,425 B2 * 10/2011 Bronston et al. 482/130
2012/0071306 A1 * 3/2012 Bronston et al. 482/139

* cited by examiner

Primary Examiner — Susan E Krakower

(74) *Attorney, Agent, or Firm* — Bacon & Thomas, PLLC

(57) **CLAIM**

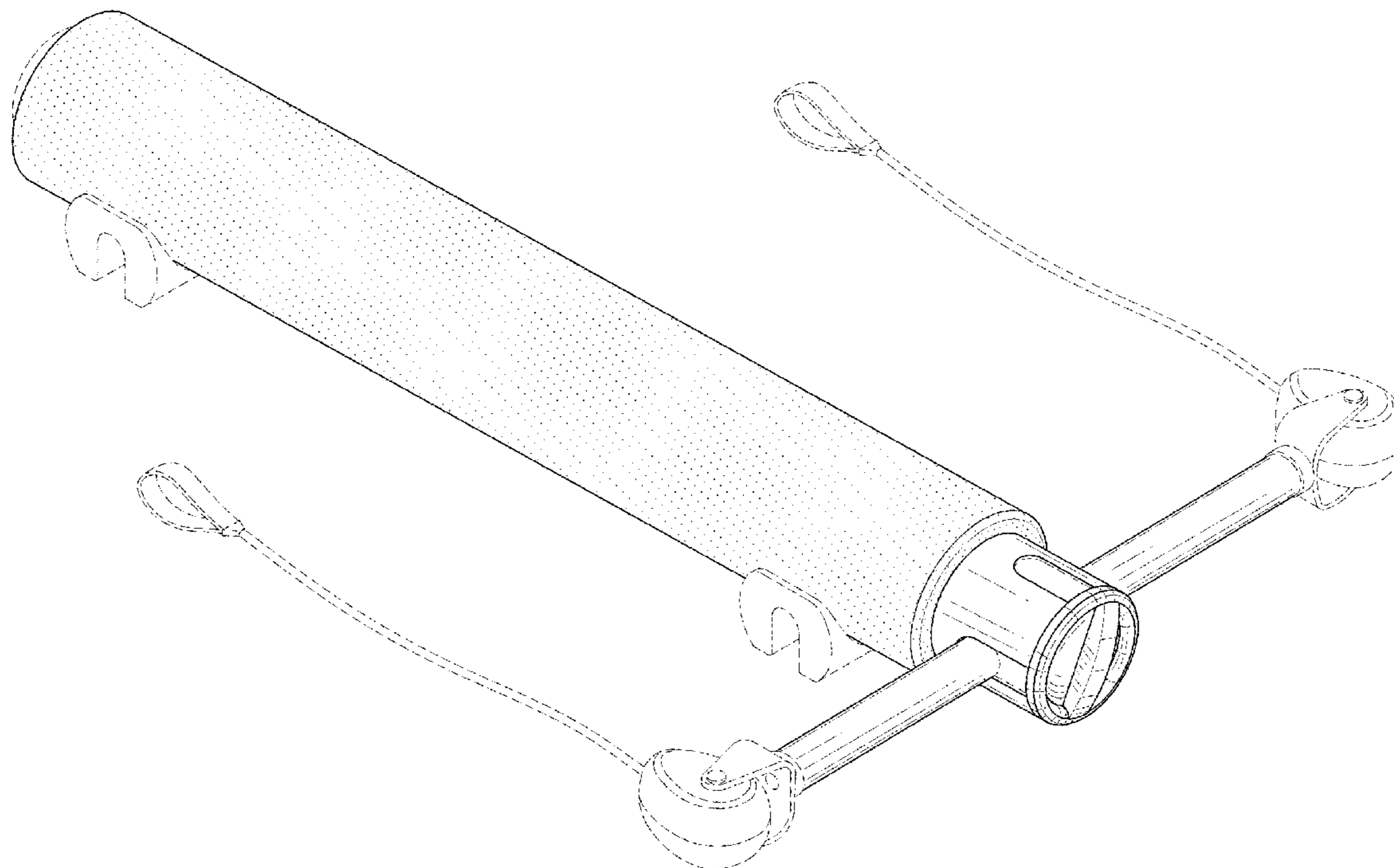
The ornamental design for an exercise device, as shown and described.

DESCRIPTION

FIG. 1 is a perspective view of an exercise device. FIG. 2 is a top plan view according to device of FIG. 1; and, FIG. 3 is a front elevational view according to device of FIG. 1.

The broken lines illustrate portions of the exercise device which form no part of the claimed design.

1 Claim, 3 Drawing Sheets



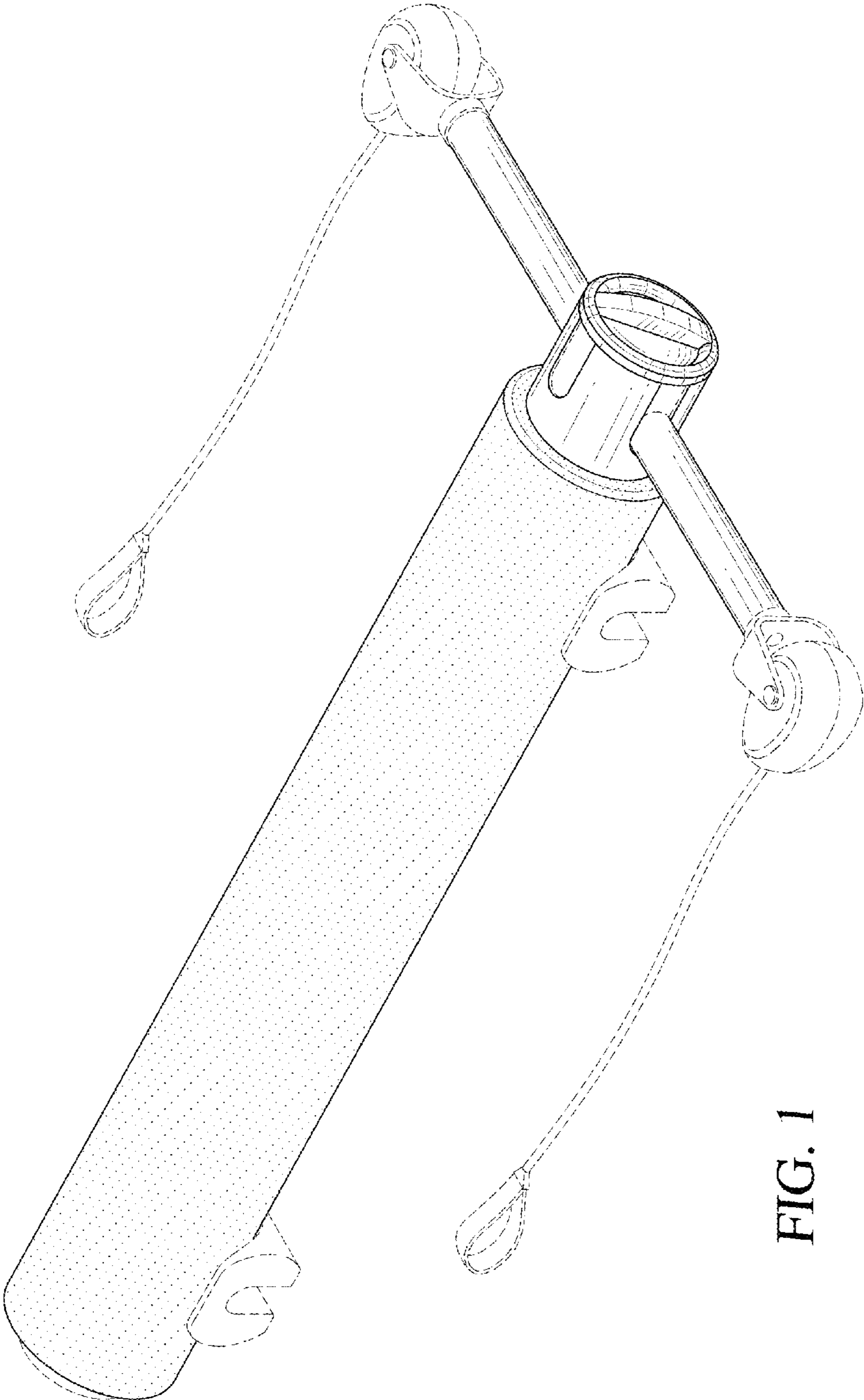


FIG. 1

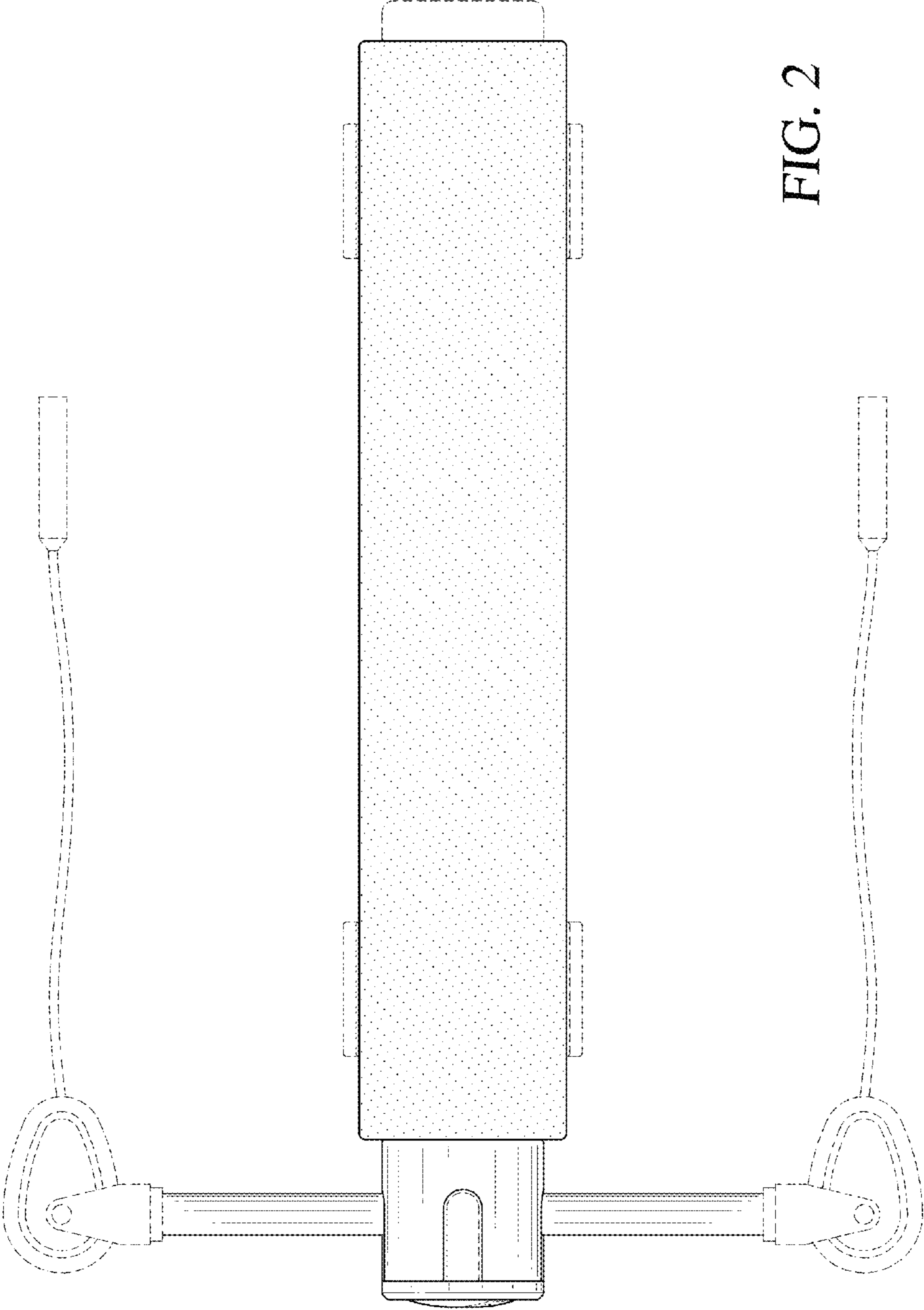


FIG. 2

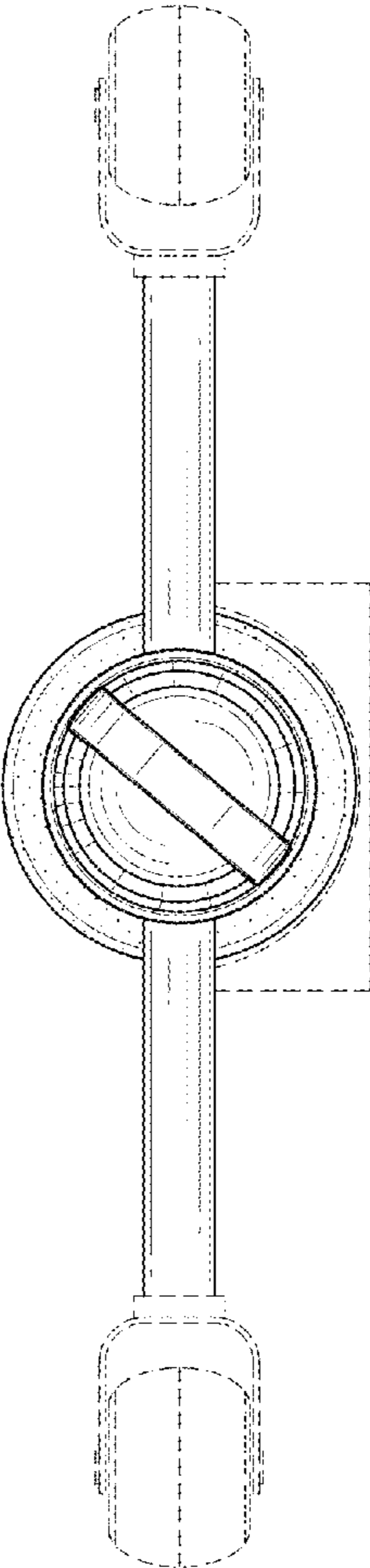


FIG. 3