



US00D667895S

(12) **United States Design Patent**
Rya

(10) **Patent No.:** **US D667,895 S**
(45) **Date of Patent:** **** Sep. 25, 2012**

(54) **BUILDING BLOCK ELEMENT OF A TOY BUILDING SET**

(75) Inventor: **Jan Rya**, Billund (DK)

(73) Assignee: **Lego A/S**, Billund (DK)

(**) Term: **14 Years**

(21) Appl. No.: **29/390,697**

(22) Filed: **Apr. 28, 2011**

(30) **Foreign Application Priority Data**

Jan. 25, 2011 (EM) 001810532-0001

(51) **LOC (9) Cl.** **21-01**

(52) **U.S. Cl.** **D21/500**

(58) **Field of Classification Search** D21/484-485,
D21/488, 491-195, 500-504; D25/113,
D25/114, 118; 446/69, 89, 92, 102-128;
434/259, 208, 403; 273/153, 156, 160

See application file for complete search history.

(56) **References Cited**

U.S. PATENT DOCUMENTS

4,789,369	A *	12/1988	Lyman	446/101
D307,775	S *	5/1990	Pedersen	D21/500
D333,850	S *	3/1993	Olsen	D21/503
D333,852	S *	3/1993	Olsen	D21/500
5,209,693	A *	5/1993	Lyman	446/104
D377,532	S *	1/1997	Lin	D25/113
5,645,463	A *	7/1997	Olsen	446/104
D389,201	S *	1/1998	Redler	D21/500
D409,683	S	5/1999	Toft		

D410,974	S	6/1999	Toft		
D412,946	S *	8/1999	Pagel	D21/500
D415,217	S *	10/1999	Rudy	D21/503
D545,919	S *	7/2007	Sorensen	D21/484
D608,400	S *	1/2010	Ryaa	D21/500
D630,264	S *	1/2011	Ryaa	D21/499

FOREIGN PATENT DOCUMENTS

AU	130210	6/1997
EM	000709589-0009	9/2007
EM	000709589-0018	9/2007
FR	975398-017	12/1997
GB	1023615	6/1985
GB	2063849	7/1997

* cited by examiner

Primary Examiner — Cynthia M Chin

(74) *Attorney, Agent, or Firm* — Day Pitney LLP

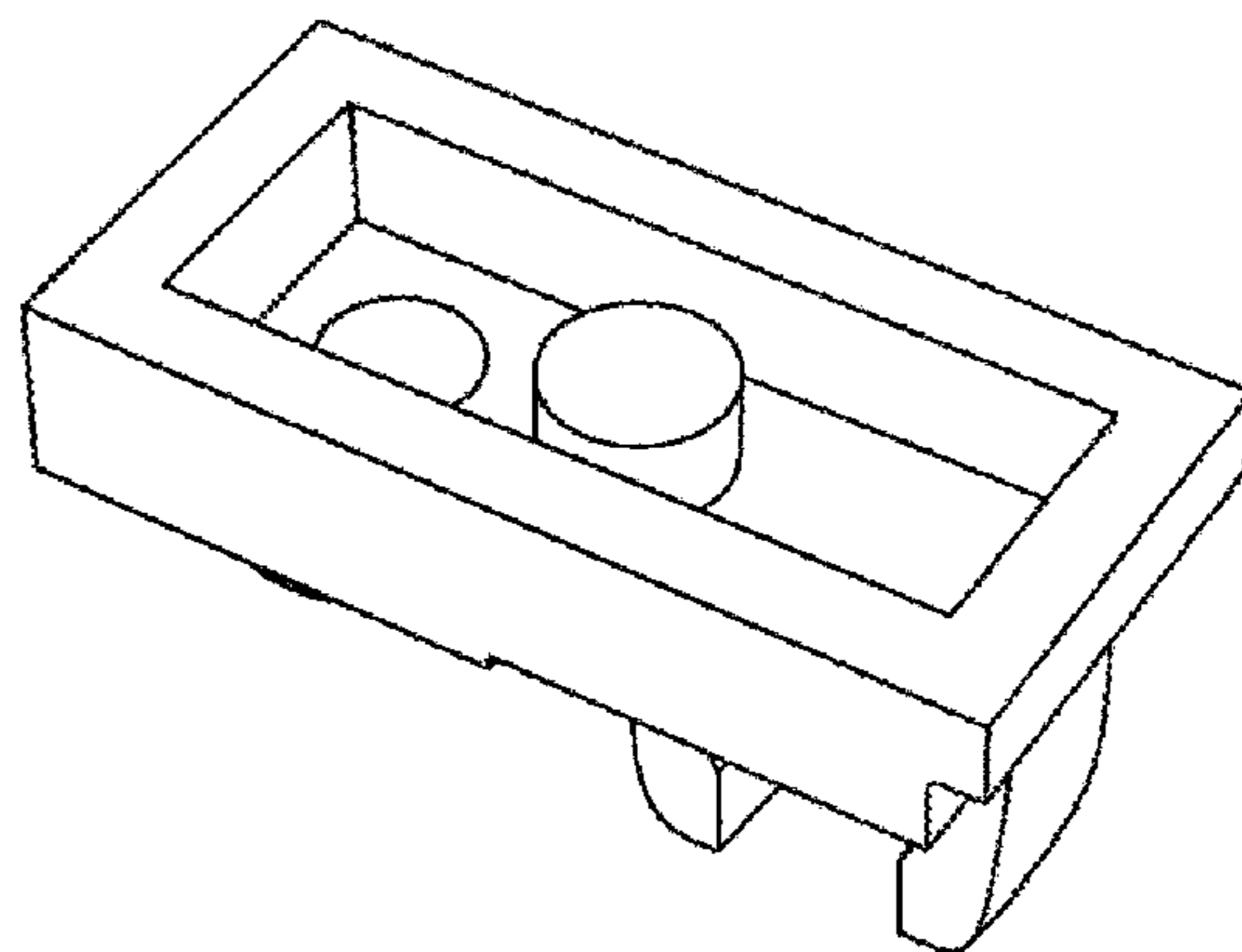
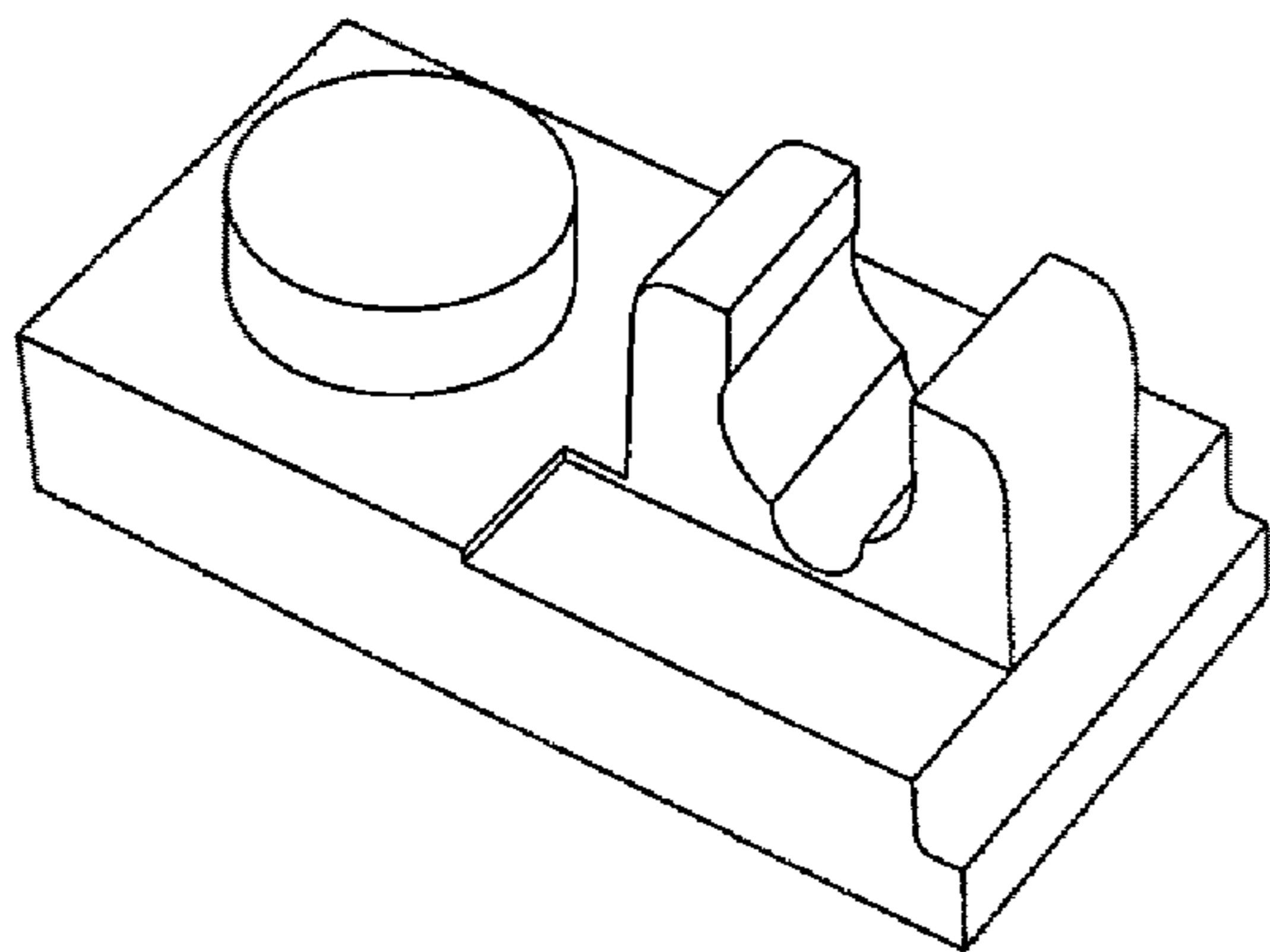
(57) **CLAIM**

The ornamental design for a building block element of a toy building set, as shown and described.

DESCRIPTION

FIG. 1 is a top perspective view of the building block element of a toy building set of my ornamental design;
FIG. 2 is a bottom perspective view thereof;
FIG. 3 is a front elevational view thereof;
FIG. 4 is a rear elevational view thereof;
FIG. 5 is a right side view thereof;
FIG. 6 is a left side view thereof;
FIG. 7 is a top plan view thereof; and,
FIG. 8 is a bottom plan view thereof.

1 Claim, 8 Drawing Sheets



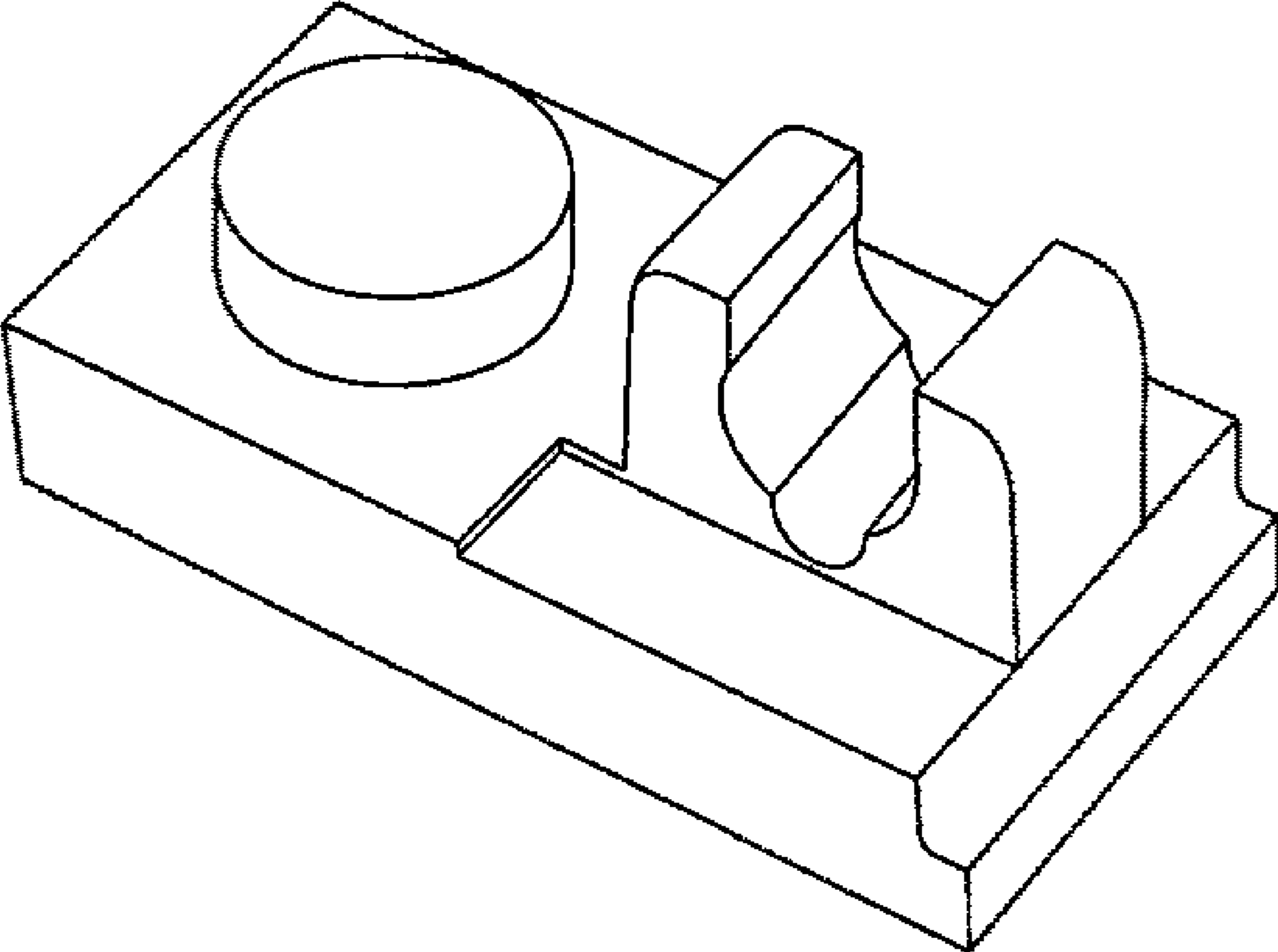


FIG. 1

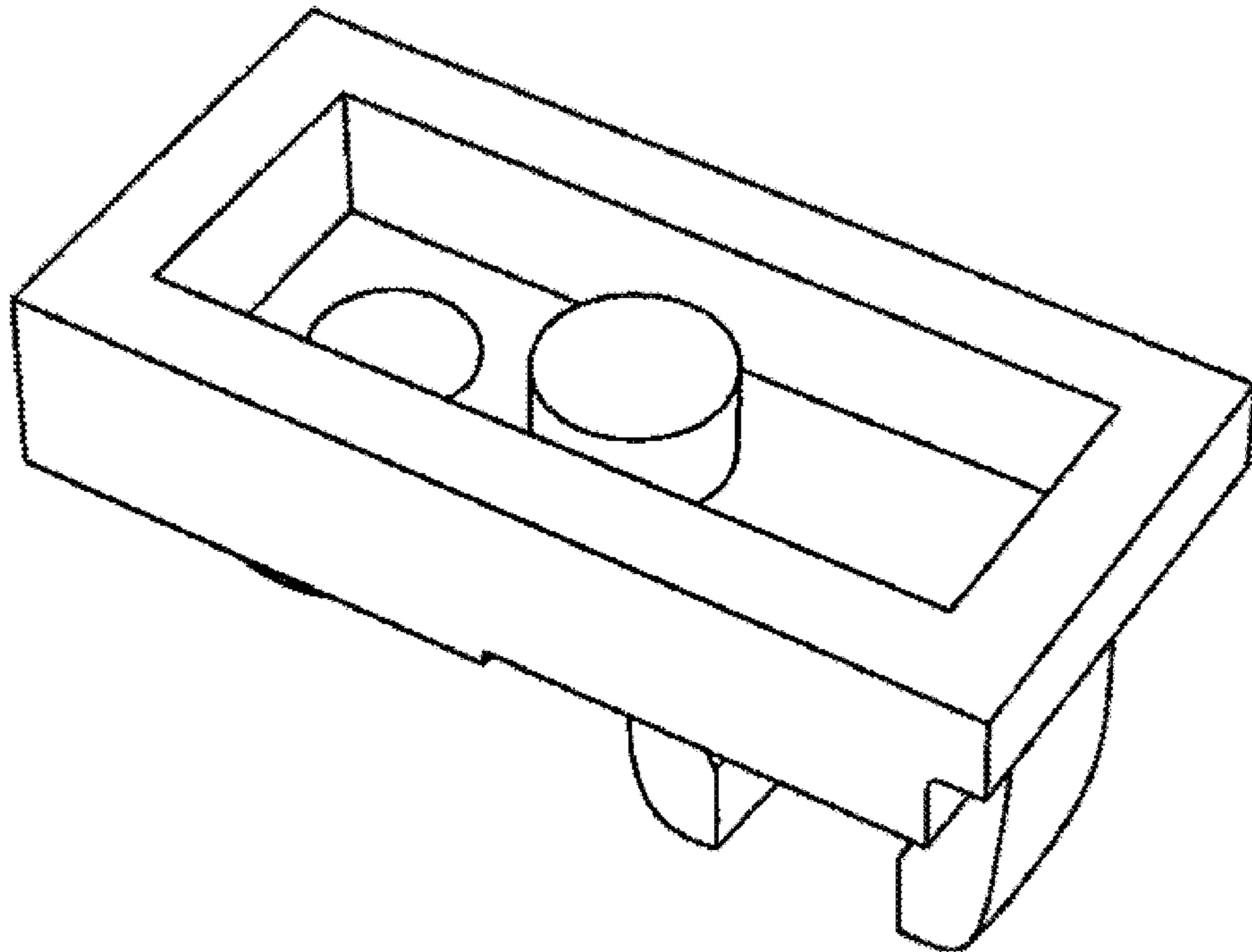


FIG. 2

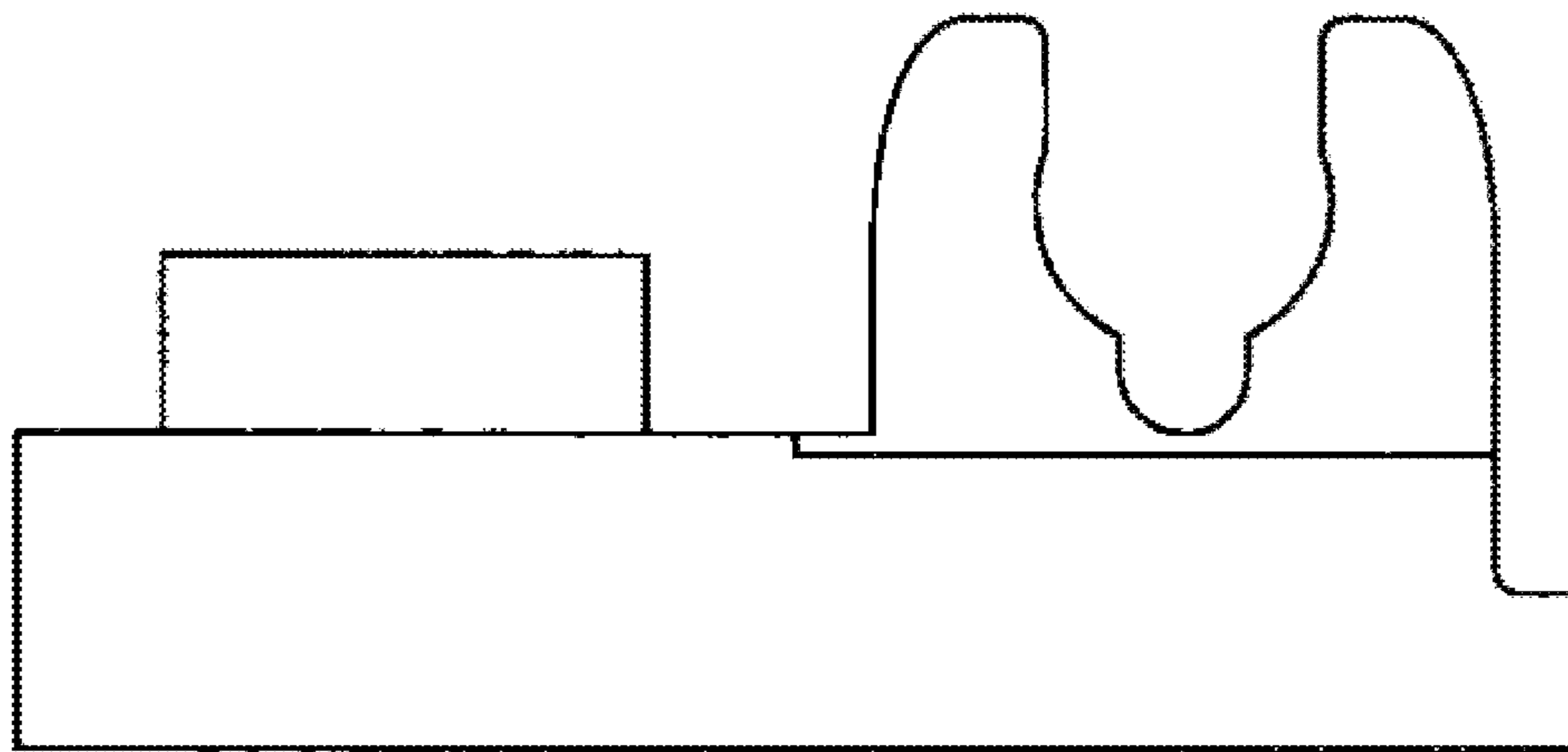


FIG. 3

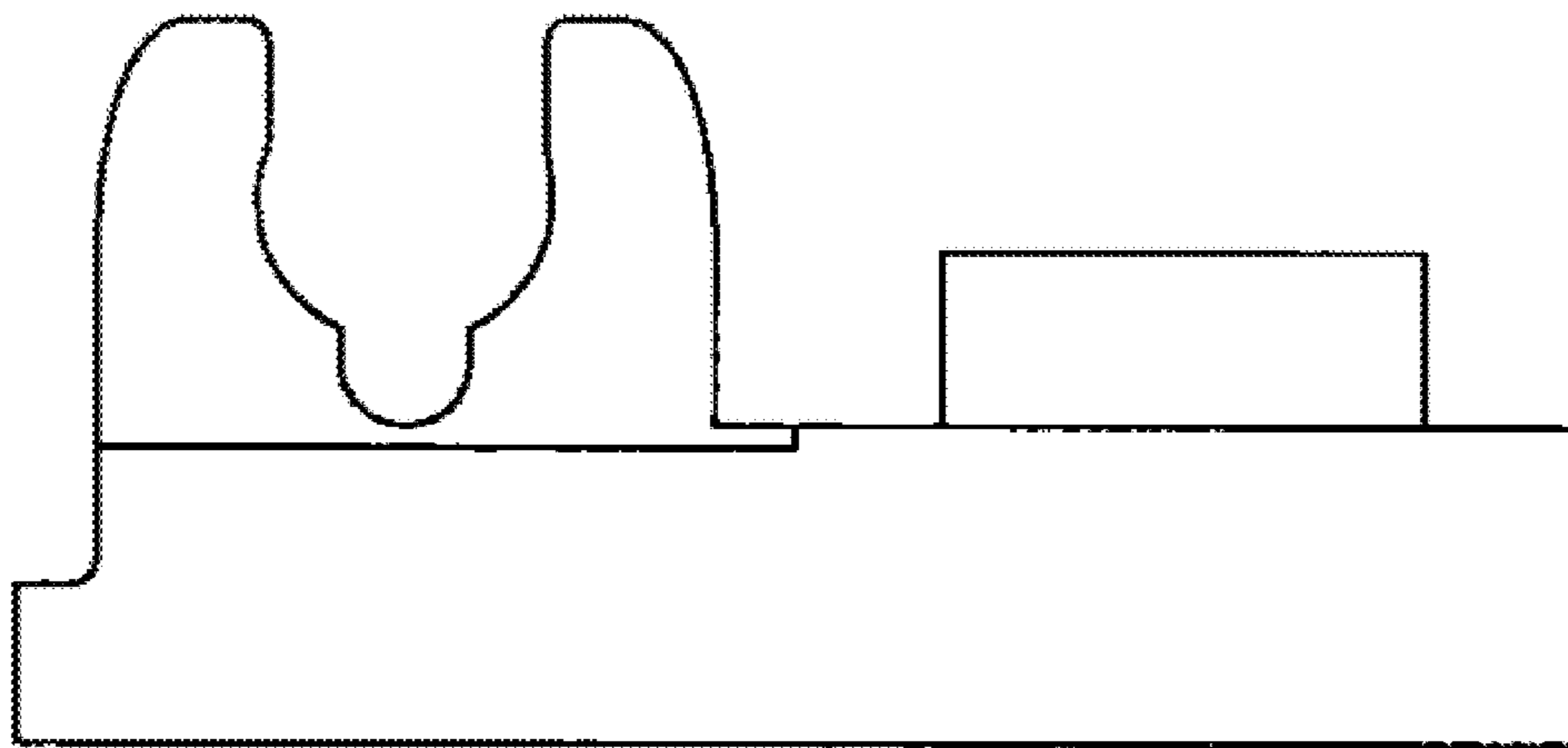


FIG. 4

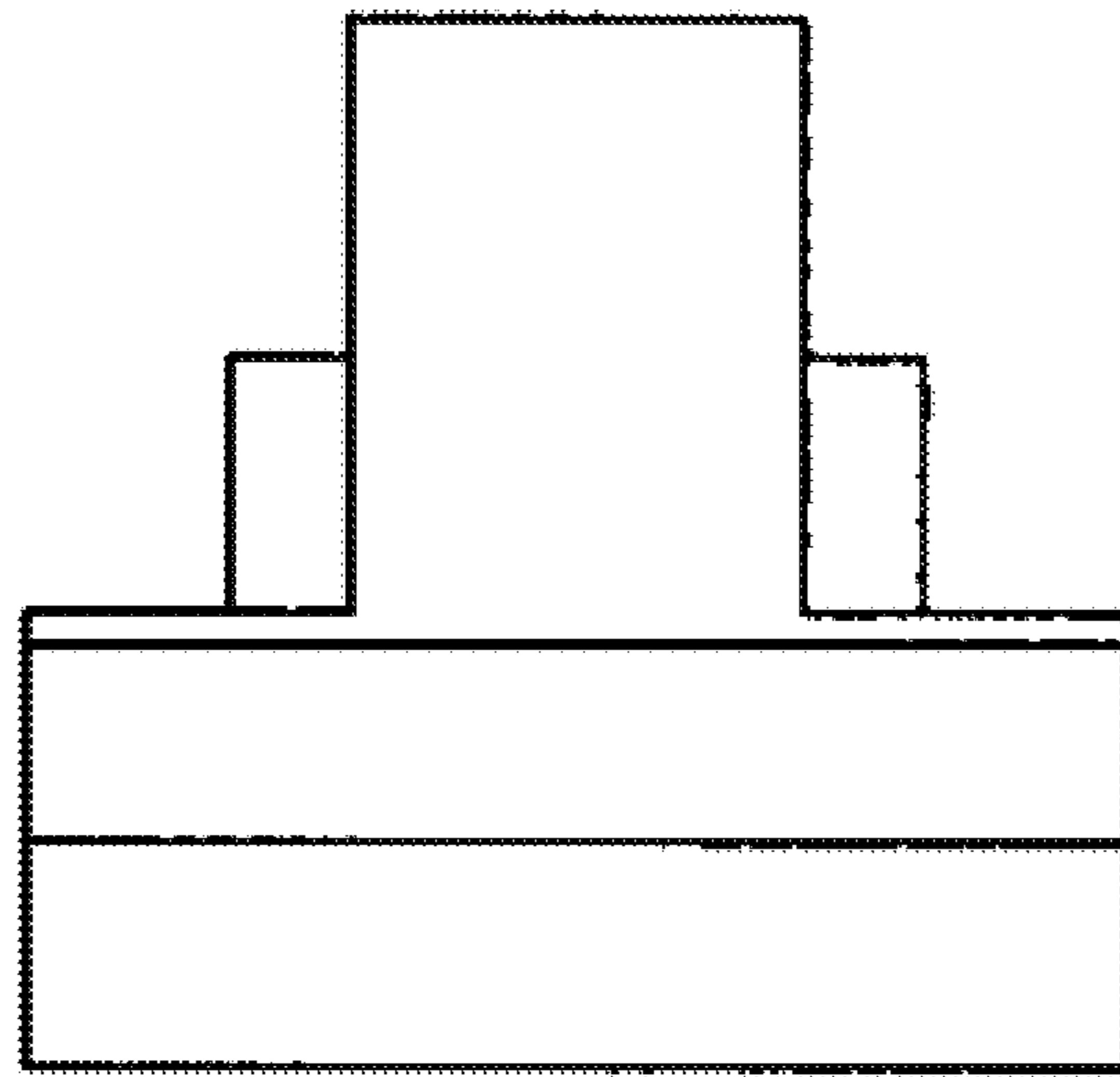


FIG. 5

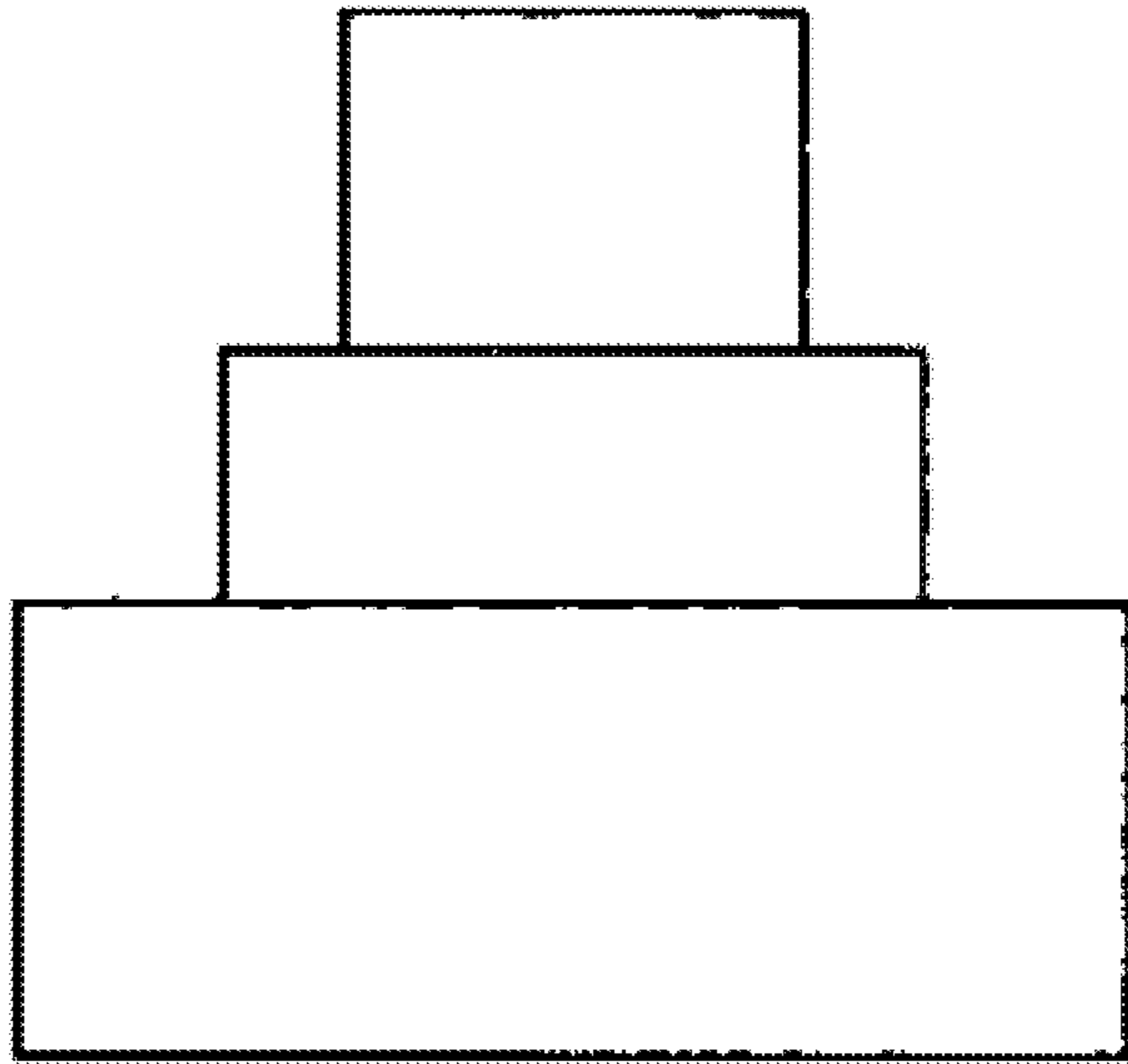


FIG. 6

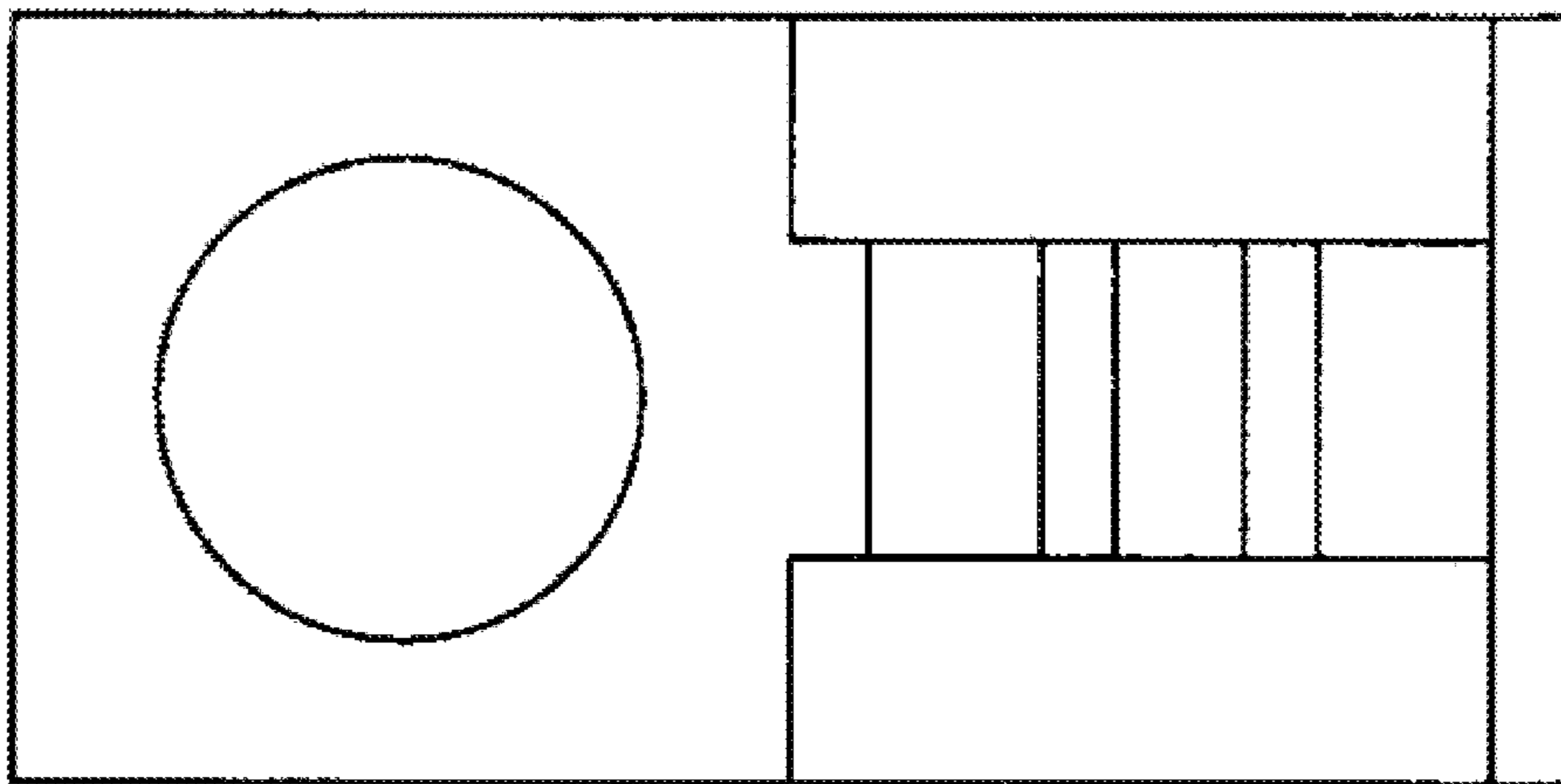


FIG. 7

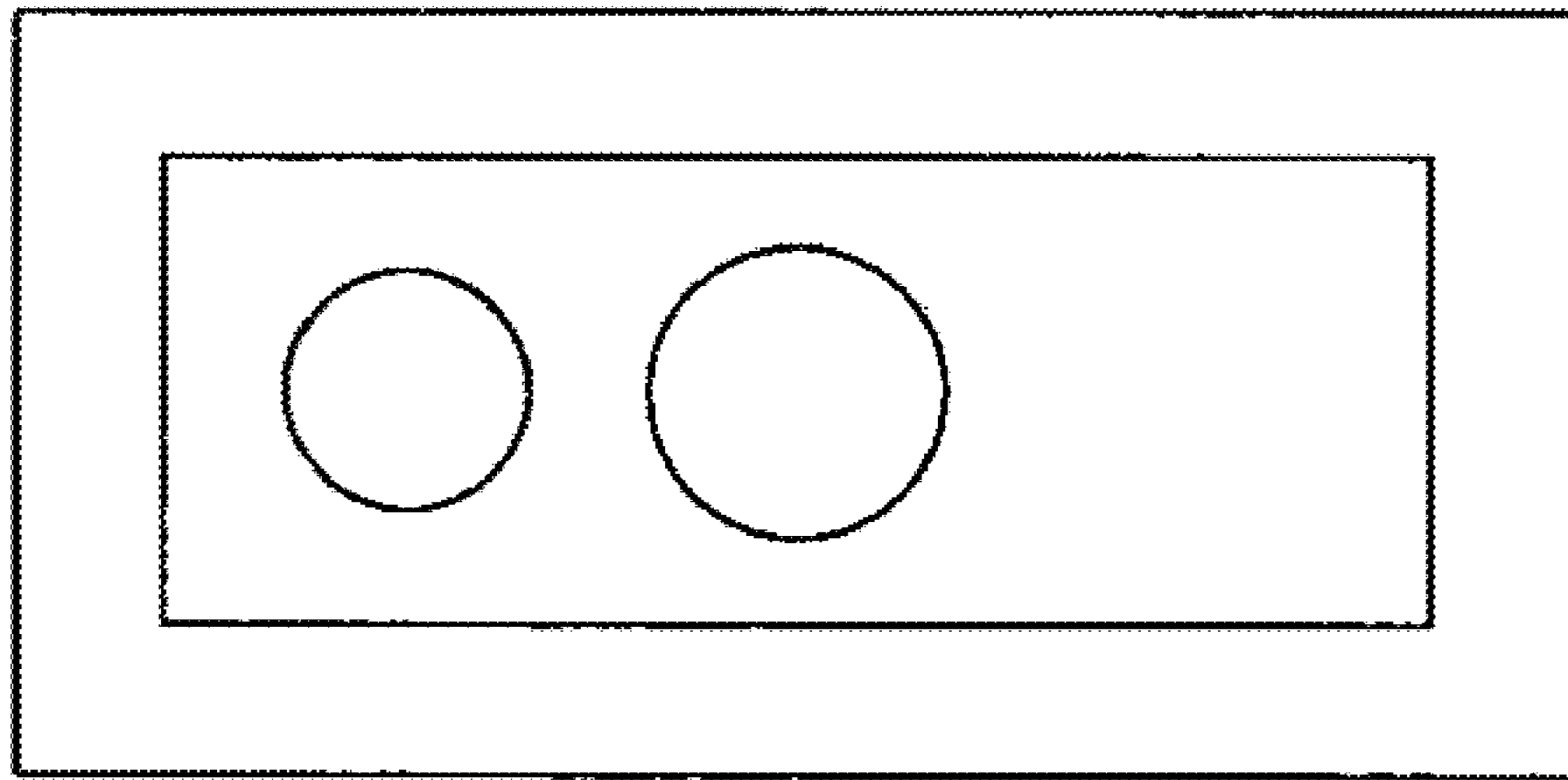


FIG. 8