



US00D667894S

(12) **United States Design Patent**  
**Horikoshi**

(10) **Patent No.:** **US D667,894 S**  
(45) **Date of Patent:** **\*\* Sep. 25, 2012**

(54) **TOY TOP**

(75) Inventor: **Kenji Horikoshi**, Tokyo (JP)

(73) Assignee: **Tomy Company, Ltd.**, Tokyo (JP)

(\*\*) Term: **14 Years**

(21) Appl. No.: **29/371,354**

(22) Filed: **Jan. 14, 2011**

3,613,295 A	10/1971	Everett
4,157,632 A	6/1979	Everett
262,610 A	1/1982	Westlake et al.
289,907 A	5/1987	Redding
4,982,961 A	1/1991	Ichimura
353,632 A	12/1994	Nonaka et al.
356,347 A	3/1995	Nonaka et al.
5,518,437 A	5/1996	Nonaka et al.
5,593,338 A	1/1997	Itoh et al.
6,604,979 B1	8/2003	Liu

(Continued)

(30) **Foreign Application Priority Data**

Jul. 14, 2010 (JP) ..... 2010-17211

(51) **LOC (9) Cl.** ..... **21-01**

(52) **U.S. Cl.** ..... **D21/460**

(58) **Field of Classification Search** ..... D21/385,  
D21/390, 398, 436, 441-444, 453-464, 561,  
D21/563, 578, 585, 592; 446/34, 46-48,  
446/217, 218, 235-266, 429, 430, 435, 450-453,  
446/486, 487, 489-491

See application file for complete search history.

(56) **References Cited**

**U.S. PATENT DOCUMENTS**

214,154 A	4/1879	Johnson
461,948 A	10/1891	Wilson
510,137 A	12/1893	Hollingsworth
615,930 A	12/1898	Warren
1,207,200 A	12/1916	Novak
1,208,431 A	12/1916	Wilcox
1,366,535 A	1/1921	Harrington
1,552,530 A	8/1921	Woods
1,668,695 A	5/1928	Pfaff
1,771,489 A	7/1930	Dochnal
155,015 A	8/1949	Krapp
2,561,601 A	7/1951	Szonnell
2,789,392 A	4/1957	Palmieri
3,110,125 A	11/1963	Gibson, Jr.
3,220,142 A	11/1965	Butterfield
3,352,055 A	11/1967	Pelkowski

**FOREIGN PATENT DOCUMENTS**

CN 2034076 3/1989

(Continued)

**OTHER PUBLICATIONS**

European Search Report in Application No. 08253264.9 dated Jun. 25, 2009.

(Continued)

*Primary Examiner* — Catherine Tuttle

(74) *Attorney, Agent, or Firm* — Stass & Halsey LLP

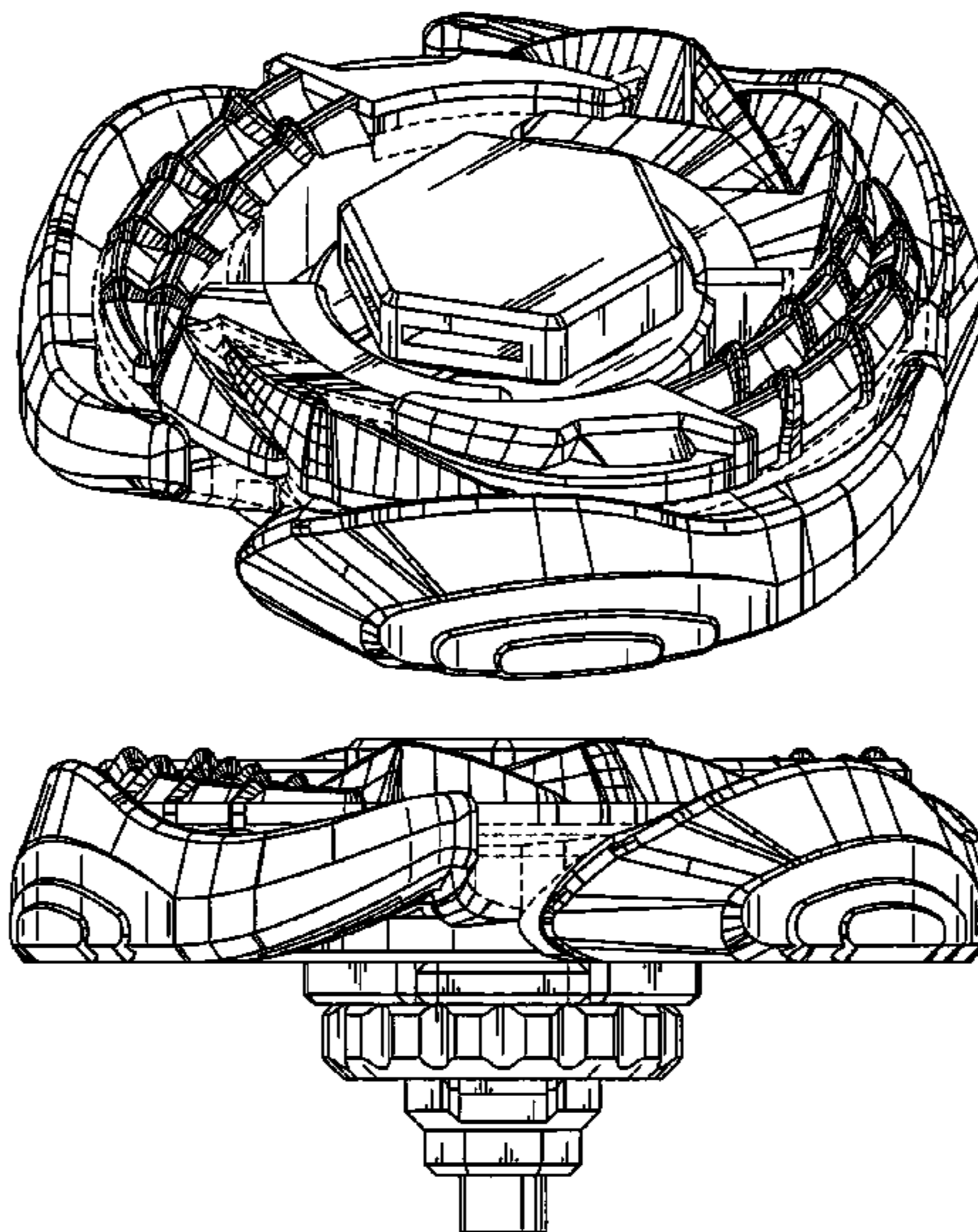
(57) **CLAIM**

The ornamental design for a toy top, as shown and described.

**DESCRIPTION**

FIG. 1 is a top perspective view of the toy top showing my design;  
FIG. 2 is a front orthographic elevation view thereof;  
FIG. 3 is a rear orthographic elevation view thereof;  
FIG. 4 is a left side elevation view thereof;  
FIG. 5 is a right side elevation view thereof;  
FIG. 6 is a top plan elevation view thereof; and,  
FIG. 7 is a bottom plan elevation view thereof.  
The broken lines are included for the purpose of illustrating portions of the toy top that form no part of the claimed design.

**1 Claim, 4 Drawing Sheets**



# US D667,894 S

Page 2

## U.S. PATENT DOCUMENTS

6,626,729	B2	9/2003	Osawa	
6,739,939	B2	5/2004	Matsukawa	
6,743,070	B1	6/2004	Lin	
6,746,300	B1	6/2004	Matsukawa	
6,905,389	B2	6/2005	Matsukawa	
7,063,589	B2	6/2006	Matsukawa et al.	
7,427,225	B2	9/2008	Matsukawa et al.	
584,366	A1	1/2009	Bowen et al.	
608,842	A1	1/2010	Nishimoto	
610,209	A1	2/2010	Nishimoto	
614,245	A1	4/2010	Ujita	
615,134	A1	5/2010	Nishimoto	
615,602	A1	5/2010	Nishimoto	
D629,051	S *	12/2010	Nishimoto	D21/460
D629,468	S *	12/2010	Ujita	D21/460
D629,469	S *	12/2010	Nishimoto	D21/460
D629,847	S *	12/2010	Ujita	D21/460
D629,848	S *	12/2010	Ujita	D21/460
D639,348	S *	6/2011	Ujita	D21/460
D639,869	S *	6/2011	Nishimoto	D21/460
2002/0102907	A1	8/2002	Osawa	
2003/0064660	A1	4/2003	Matsukawa	
2004/0198152	A1	10/2004	Matsukawa	
2005/0142983	A1	6/2005	Matsukawa et al.	
2006/0258259	A1	11/2006	Lin	
2009/0253344	A1	10/2009	Ujita et al.	
2009/0253345	A1	10/2009	Ujita et al.	

## FOREIGN PATENT DOCUMENTS

CN	3262744	11/2002
CN	3271036	1/2003
CN	3328290	* 10/2003
CN	3348660	1/2004
CN	3350220	1/2004
CN	2604212	2/2004
CN	2707340	7/2005
CN	3575984	11/2006
CN	3584728	11/2006
CN	3608255	2/2007
CN	3618938	3/2007
CN	3640746	5/2007
CN	2925561	Y 7/2007
CN	3666036	7/2007
CN	3682588	* 8/2007
CN	200948357	Y 9/2007
CN	300687773	9/2007
CN	200977395	Y 11/2007
CN	200977396	Y 11/2007
CN	200977397	Y 11/2007
CN	200977398	Y 11/2007
CN	20098446	Y 12/2007
CN	300819268	8/2008
CN	300831003	* 9/2008
CN	300837547	* 10/2008
CN	300839700	* 10/2008
CN	300839701	* 10/2008
CN	300846669	11/2008
CN	300862259	12/2008
CN	201186159	Y 1/2009
CN	300894281	3/2009
CN	201214014	Y 4/2009
CN	300901232	4/2009
CN	300909089	4/2009
CN	300925083	* 5/2009
CN	300929057	5/2009
CN	300929058	5/2009
CN	201271495	7/2009
CN	201279388	7/2009
CN	301218931	* 5/2010
DE	2002 07 253	U1 10/2002
EM	001203707-0003	* 4/2010
EM	001215826-0001	* 5/2010
EP	077438	4/1983
EP	2133128	12/2009
JP	3067318	1/2000
JP	3071356	8/2000
JP	3156926	2/2001

JP	3079301	5/2001
JP	3083515	11/2001
JP	3092120	12/2002
JP	2003-103062	A 4/2003
JP	2003-320174	11/2003
JP	2005-245796	9/2005
JP	2005-328976	12/2005
JP	2006-055333	3/2006
JP	3142474	U 5/2008
JP	3149383	U 3/2009
KR	300520344.0000	2/2000
KR	300443240.0000	3/2007
KR	300520338.0000	1/2009
KR	300520339.0000	2/2009
KR	300520342.0000	* 2/2009
KR	300520343.0000	2/2009
WO	WO 2006/133274	12/2006

## OTHER PUBLICATIONS

U.S. Copyright Registration No. VA1-151-590 dated Nov. 15, 2002 with deposit copy.

U.S. Copyright Registration No. VA1-151-591 dated Nov. 15, 2002 with deposit copy.

U.S. Copyright Registration No. VA1-151-593 dated Nov. 15, 2002 with deposit copy.

U.S. Copyright Registration No. VA1-172-925 dated Oct. 22, 2002 with deposit copy.

U.S. Copyright Registration No. VA1-172-935 dated Oct. 22, 2002 with deposit copy.

Specimen filed in U.S. Trademark Registration No. 3,002,216 on Jul. 11, 2005.

Apr. 2, 2009 Office Action in co-pending U.S. Appl. No. 29/309,758.

Apr. 7, 2009 Notice of Allowance in co-pending U.S. Appl. No. 29/309,762.

Apr. 7, 2009 Notice of Allowance in co-pending U.S. Appl. No. 29/309,764.

Apr. 15, 2009 Office Action in co-pending U.S. Appl. No. 29/309,759.

Apr. 15, 2009 Office Action in co-pending U.S. Appl. No. 29/309,761.

Apr. 15, 2009 Office Action in co-pending U.S. Appl. No. 29/309,766.

Apr. 16, 2009 Office Action in co-pending U.S. Appl. No. 29/309,768.

Sep. 3, 2009 Notice of Allowance in co-pending U.S. Appl. No. 29/309,762.

Sep. 3, 2009 Notice of Allowance in co-pending U.S. Appl. No. 29/309,764.

Office Action mailed Nov. 27, 2009 in co-pending U.S. Appl. No. 29/311,821.

Office Action mailed Nov. 27, 2009 in co-pending U.S. Appl. No. 29/311,775.

Notice of Allowance mailed Nov. 30, 2009 in co-pending U.S. Appl. No. 29/309,766.

Notice of Allowance mailed Nov. 30, 2009 in co-pending U.S. Appl. No. 29/309,758.

Notice of Allowance mailed Dec. 1, 2009 in co-pending U.S. Appl. No. 29/311,777.

Office Action mailed Apr. 21, 2010 in co-pending U.S. Appl. No. 29/311, 821.

Office Action mailed Jul. 6, 2010 in co-pending U.S. Appl. No. 29/311,775.

Notice of Allowance mailed Aug. 16, 2010 in U.S. Appl. No. 29/347,645.

Office Action mailed Aug. 18, 2010 in U.S. Appl. No. 29/347,147.

Notice of Allowance mailed Aug. 19, 2010 in U.S. Appl. No. 29/311,776.

Notice of Allowance mailed Aug. 20, 2010 in U.S. Appl. No. 29/347,188.

Notice of Allowance mailed Aug. 30, 2010 in U.S. Appl. No. 29/347,646.

U.S. Appl. No. 12/285,877, filed Oct. 15, 2008, Ujita et al., Tomy Company, Ltd.

# US D667,894 S

Page 3

---

U.S. Appl. No. 29/311,775, filed Jun. 17, 2009, Ujita, Tomy Company, Ltd.

U.S. Appl. No. 29/347,147, filed Sep. 28, 2009, Nishimoto, Tomy Company, Ltd.

U.S. Appl. No. 12/659,660, filed Mar. 16, 2010, Ujita, Tomy Company, Ltd.

U.S. Appl. No. 29/347,730, filed Apr. 26, 2010, Ujita, Tomy Company, Ltd.

U. S. Appl. No. 29/347,838, filed Jun. 21, 2010, Nishimoto, Tomy Company, Ltd.

U.S. Appl. No. 29/347,888, filed Jul. 12, 2010, Ujita, Tomy Company, Ltd.

U.S. Appl. No. 12/805,627, filed Aug. 10, 2010, Ujita et al., Tomy Company, Ltd.

U.S. Appl. No. 12/895,196, filed Sep. 30, 2010, Ujita et al., Tomy Company, Ltd.

U.S. Appl. No. 12/895,241, filed Sep. 30, 2010, Ujita et al., Tomy Company, Ltd.

\* cited by examiner

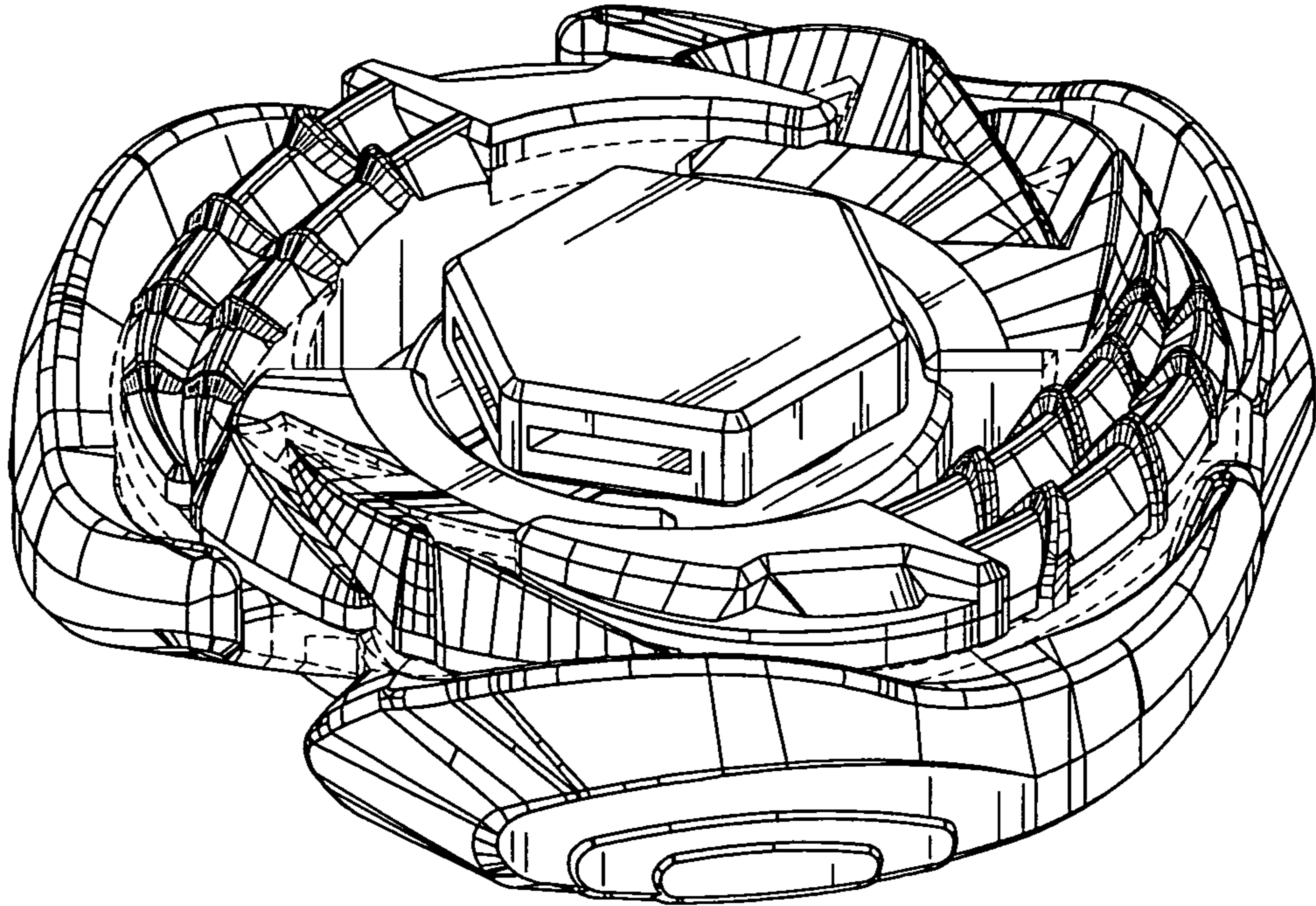


FIG. 1

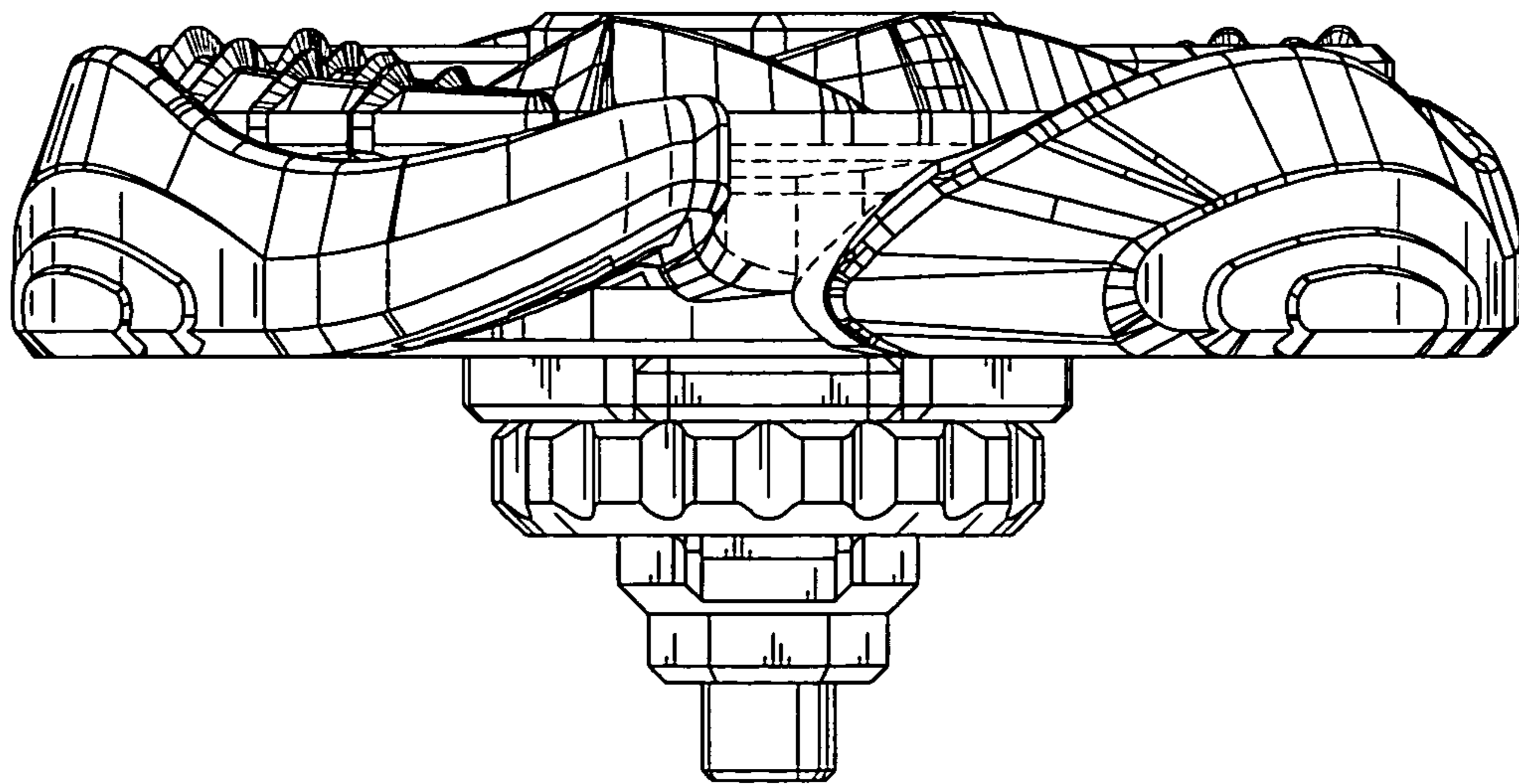


FIG. 2

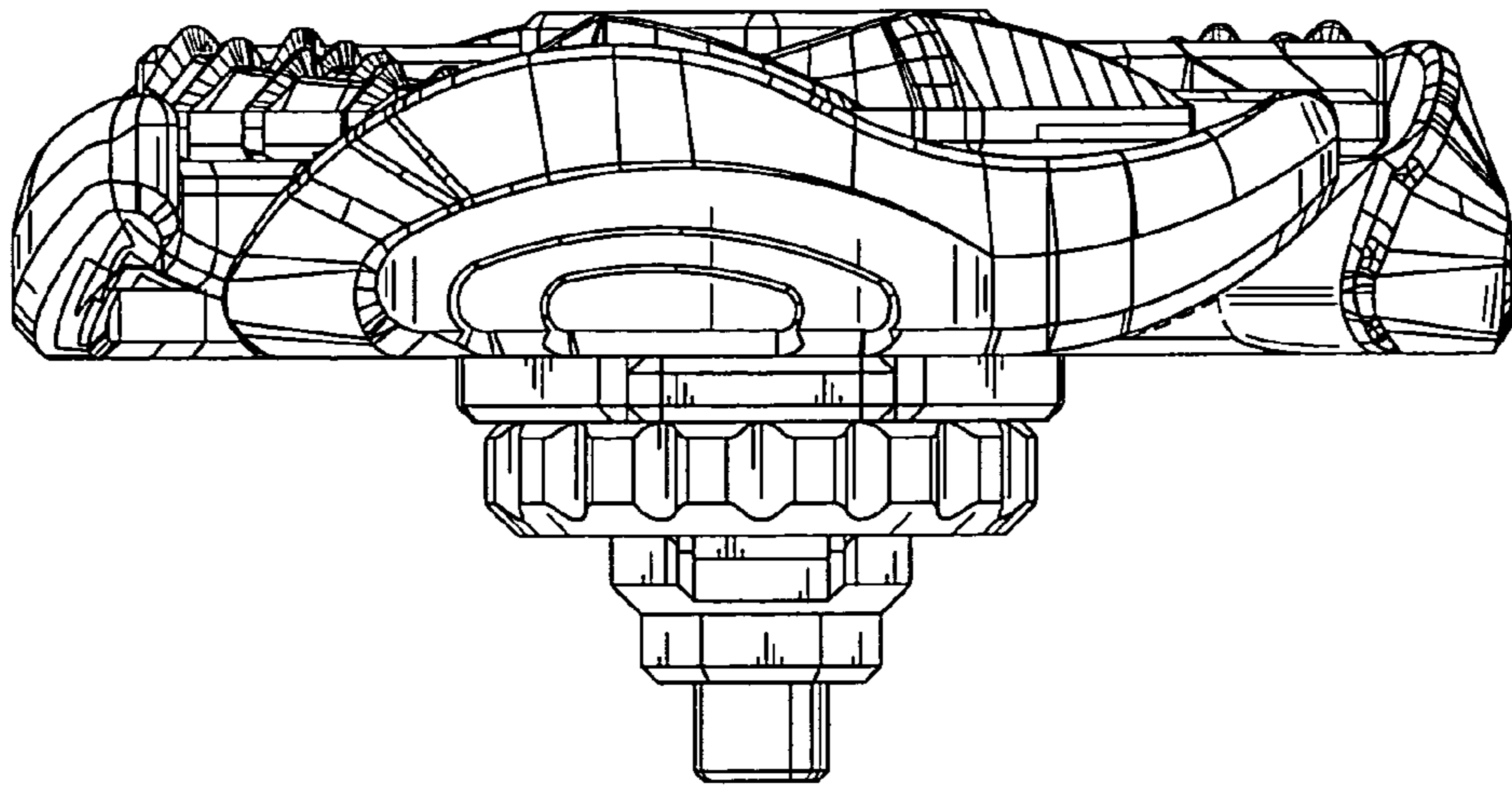


FIG. 3

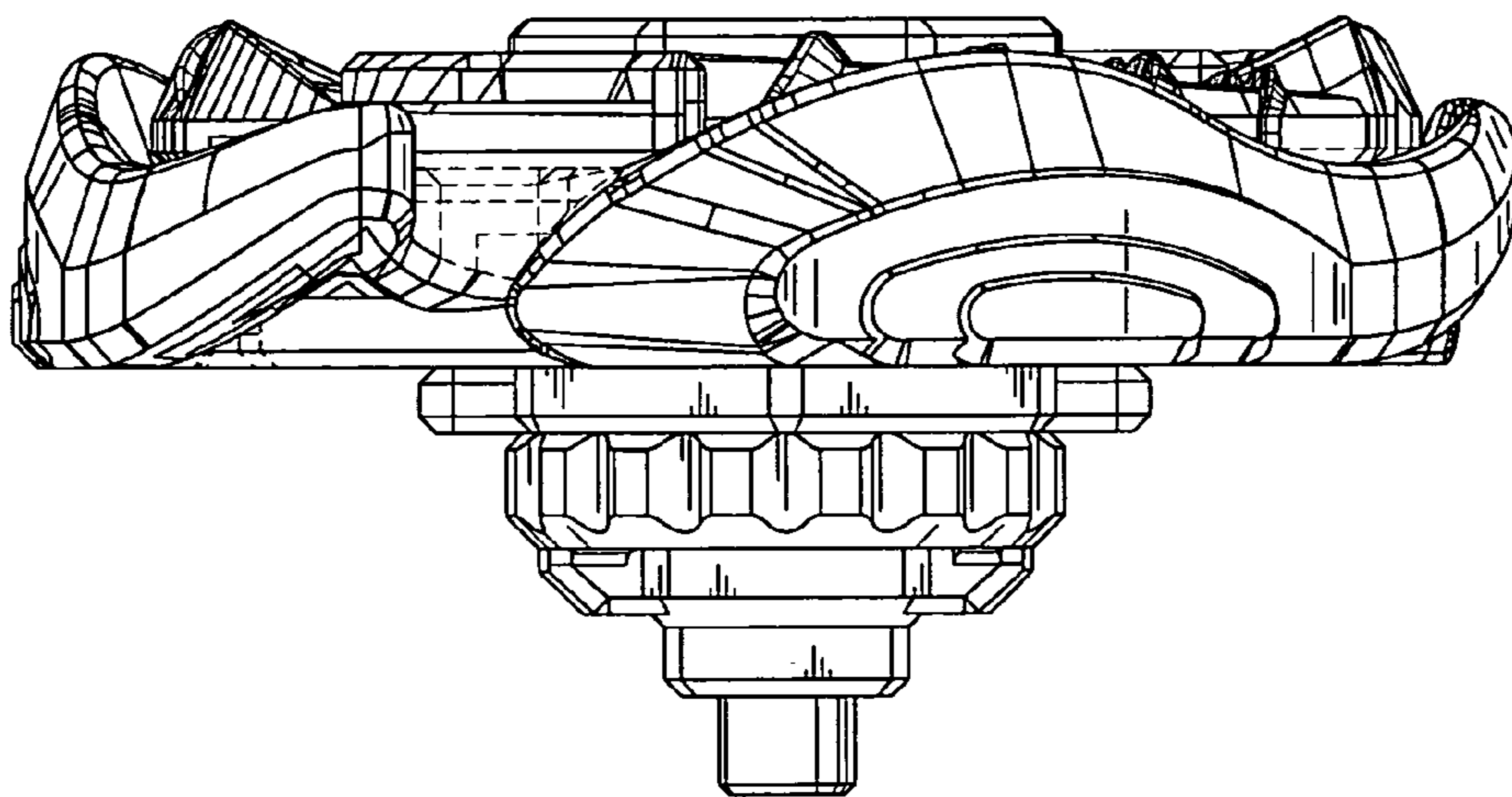


FIG. 4

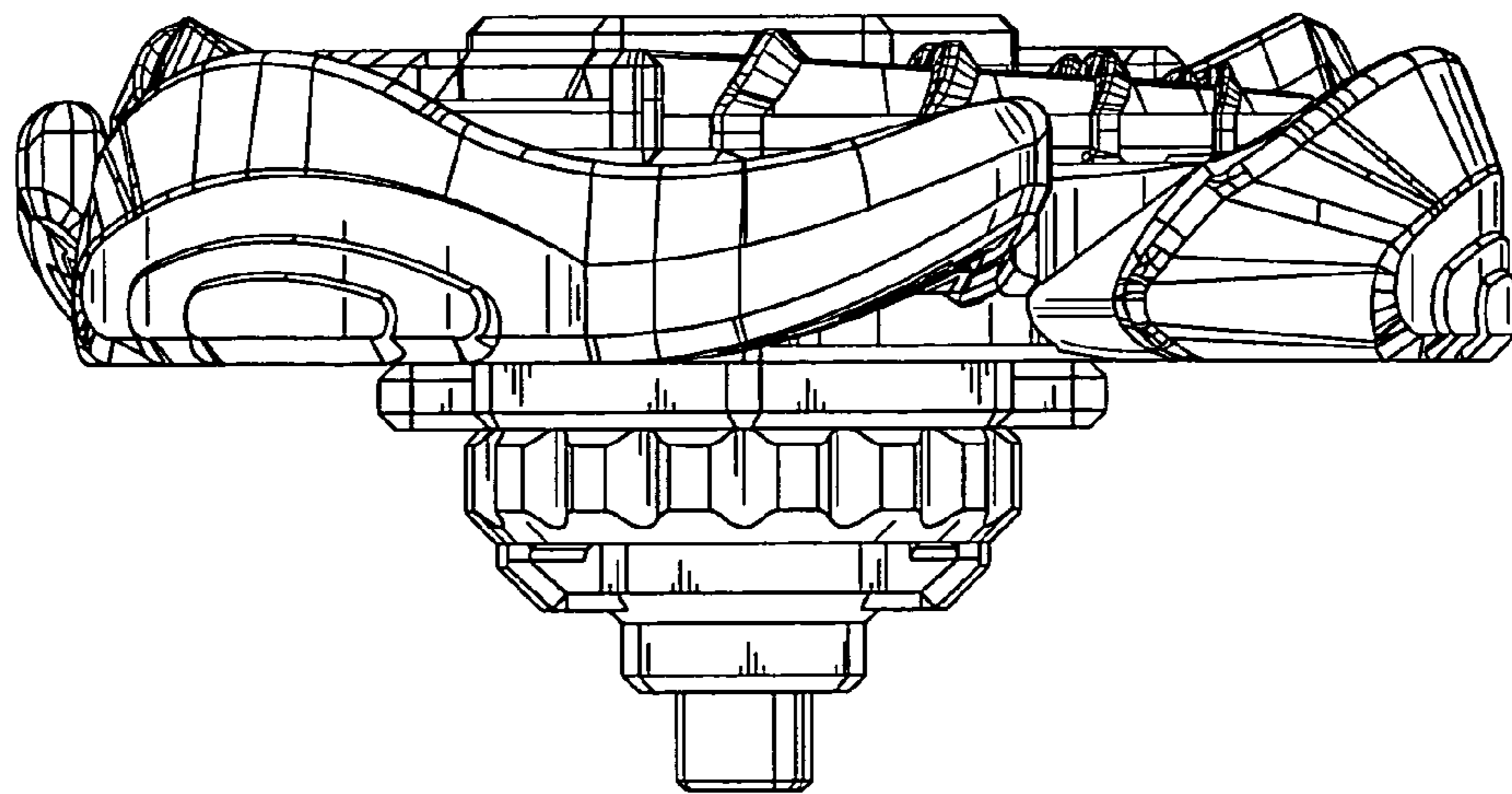


FIG. 5

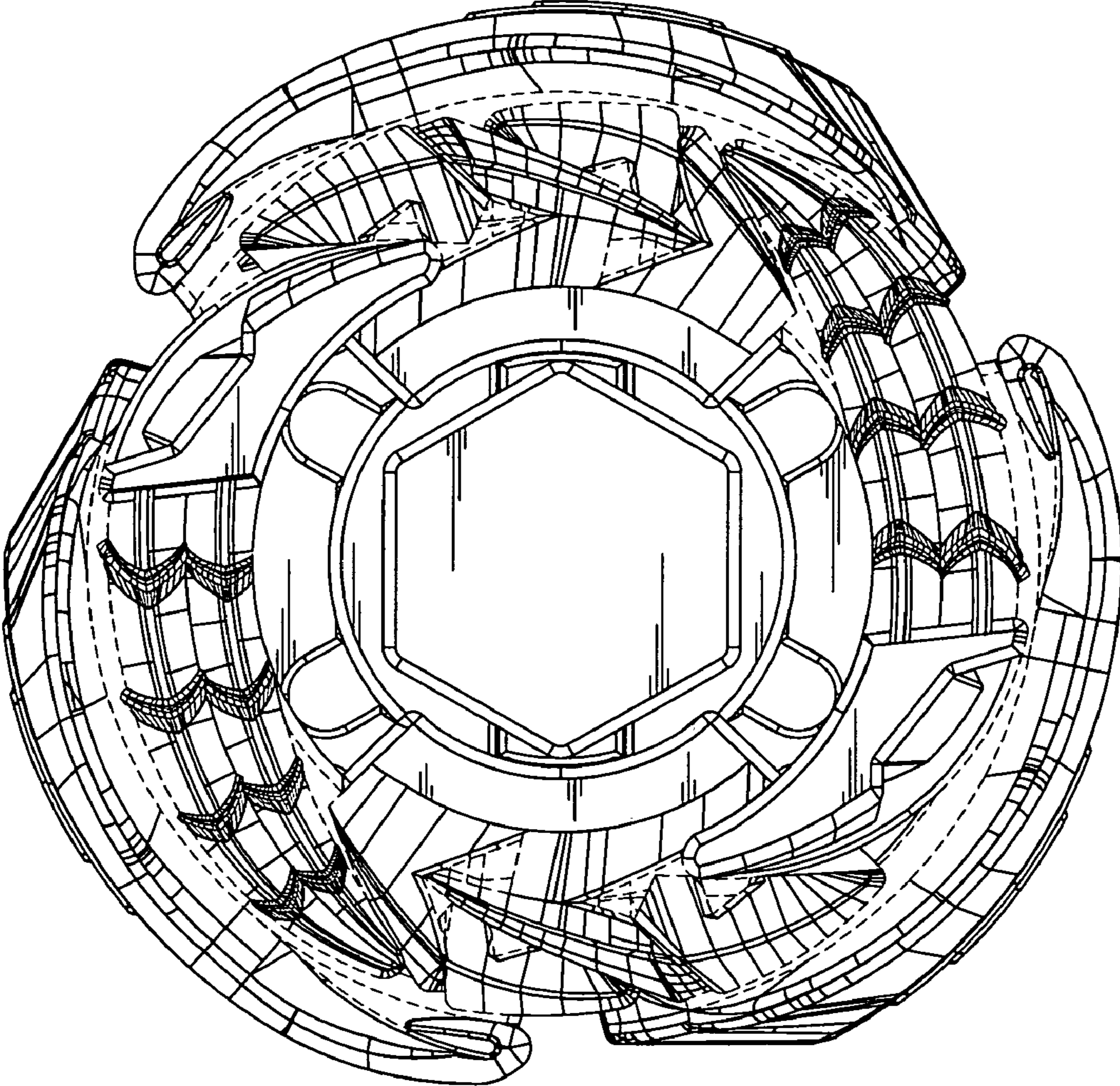


FIG. 6

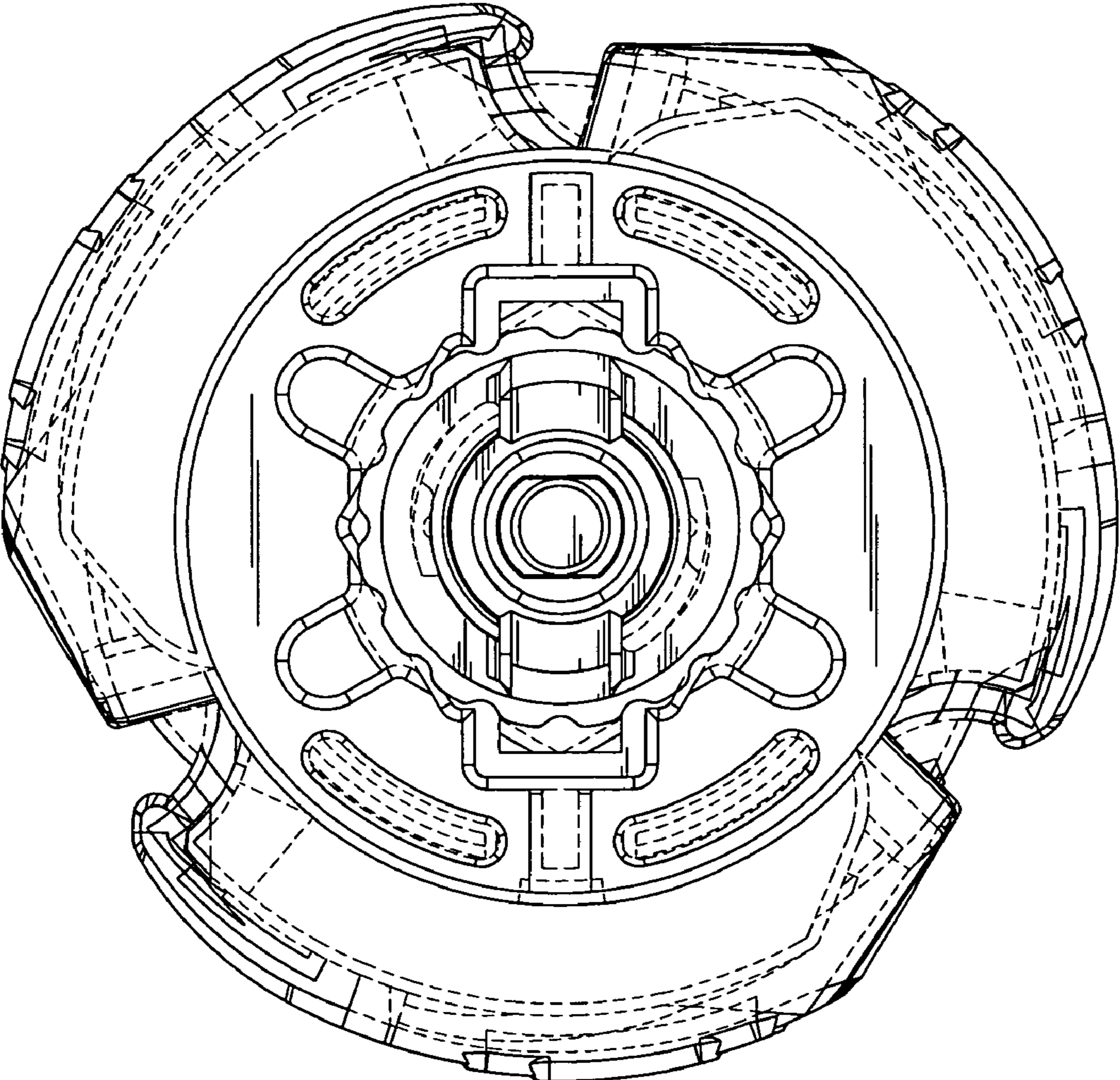


FIG. 7