



US00D667893S

(12) **United States Design Patent**
Smith

(10) **Patent No.:** **US D667,893 S**

(45) **Date of Patent:** **** Sep. 25, 2012**

(54) **TOY HOVERING AIRSHIP**

Primary Examiner — Sandra Morris

(76) Inventor: **Iris Smith**, Beverly Hills, CA (US)

(57) **CLAIM**

The ornamental design for a toy hovering airship, as shown and described.

(**) Term: **14 Years**

(21) Appl. No.: **29/386,254**

DESCRIPTION

(22) Filed: **Feb. 25, 2011**

(51) **LOC (9) Cl.** **21-01**

(52) **U.S. Cl.** **D21/451**

(58) **Field of Classification Search** D21/436,
D21/438, 447-453; 446/46-48, 230-231

See application file for complete search history.

FIG. 1 is a perspective view of a toy hovering airship, showing the new design in a closed configuration;

FIG. 2 is a perspective view thereof, illustrated in an open configuration;

FIG. 3 is a front elevational view of FIG. 1;

FIG. 4 is a rear elevational view of FIG. 1;

FIG. 5 is a right-side elevational view of FIG. 1;

FIG. 6 is a left-side elevational view of FIG. 1;

FIG. 7 is a top plan view of FIG. 1; and,

FIG. 8 is a bottom plan view of FIG. 1.

The broken lines showing internal components and figurines in FIG. 2 depict environmental matter, and form no part of the claimed design.

(56) **References Cited**

U.S. PATENT DOCUMENTS

D326,873 S * 6/1992 Chang D21/451

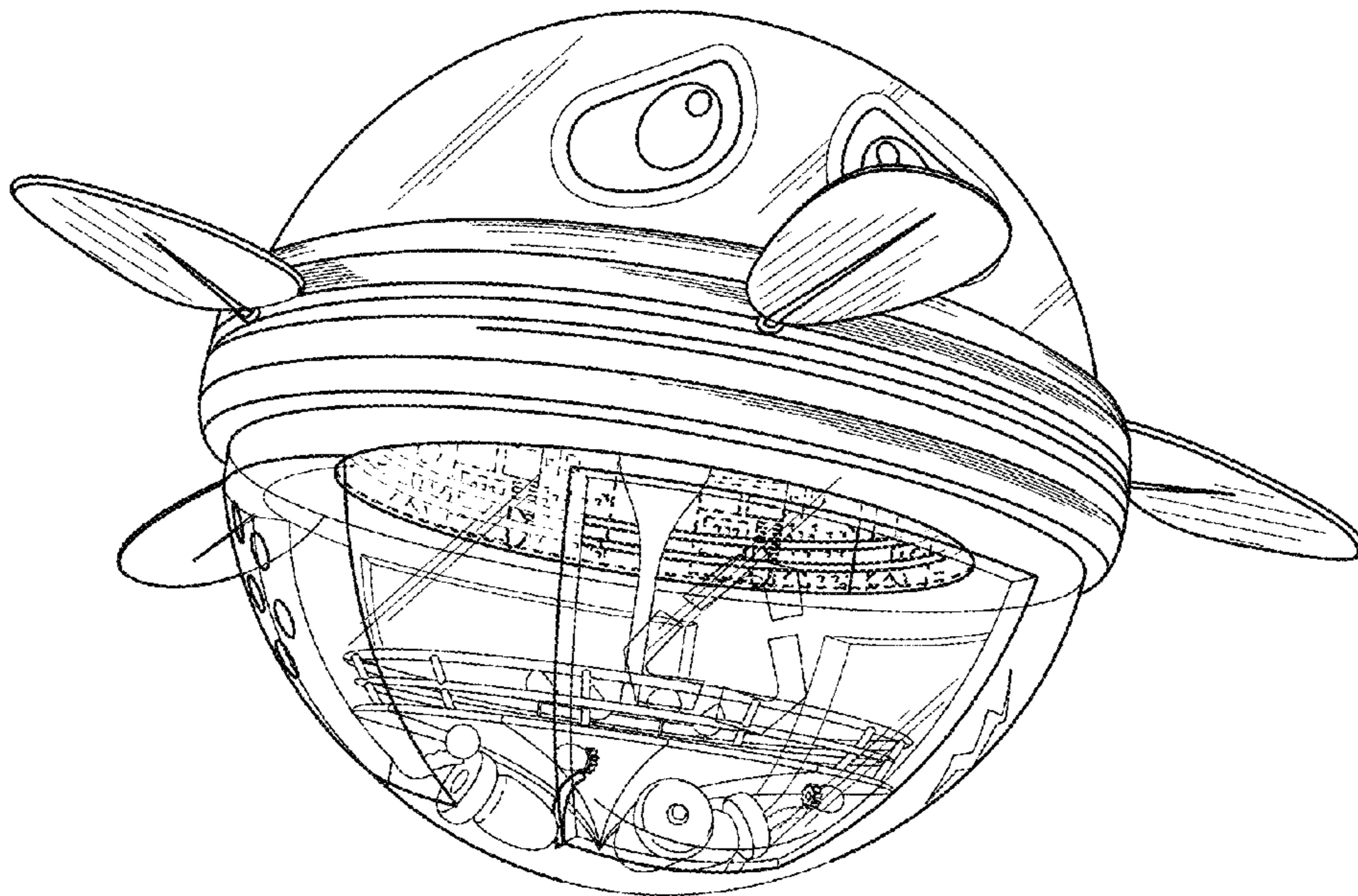
D386,255 S * 11/1997 Ying-teng D21/451

D417,896 S * 12/1999 Eisner et al. D21/451

D585,503 S * 1/2009 Sato et al. D21/451

* cited by examiner

1 Claim, 6 Drawing Sheets



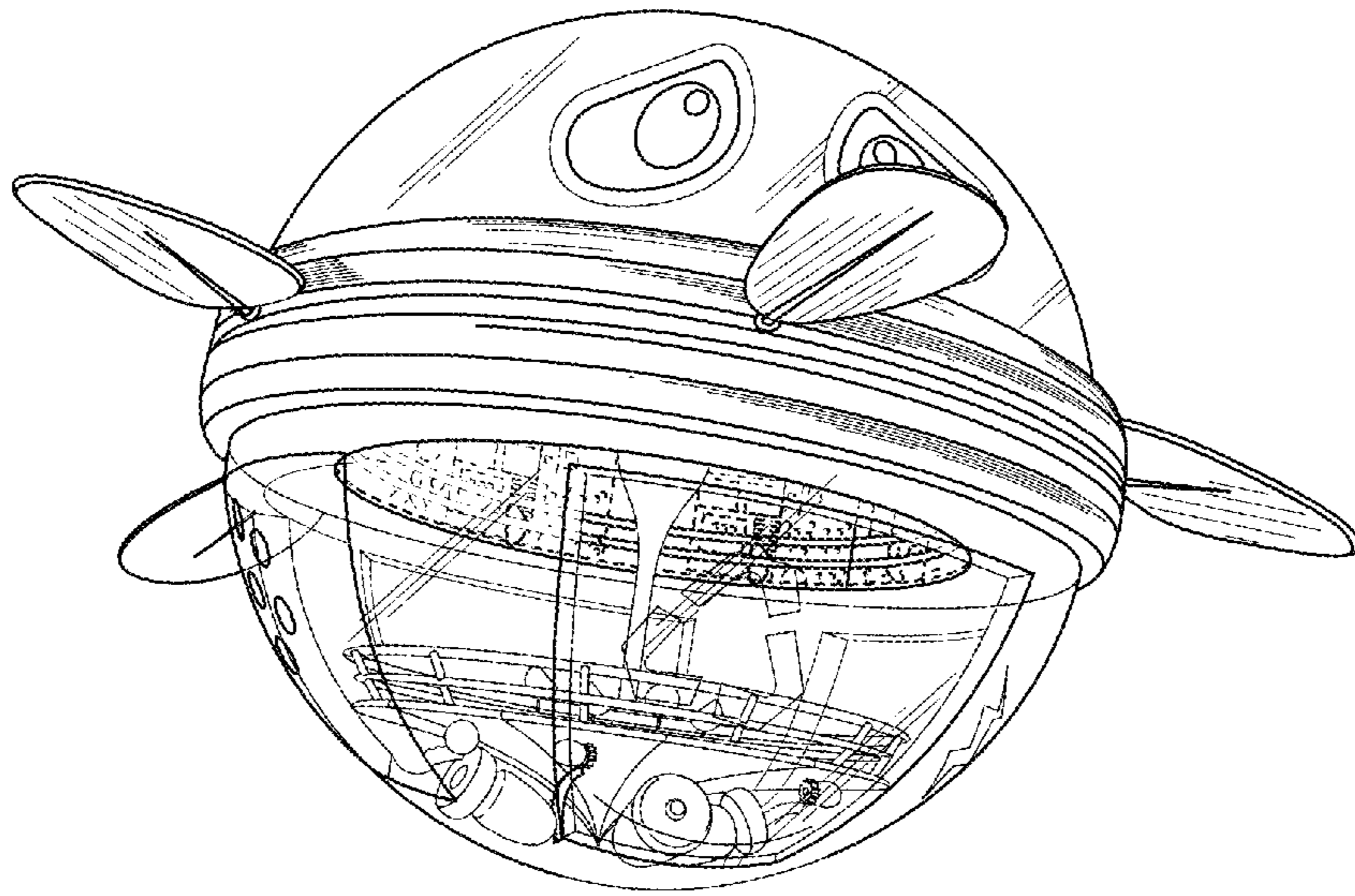


FIG. 1

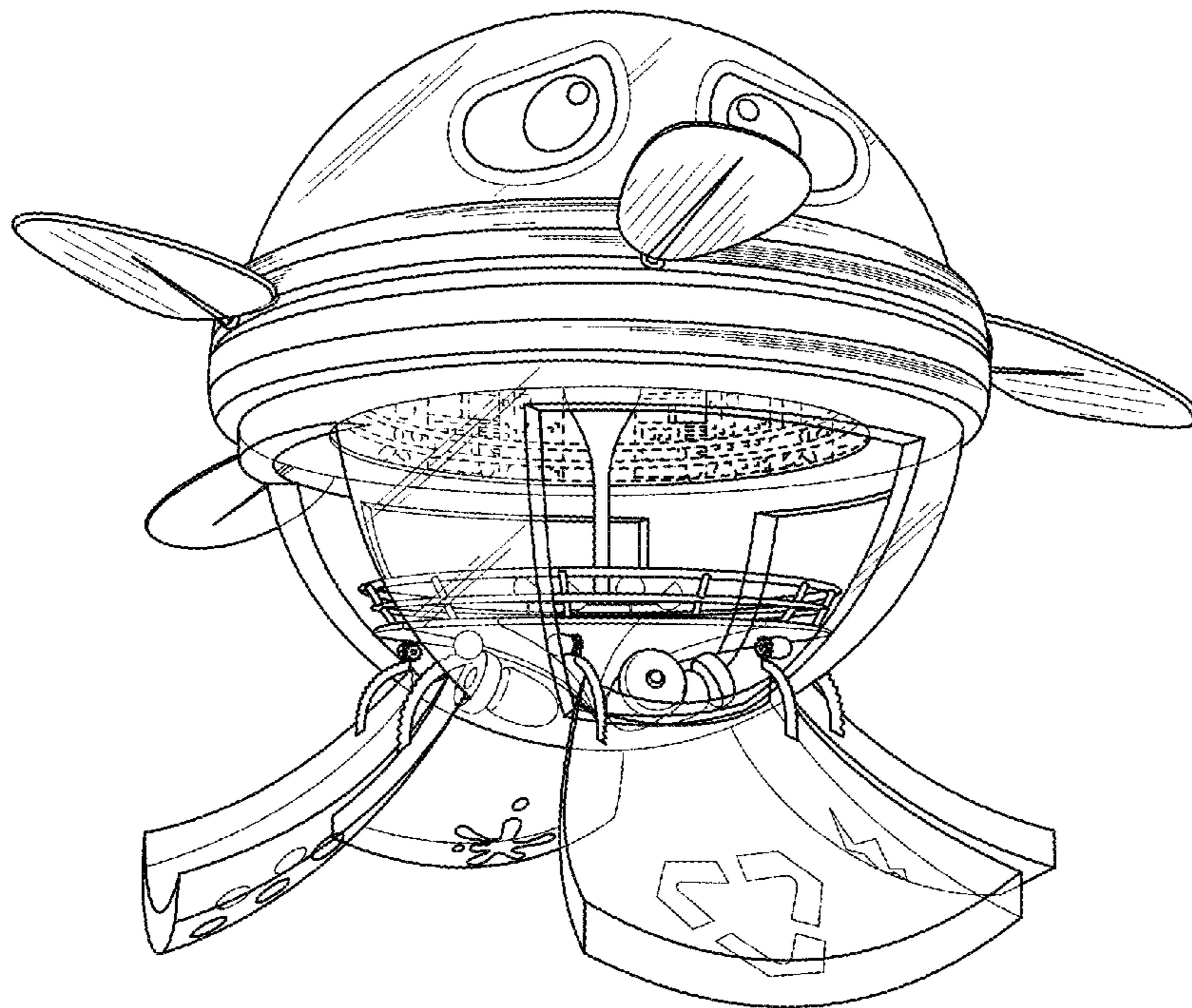


FIG. 2

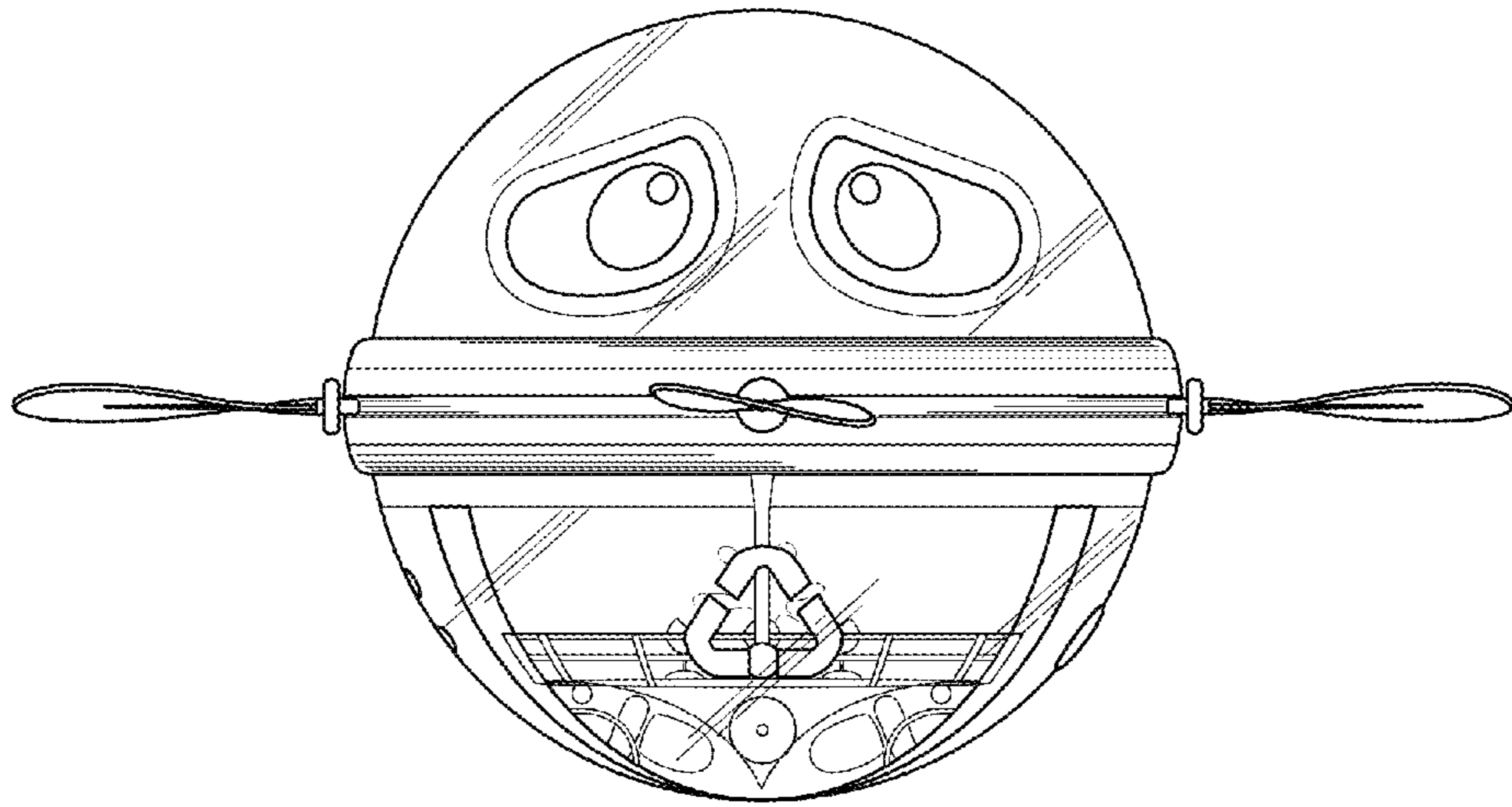


FIG. 3

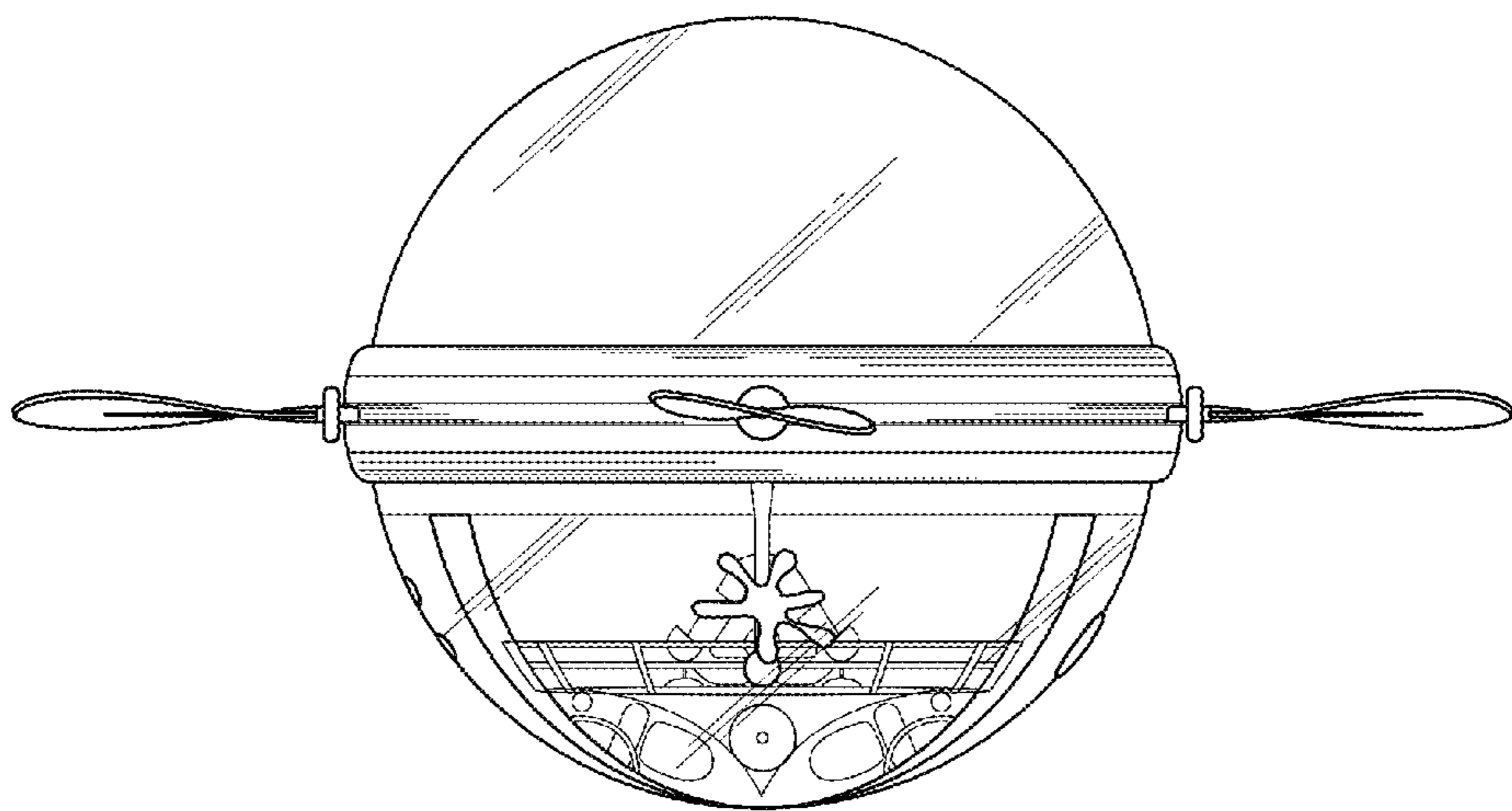


FIG. 4

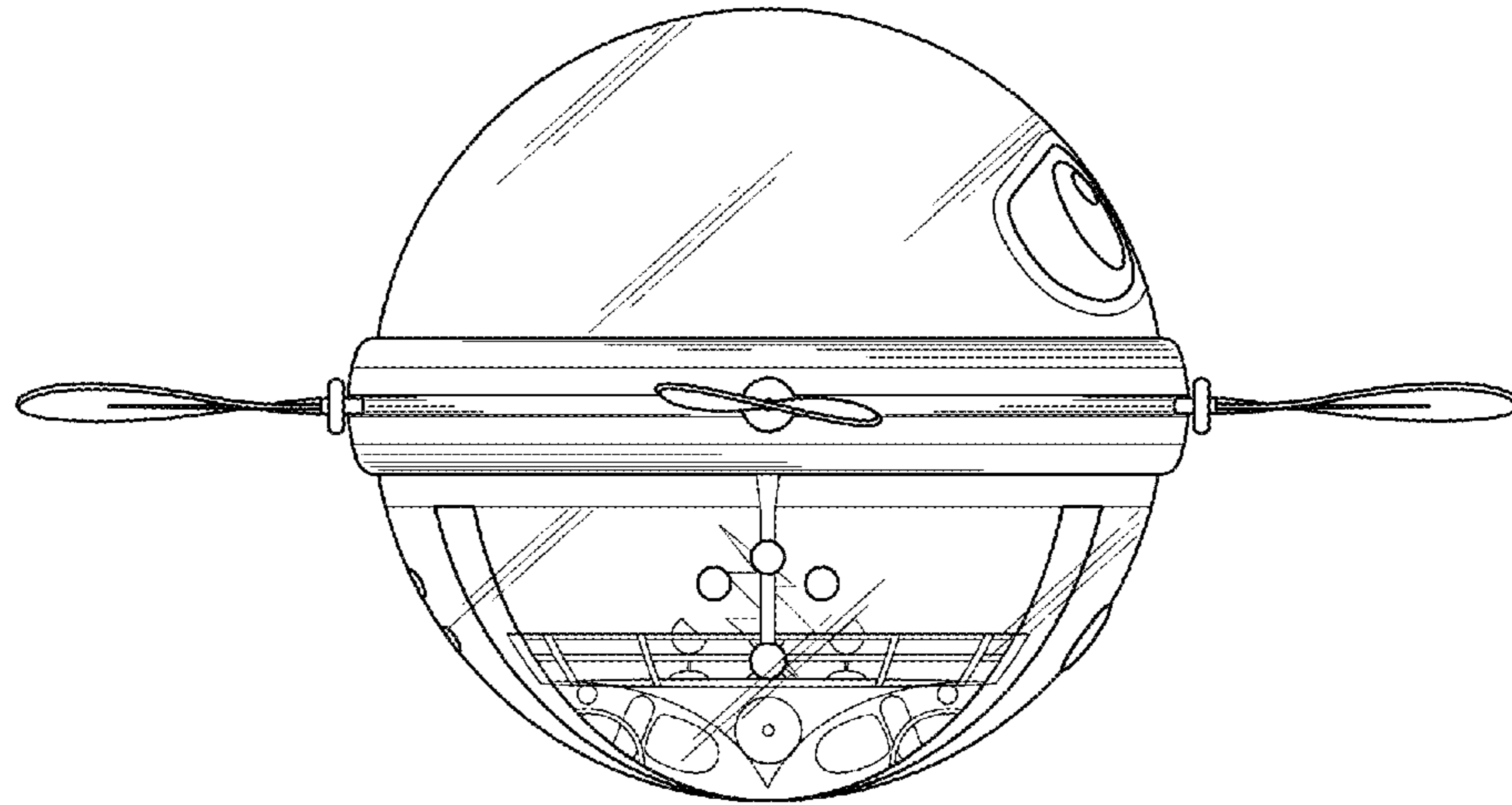


FIG. 5

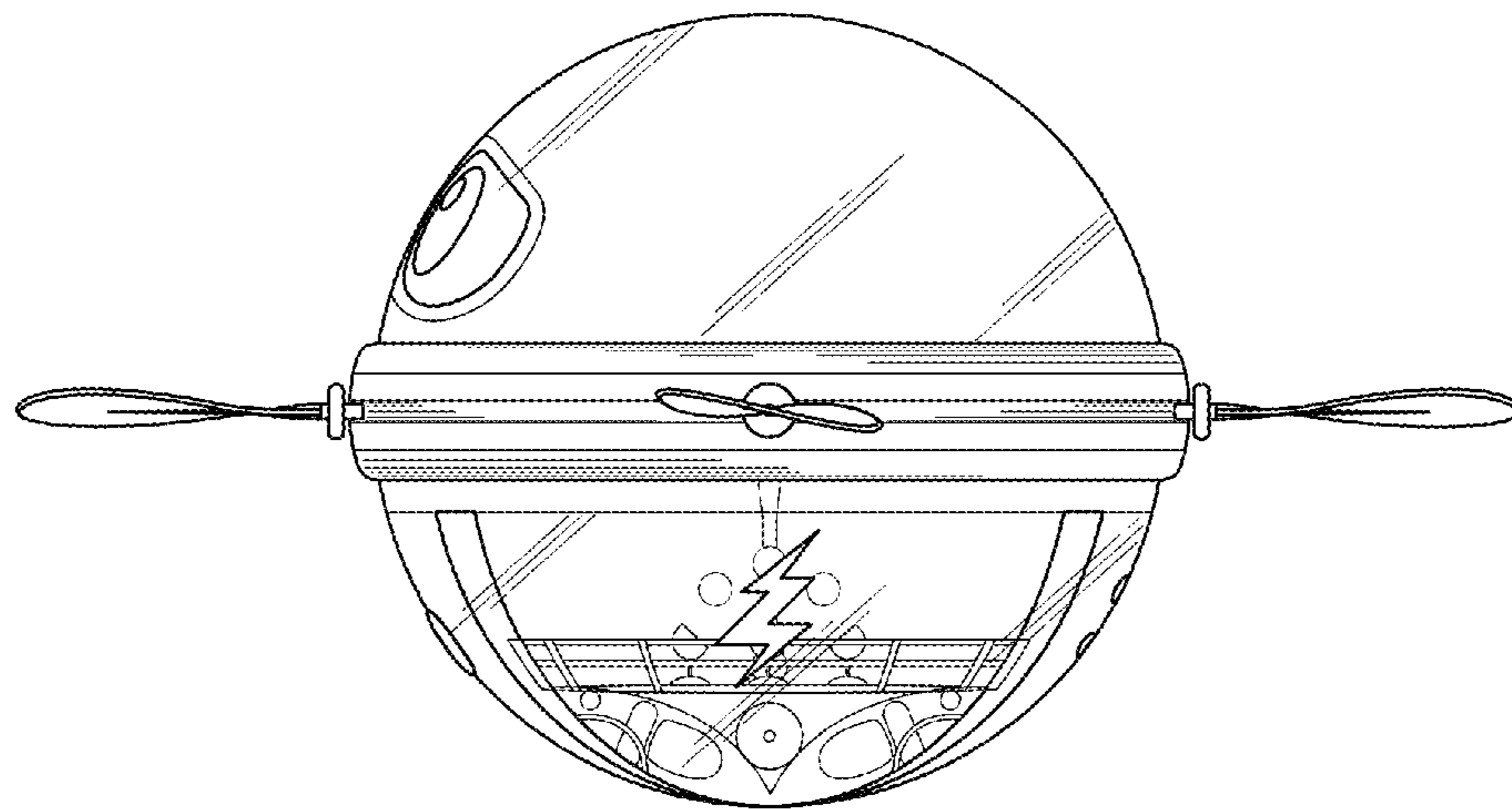


FIG. 6

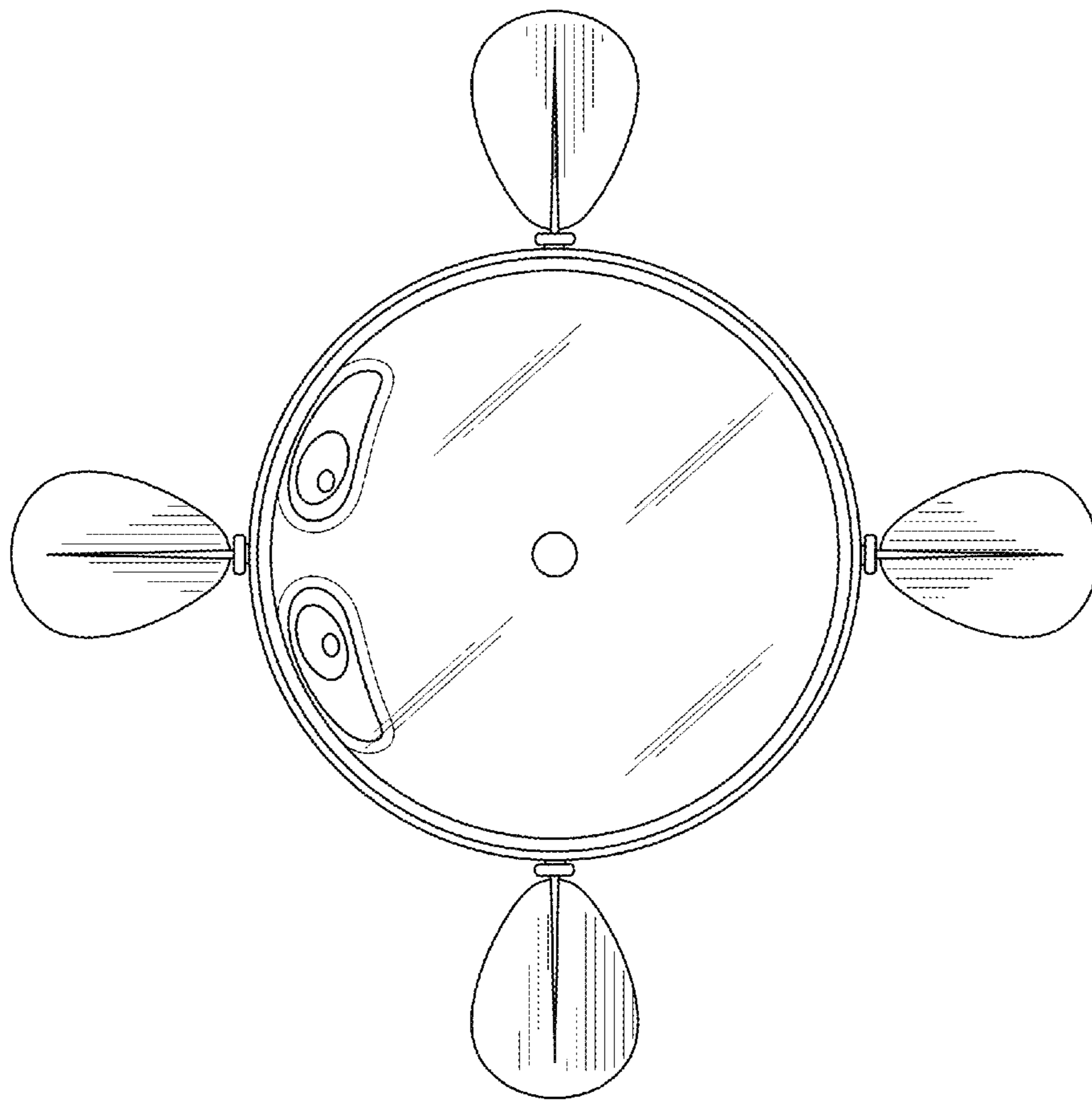


FIG. 7

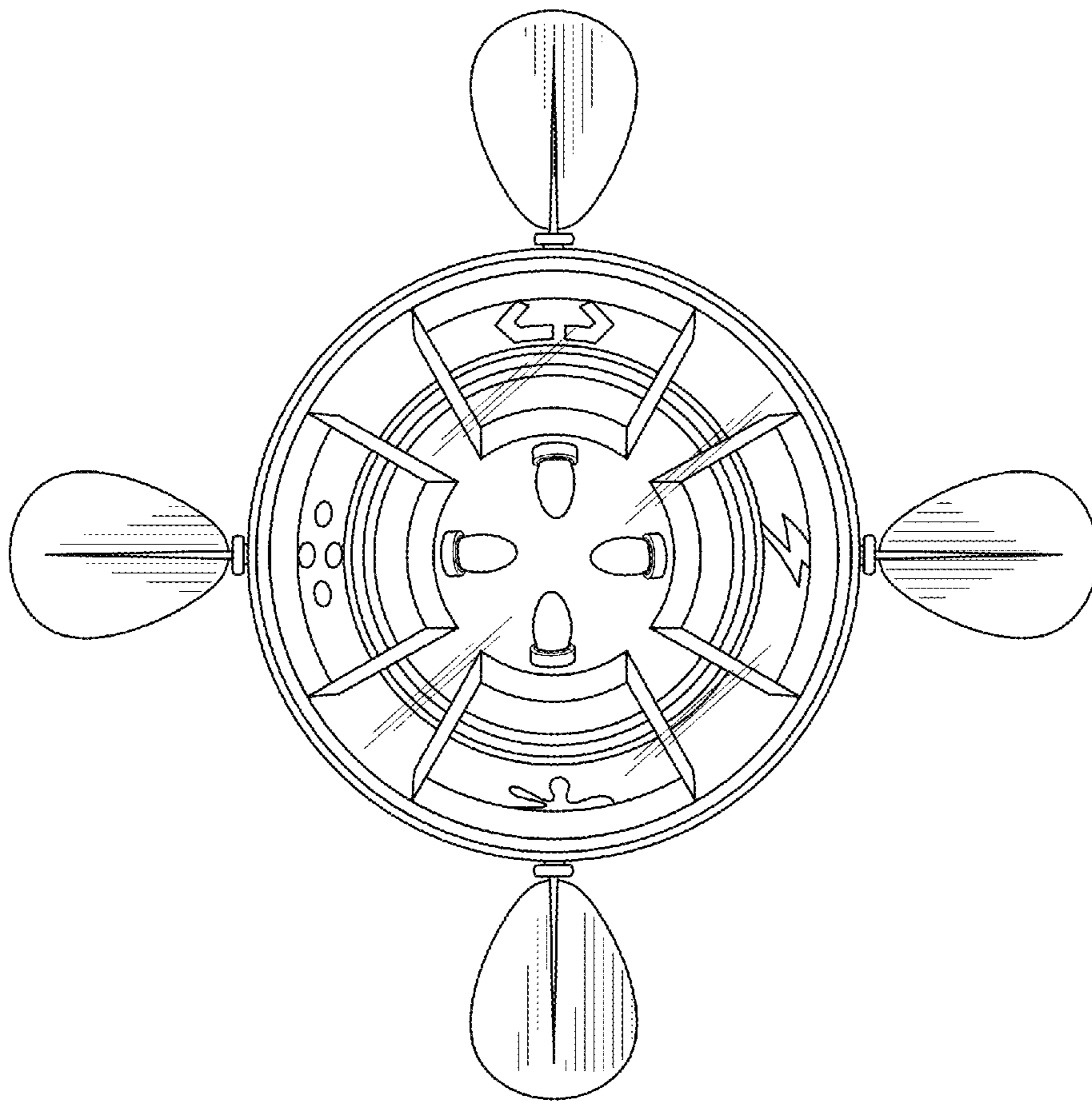


FIG. 8