

US00D667891S

(12) **United States Design Patent**
Hermann, II

(10) **Patent No.:** **US D667,891 S**

(45) **Date of Patent:** **** Sep. 25, 2012**

(54) **RING GAME BASE**

(76) Inventor: **Grover M. Hermann, II**, Columbus, OH (US)

(**) Term: **14 Years**

(21) Appl. No.: **29/418,233**

(22) Filed: **Apr. 13, 2012**

D436,634 S * 1/2001 Cooper-Hart D21/333
6,835,131 B1 * 12/2004 White et al. 463/1
7,264,242 B2 * 9/2007 Hooper et al. 273/238
7,392,985 B1 * 7/2008 Lam 273/238
D599,414 S * 9/2009 Krise et al. D21/397

* cited by examiner

Primary Examiner — Prabhakar Deshmukh

(74) *Attorney, Agent, or Firm* — Jason H. Foster; Kremblas & Foster

Related U.S. Application Data

(62) Division of application No. 29/382,944, filed on Jan. 10, 2011, now Pat. No. Des. 659,198.

(51) **LOC (9) Cl.** **21-01**

(52) **U.S. Cl.** **D21/328; D21/300**

(58) **Field of Classification Search** D21/330, D21/314, 328, 332, 333, 334, 339, 349, 355, D21/397; 273/108, 108.1, 148 B, 236, 237, 273/238, 241, 281, 284, 287, 460; 563/1, 563/29-35, 46, 47; 473/415; 345/418, 419, 345/156, 204, 901-903

See application file for complete search history.

(57) **CLAIM**

The ornamental design for a ring game base, as shown and described.

DESCRIPTION

FIG. 1 a rear elevational view of a ring game base showing my new design;

FIG. 2 is a front elevational view thereof;

FIG. 3 is a left side elevational view thereof;

FIG. 4 is a right side elevational view thereof;

FIG. 5 is a top plan view thereof;

FIG. 6 is a bottom plan view thereof;

FIG. 7 is a top front perspective view thereof;

FIG. 8 is a top plan view thereof, showing an alternate display on the base; and,

FIG. 9 is a top front perspective view of FIG. 8.

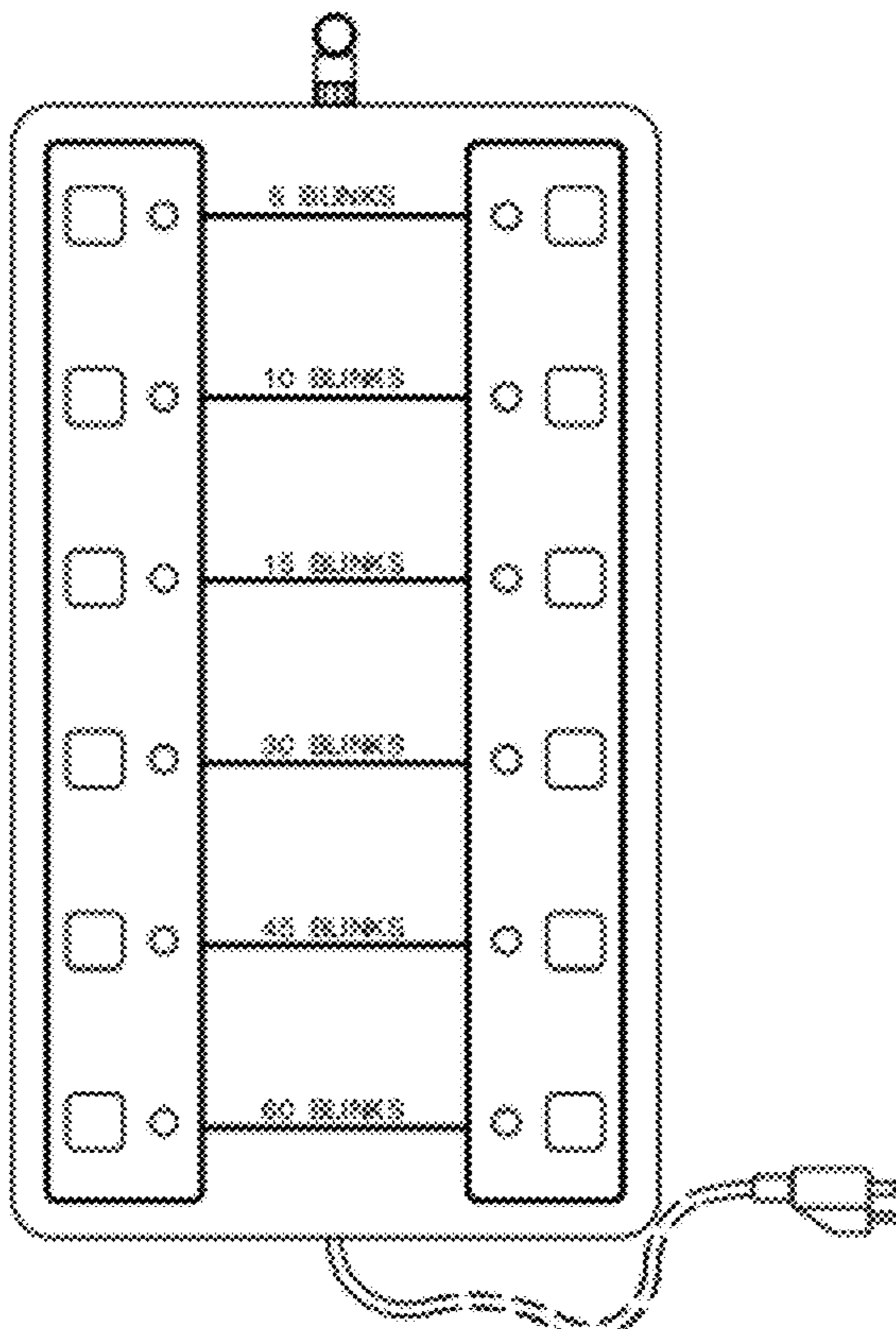
The broken lines showing of a cord is for illustrative purpose only and forms no part of the claimed design.

(56) **References Cited**

U.S. PATENT DOCUMENTS

3,315,962 A * 4/1967 Budai 273/237
D238,289 S * 12/1975 Regensburg D21/338
4,358,118 A * 11/1982 Plapp 463/7
4,418,908 A * 12/1983 Kinberg 273/445

1 Claim, 3 Drawing Sheets



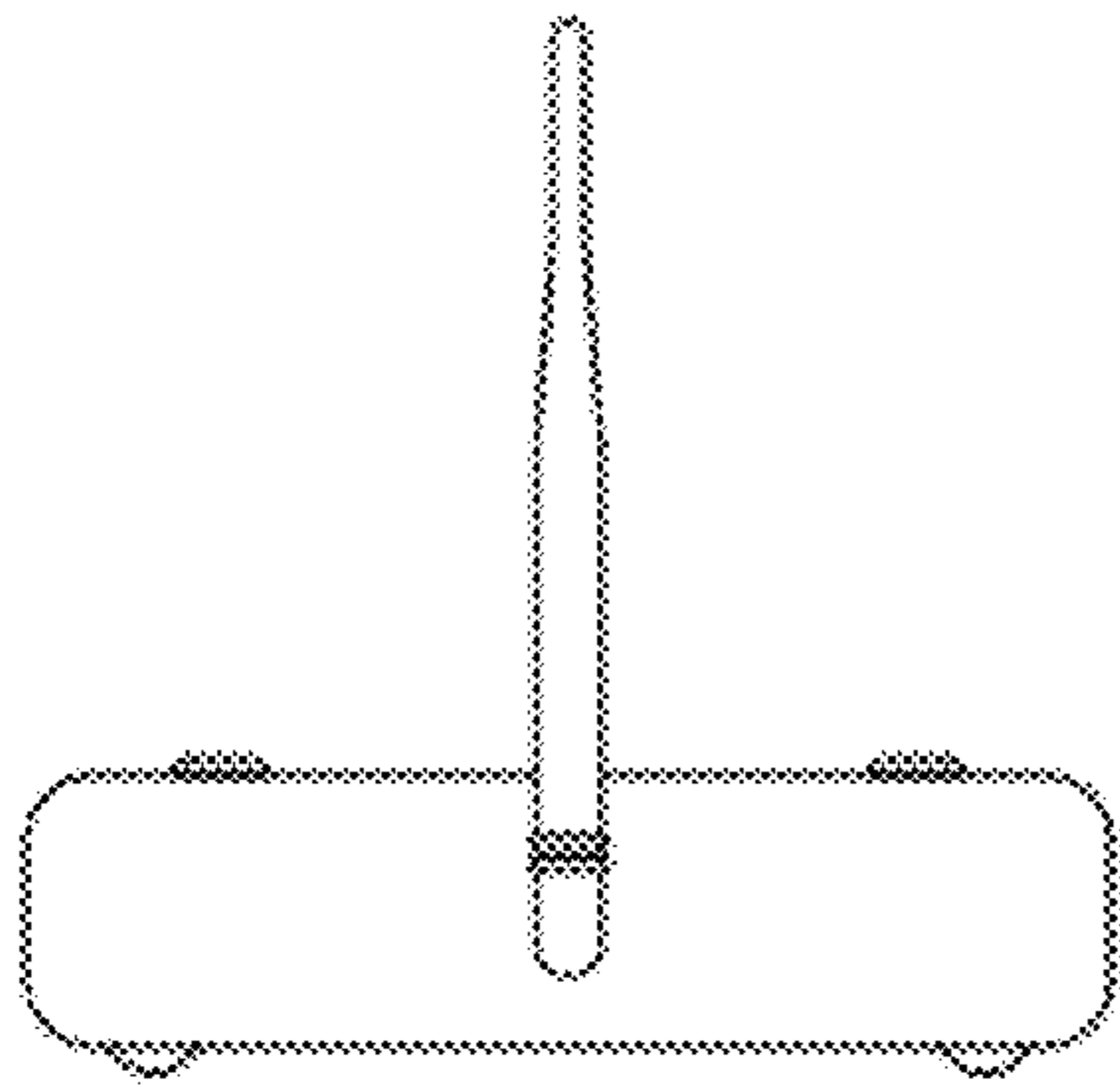


Fig. 1

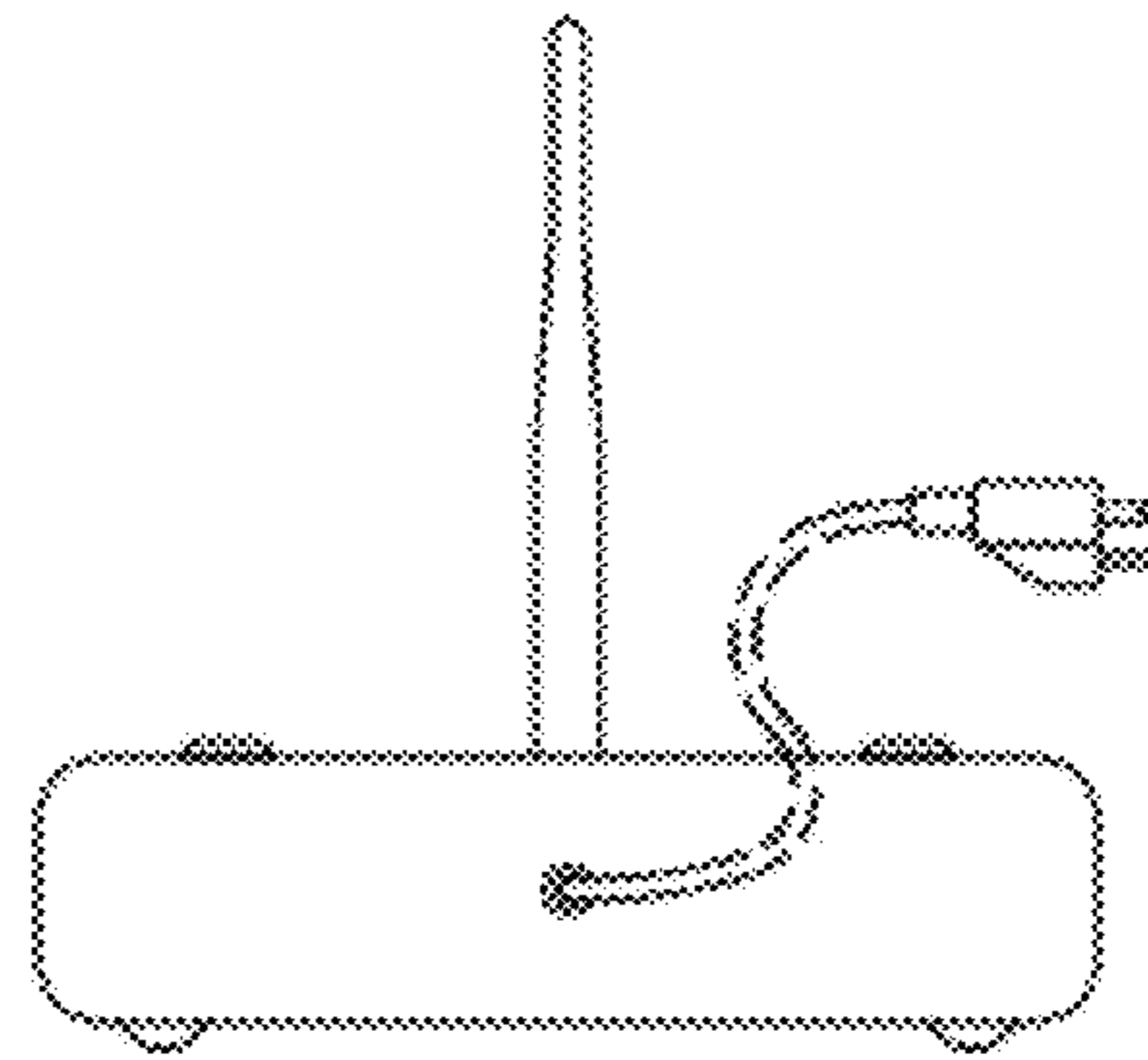


Fig. 2

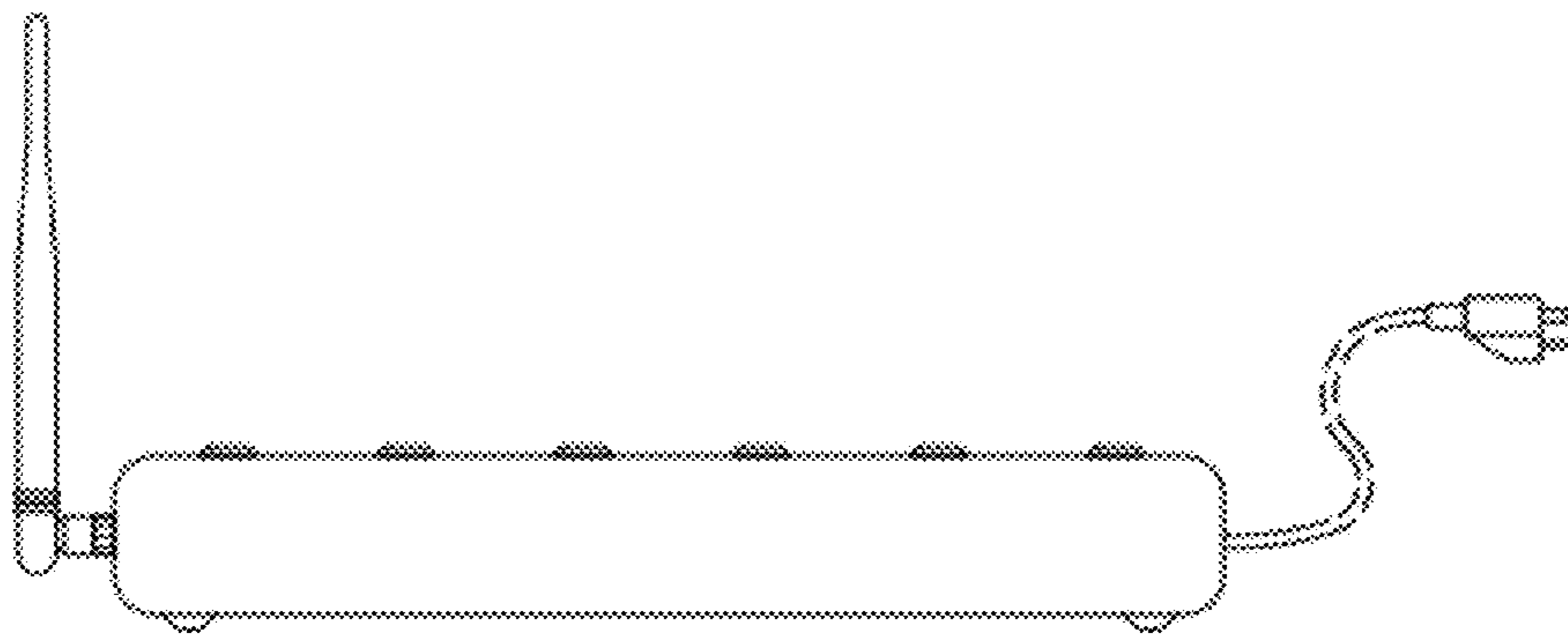


Fig. 3

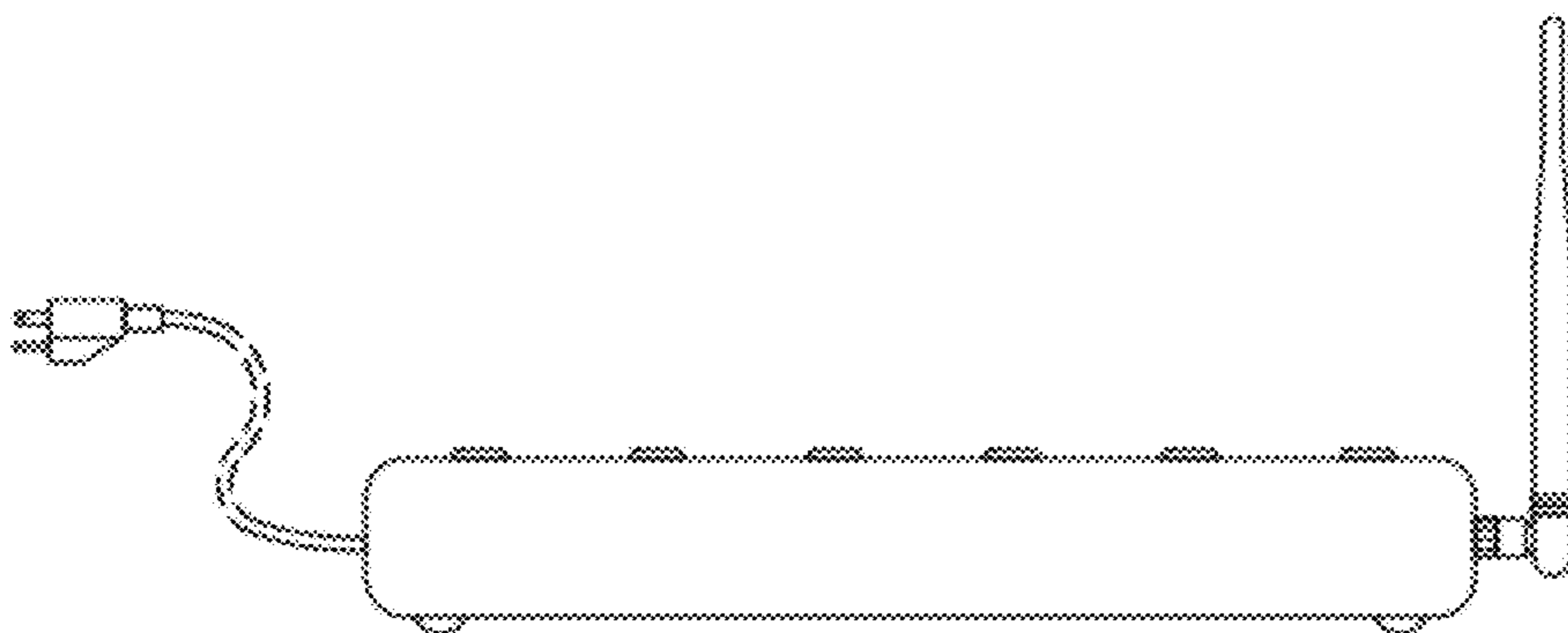


Fig. 4

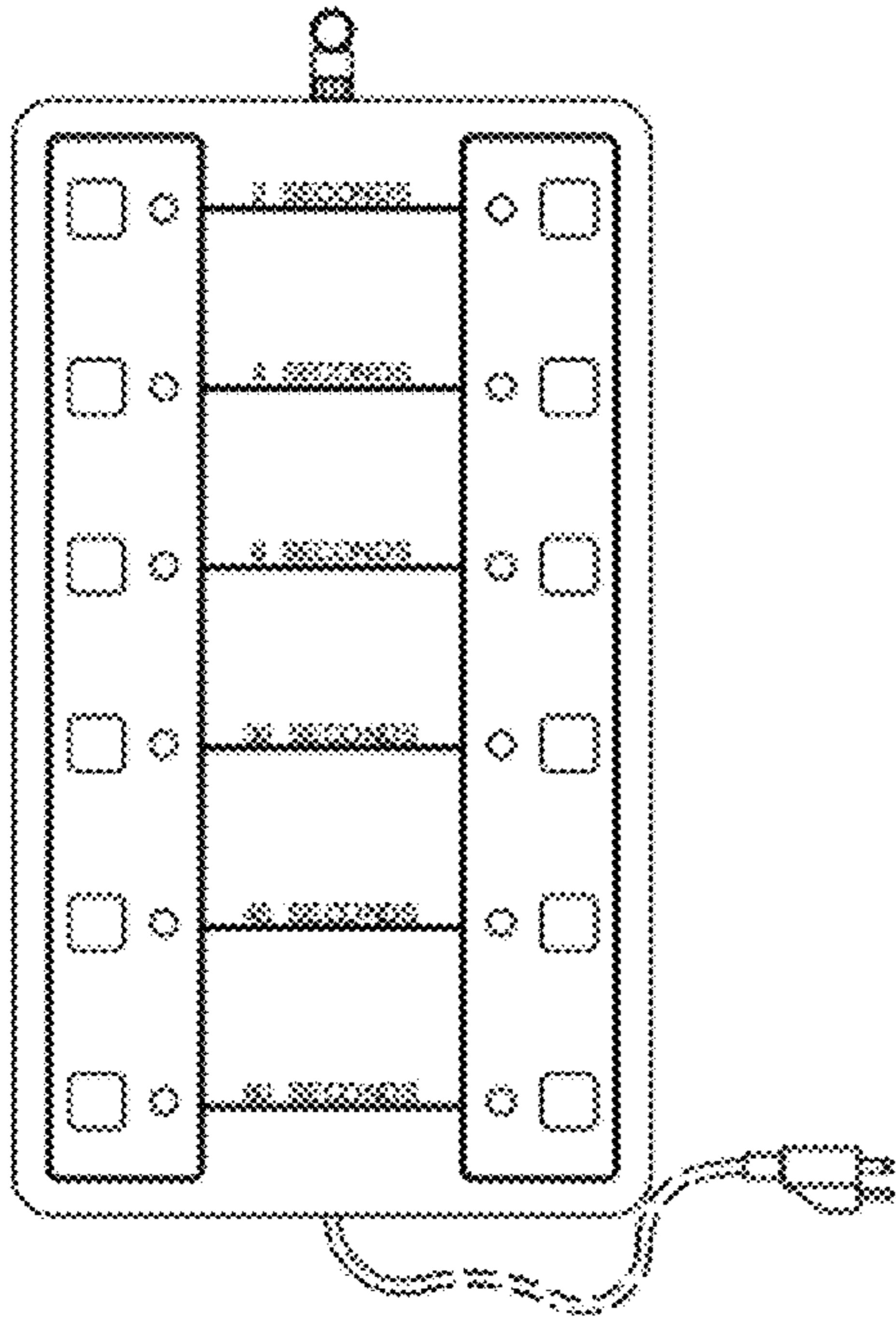


Fig. 5

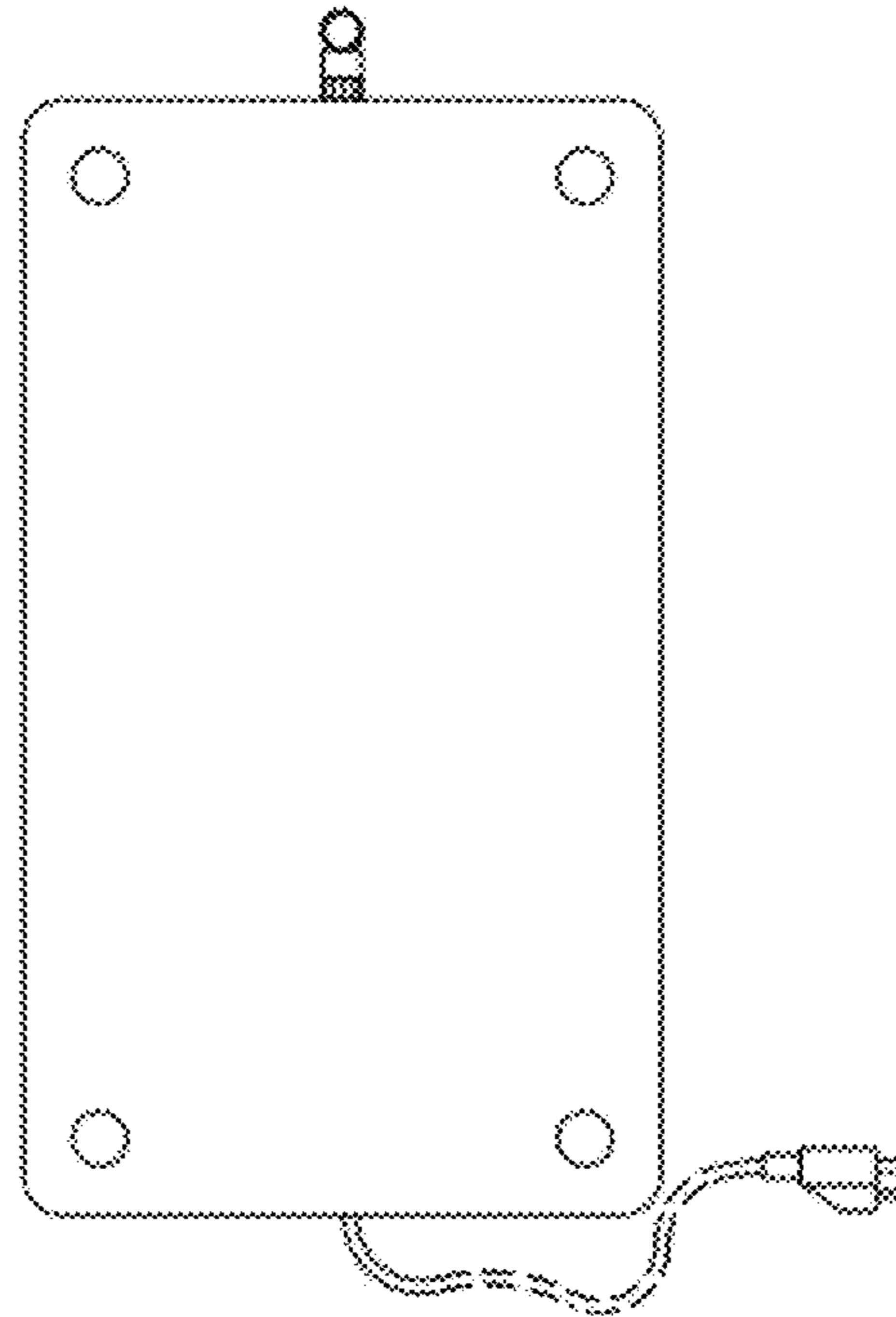


Fig. 6

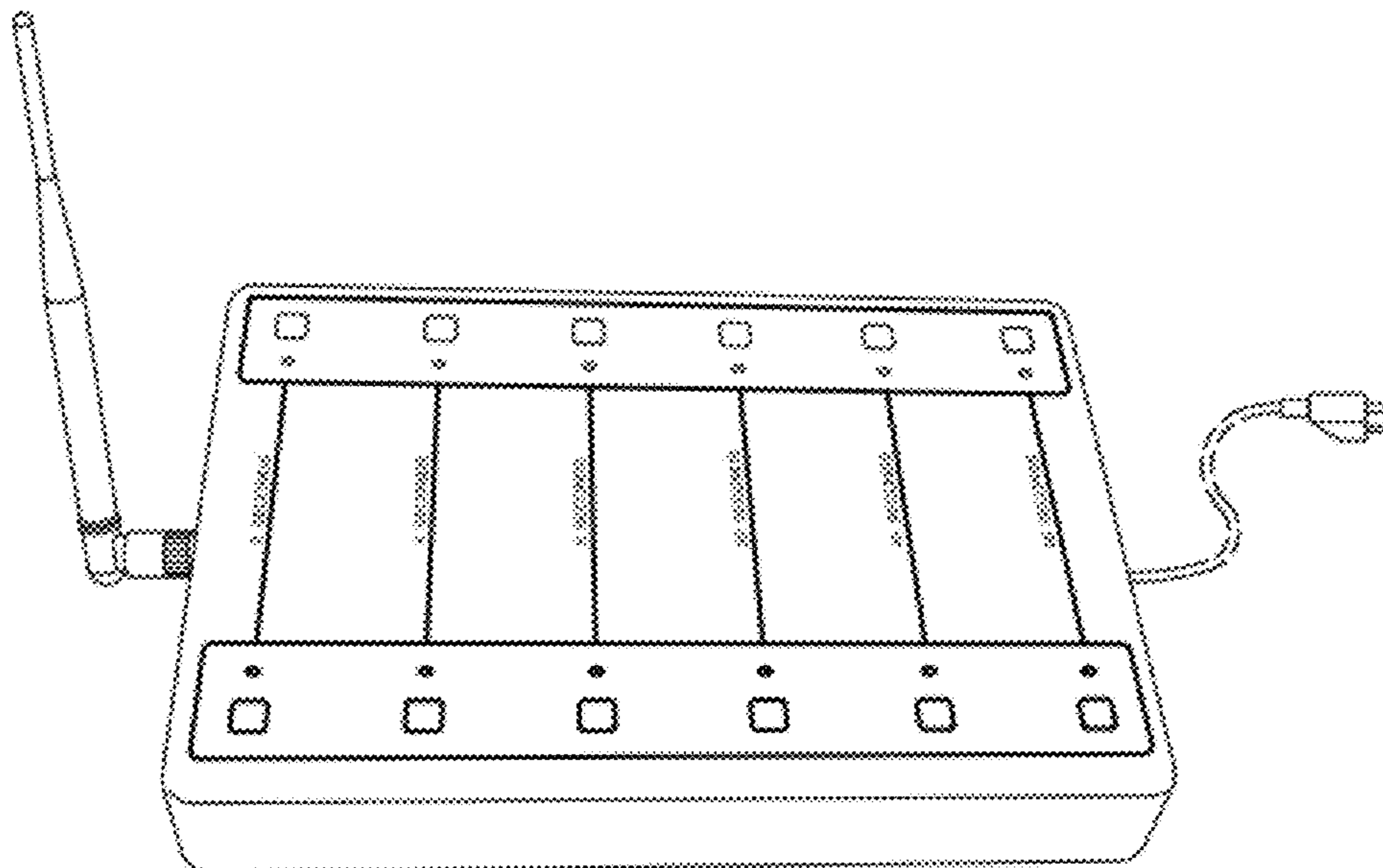


Fig. 7

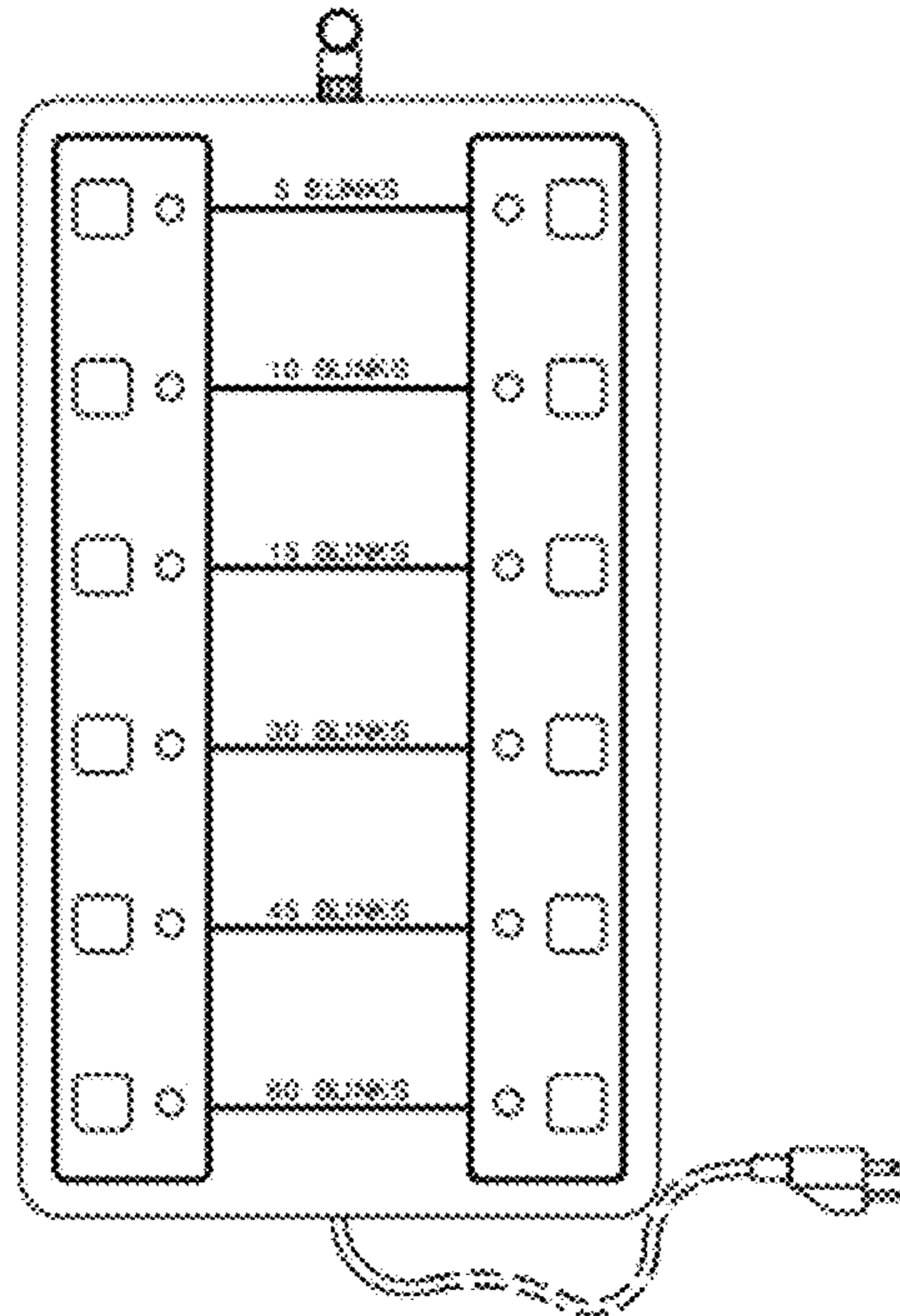


Fig. 8

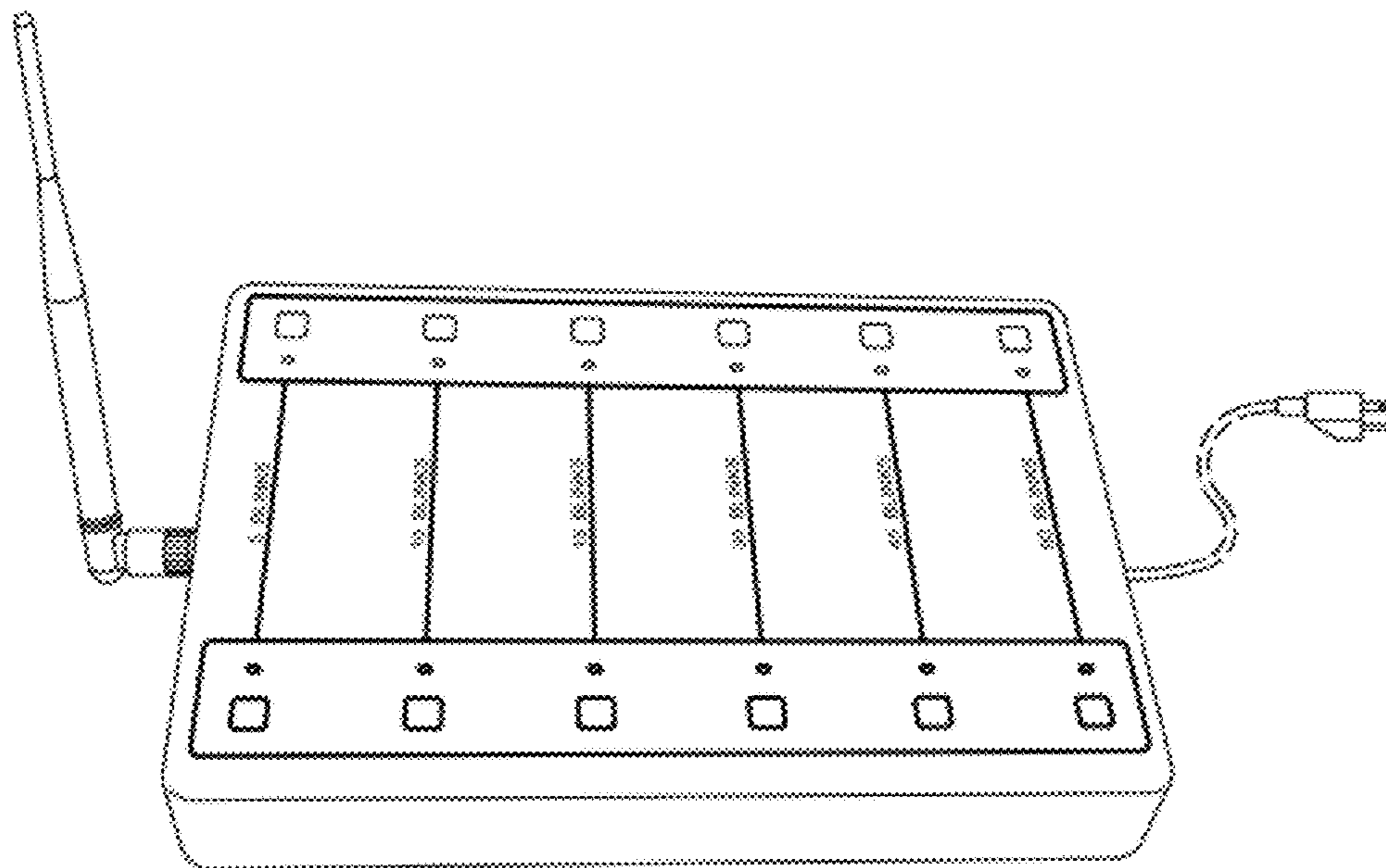


Fig. 9