

US00D667889S

(12) **United States Design Patent**
Kurmlavage

(10) **Patent No.:** **US D667,889 S**

(45) **Date of Patent:** **** Sep. 25, 2012**

- (54) **FOOD IDENTIFICATION DEVICE**
- (75) Inventor: **Michael M. Kurmlavage**, Lansdowne, PA (US)
- (73) Assignee: **Spirit Specialty Solutions, Inc.**, Lansdowne, PA (US)
- (**) Term: **14 Years**
- (21) Appl. No.: **29/412,217**
- (22) Filed: **Jan. 31, 2012**
- (51) **LOC (9) Cl.** **20-02**
- (52) **U.S. Cl.** **D20/43**
- (58) **Field of Classification Search** D20/10, D20/19, 43, 44, 99; 40/309, 642.01, 642.02, 40/645, 647-655, 657-661, 661.03, 661.05-661.07, 40/661.11, 607.1
See application file for complete search history.

- 1,822,787 A * 9/1931 Slawson 40/645
- 2,070,652 A * 2/1937 Elmer 40/651
- 2,559,106 A * 7/1951 Bishop et al. 40/606.14
- 2,595,530 A * 5/1952 Kuefner 40/645
- 7,506,466 B2 * 3/2009 Betham et al. 40/606.01
- 7,617,627 B1 * 11/2009 Waidelich 40/607.1

* cited by examiner

Primary Examiner — Mary Ann Calabrese

(57) **CLAIM**

I claim the ornamental design for a food identification device, as shown and described.

DESCRIPTION

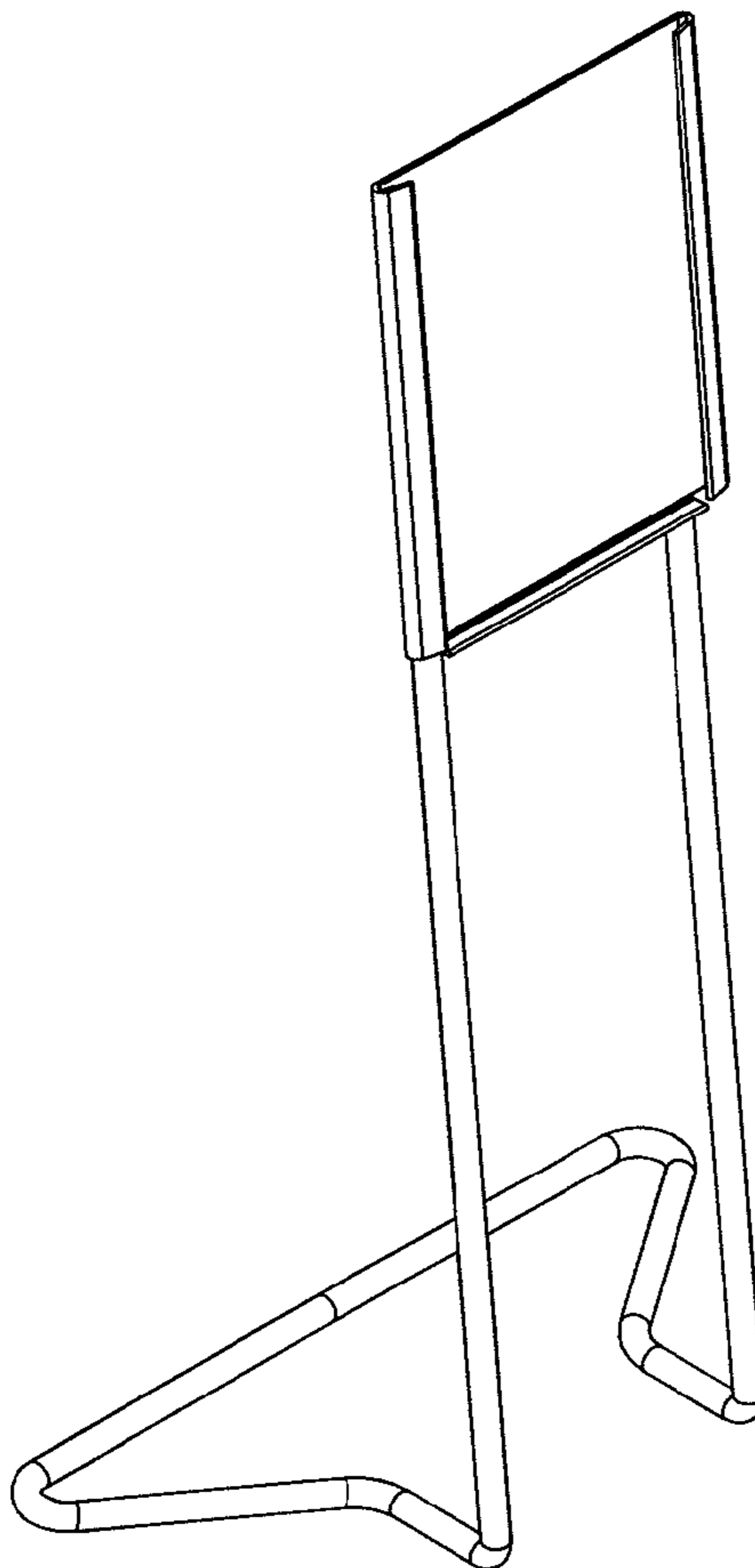
FIG. 1 is a front perspective view of a food identification device showing my new design;
FIG. 2 is another front perspective view thereof;
FIG. 3 is another front perspective view thereof;
FIG. 4 is front elevation view thereof;
FIG. 5 is a top plan view thereof;
FIG. 6 is a rear elevation view thereof;
FIG. 7 is a bottom plan view thereof; and,
FIG. 8 is a left side elevation view thereof and the right side elevation view is a mirror image thereof.

1 Claim, 3 Drawing Sheets

(56) **References Cited**

U.S. PATENT DOCUMENTS

- 474,079 A * 5/1892 Beown 40/309
- 1,696,824 A * 12/1928 Wanner 40/652



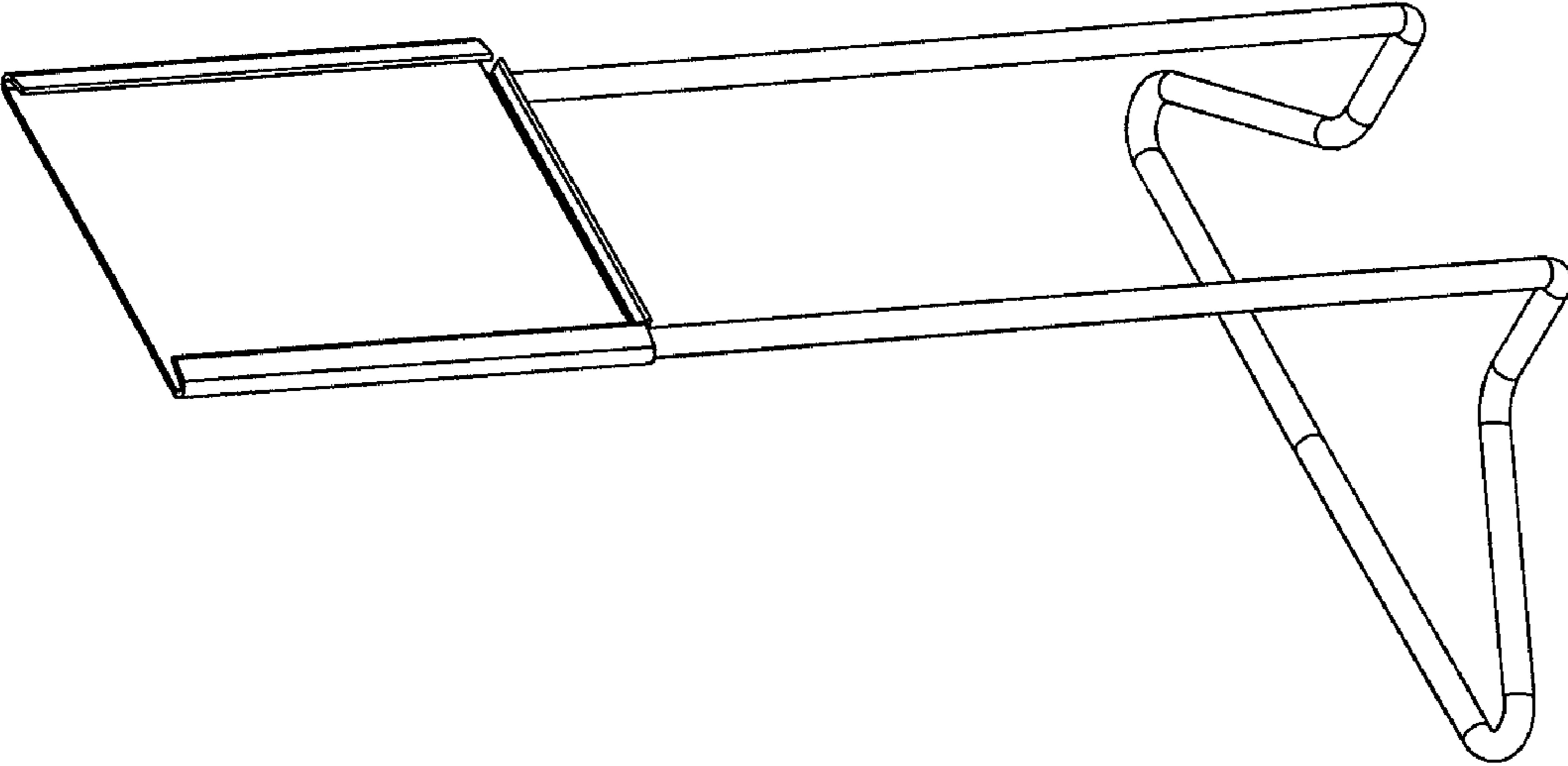


Fig. 1

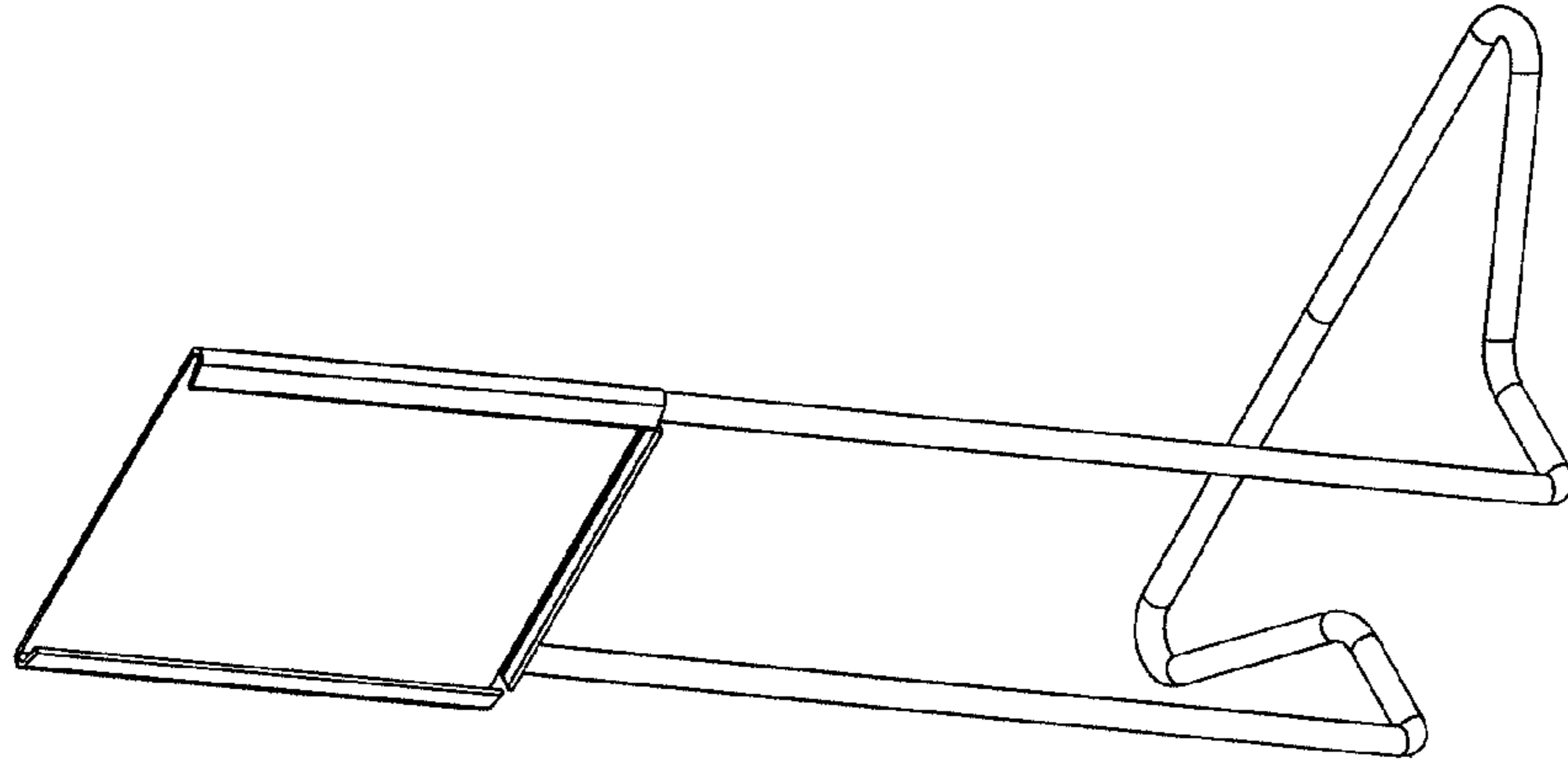


Fig. 3

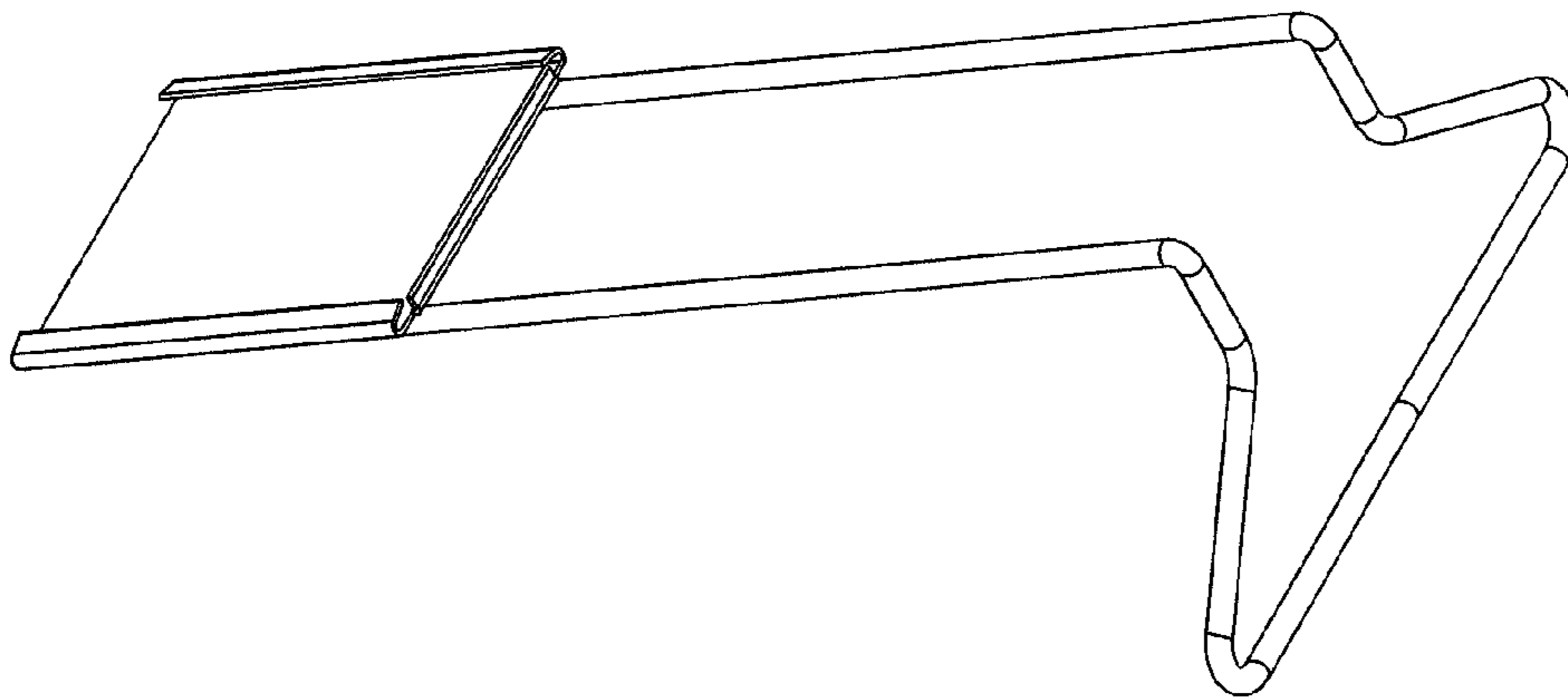


Fig. 2

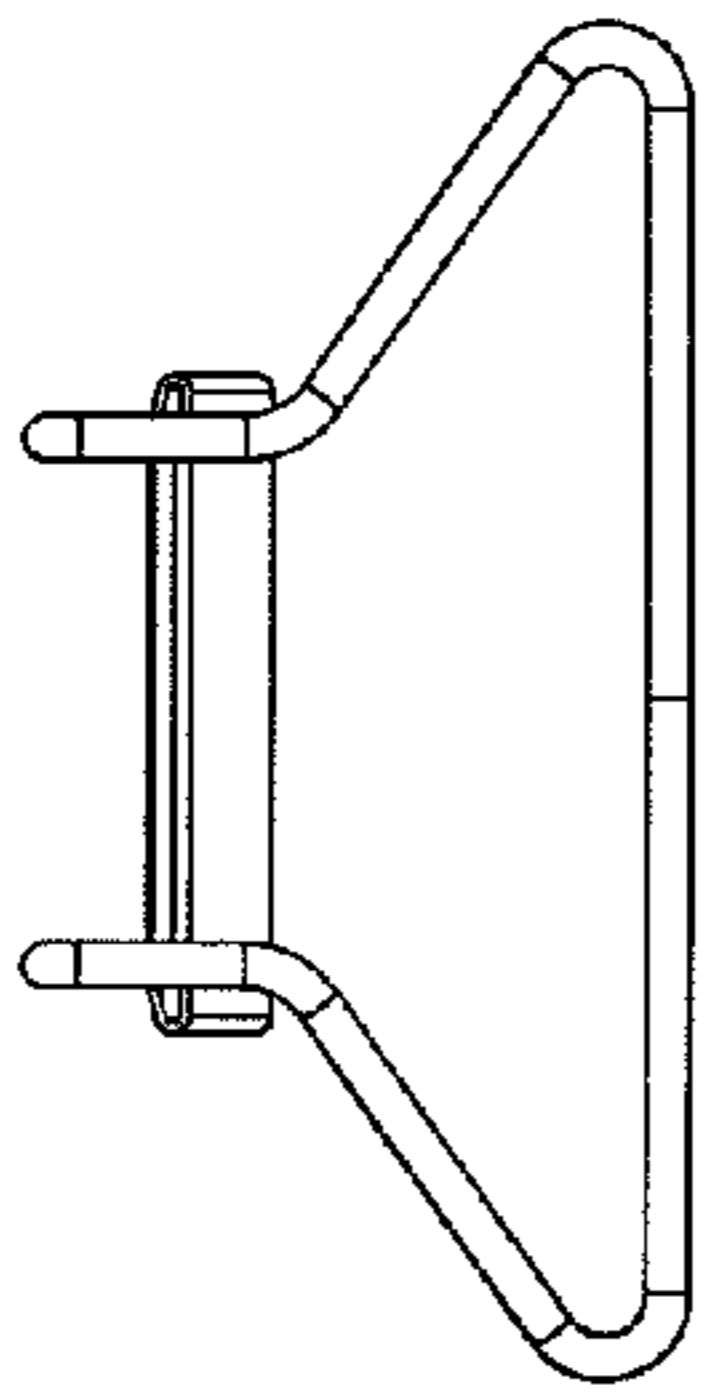


Fig. 7

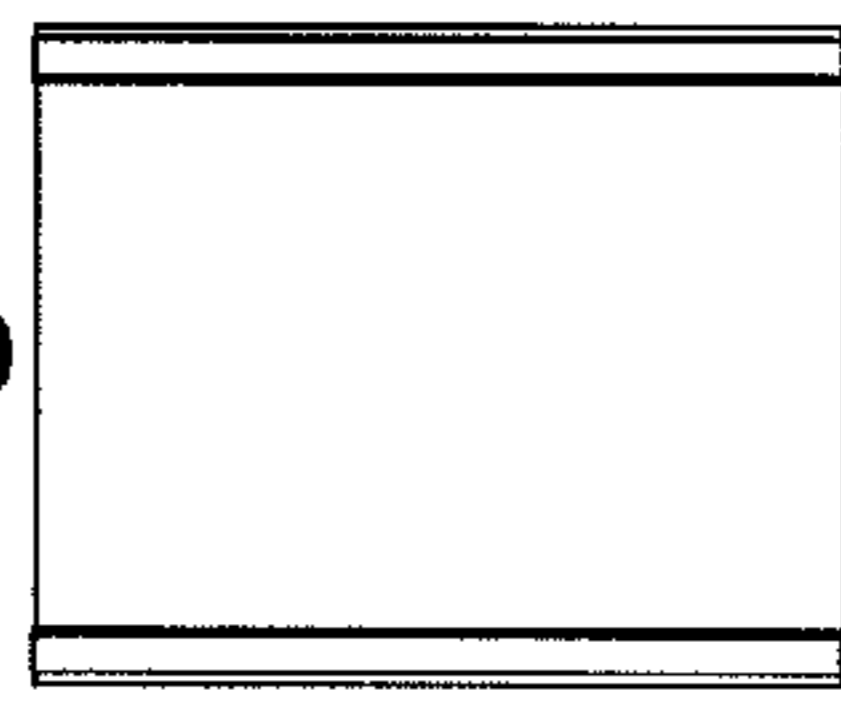


Fig. 4

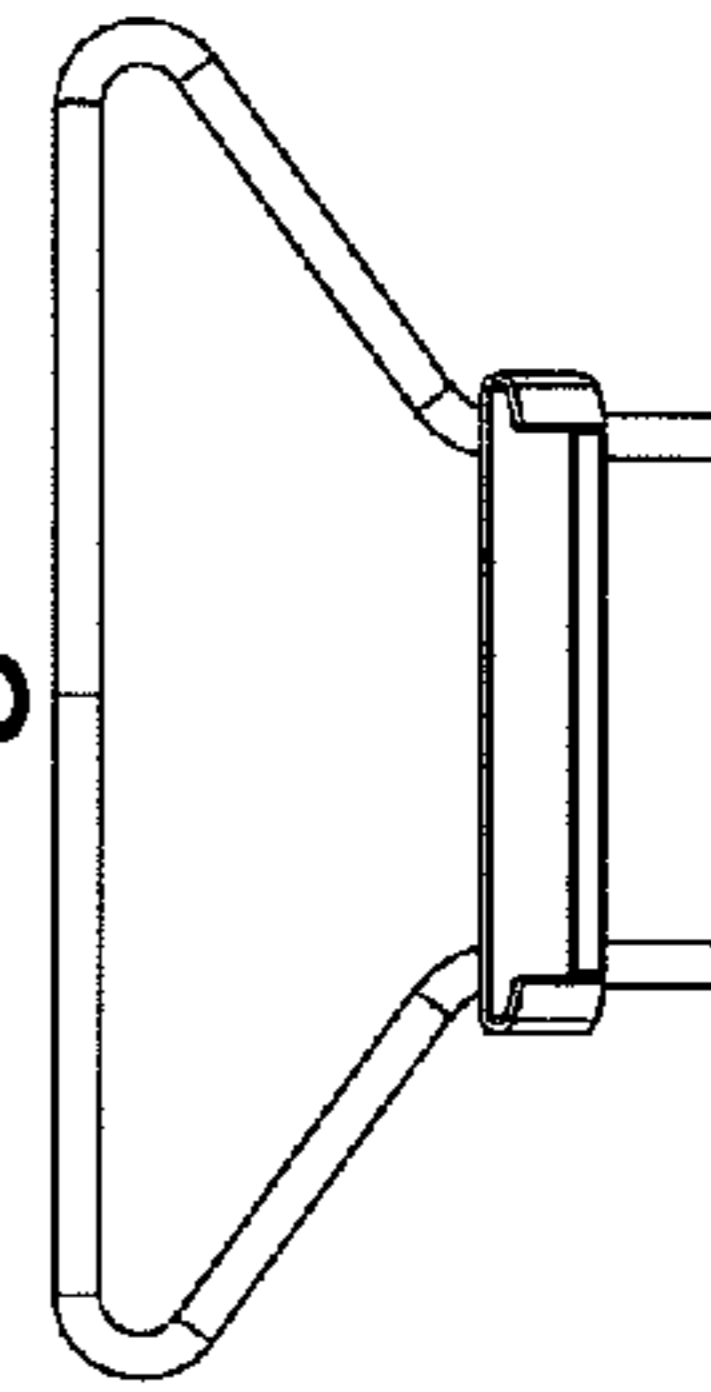


Fig. 5

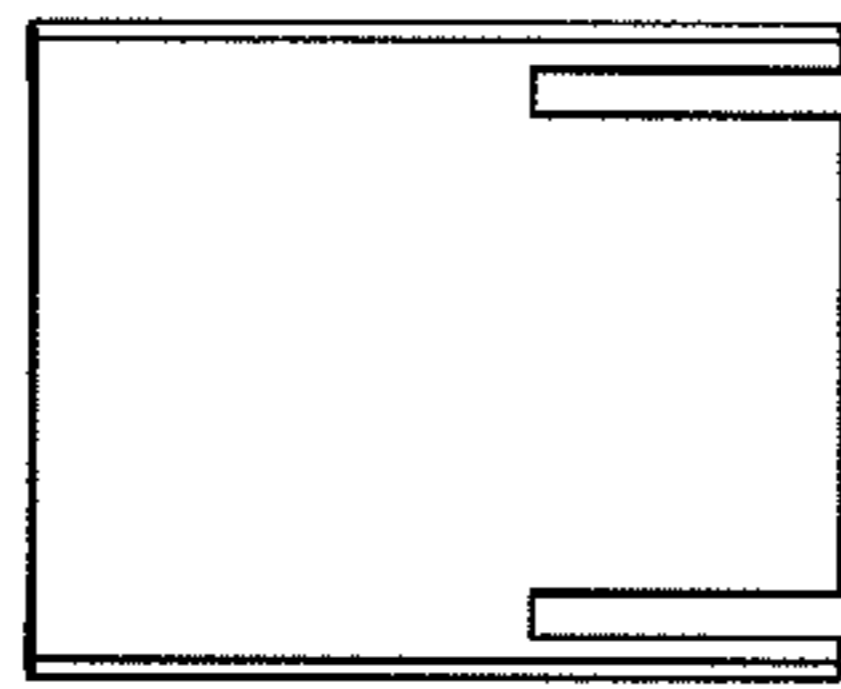


Fig. 6

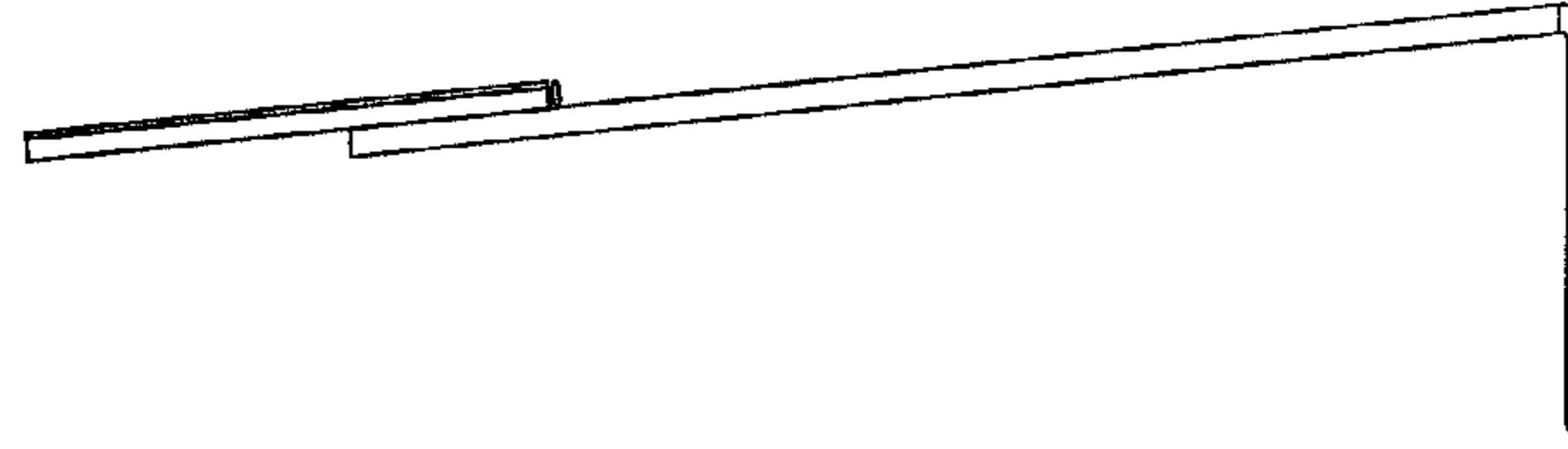


Fig. 8