

US00D667886S

(12) **United States Design Patent**
Wang

(10) **Patent No.:** **US D667,886 S**

(45) **Date of Patent:** **** Sep. 25, 2012**

(54) **STATIONERY CLIP**

(75) Inventor: **Hai Wang**, Kowloon (HK)

(73) Assignee: **Ocean Springs Metal Manufacture Limited**, Kowloon (HK)

(**) Term: **14 Years**

(21) Appl. No.: **29/407,228**

(22) Filed: **Nov. 23, 2011**

(51) **LOC (9) Cl.** **19-06**

(52) **U.S. Cl.** **D19/65**

(58) **Field of Classification Search** D8/394,
D8/395; D19/65, 86, 99, 100, 1, 2, 4; 24/67 R,
24/67.1, 67.3, 67.5, 67.7, 67.9, 67.11, 67 P,
24/546, 547, 566, DIG. 10; 40/658, 666;
248/465.1, 302

See application file for complete search history.

(56) **References Cited**

U.S. PATENT DOCUMENTS

1,783,099	A *	11/1930	Ries	24/546
2,186,943	A *	1/1940	Voss	24/485
2,302,568	A *	11/1942	Pitt	24/67.5
4,458,386	A *	7/1984	Fernandez	24/67.9

4,605,990	A *	8/1986	Wilder et al.	362/581
5,008,982	A *	4/1991	Tsukamoto	24/67.9
6,088,889	A *	7/2000	Luther et al.	24/489
6,374,463	B1 *	4/2002	Kaufman	24/67.5
D478,352	S *	8/2003	Huang	D19/65
7,318,293	B2 *	1/2008	Ardern, II	40/666
7,992,260	B1 *	8/2011	Juilly	24/67.5
2003/0115722	A1 *	6/2003	Shogbamimu et al.	24/67 R

* cited by examiner

Primary Examiner — Elizabeth Albert

(74) *Attorney, Agent, or Firm* — Intellectual Property Law Group LLP

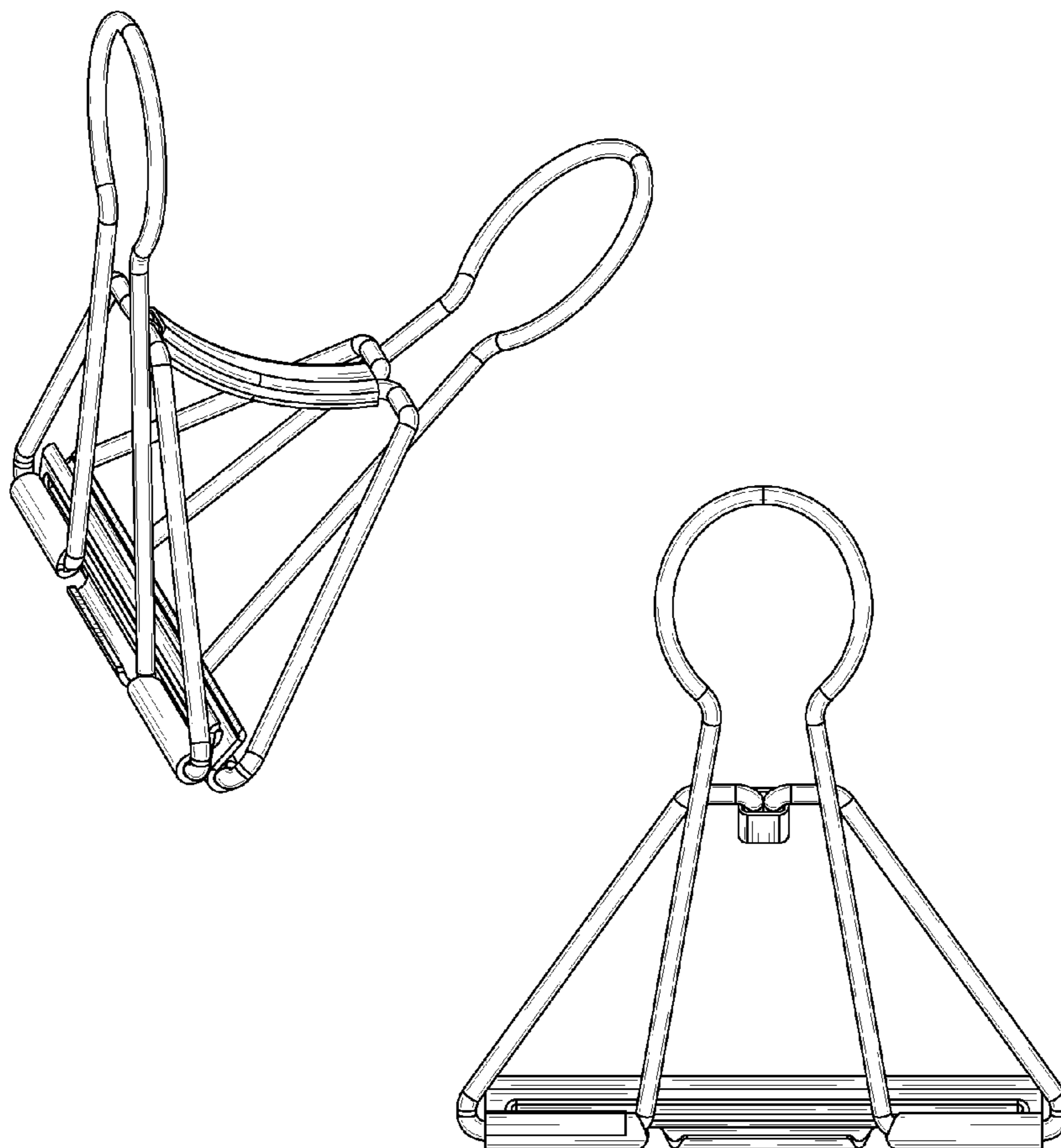
(57) **CLAIM**

The ornamental design for a stationery clip, as shown and described.

DESCRIPTION

FIG. 1 is a top perspective view of a stationery clip embodying my new design;
FIG. 2 is a side elevational view thereof;
FIG. 3 is a front elevational view thereof, the rear elevational view being a mirror image thereof;
FIG. 4 is a top plan view thereof; and,
FIG. 5 is a bottom plan view thereof.

1 Claim, 2 Drawing Sheets



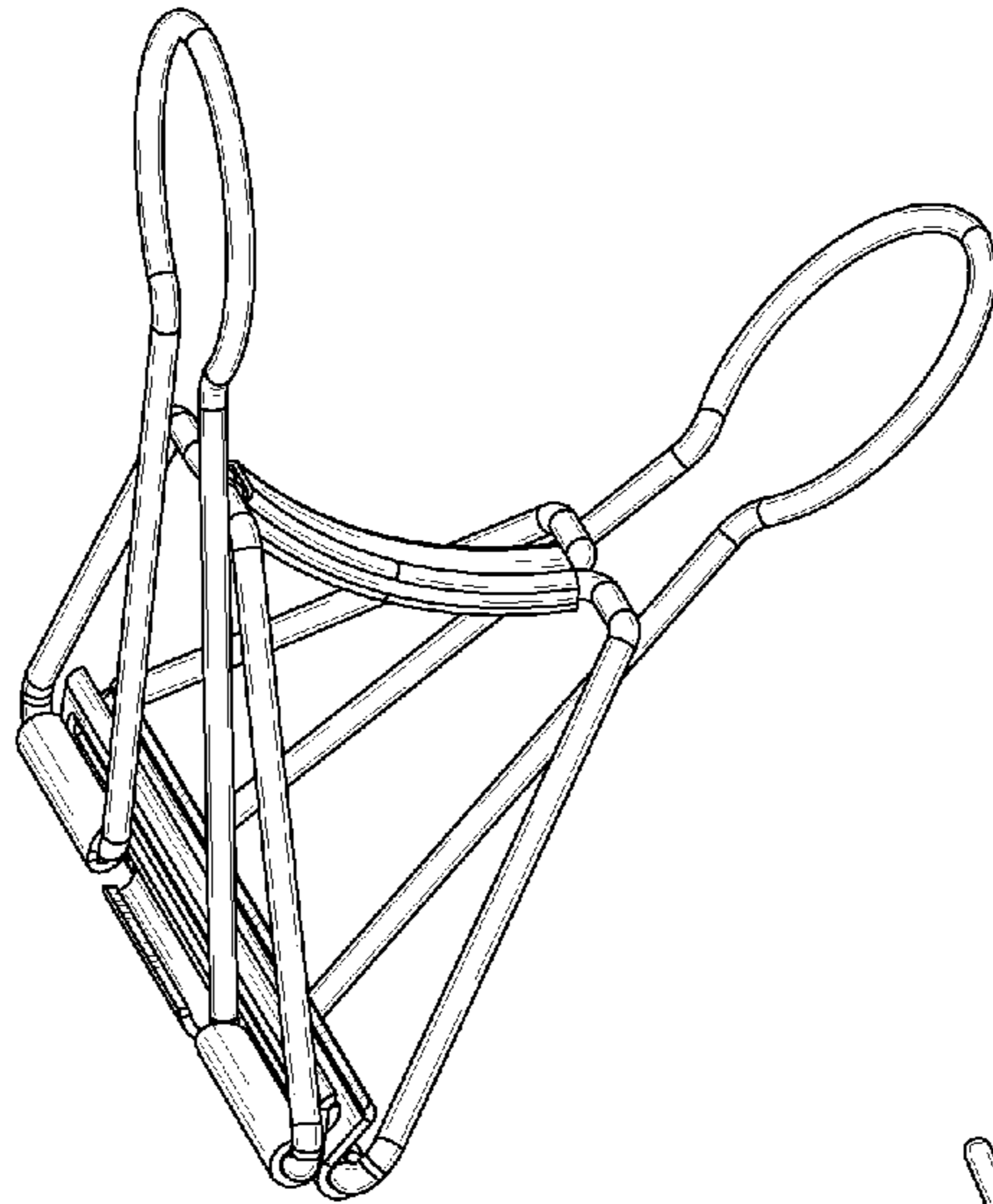


FIG. 1

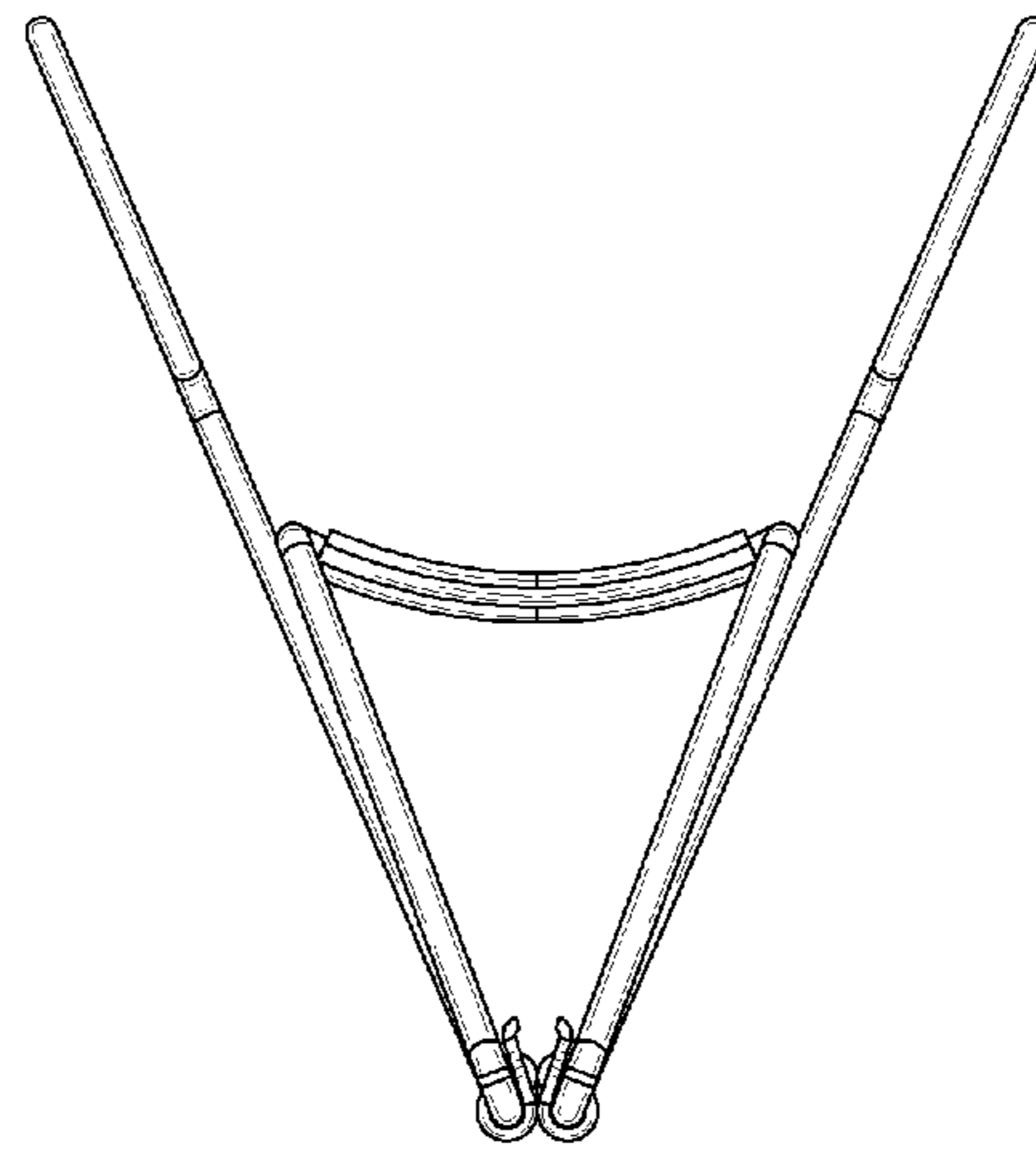


FIG. 2

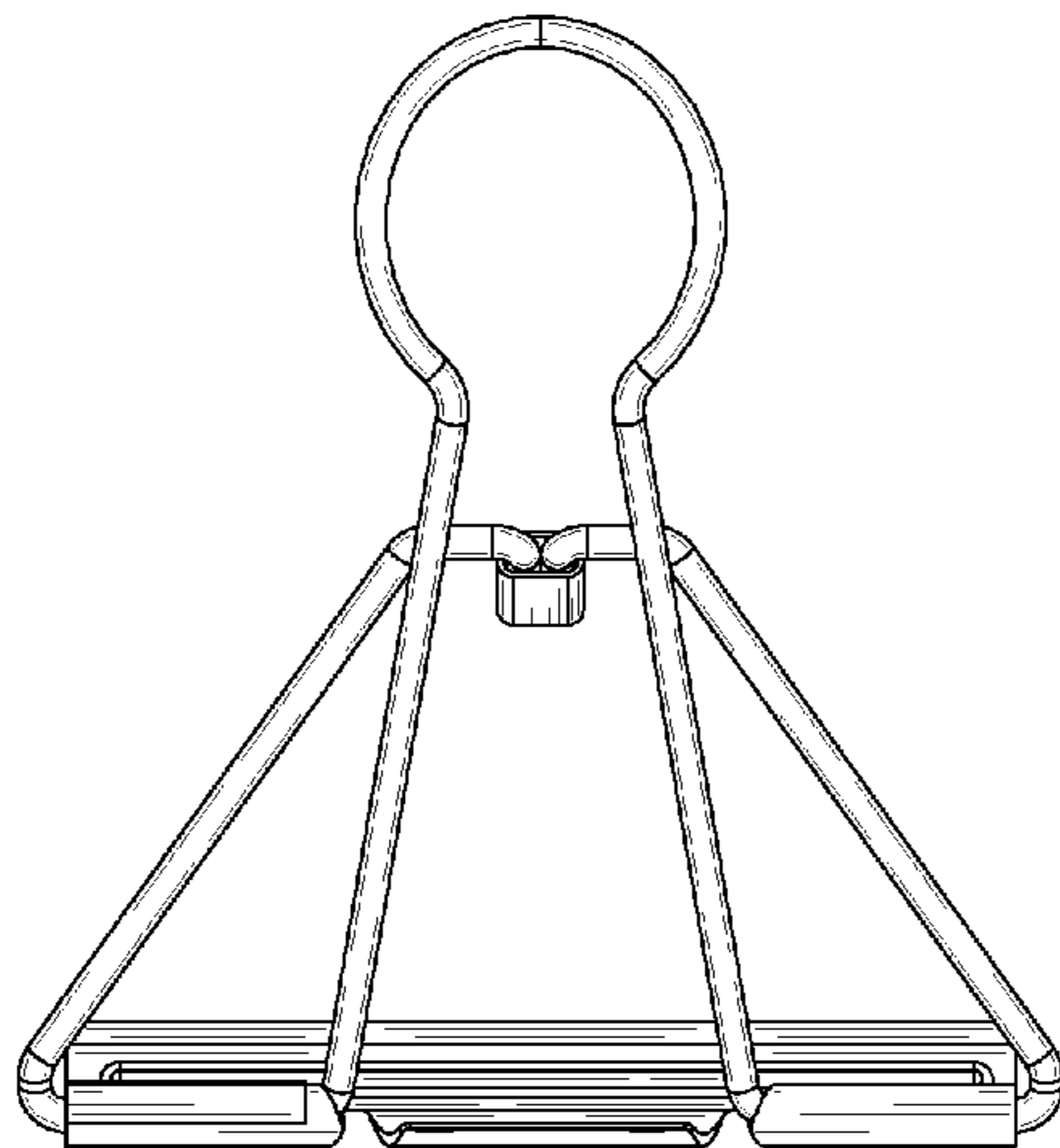


FIG. 3

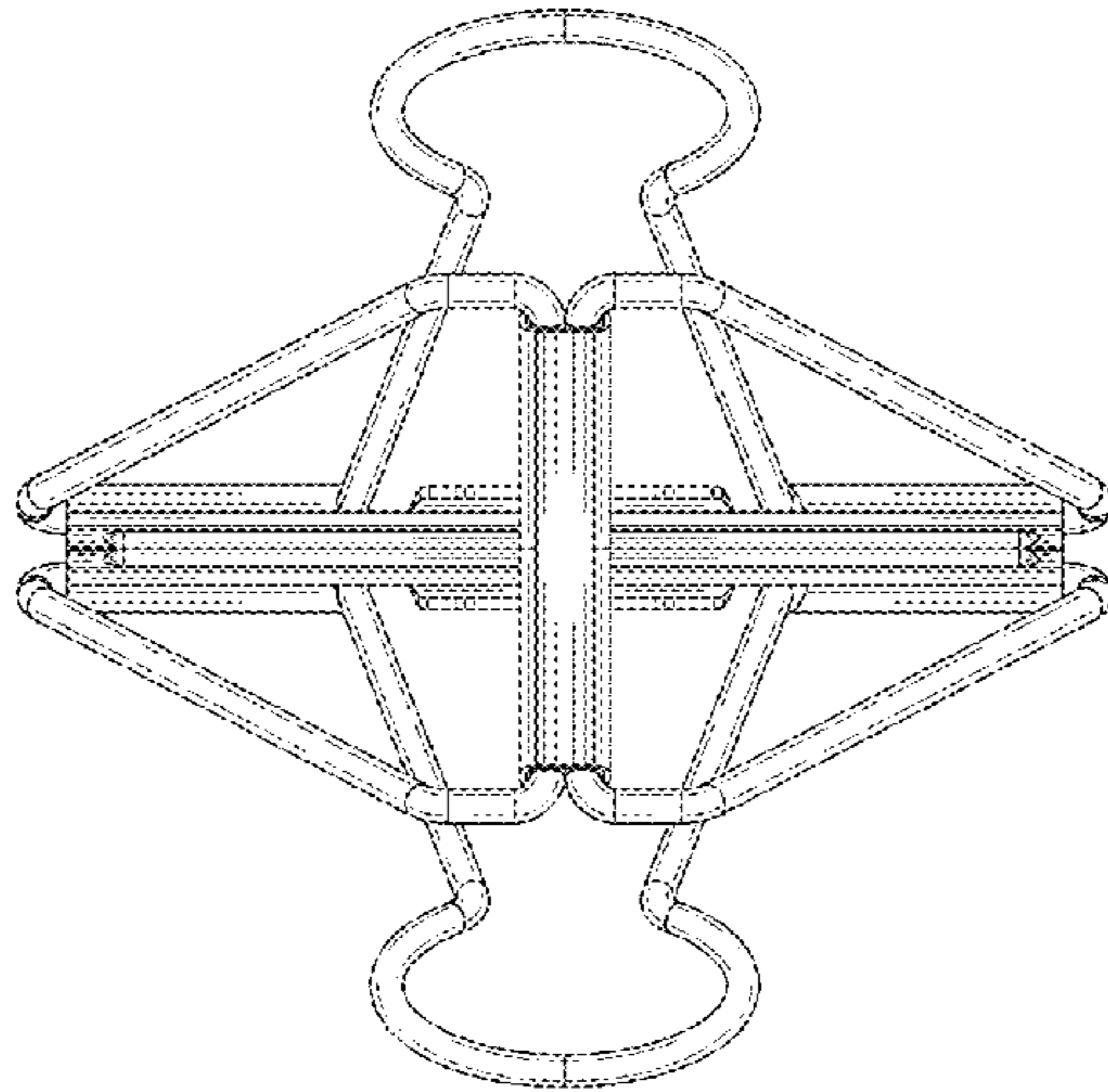


FIG. 4

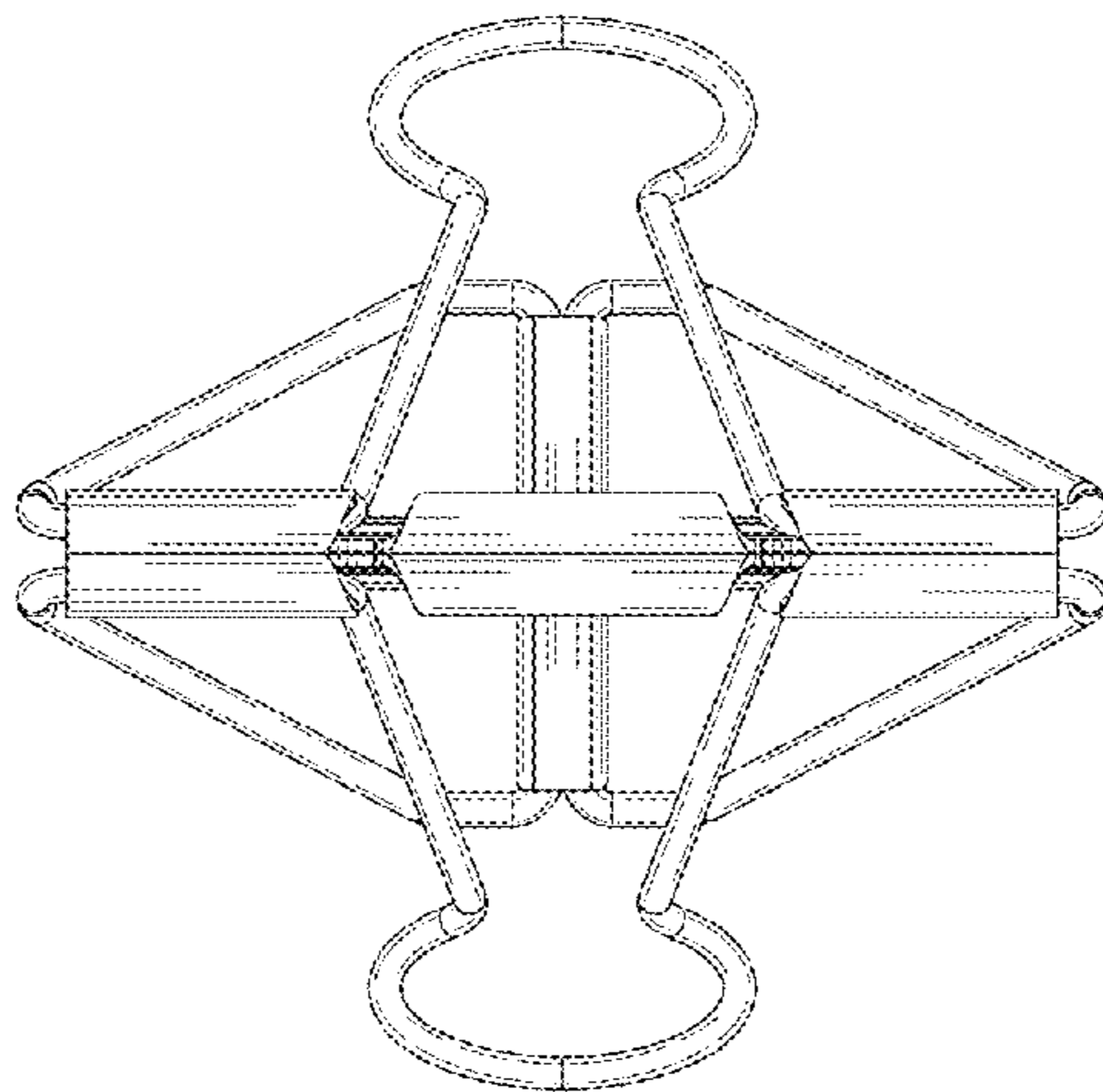


FIG. 5