



US00D667883S

(12) **United States Design Patent**
Chen

(10) **Patent No.:** **US D667,883 S**

(45) **Date of Patent:** **** Sep. 25, 2012**

(54) **PEN**

(75) **Inventor:** **Bei Chen, Ningbo (CN)**

(73) **Assignee:** **Beifa Group Co., Ltd., Ningbo (CN)**

(**) **Term:** **14 Years**

(21) **Appl. No.:** **29/392,719**

(22) **Filed:** **May 25, 2011**

(30) **Foreign Application Priority Data**

Nov. 26, 2010 (CN) 2010 3 0637405

(51) **LOC (9) Cl.** **19-06**

(52) **U.S. Cl.** **D19/51**

(58) **Field of Classification Search** D19/35,
D19/36, 41-51, 54-58; D14/411; 24/11 F,
24/11 P, 11 R; 401/52, 99, 104-109, 192,
401/195, 196

See application file for complete search history.

(56) **References Cited**

U.S. PATENT DOCUMENTS

D143,176 S	12/1945	Whitehouse	
2,473,689 A *	6/1949	Colstad	24/11 R
D155,031 S	8/1949	Patterson	
D310,100 S	8/1990	Yubisui	
D314,843 S	2/1991	Kamali	
D321,009 S	10/1991	Yubisui	
D327,707 S	7/1992	Katami	
D329,461 S	9/1992	Katami	
D355,440 S	2/1995	Lin	
D366,902 S *	2/1996	Takahashi	D19/51
D391,606 S *	3/1998	Compte	D19/51
D401,278 S	11/1998	Hu	
D422,023 S *	3/2000	Tedaldi et al.	D19/43
D425,123 S *	5/2000	Creamer	D19/54
D446,242 S *	8/2001	Stukenemper	D19/43
D452,271 S *	12/2001	Owen et al.	D19/43

D458,305 S *	6/2002	Iwase et al.	D19/43
D480,421 S *	10/2003	Hui	D19/43
D483,067 S *	12/2003	Takanashi	D19/43
D516,625 S *	3/2006	Bertheaux	D19/51
D552,673 S *	10/2007	Rolion et al.	D19/47
D553,190 S *	10/2007	Qiu	D19/48
D562,382 S *	2/2008	Qiu	D19/35
D576,677 S	9/2008	Jeon	
D577,066 S	9/2008	Zhao	
D577,068 S	9/2008	Soetewey	
D579,496 S	10/2008	Qiu	
D583,865 S *	12/2008	Kwok	D19/49
D591,351 S	4/2009	Shi	
D599,404 S *	9/2009	Hung	D19/51
D616,025 S	5/2010	Yan	
D619,651 S *	7/2010	Zhang	D19/51

(Continued)

OTHER PUBLICATIONS

Zhang, B., "Pen," U.S. Appl. No. 29/386,407, filed Feb. 28, 2011.

Primary Examiner — Elizabeth Albert

(74) *Attorney, Agent, or Firm* — Christensen O'Connor Johnson Kindness PLLC

(57) **CLAIM**

The ornamental design for a pen, as shown and described.

DESCRIPTION

FIG. 1 is an upper front right perspective view of a pen showing my new design;

FIG. 2 is a front elevation view thereof;

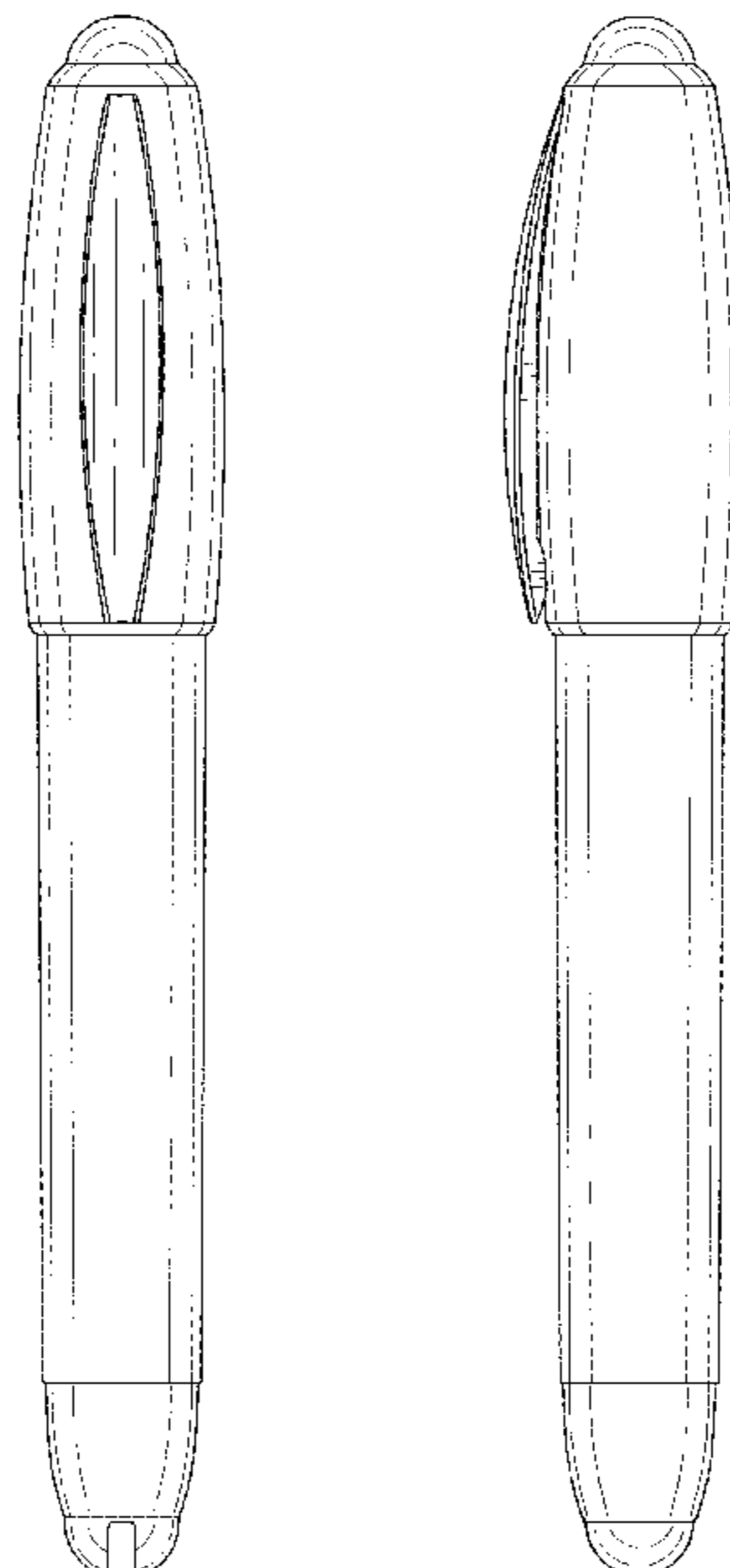
FIG. 3 is a right side elevation view thereof, with the left side elevation view being a mirror image of the right side elevation view;

FIG. 4 is a rear elevation view thereof;

FIG. 5 is an enlarged top plan view thereof; and,

FIG. 6 is an enlarged bottom plan view thereof.

1 Claim, 4 Drawing Sheets



US D667,883 S

Page 2

U.S. PATENT DOCUMENTS				D641,783 S *	7/2011	Lira-Nunez et al.	D19/48
D628,241 S *	11/2010	Stukenkemper	D19/48	D645,083 S *	9/2011	Stukenkemper	D19/48
D628,629 S *	12/2010	Liu	D19/36				
D641,404 S *	7/2011	Nishida	D19/47	* cited by examiner			

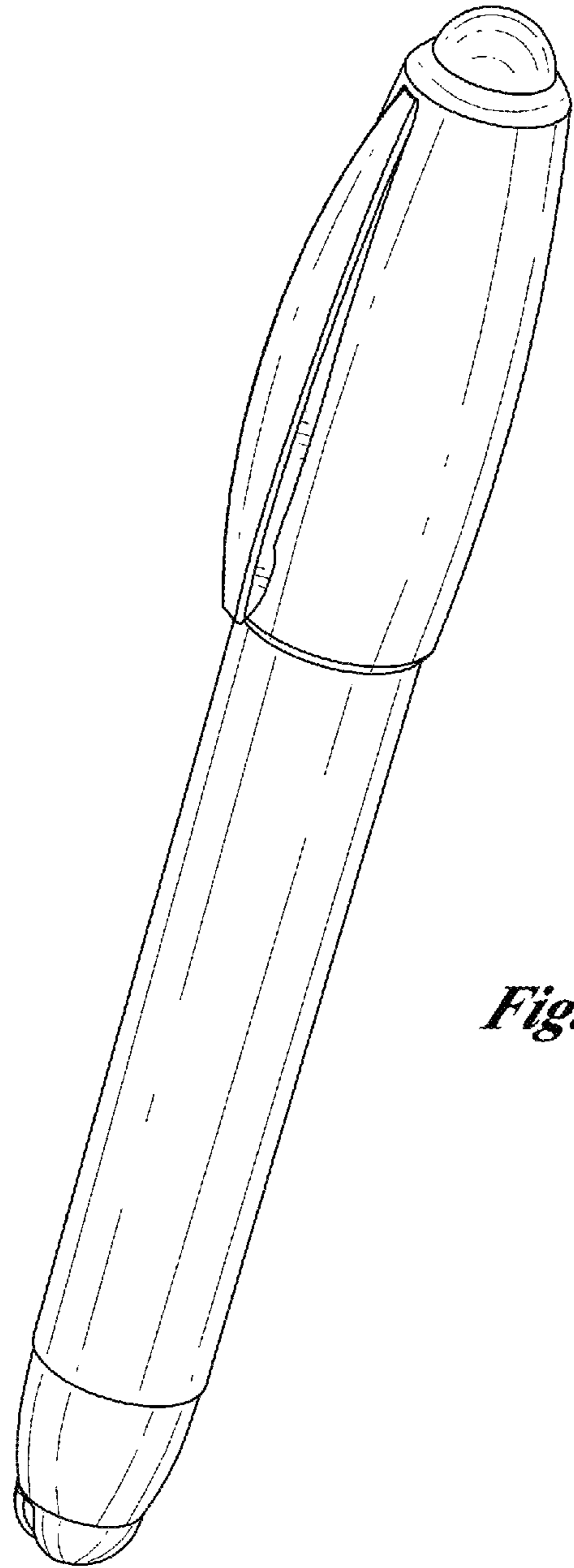


Fig.1

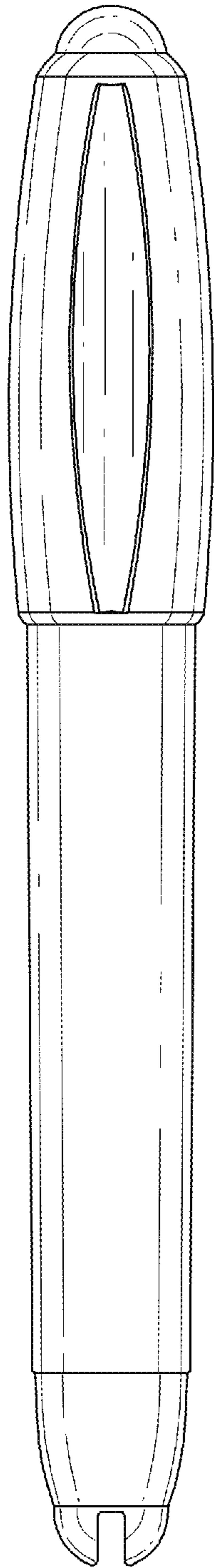


Fig. 2

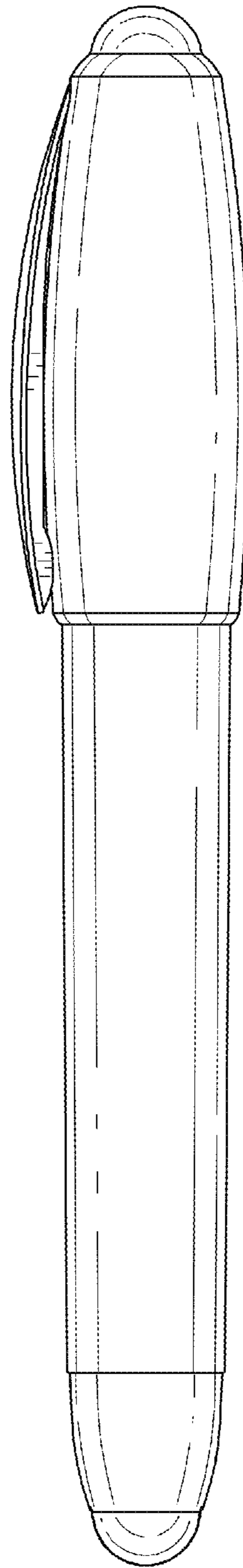


Fig. 3

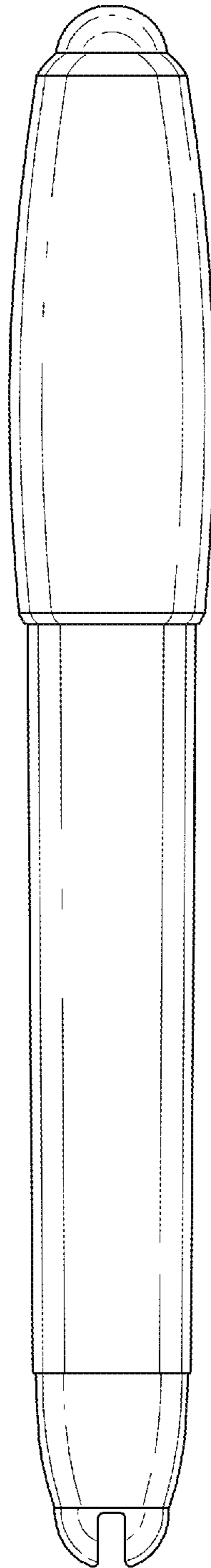


Fig. 4

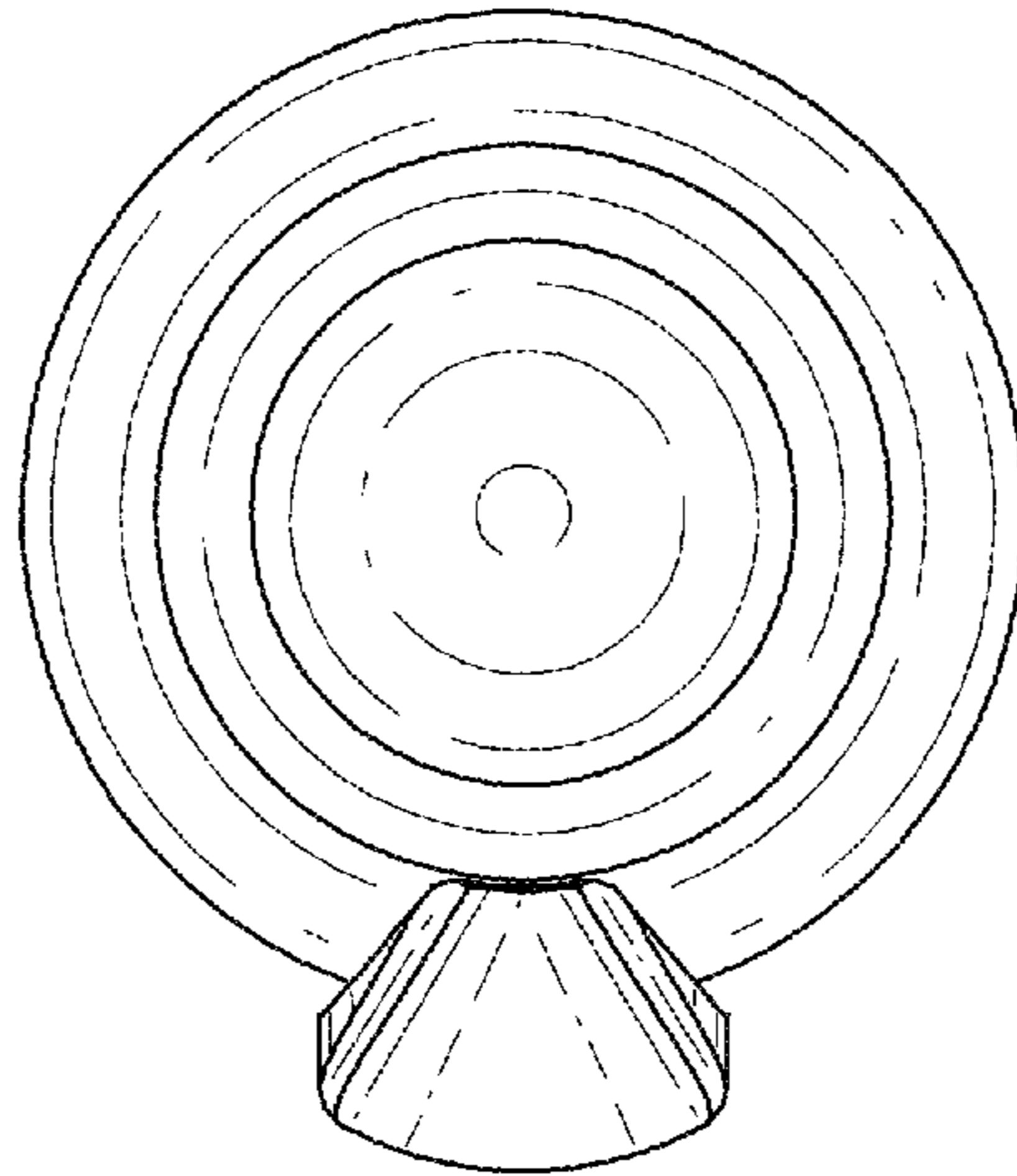


Fig. 5

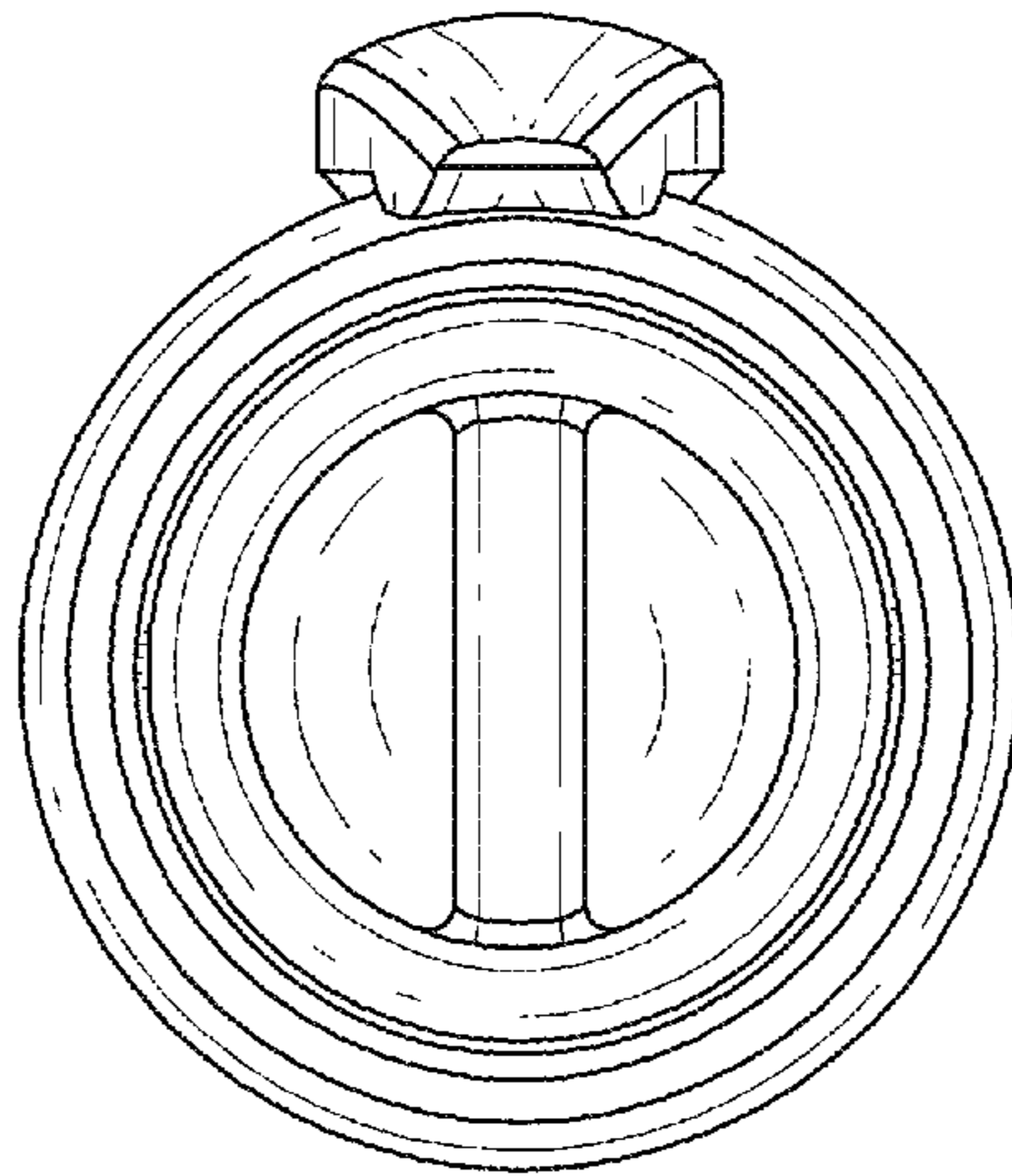


Fig. 6