

US00D667881S

(12) **United States Design Patent**
Li

(10) **Patent No.:** **US D667,881 S**

(45) **Date of Patent:** **** Sep. 25, 2012**

(54) **PEN**

(75) **Inventor:** **Bin Li, Ningbo (CN)**

(73) **Assignee:** **Beifa Group Co., Ltd., Ningbo (CN)**

(**) **Term:** **14 Years**

(21) **Appl. No.:** **29/392,692**

(22) **Filed:** **May 25, 2011**

(30) **Foreign Application Priority Data**

Nov. 26, 2010 (CN) 2010 3 0635459

(51) **LOC (9) Cl.** **19-06**

(52) **U.S. Cl.** **D19/48**

(58) **Field of Classification Search** D19/35,
D19/36, 41-51, 54-58; D14/411; 24/11 F,
24/11 P, 11 R; 401/52, 99, 104-109, 192,
401/195, 196

See application file for complete search history.

(56) **References Cited**

U.S. PATENT DOCUMENTS

D216,844 S *	3/1970	Shimada	D19/49
D269,189 S *	5/1983	Sakaoka	D19/48
D313,246 S	12/1990	Porsche		
D318,879 S	8/1991	Porsche		
D346,401 S *	4/1994	Sakuno	D19/48
D377,664 S *	1/1997	Izushima	D19/51
D396,058 S	7/1998	Schmidt		
D400,580 S	11/1998	Schmidt		
D404,428 S *	1/1999	Takahashi	D19/49
D421,053 S *	2/2000	Izushima	D19/51
D421,772 S *	3/2000	Maruyama	D19/51
D430,209 S	8/2000	Rommel		
D440,602 S *	4/2001	Ikeda	D19/48
D475,406 S	6/2003	Cetera		
D490,107 S	5/2004	Wong		
D490,108 S	5/2004	Moon		
D491,983 S	6/2004	Izushima		
D499,139 S	11/2004	Oka		

D500,522 S *	1/2005	Rommel	D19/51
D502,507 S	3/2005	Wang		
D531,666 S *	11/2006	Volk	D19/50
D545,365 S	6/2007	Lecce		
D548,788 S	8/2007	Anand		
D562,895 S	2/2008	Shibata		
D566,176 S *	4/2008	Rolion et al.	D19/46
D583,864 S	12/2008	Liu		
D594,059 S *	6/2009	Shibata	D19/48
D609,744 S	2/2010	Rathod		
D611,535 S	3/2010	Shimizu		
D619,169 S *	7/2010	Kent et al.	D19/48
D619,170 S	7/2010	Kent		
D622,317 S *	8/2010	Li	D19/50
D628,637 S *	12/2010	Xiao	D19/48
D643,877 S *	8/2011	Soetewey	D19/49
D648,789 S *	11/2011	Shibata	D19/48
D648,790 S *	11/2011	Nakazawa	D19/50

(Continued)

OTHER PUBLICATIONS

Fei, Y., "Pen," U.S. Appl. No. 29/298,536, filed Dec. 6, 2007.

(Continued)

Primary Examiner — Elizabeth Albert

(74) *Attorney, Agent, or Firm* — Christensen O'Connor Johnson Kindness PLLC

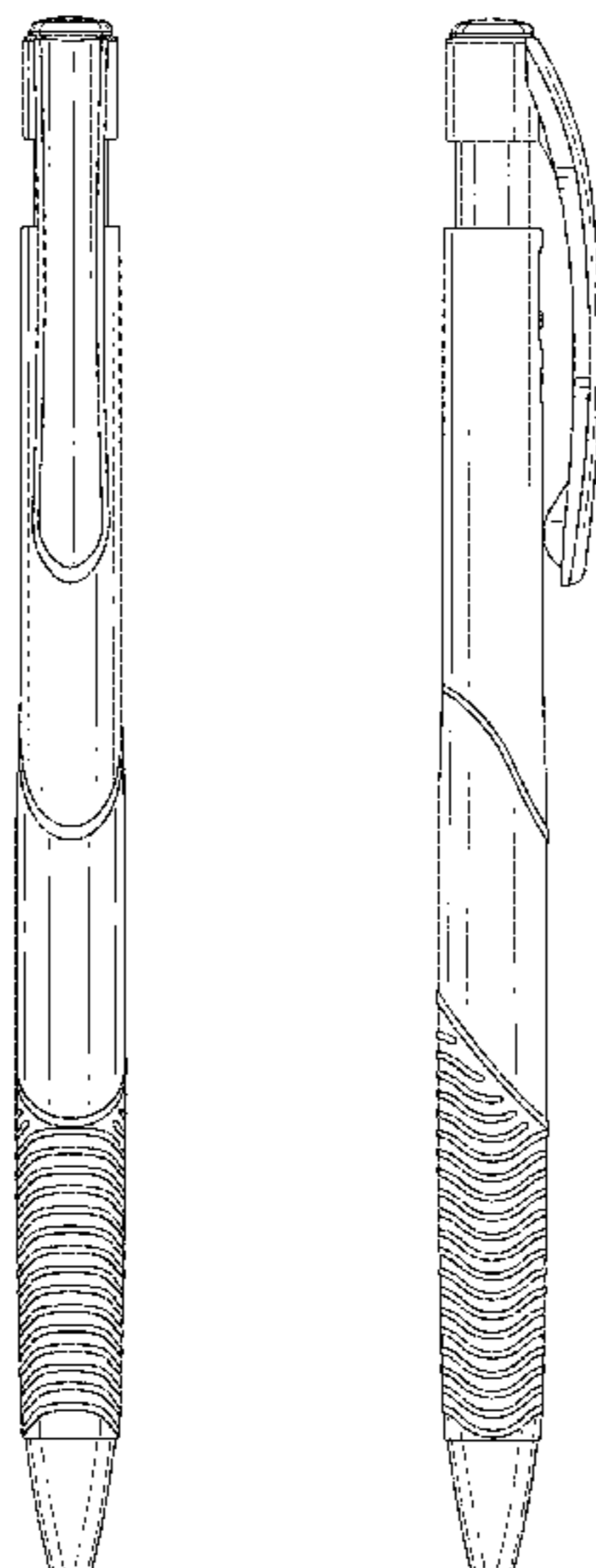
(57) **CLAIM**

The ornamental design for a pen, as shown and described.

DESCRIPTION

FIG. 1 is an upper front right perspective view of a pen showing my new design;
FIG. 2 is a front elevation view thereof;
FIG. 3 is an enlarged top plan view thereof;
FIG. 4 is a rear elevation view thereof;
FIG. 5 is a right side elevation view thereof;
FIG. 6 is an enlarged bottom plan view thereof; and,
FIG. 7 is a left side elevation view thereof.

1 Claim, 3 Drawing Sheets



US D667,881 S

Page 2

U.S. PATENT DOCUMENTS

D652,080 S * 1/2012 Shibata D19/48

OTHER PUBLICATIONS

Liang, W., "Pen," U.S. Appl. No. 29/383,356, filed Jan. 14, 2011.

Yan, M., "Pen," U.S. Appl. No. 29/389,375, filed Apr. 11, 2011.

Yuan, F., "Pen," U.S. Appl. No. 29/383,557, filed Jan. 19, 2011.

Yuan, F., "Pen," U.S. Appl. No. 29/383,702, filed Jan. 20, 2011.

Yuan, F., "Pen," U.S. Appl. No. 29/383,704, filed Jan. 20, 2011.

* cited by examiner

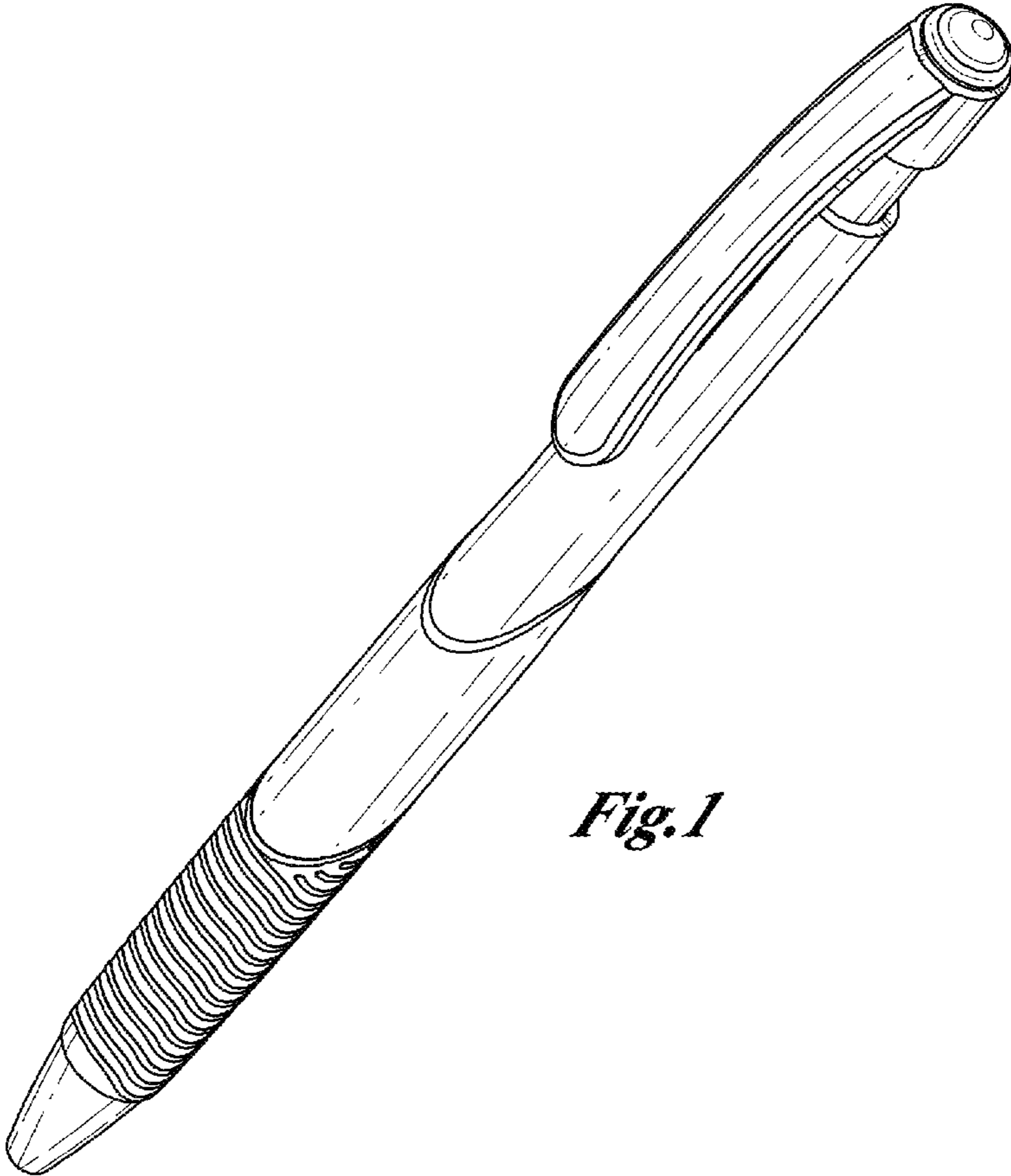


Fig. 1

Fig.2

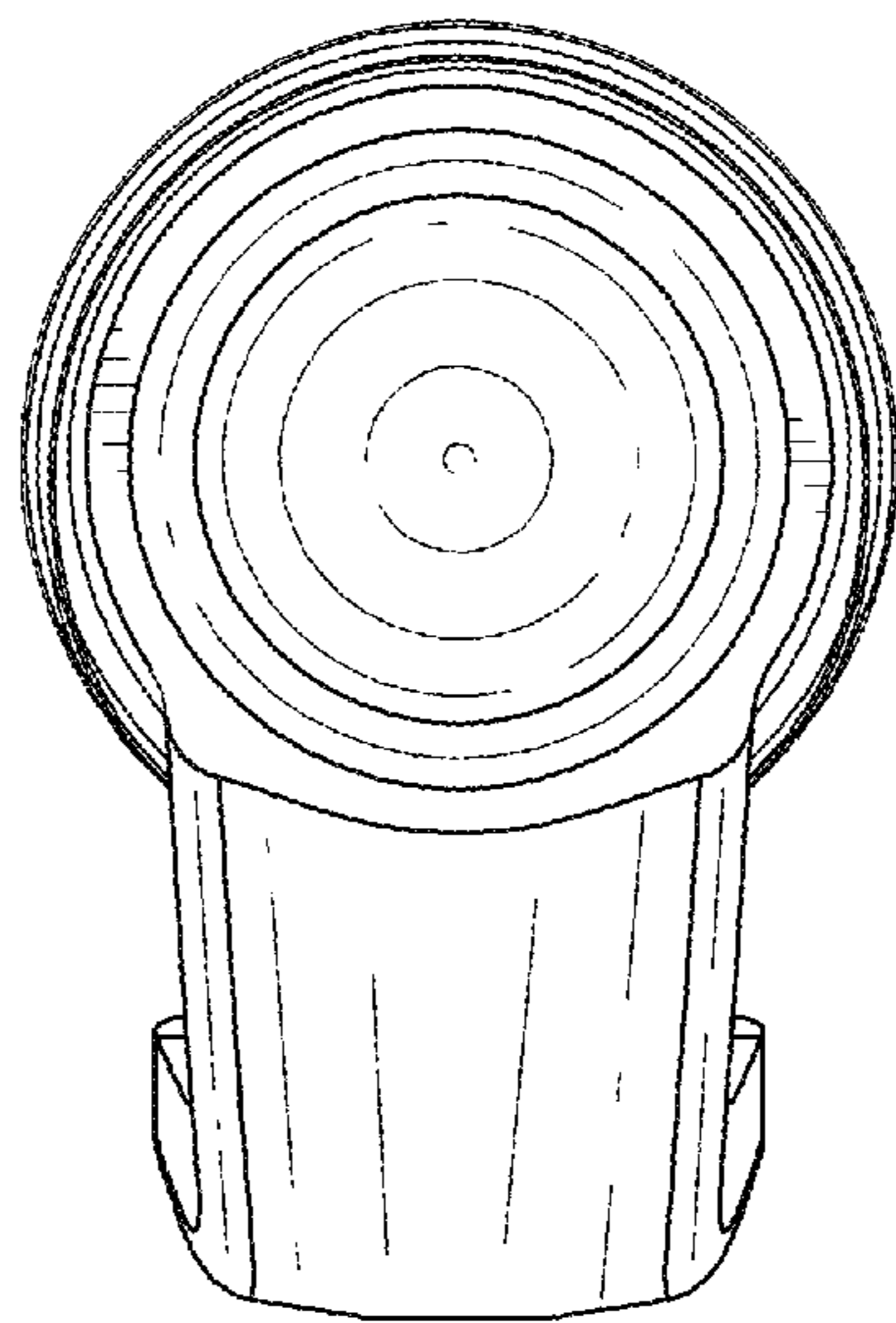
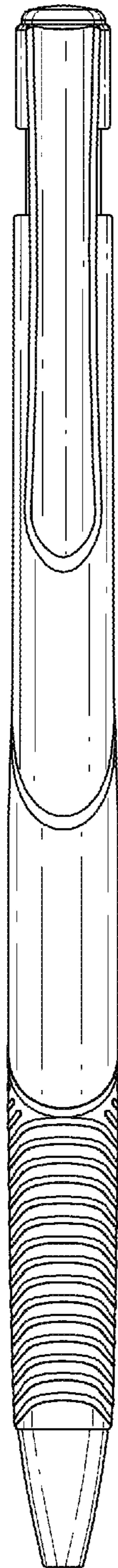


Fig.3

Fig.4

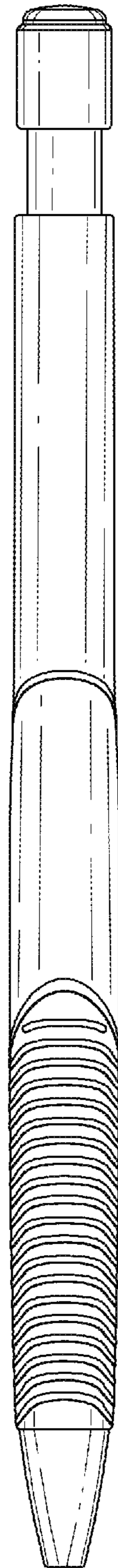




Fig. 5

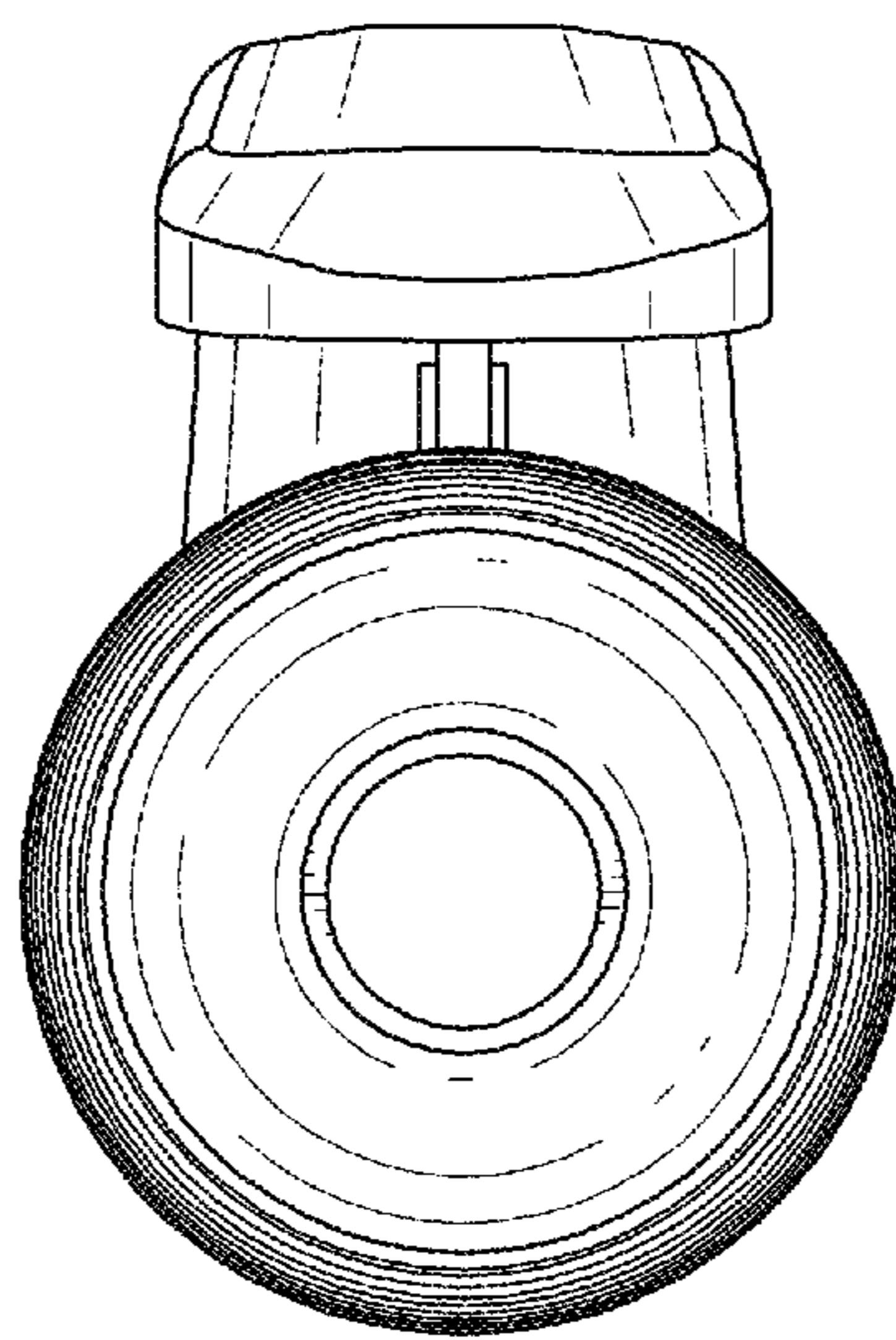


Fig. 6

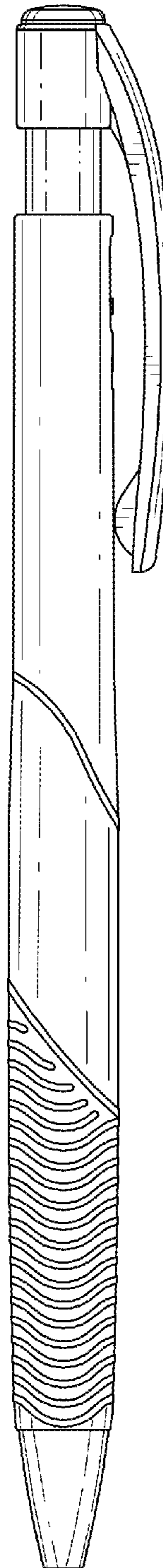


Fig. 7