

US00D667880S

(12) **United States Design Patent**
Zhang

(10) **Patent No.:** **US D667,880 S**
(45) **Date of Patent:** **** Sep. 25, 2012**

- (54) **PEN**
- (75) Inventor: **Youbin Zhang**, Ningbo (CN)
- (73) Assignee: **Beifa Group Co., Ltd.**, Ningbo (CN)
- (**) Term: **14 Years**
- (21) Appl. No.: **29/390,521**
- (22) Filed: **Apr. 26, 2011**
- (30) **Foreign Application Priority Data**

D495,001 S	8/2004	Anand	
D501,882 S	2/2005	Hamilton, Jr.	
D508,083 S *	8/2005	Cetera	D19/51
D545,367 S	6/2007	Ternovits	
D551,710 S *	9/2007	Tsuchida	D19/51
D558,269 S *	12/2007	Takanashi	D19/49
D562,389 S *	2/2008	Ikeda	D19/48
D562,397 S	2/2008	Qiu	
D562,398 S	2/2008	Qiu	
D575,339 S *	8/2008	Daida	D19/50
D580,978 S *	11/2008	Miller	D19/51
D586,854 S *	2/2009	Tan	D19/49
D589,559 S *	3/2009	Slemp	D19/51
D592,245 S *	5/2009	Yu et al.	D19/47
D593,604 S	6/2009	Yu	

(Continued)

Oct. 26, 2010 (CN) 2010 3 0574401

- (51) **LOC (9) Cl.** **19-06**
- (52) **U.S. Cl.** **D19/47**
- (58) **Field of Classification Search** D19/35,
D19/36, 41-51, 54-58; D14/411; 24/11 F,
24/11 P, 11 R; 401/52, 99, 104-109, 192,
401/195, 196
See application file for complete search history.

(56) **References Cited**

U.S. PATENT DOCUMENTS

D363,084 S	10/1995	Hollington	
D368,738 S	4/1996	Osada	
D388,825 S	1/1998	Kouda	
D418,163 S	12/1999	Rosen	
D425,559 S	5/2000	Pellissa	
D433,447 S	11/2000	Rosenbaum	
D433,704 S	11/2000	Kouda	
D435,065 S	12/2000	Nagel	
D438,903 S	3/2001	Rosenbaum	
D443,896 S	6/2001	Keil	
D444,499 S *	7/2001	Nakazawa	D19/49
D451,547 S	12/2001	Nishida	
D452,526 S *	12/2001	Nishida	D19/43
D452,878 S *	1/2002	Candelora et al.	D19/43
D461,501 S *	8/2002	Nishida	D19/43
D463,821 S	10/2002	Nishida	
D472,577 S *	4/2003	Sakuno et al.	D19/51

OTHER PUBLICATIONS

Zhang, Y., "Pen," U.S. Appl. No. 29/387,803, filed Mar. 18, 2011.
Zhang, Y., "Pen," U.S. Appl. No. 29/387,805, filed Mar. 18, 2011.
Zhang, Y., "Pen," U.S. Appl. No. 29/390,517, filed Apr. 26, 2011.

Primary Examiner — Elizabeth Albert

(74) *Attorney, Agent, or Firm* — Christensen O'Connor Johnson Kindness PLLC

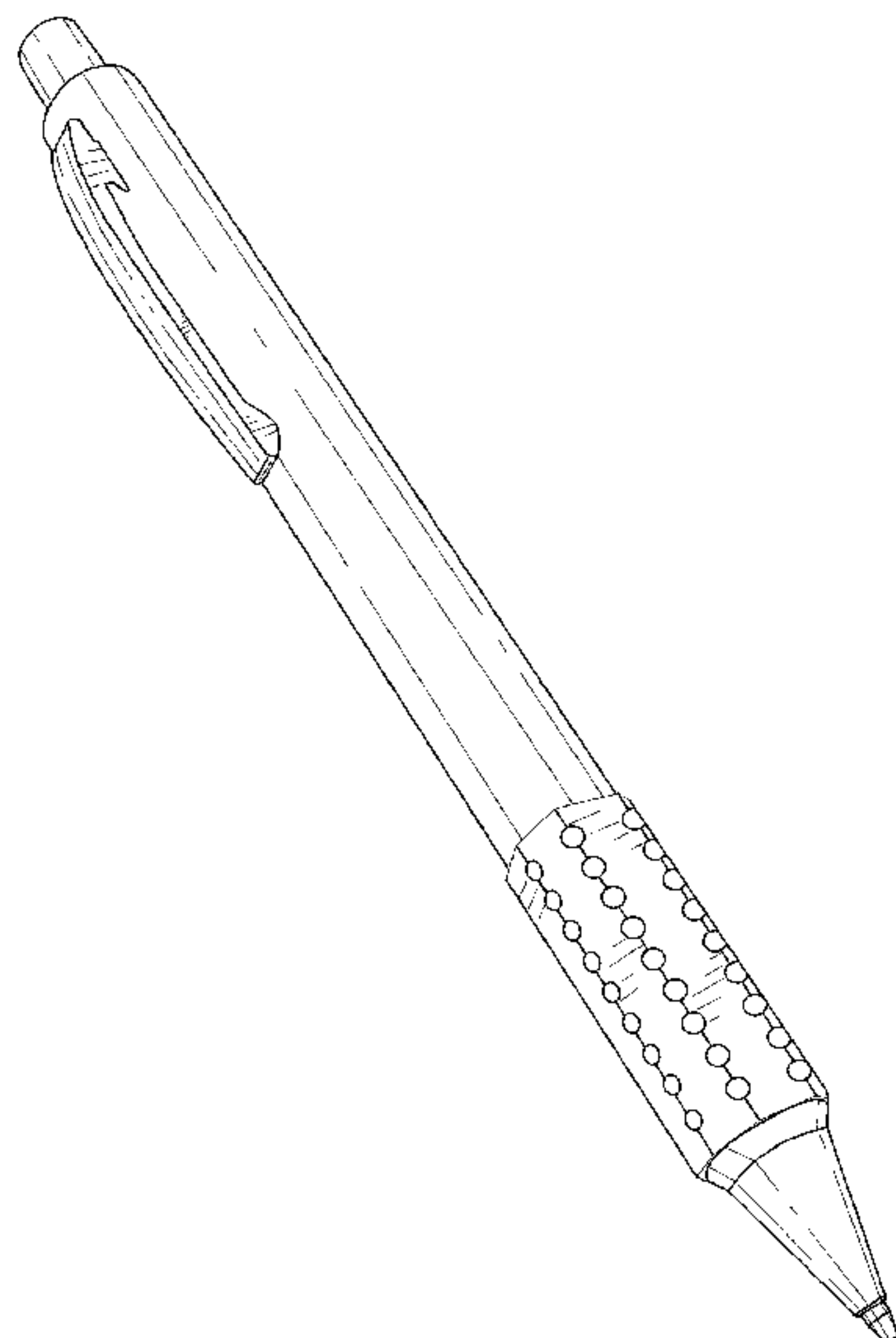
(57) **CLAIM**

The ornamental design for a pen, as shown and described.

DESCRIPTION

FIG. 1 is a lower front right perspective view of a pen showing my new design;
FIG. 2 is a front elevation view thereof;
FIG. 3 is a rear elevation view thereof;
FIG. 4 is a left side elevation view thereof, with the right side elevation view being a mirror image of the left side elevation view;
FIG. 5 is an enlarged top plan view thereof; and,
FIG. 6 is an enlarged bottom plan view thereof.

1 Claim, 3 Drawing Sheets



US D667,880 S

Page 2

U.S. PATENT DOCUMENTS

D598,953 S *	8/2009	Yu et al.	D19/47	D629,461 S *	12/2010	Shibata	D19/49
D611,538 S *	3/2010	Zhou	D19/51	D650,441 S *	12/2011	Ikeda	D19/47
D620,524 S *	7/2010	Shibata	D19/47	D651,243 S *	12/2011	Yuan	D19/49
D628,634 S	12/2010	Li		2011/0318083 A1 *	12/2011	Yoon	401/106
D628,635 S	12/2010	Li					

* cited by examiner

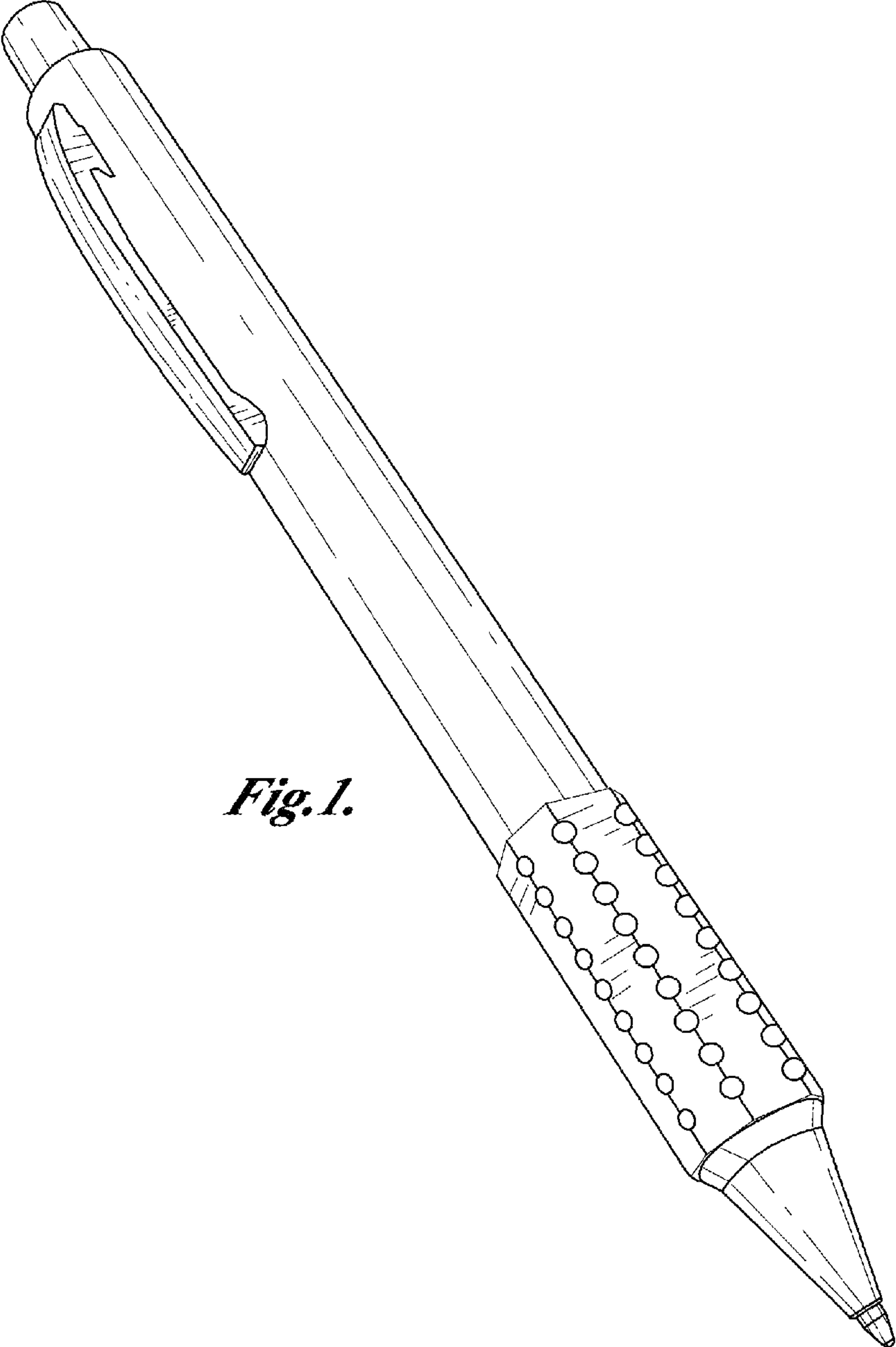


Fig. 1.

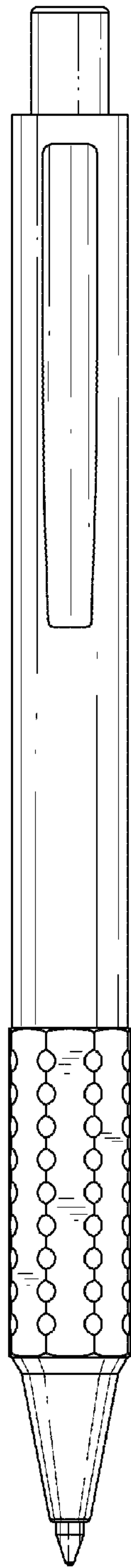


Fig. 2.

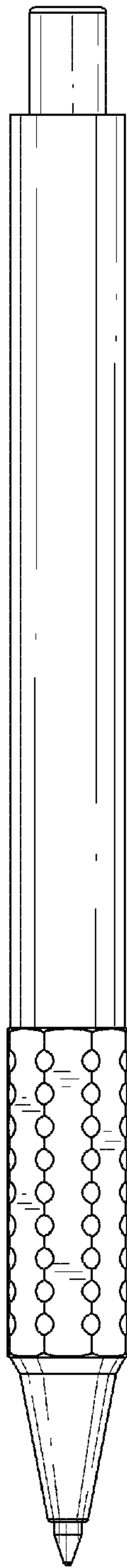


Fig. 3.

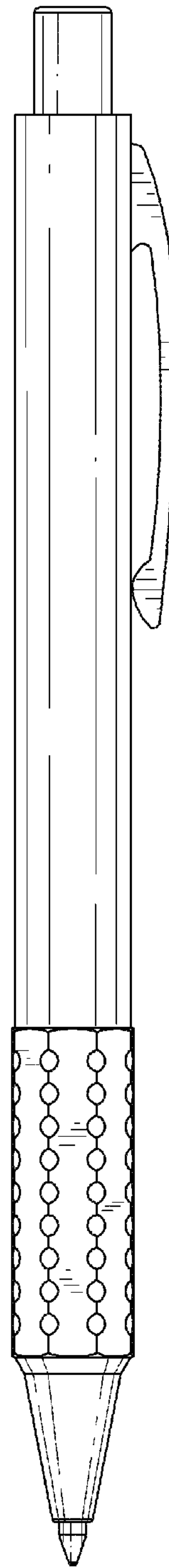


Fig. 4.

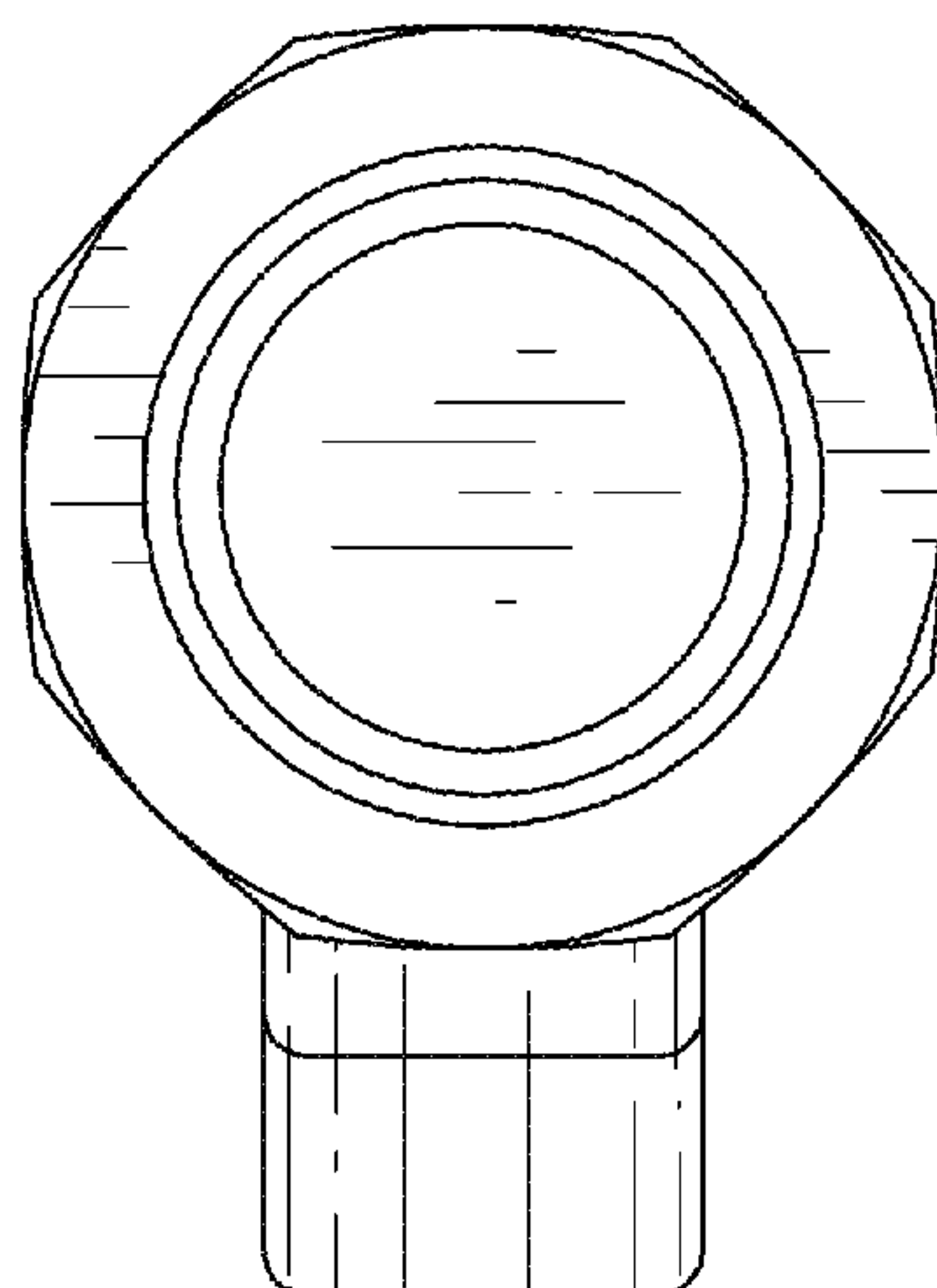


Fig. 5.

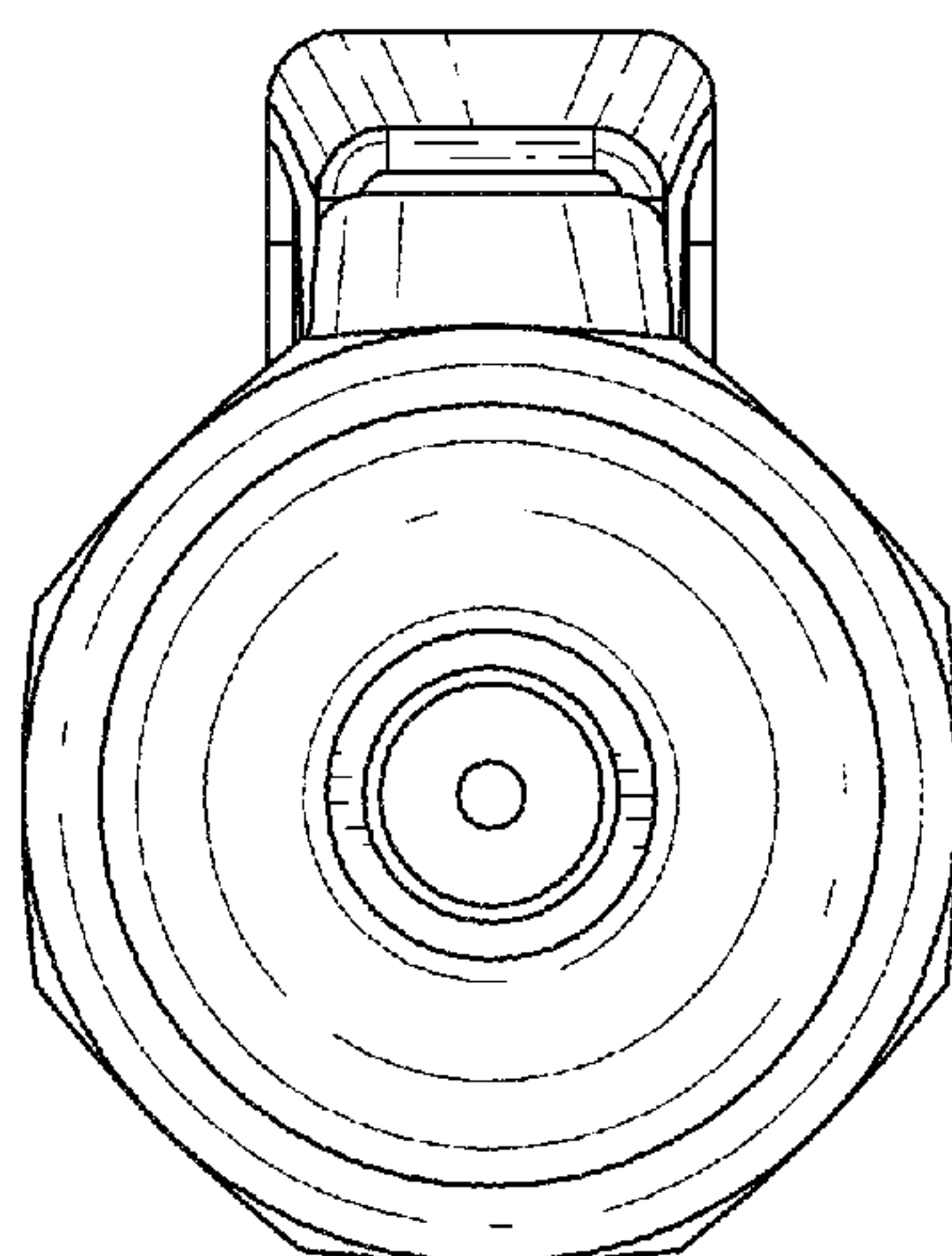


Fig. 6.