



US00D667879S

(12) **United States Design Patent**
Li

(10) **Patent No.:** **US D667,879 S**

(45) **Date of Patent:** **** Sep. 25, 2012**

(54) **PEN**

(75) Inventor: **Bin Li**, Ningbo (CN)

(73) Assignee: **Beifa Group Co., Ltd.**, Ningbo (CN)

(**) Term: **14 Years**

(21) Appl. No.: **29/394,999**

(22) Filed: **Jun. 23, 2011**

(30) **Foreign Application Priority Data**

Jan. 5, 2011 (CN) 2011 3 0000911

(51) **LOC (9) Cl.** **19-06**

(52) **U.S. Cl.** **D19/46**

(58) **Field of Classification Search** D19/35,
D19/36, 41-51, 54-58; D14/411; 24/11 F,
24/11 P, 11 R; 401/52, 99, 100-109, 192,
401/195, 196

See application file for complete search history.

(56) **References Cited**

U.S. PATENT DOCUMENTS

D179,053 S *	10/1956	Baker	D19/51
3,709,620 A *	1/1973	Miyamoto	401/195
D252,690 S *	8/1979	Wong	D19/36
D318,294 S *	7/1991	Cho-Kai	D19/48
D331,070 S *	11/1992	Hu Huang	D19/43
D363,084 S	10/1995	Hollington		
D388,119 S	12/1997	Kuramoto		
D436,623 S *	1/2001	Schmidt et al.	D19/46
D450,347 S	11/2001	Keda		
D452,274 S	12/2001	Keda		
D454,368 S *	3/2002	Pellissa Beneyto	D19/48
D457,917 S	5/2002	Traut		
D462,717 S *	9/2002	Rommel	D19/56
D467,614 S	12/2002	Pellissa Beneyto		

D485,300 S	1/2004	Schung		
D486,858 S	2/2004	Schung		
D499,448 S *	12/2004	Rommel	D19/50
D526,021 S *	8/2006	Lecce	D19/51
D534,955 S	1/2007	Huxiong		
D536,034 S *	1/2007	Penno	D19/51
D546,883 S *	7/2007	Briggl	D19/51
D551,711 S	9/2007	Pellissa Beneyto		
D562,896 S *	2/2008	Delaney	D19/51
D568,393 S	5/2008	Bhavnani		
D575,821 S	8/2008	Tan		
D576,210 S	9/2008	Qiu		
D590,883 S *	4/2009	Dong	D19/55
D591,353 S *	4/2009	Booker	D19/51
D596,228 S *	7/2009	Koch	D19/41
D597,135 S *	7/2009	Takanashi	D19/50
D598,955 S *	8/2009	Briggl	D19/50
D628,640 S	12/2010	Wang		
D647,965 S *	11/2011	Leibeck	D19/51
D656,989 S *	4/2012	Briggl	D19/36

* cited by examiner

Primary Examiner — Elizabeth Albert

(74) *Attorney, Agent, or Firm* — Christensen O'Connor Johnson Kindness PLLC

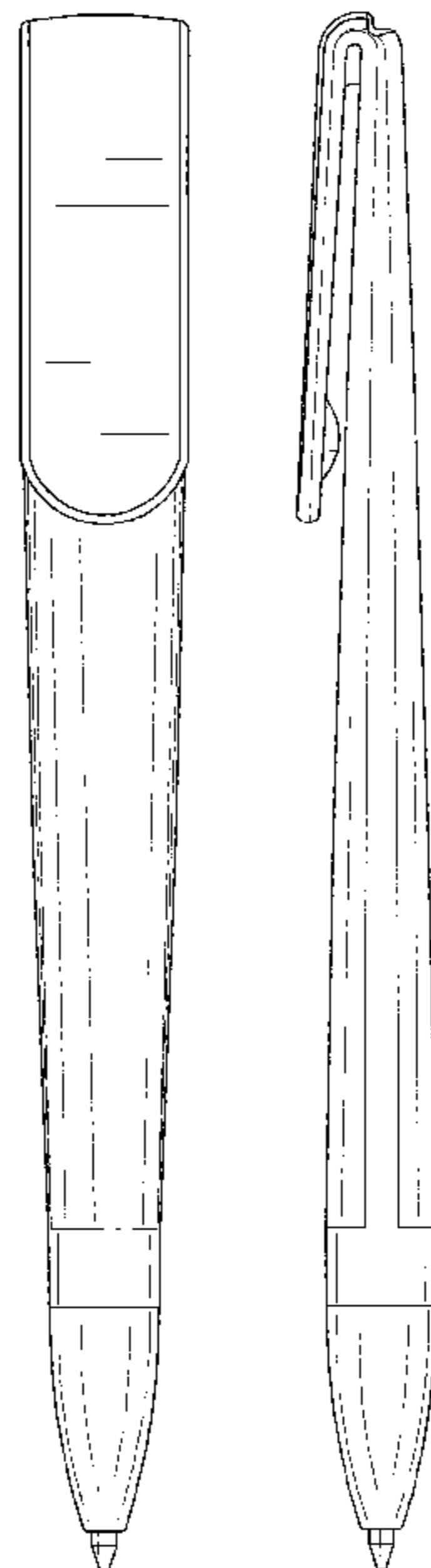
(57) **CLAIM**

The ornamental design for a pen, as shown and described.

DESCRIPTION

FIG. 1 is an upper front right perspective view of a pen showing my new design;
FIG. 2 is a front elevation view thereof;
FIG. 3 is a rear elevation view thereof;
FIG. 4 is a right side elevation view thereof, with the left side elevation view being a minor image of the right side elevation view;
FIG. 5 is an enlarged top plan view thereof; and,
FIG. 6 is an enlarged bottom plan view thereof.

1 Claim, 4 Drawing Sheets



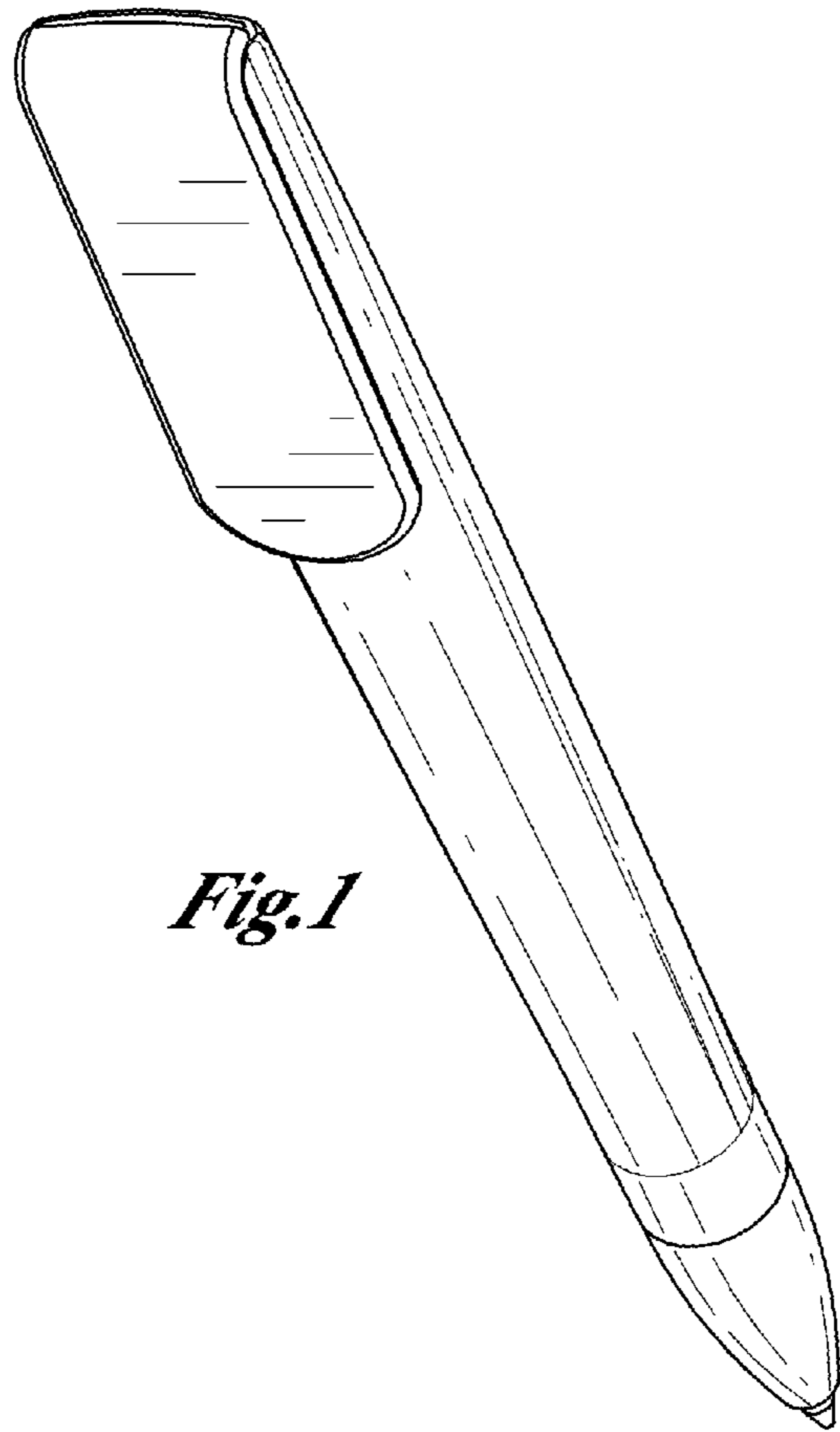


Fig. 1

Fig.2

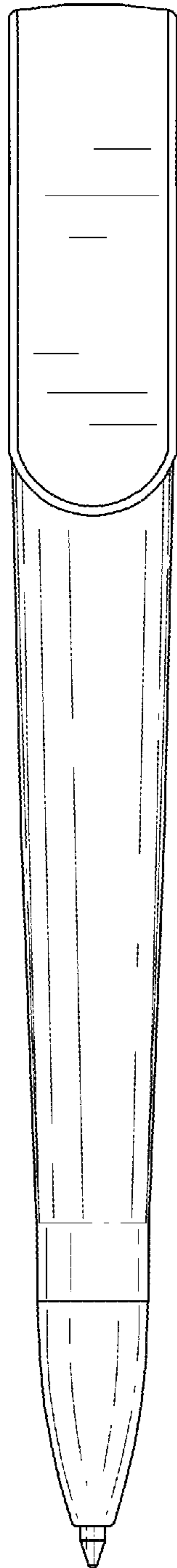
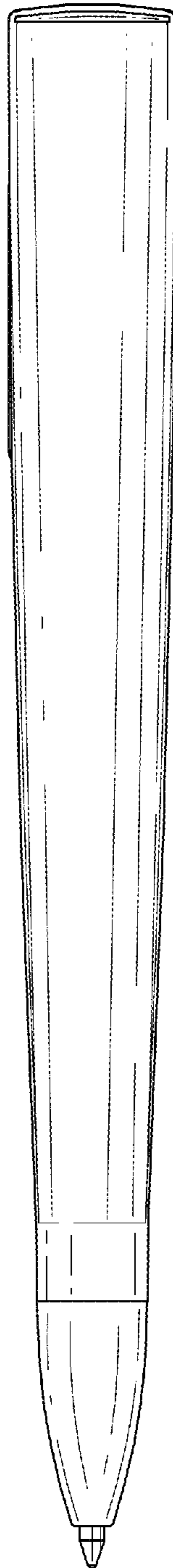


Fig.3



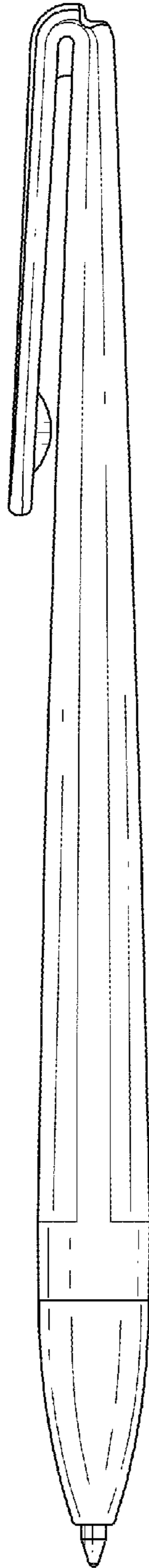


Fig. 4

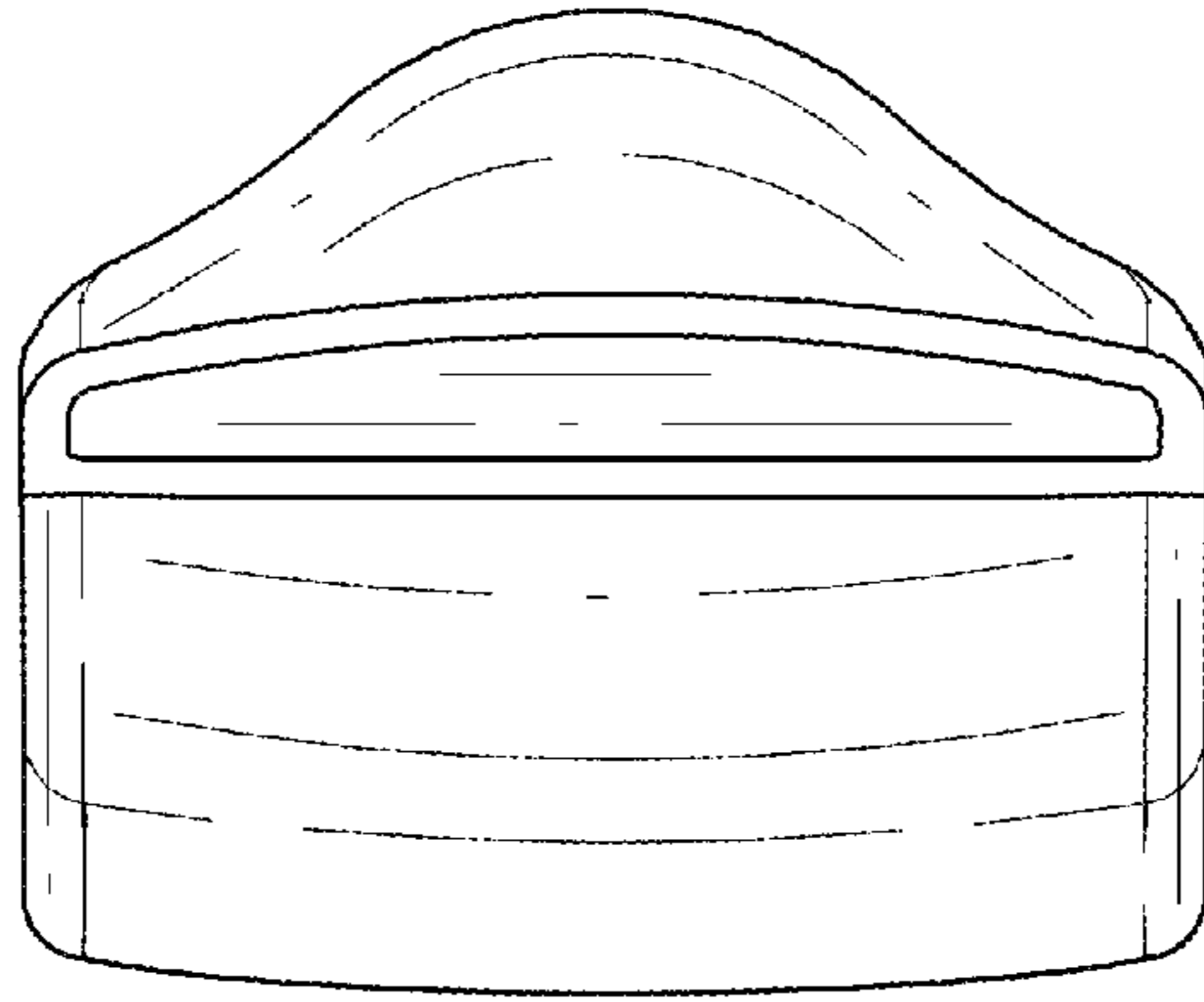


Fig. 5

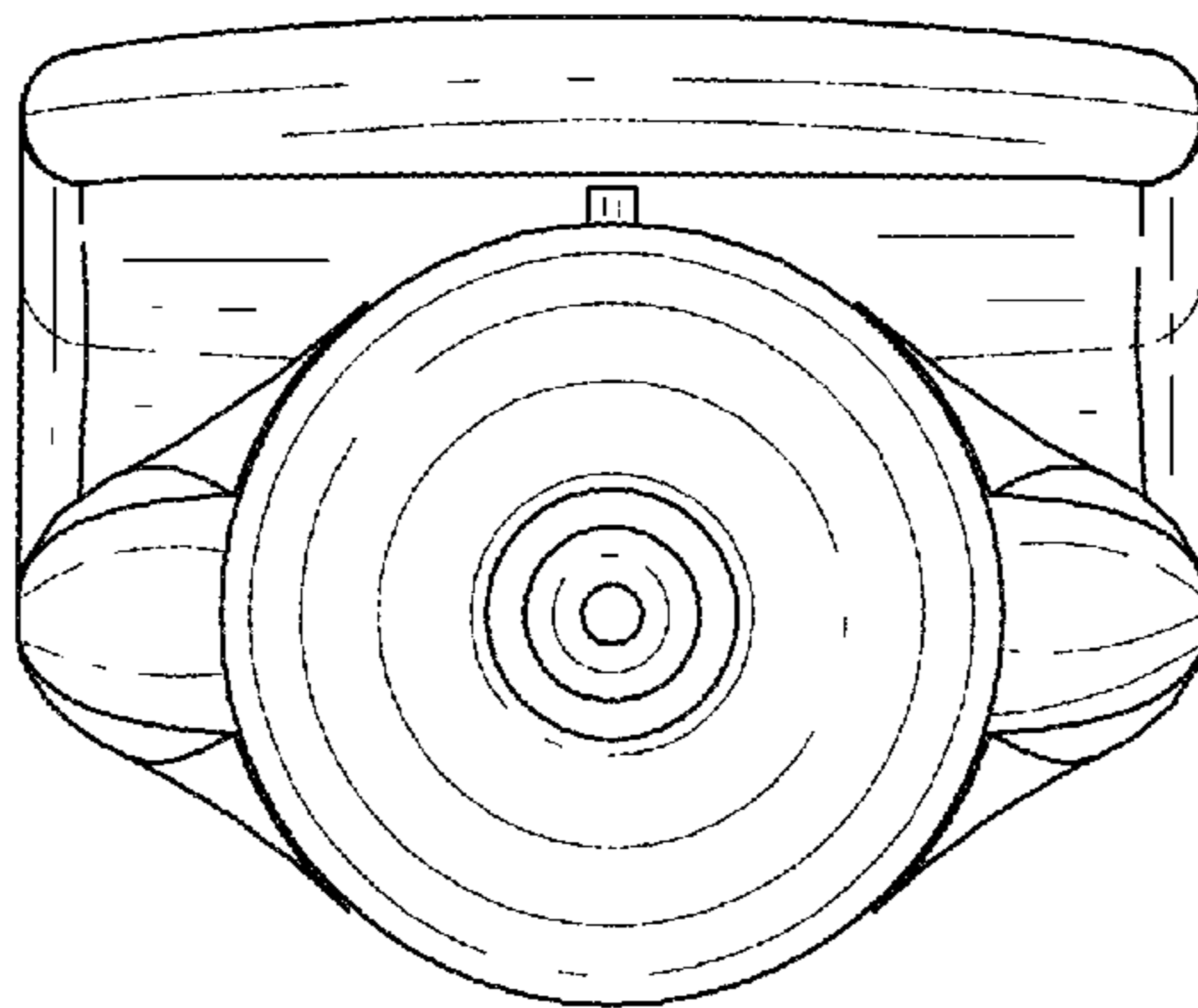


Fig. 6

UNITED STATES PATENT AND TRADEMARK OFFICE
CERTIFICATE OF CORRECTION

PATENT NO. : D667,879 S
APPLICATION NO. : 29/394999
DATED : September 25, 2012
INVENTOR(S) : B. Li

Page 1 of 1

It is certified that error appears in the above-identified patent and that said Letters Patent is hereby corrected as shown below:

COLUMN

LINE

(57)
Title Page, col. 2

Description
6 of text

“minor image” should read
--mirror image--

Signed and Sealed this
Fourteenth Day of May, 2013



Teresa Stanek Rea
Acting Director of the United States Patent and Trademark Office