



US00D667878S

(12) **United States Design Patent**  
**Xie**

(10) **Patent No.:** **US D667,878 S**

(45) **Date of Patent:** **\*\* Sep. 25, 2012**

(54) **PEN**

(75) Inventor: **Jianzhe Xie**, Ningbo (CN)

(73) Assignee: **Beifa Group Co., Ltd.**, Ningbo (CN)

(\*\*) Term: **14 Years**

(21) Appl. No.: **29/389,687**

(22) Filed: **Apr. 14, 2011**

(30) **Foreign Application Priority Data**

Oct. 14, 2010 (CN) ..... 2010 3 0569239

(51) **LOC (9) Cl.** ..... **19-06**

(52) **U.S. Cl.** ..... **D19/45**

(58) **Field of Classification Search** ..... D19/35,  
D19/36, 41-51, 54-58; D14/411; 24/11 F,  
24/11 P, 11 R; 401/52, 99, 104-109, 192,  
401/195, 196

See application file for complete search history.

(56) **References Cited**

**U.S. PATENT DOCUMENTS**

86,101	A *	1/1869	Reckendorfer	40/335
428,502	A *	5/1890	Maggi	426/576
D69,556	S	3/1926	Bartle	
D132,773	S *	6/1942	Saulsbury	D19/49
D166,161	S *	3/1952	Hanle	D19/48
D174,249	S *	3/1955	Daniels	D19/46
2,765,551	A *	10/1956	Stanek	40/334
2,893,109	A *	7/1959	Young	29/90.01
3,462,868	A *	8/1969	Arnett	40/114
D369,384	S *	4/1996	Yasoshima	D19/36
D405,219	S *	2/1999	Dal Monte	D27/101
D405,826	S	2/1999	Wörther	
D443,104	S *	5/2001	Coates et al.	D28/7
D493,911	S *	8/2004	Somma et al.	D27/101

D557,572	S	12/2007	Kirsch	
D568,932	S	5/2008	Qiu	
D575,818	S	8/2008	Zhang	
D593,605	S	6/2009	Yu	
D605,694	S	12/2009	Zhang	
D648,384	S *	11/2011	Hung	D19/36
D654,950	S *	2/2012	Ryan	D19/36

**OTHER PUBLICATIONS**

Xie, J., "Pen," U.S. Appl. No. 29/389,621, filed Apr. 14, 2011.  
Xie, J., "Pen," U.S. Appl. No. 29/389,624, filed Apr. 14, 2011.  
Xie, J., "Pen," U.S. Appl. No. 29/389,685, filed Apr. 14, 2011.

\* cited by examiner

*Primary Examiner* — Elizabeth Albert

*Assistant Examiner* — Abraham Bahta

(74) *Attorney, Agent, or Firm* — Christensen O'Connor Johnson Kindness PLLC

(57) **CLAIM**

The ornamental design for a pen, as shown and described.

**DESCRIPTION**

FIG. 1 is a lower front right perspective view of a pen showing my new design;

FIG. 2 is a front elevation view thereof, with the rear elevation view being a mirror image of the front elevation view;

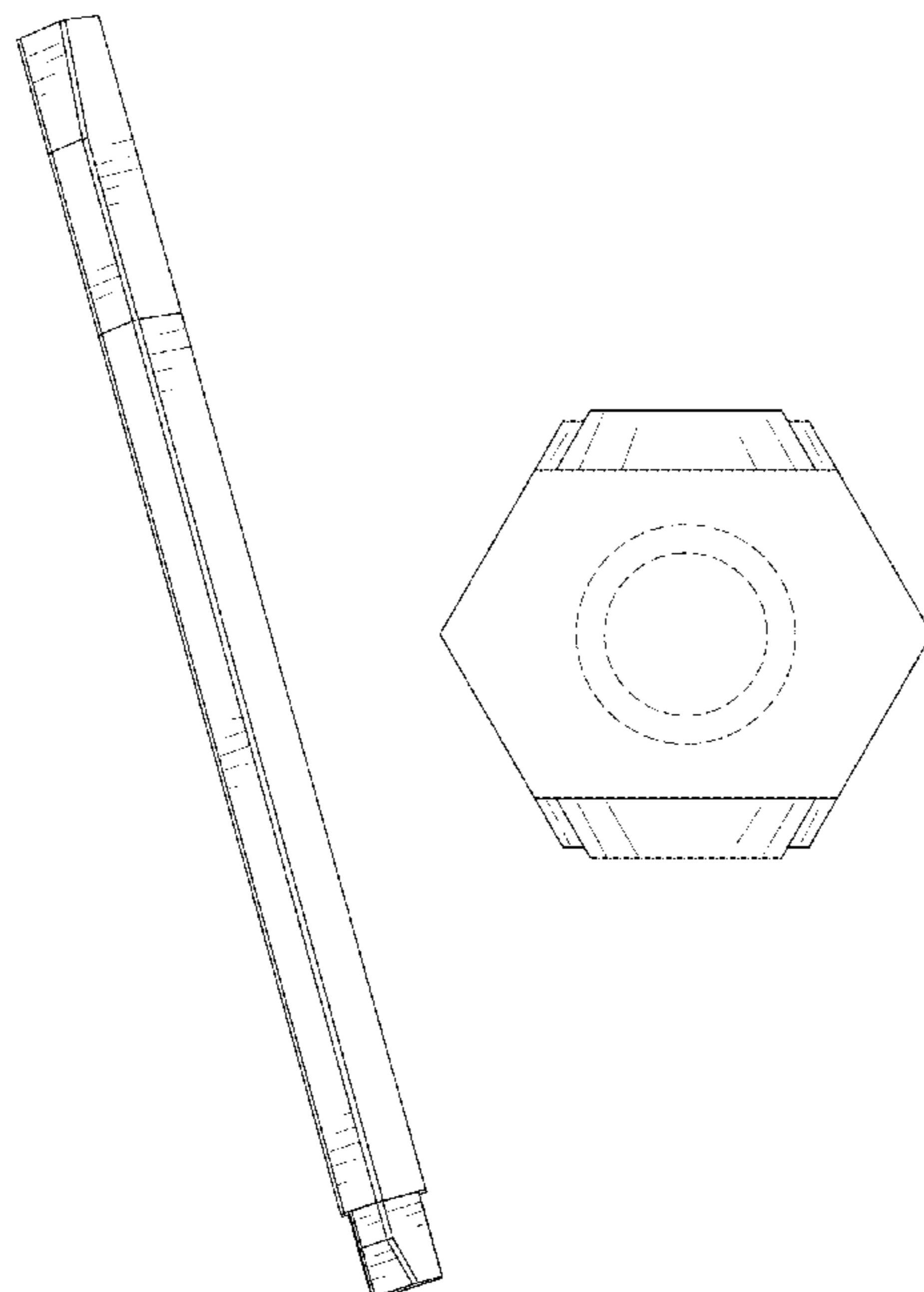
FIG. 3 is a left side elevation view thereof, with the right side elevation view being a mirror image of the left side elevation view;

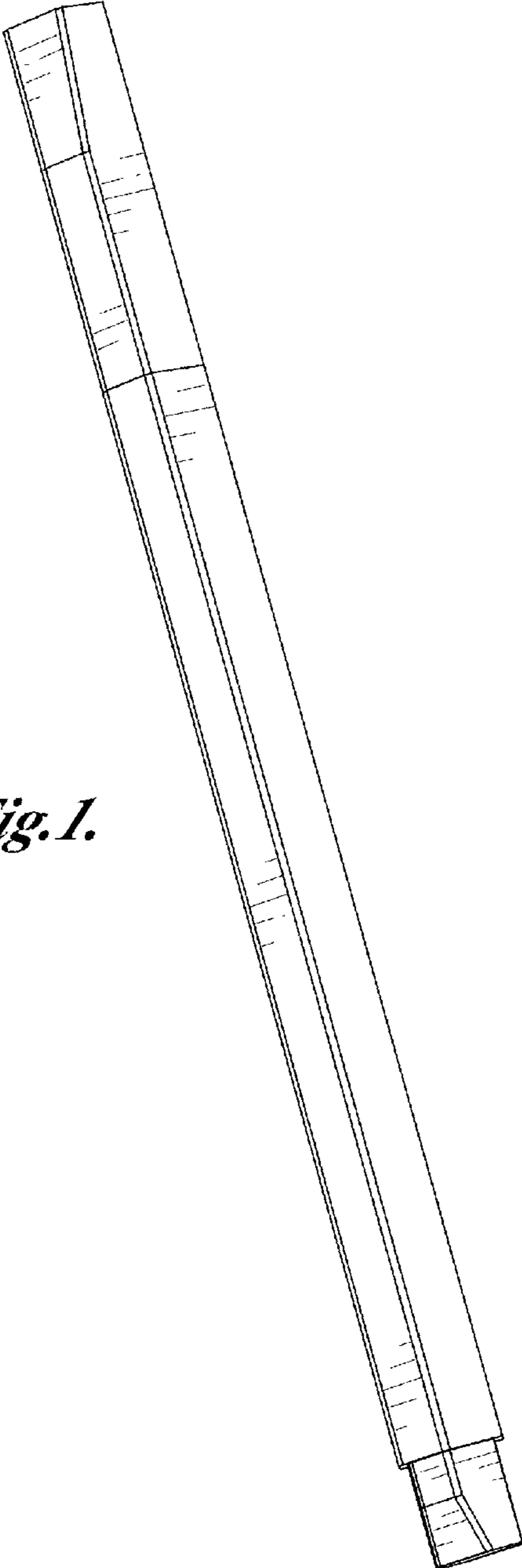
FIG. 4 is an enlarged top plan view thereof; and,

FIG. 5 is an enlarged bottom plan view thereof.

The broken lines shown in FIG. 4 illustrate environmental subject matter and form no part of the claimed design.

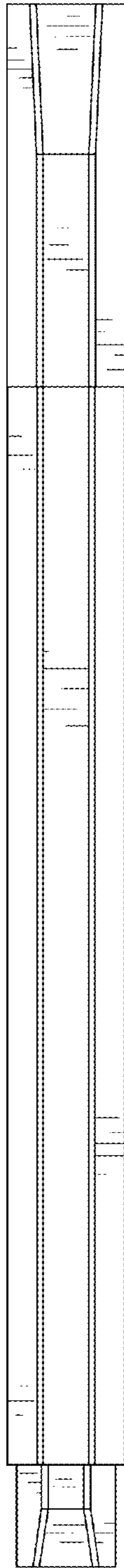
**1 Claim, 3 Drawing Sheets**



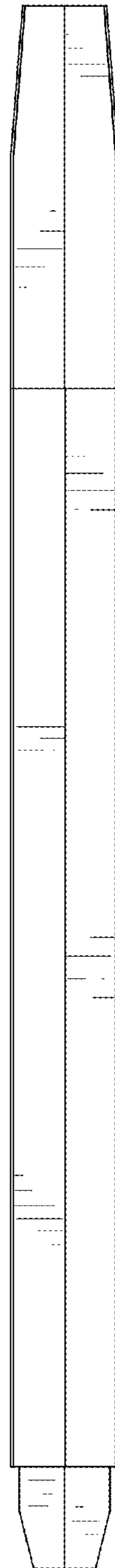


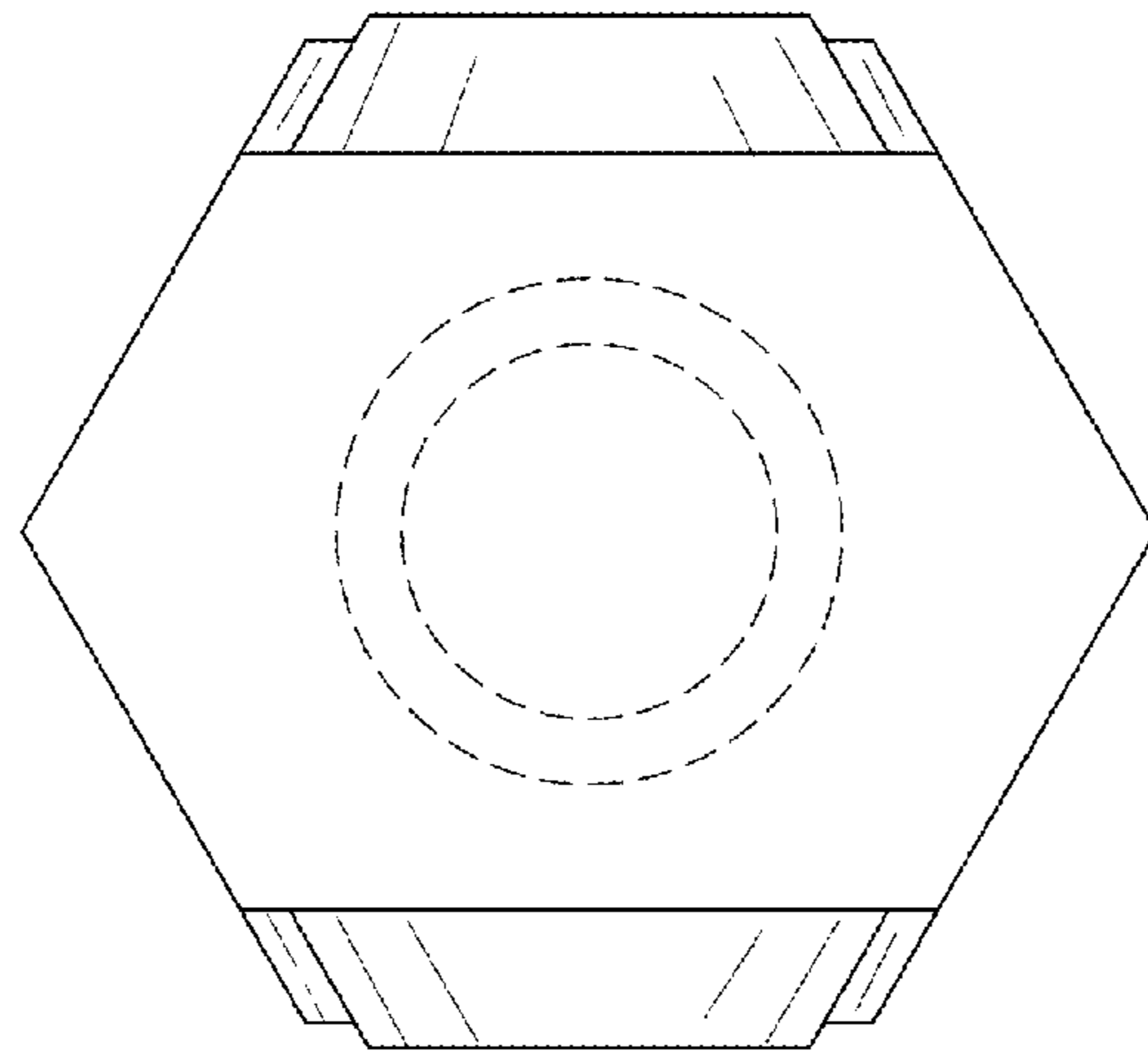
*Fig. 1.*

*Fig.2.*

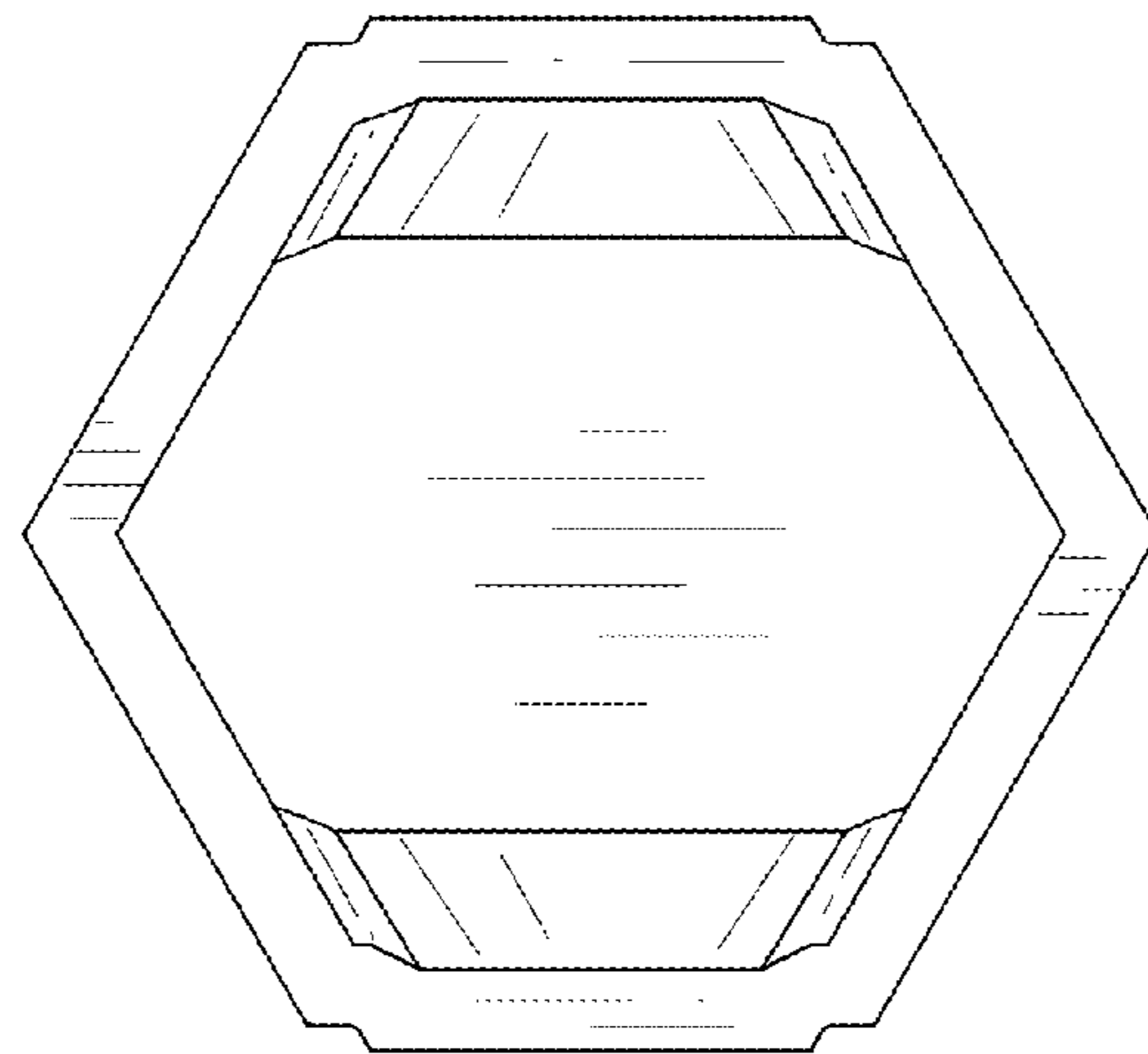


*Fig.3.*





*Fig. 4.*



*Fig. 5.*