



US00D667875S

(12) **United States Design Patent**
Liang

(10) **Patent No.:** **US D667,875 S**
(45) **Date of Patent:** **** Sep. 25, 2012**

(54) **PEN**
(75) Inventor: **Wenyan Liang**, Ningbo (CN)
(73) Assignee: **Beifa Group Co., Ltd.**, Ningbo (CN)
(**) Term: **14 Years**
(21) Appl. No.: **29/389,630**
(22) Filed: **Apr. 14, 2011**

D391,153 S * 2/1998 Poisson et al. D19/48
D394,673 S * 5/1998 Moorthy et al. D19/49
D402,312 S 12/1998 Chevalier
D445,130 S * 7/2001 Ginelli D19/36
D530,745 S 10/2006 Kent
D530,748 S * 10/2006 Kent et al. D19/57
D546,386 S * 7/2007 Qiu D19/43
D546,387 S 7/2007 Qiu
D547,802 S * 7/2007 Jeon D19/43
D549,775 S * 8/2007 Kent et al. D19/48
D612,426 S * 3/2010 Suero et al. D19/41
D647,961 S * 11/2011 Zhang D19/43

(30) **Foreign Application Priority Data**
Oct. 14, 2010 (CN) 2010 3 0567706
(51) **LOC (9) Cl.** **19-06**
(52) **U.S. Cl.** **D19/43**
(58) **Field of Classification Search** D19/35,
D19/36, 41-51, 54-58; 24/11 R, 11 F, 11 P;
401/52, 99, 100, 104-109, 192, 195, 196;
D14/411
See application file for complete search history.

OTHER PUBLICATIONS

Guo, Y, "Pen," U.S. Appl. No. 29/379,463, filed Nov. 19, 2010.
Xie, J., "Pen," U.S. Appl. No. 29/389,633, filed Apr. 14, 2011.
Zhang, B., "Pen," U.S. Appl. No. 29/383,985, filed Jan. 25, 2011.
Zhang, B., Pen, U.S. Appl. No. 29/384,510, filed Jan. 31, 2011.

* cited by examiner

Primary Examiner — Elizabeth Albert
(74) *Attorney, Agent, or Firm* — Christensen O'Connor Johnson Kindness PLLC

(56) **References Cited**

U.S. PATENT DOCUMENTS

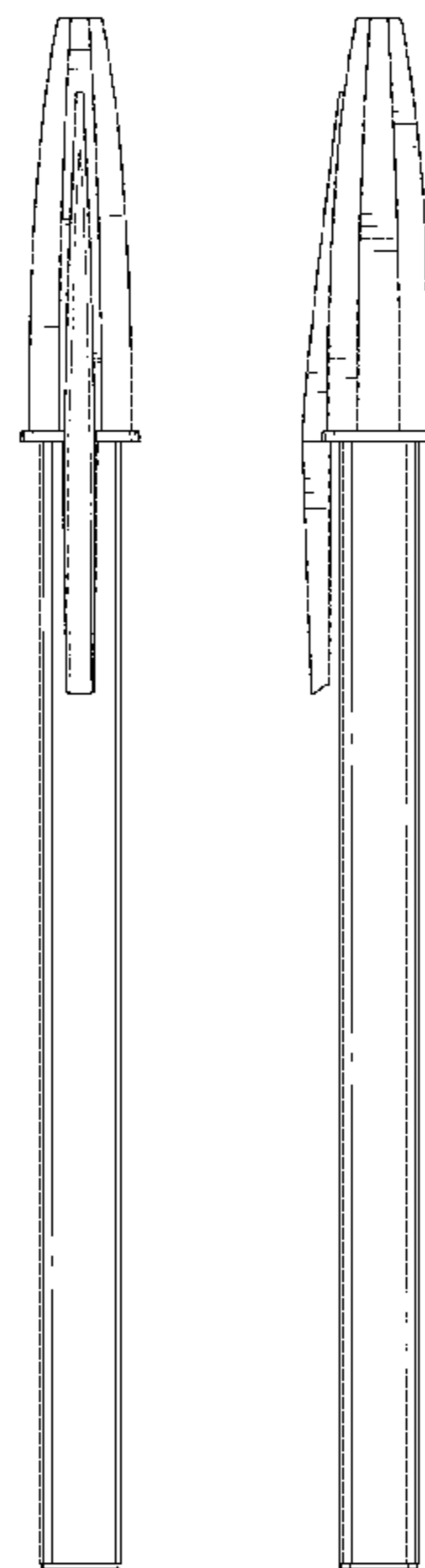
D206,735 S * 1/1967 Levy D19/57
D221,033 S * 6/1971 Wakai D19/43
D248,865 S * 8/1978 Sussman et al. D19/43
D284,676 S * 7/1986 Malm D19/51
5,066,156 A * 11/1991 Petrillo et al. 401/213
D328,311 S 7/1992 Nitta
5,174,672 A * 12/1992 Townsend 401/6
5,230,578 A * 7/1993 Fuhrmann et al. 401/202
D357,700 S * 4/1995 Oka D19/55
D366,669 S * 1/1996 McCartney et al. D19/42
D374,460 S * 10/1996 Young D19/48
D375,323 S * 11/1996 Young D19/49
D377,194 S * 1/1997 Young D19/48
5,599,127 A * 2/1997 Fuhrmann et al. 401/202
D379,372 S * 5/1997 Young D19/49
D383,780 S * 9/1997 Young D19/49

(57) **CLAIM**
The ornamental design for a pen, as shown and described.

DESCRIPTION

FIG. 1 is a front right perspective view of a pen showing my new design;
FIG. 2 is a front elevation view thereof;
FIG. 3 is a rear elevation view thereof;
FIG. 4 is a right side elevation view thereof, with the left side elevation view being a mirror image of the right side elevation view;
FIG. 5 is an enlarged top plan view thereof; and,
FIG. 6 is an enlarged bottom plan view thereof.
The broken lines shown in FIG. 5 illustrate environmental subject matter and form no part of the claimed design.

1 Claim, 3 Drawing Sheets



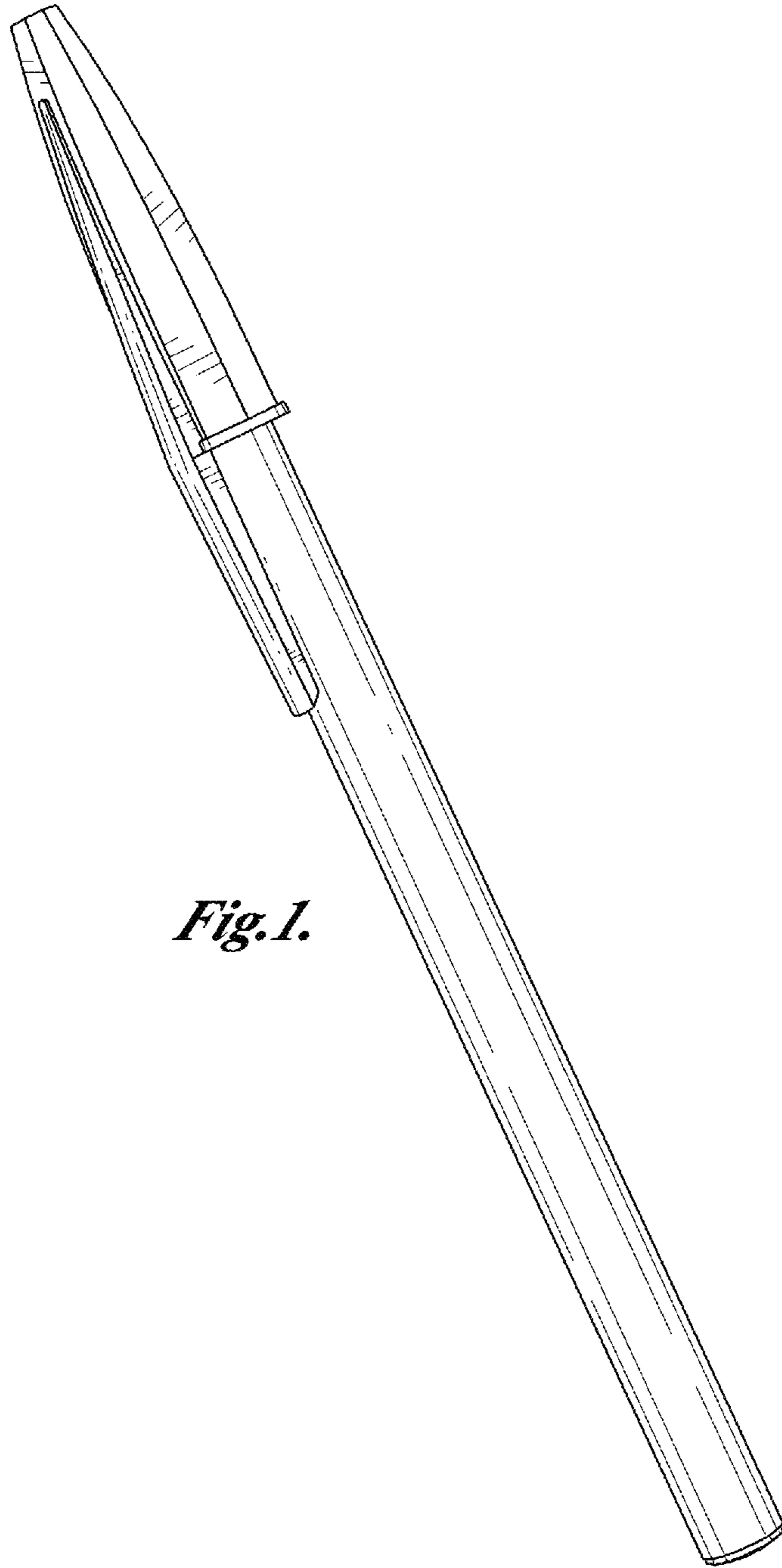


Fig. 1.

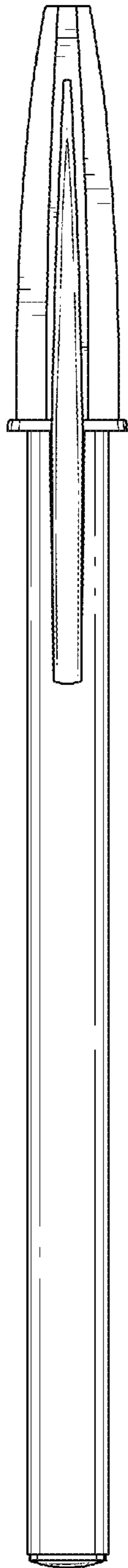


Fig. 2.

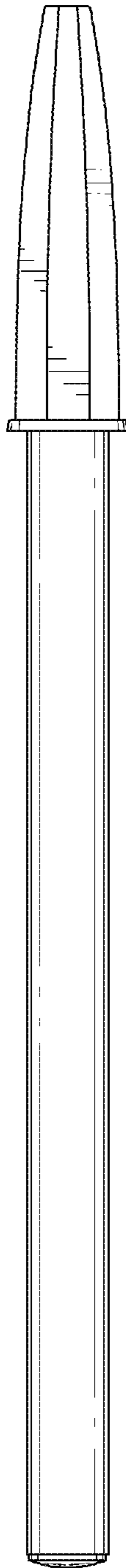


Fig. 3.

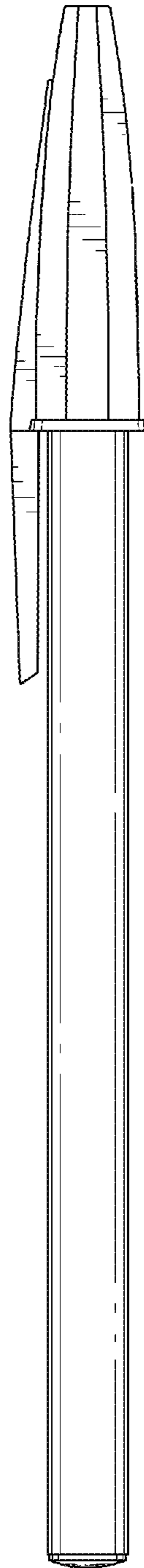


Fig. 4.

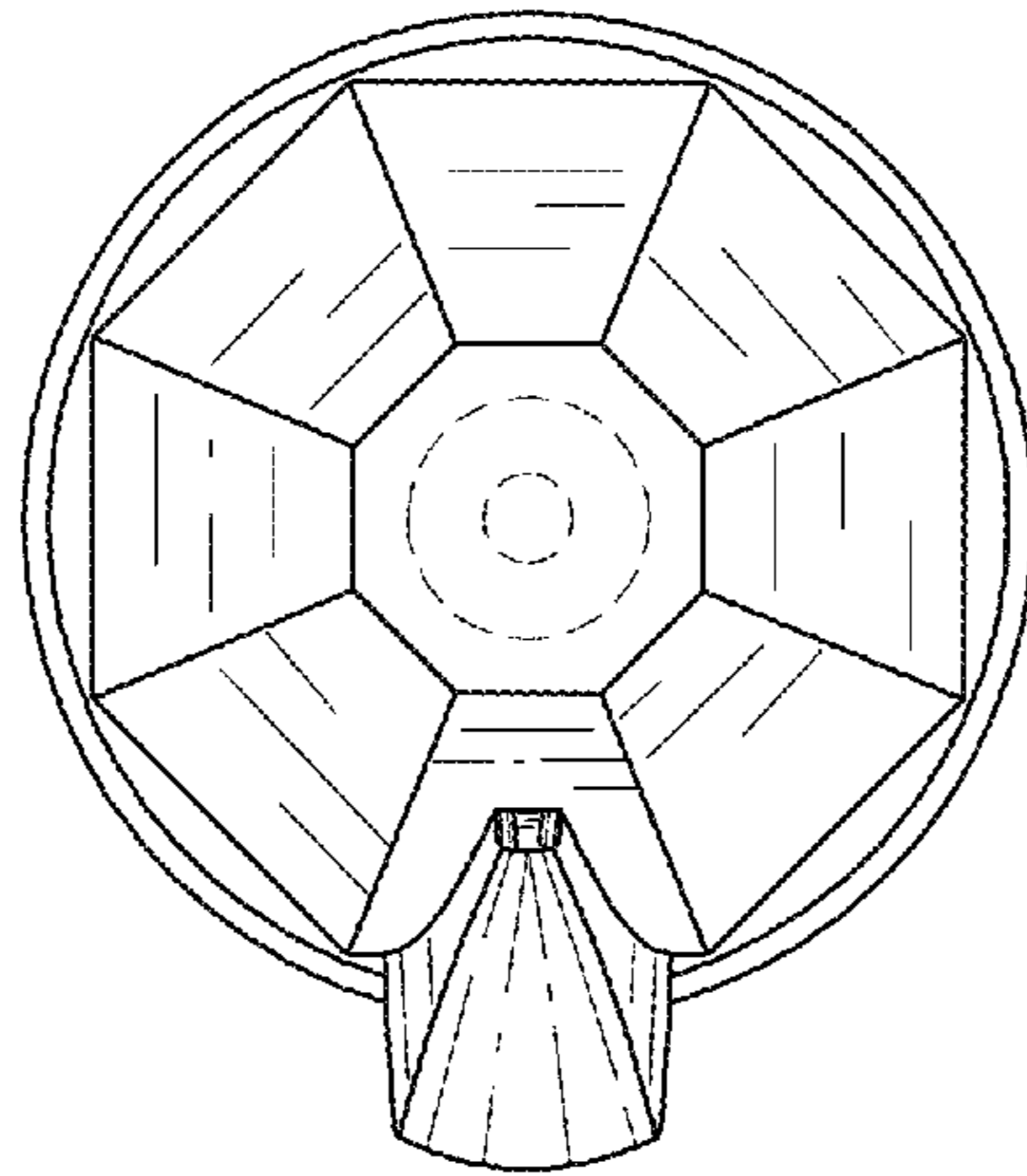


Fig. 5.

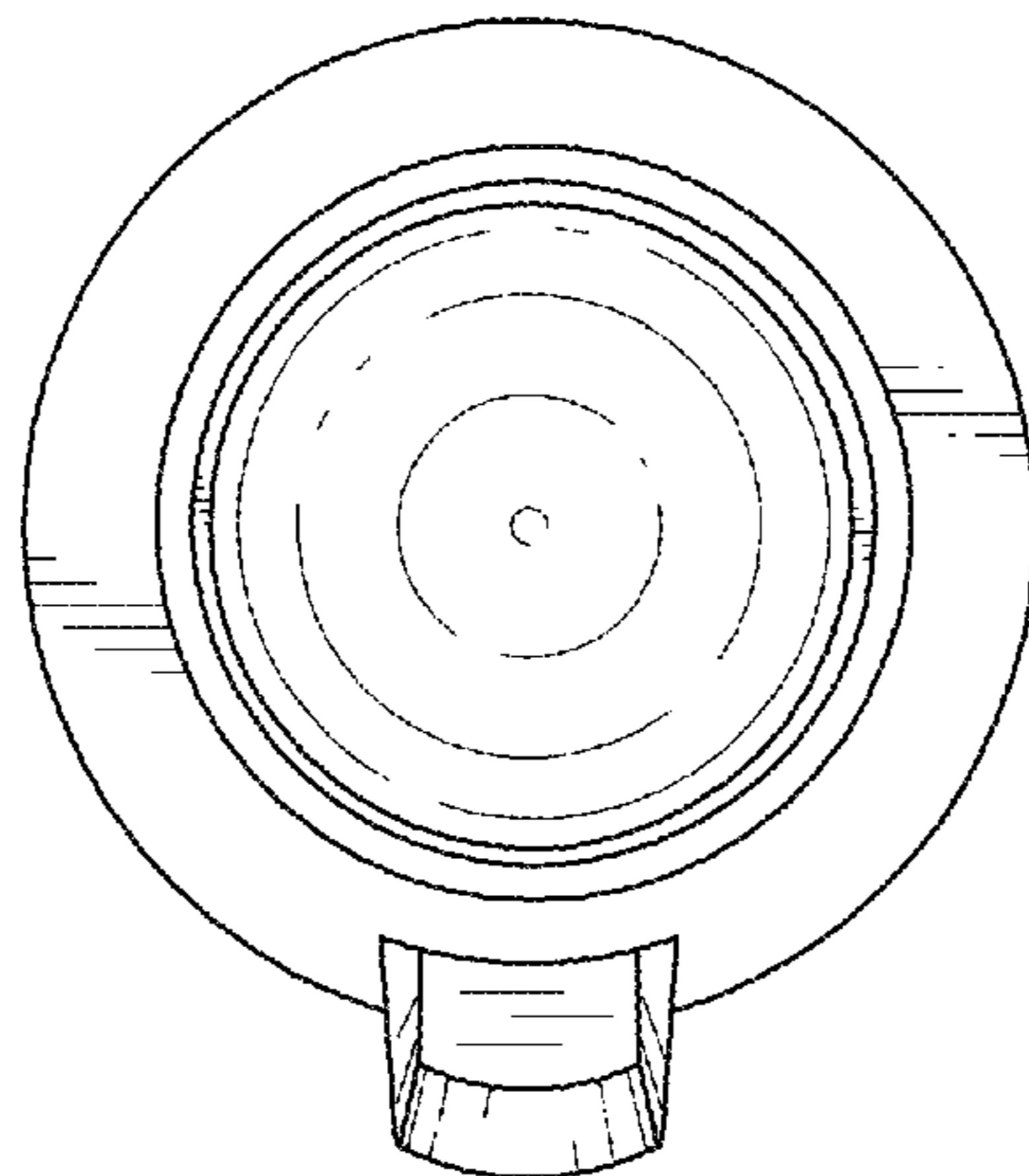


Fig. 6.