



US00D667873S

(12) **United States Design Patent**
Shi

(10) **Patent No.:** **US D667,873 S**

(45) **Date of Patent:** **** Sep. 25, 2012**

(54) **MARKER**

(75) Inventor: **Yueming Shi**, Ningbo (CN)

(73) Assignee: **Beifa Group Co., Ltd.**, Ningbo (CN)

(**) Term: **14 Years**

(21) Appl. No.: **29/392,697**

(22) Filed: **May 25, 2011**

(30) **Foreign Application Priority Data**

Nov. 26, 2010 (CN) 2010 3 0635802

(51) **LOC (9) Cl.** **19-06**

(52) **U.S. Cl.** **D19/41**

(58) **Field of Classification Search** D19/35,
D19/36, 41-51, 54-58; D14/411; 24/11 F,
24/11 P, 11 R; 401/52, 99, 104-109, 192,
401/195, 196

See application file for complete search history.

(56) **References Cited**

U.S. PATENT DOCUMENTS

D235,883 S *	7/1975	Stuetzer	D27/154
D247,378 S *	2/1978	Stuetzer et al.	D27/154
4,183,685 A *	1/1980	Hofmann et al.	401/202
D260,272 S *	8/1981	Horntrich	D19/43
D260,942 S *	9/1981	Stuetzer	D27/154
D309,913 S *	8/1990	Shintani	D19/43
D316,271 S *	4/1991	Larizza	D19/41
D325,931 S *	5/1992	Sekiguchi	D19/43
D329,253 S *	9/1992	Sekiguchi	D19/43
D340,186 S *	10/1993	Rand et al.	D9/529

5,308,178 A *	5/1994	Jiang	401/8
D352,524 S *	11/1994	Watanabe	D19/35
D454,587 S	3/2002	Qiu		
D470,529 S *	2/2003	Tu	D19/43
D507,965 S *	8/2005	Alvino et al.	D9/727
D524,814 S	7/2006	Kent		
D529,959 S *	10/2006	Oas	D19/36
D579,494 S *	10/2008	Chan et al.	D19/36
D595,719 S *	7/2009	Hu	D14/411
D597,133 S *	7/2009	Hung	D19/41
D609,273 S	2/2010	Koreska		
D616,496 S	5/2010	Liu		

* cited by examiner

Primary Examiner — Elizabeth Albert

(74) *Attorney, Agent, or Firm* — Christensen O'Connor Johnson Kindness PLLC

(57) **CLAIM**

The ornamental design for a marker, as shown and described.

DESCRIPTION

FIG. 1 is a an upper front right perspective view of a marker showing my new design;

FIG. 2 is a front elevation view thereof;

FIG. 3 is a right side elevation view thereof, with the left side elevation view being a mirror image of the right side elevation view;

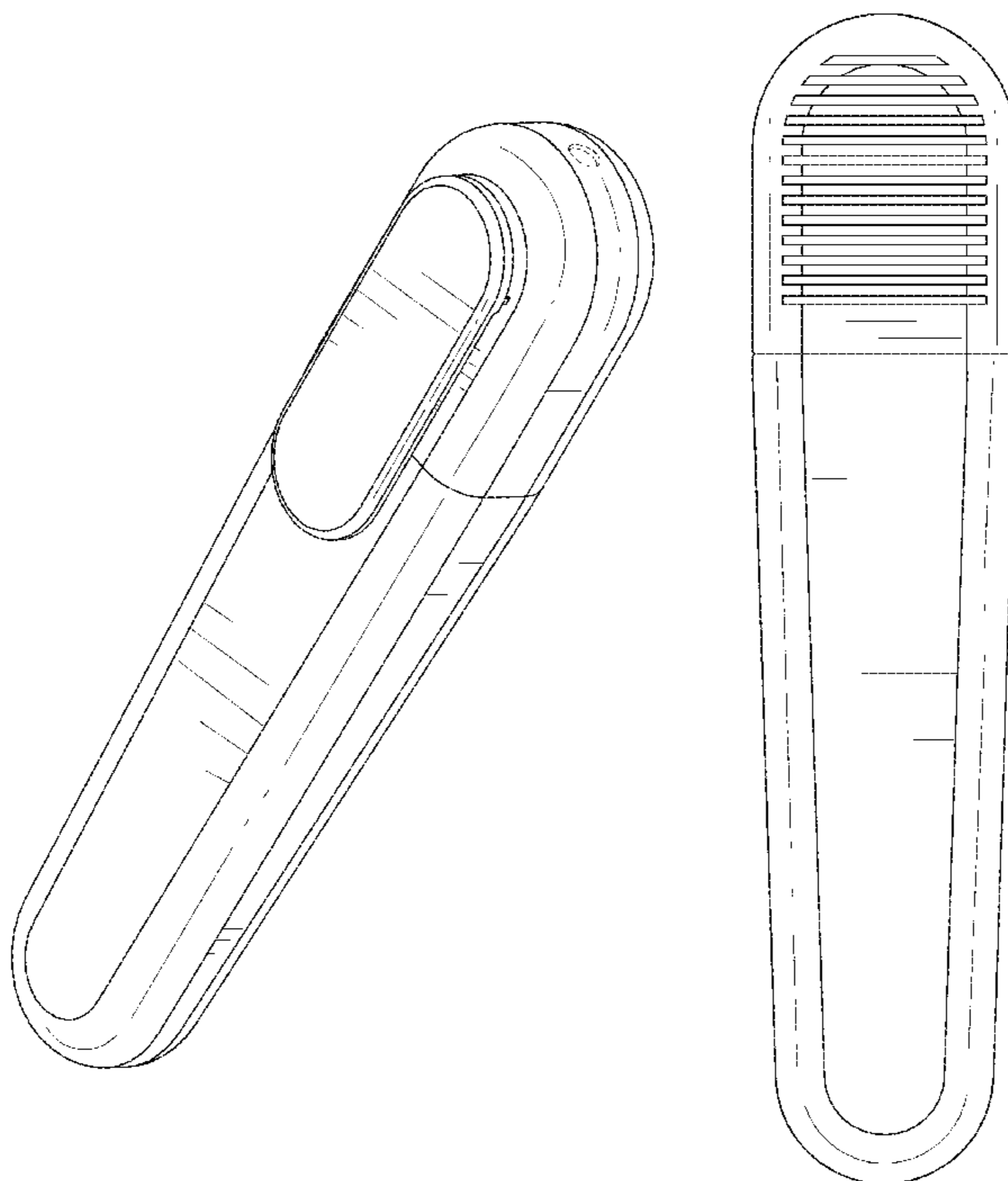
FIG. 4 is a rear elevation view thereof;

FIG. 5 is an enlarged top plan view thereof; and,

FIG. 6 is an enlarged bottom plan view thereof.

The broken lines shown in FIGS. 1, 5, and 6 illustrate environmental subject matter and form no part of the claimed design.

1 Claim, 4 Drawing Sheets



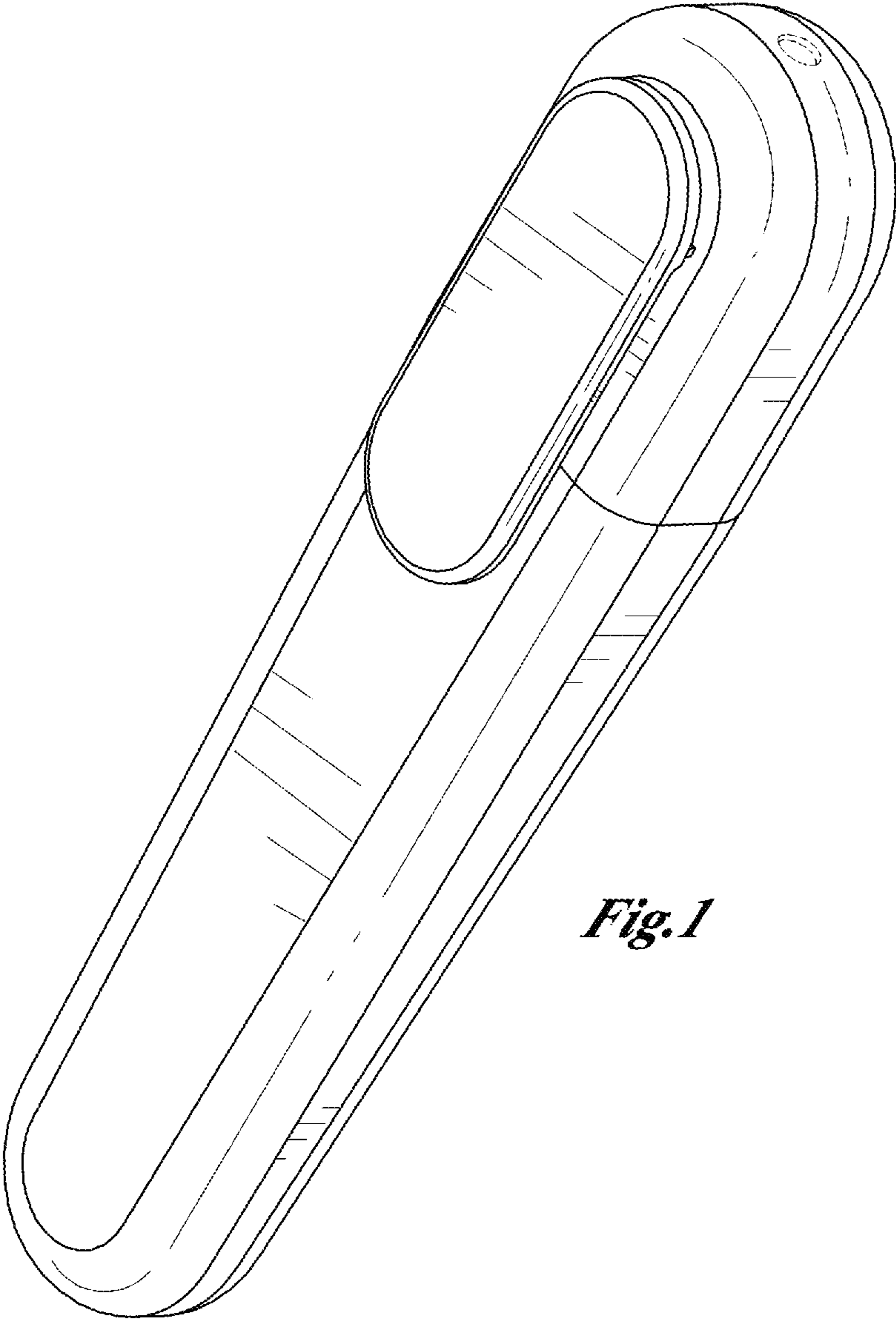


Fig.1

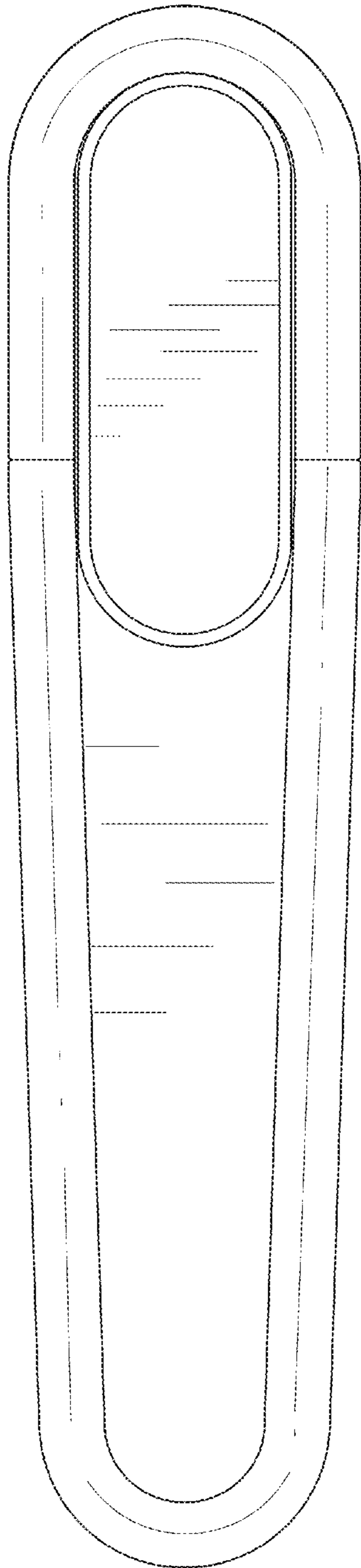


Fig. 2

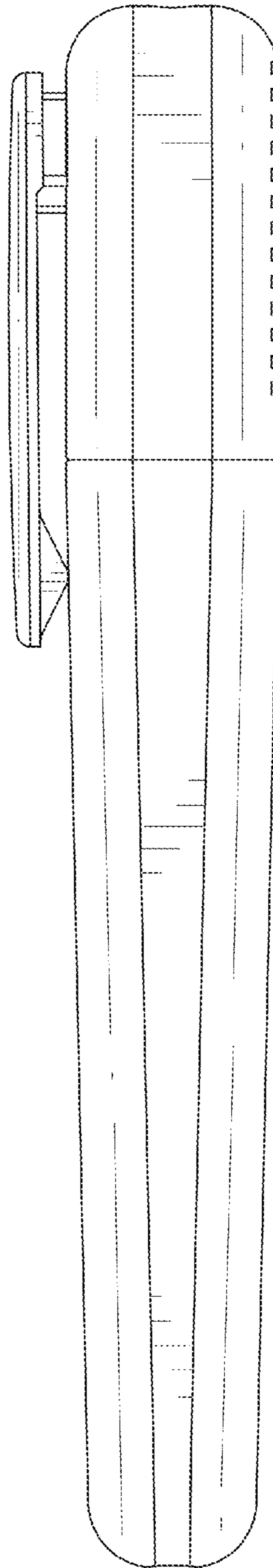


Fig. 3

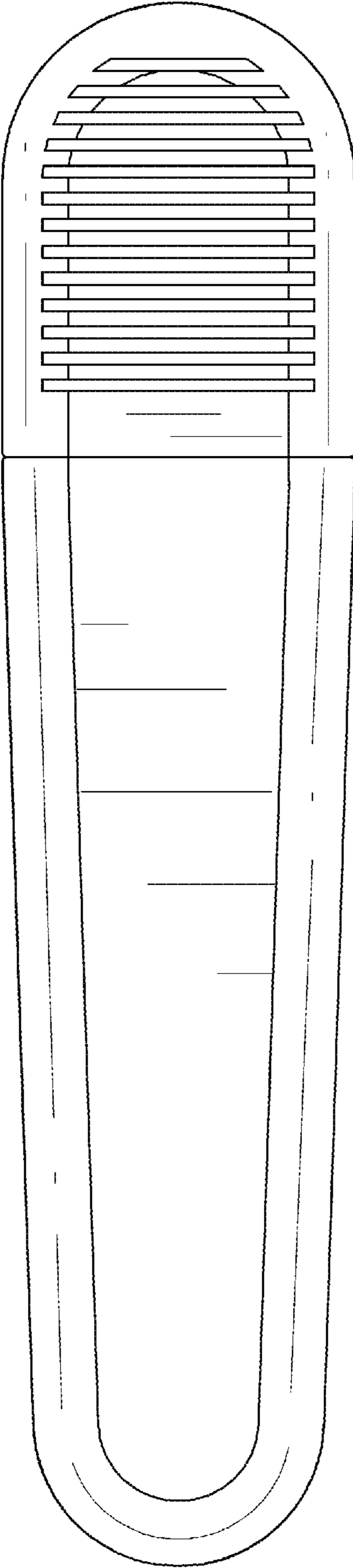


Fig. 4

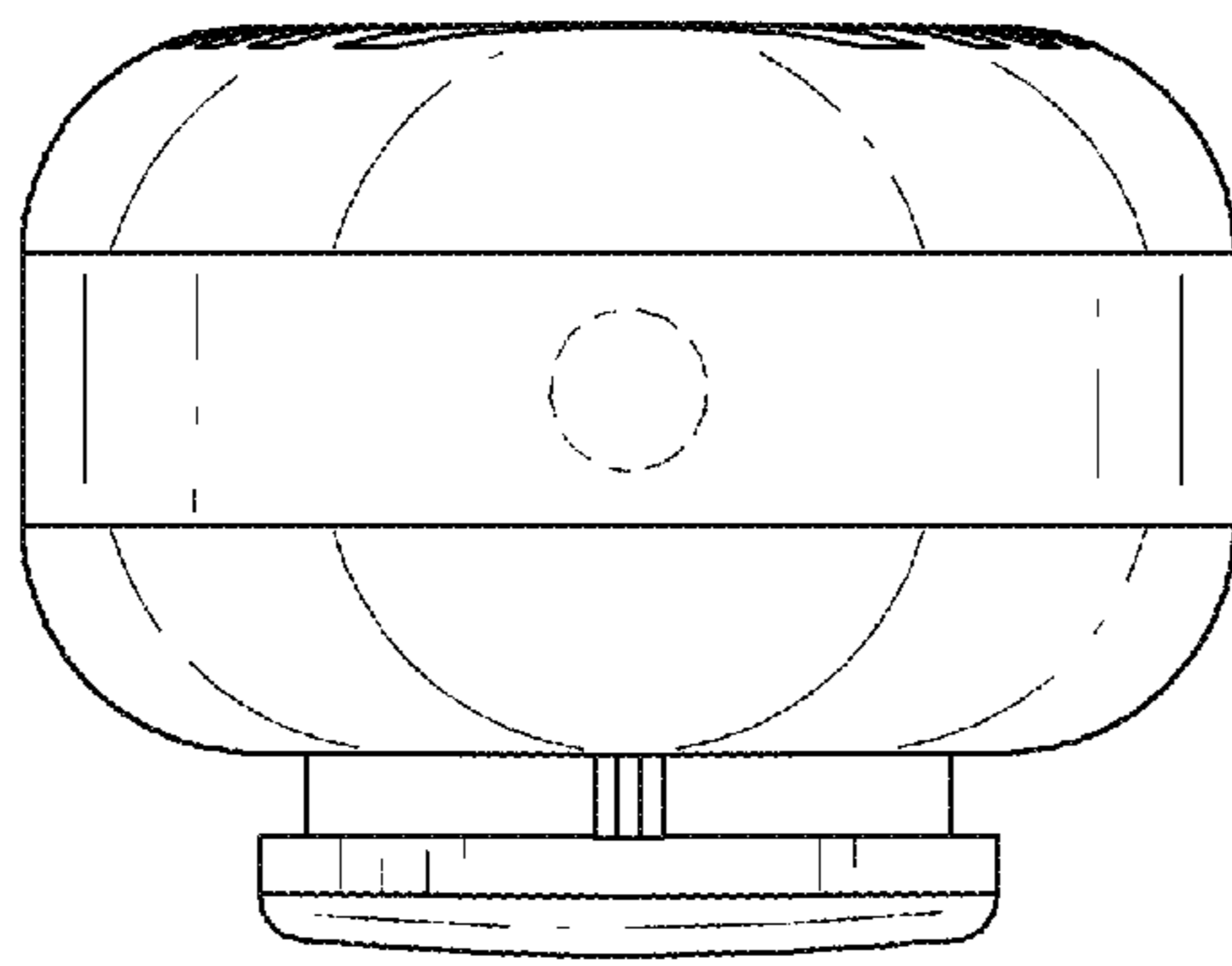


Fig. 5

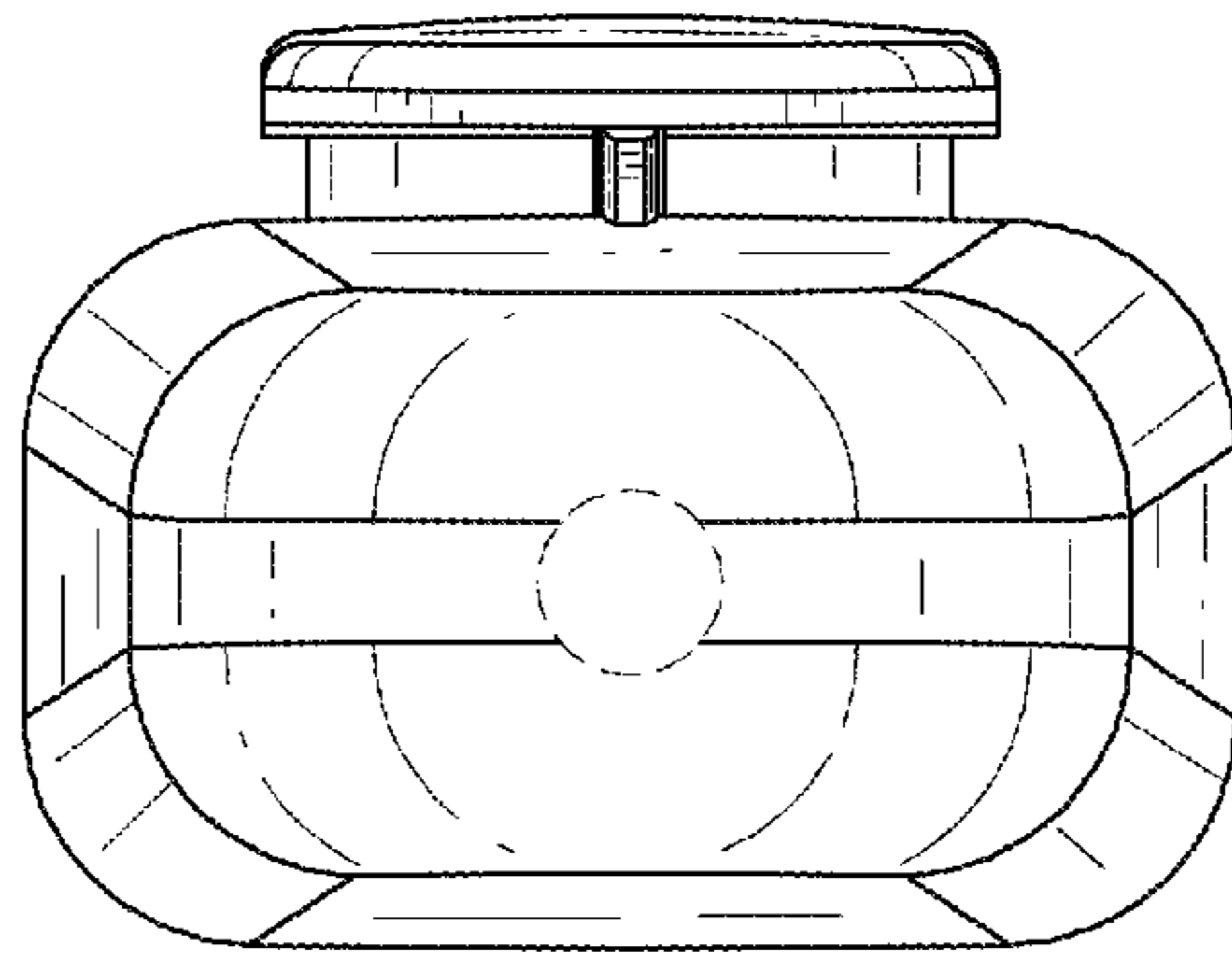


Fig. 6