



US00D667872S

(12) **United States Design Patent**
Suzuki et al.

(10) **Patent No.:** **US D667,872 S**

(45) **Date of Patent:** **** Sep. 25, 2012**

(54) **PRINTER**

(75) Inventors: **Wataru Suzuki**, Shiojiri (JP); **Tomoko Iwasaki**, Shiojiri (JP); **Emi Akahane**, Azumino (JP); **Takayuki Iijima**, Shiojiri (JP); **Seiya Hayashi**, Matsumoto (JP)

(73) Assignee: **Seiko Epson Corporation**, Tokyo (JP)

(**) Term: **14 Years**

(21) Appl. No.: **29/383,250**

(22) Filed: **Jan. 14, 2011**

(51) **LOC (9) Cl.** **14-02**

(52) **U.S. Cl.** **D18/50**

(58) **Field of Classification Search** D14/420–425,
D14/463–470; D18/14, 19, 36–37, 50, 54,
D18/54.1, 55; 400/613, 613.1–613.4, 690,
400/690.1–690.4, 691–694

See application file for complete search history.

(56) **References Cited**

U.S. PATENT DOCUMENTS

D260,903 S * 9/1981 Overman D18/36
D261,271 S * 10/1981 Samczyk D18/36
4,884,904 A * 12/1989 Berquist D18/50
D314,787 S * 2/1991 Gotham D18/36
D372,492 S * 8/1996 Stanton D18/54.1

D431,596 S * 10/2000 Berger D18/50
D439,273 S * 3/2001 Sato et al. D18/54.1
D509,240 S * 9/2005 Kimura et al. D18/50
D516,120 S * 2/2006 Yamano et al. D18/55
D607,503 S * 1/2010 Hyakumoto et al. D18/50
D607,926 S * 1/2010 Miyauchi et al. D18/55
D643,875 S * 8/2011 Suzuki et al. D18/55

* cited by examiner

Primary Examiner — Cathy A MacCormac

(74) *Attorney, Agent, or Firm* — Workman Nydegger

(57) **CLAIM**

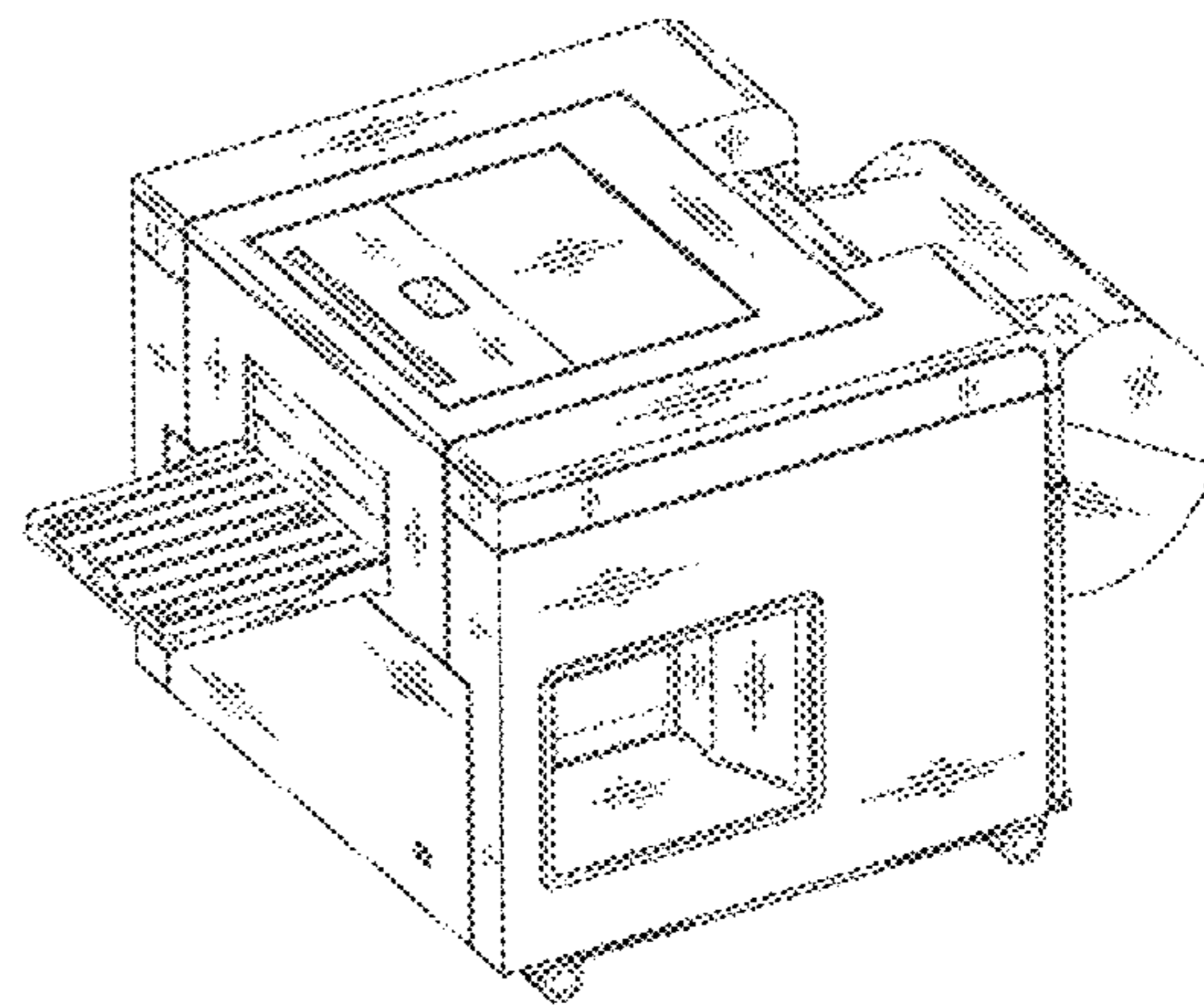
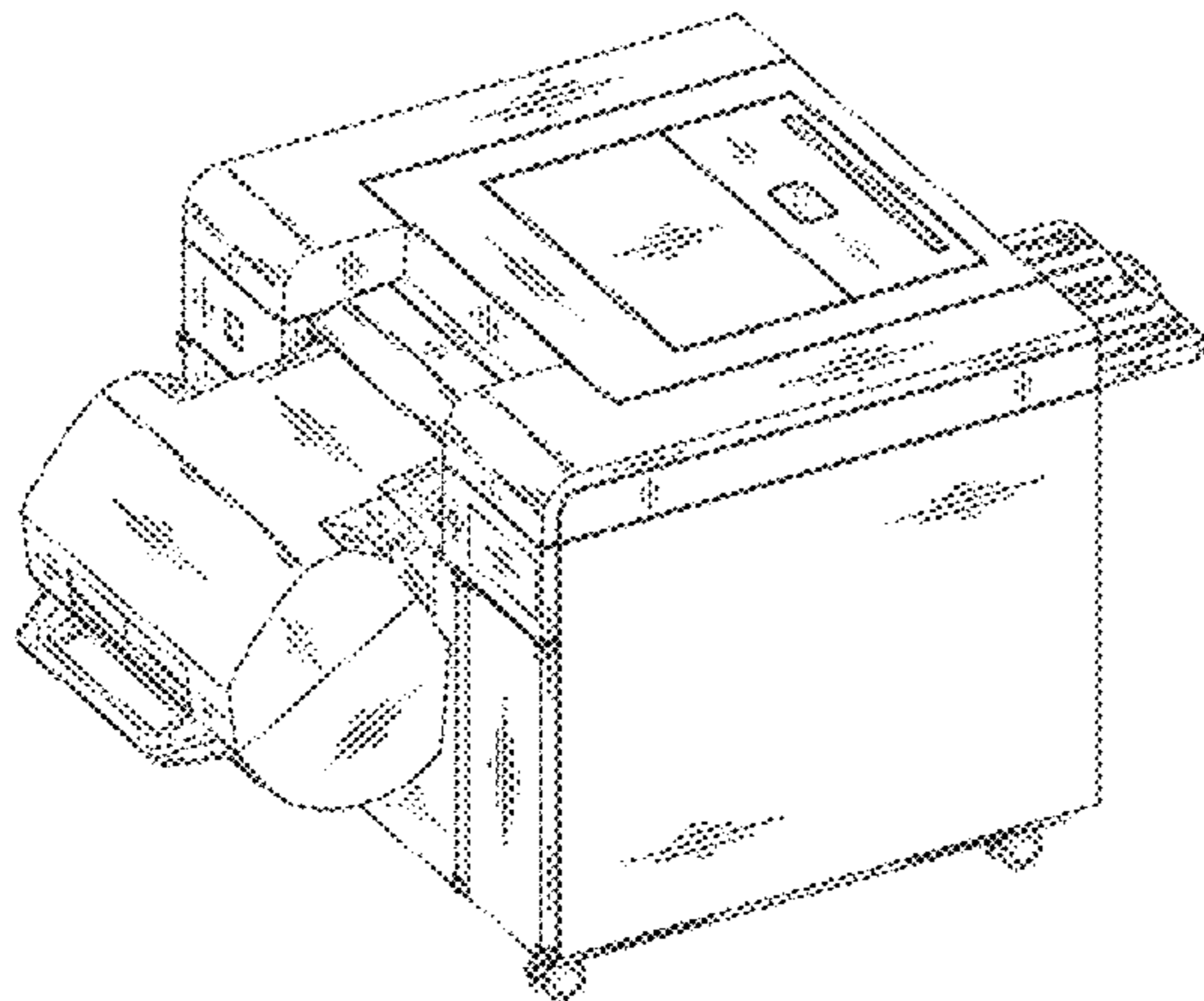
The ornamental design for a printer, as shown and described.

DESCRIPTION

FIG. 1 is an upper perspective view of our new design for a printer, viewed from the front and right side; FIG. 2 is an upper perspective view of the printer shown in FIG. 1, viewed from the rear and left side; FIG. 3 is a front view of the printer shown in FIG. 1; FIG. 4 is a rear view of the printer shown in FIG. 1; FIG. 5 is a left side view of the printer shown in FIG. 1; FIG. 6 is a right side view of the printer shown in FIG. 1; FIG. 7 is a top view of the printer shown in FIG. 1; FIG. 8 is a bottom view of the printer shown in FIG. 1; and, FIG. 9 is another upper perspective view of the printer shown in FIG. 1, viewed from the front and right side, illustrating the printer in a different configuration.

The broken lines shown in the figures are for illustrative purposes only and form no part of the claimed design.

1 Claim, 7 Drawing Sheets



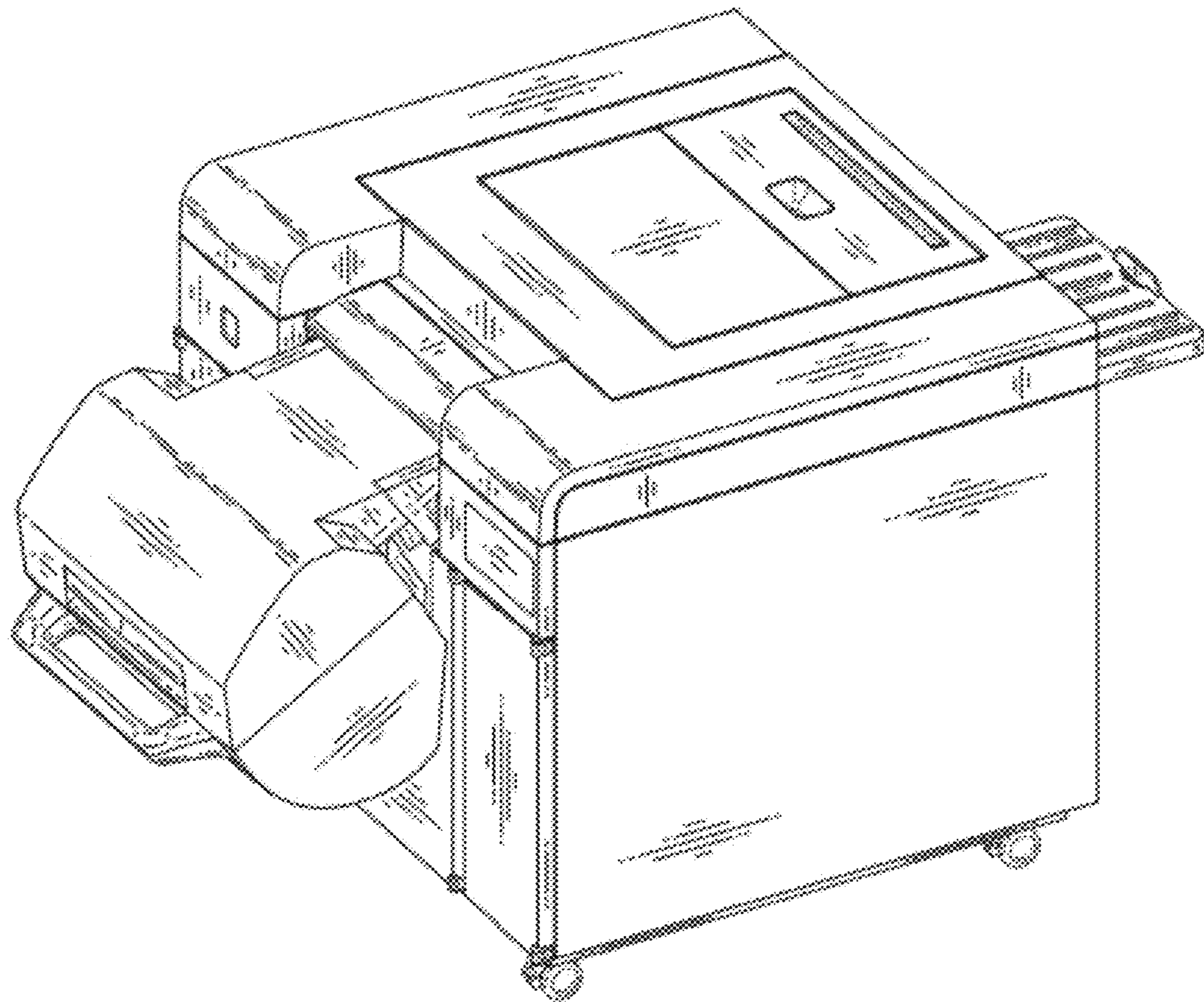


FIG. 1

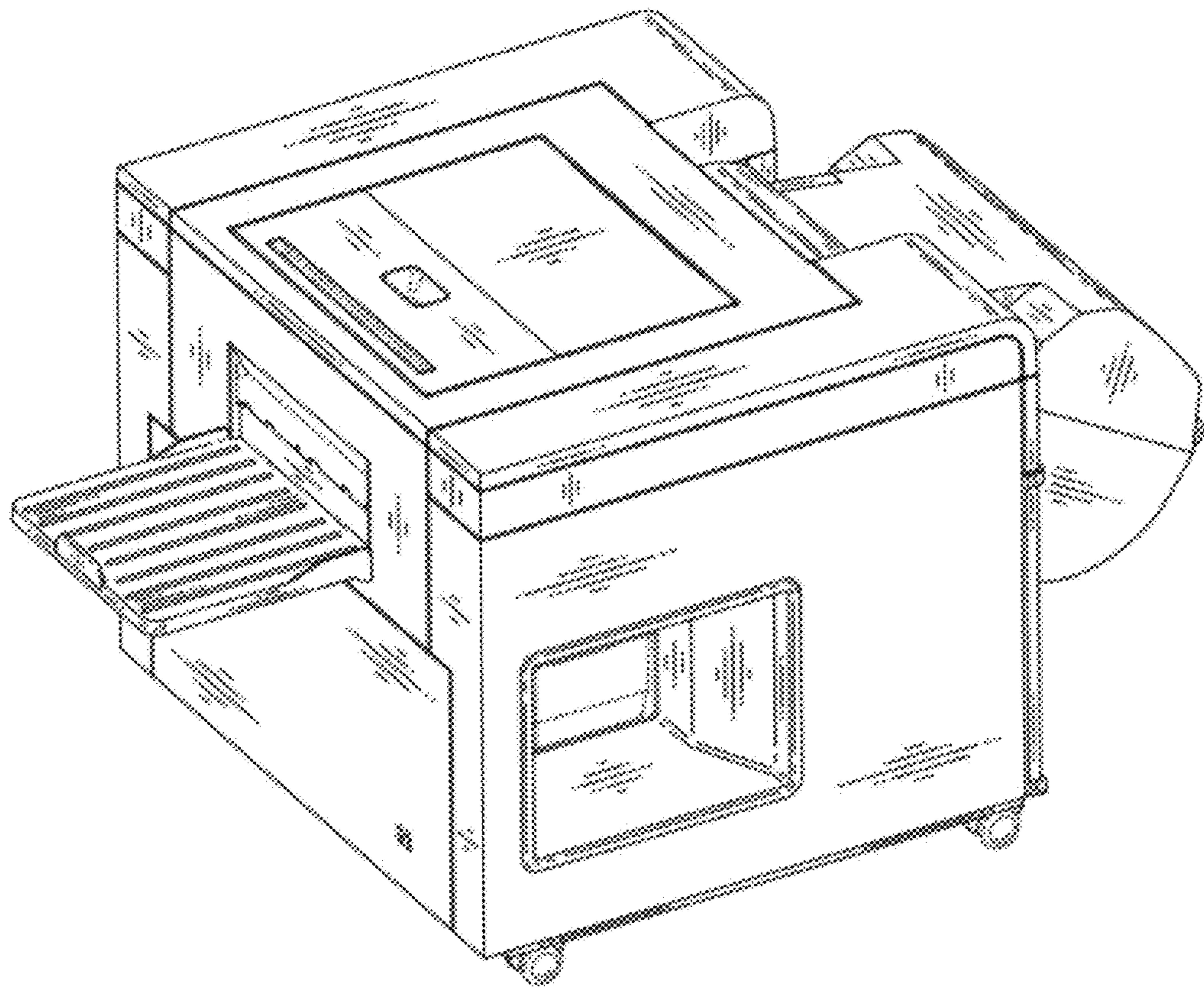


FIG. 2

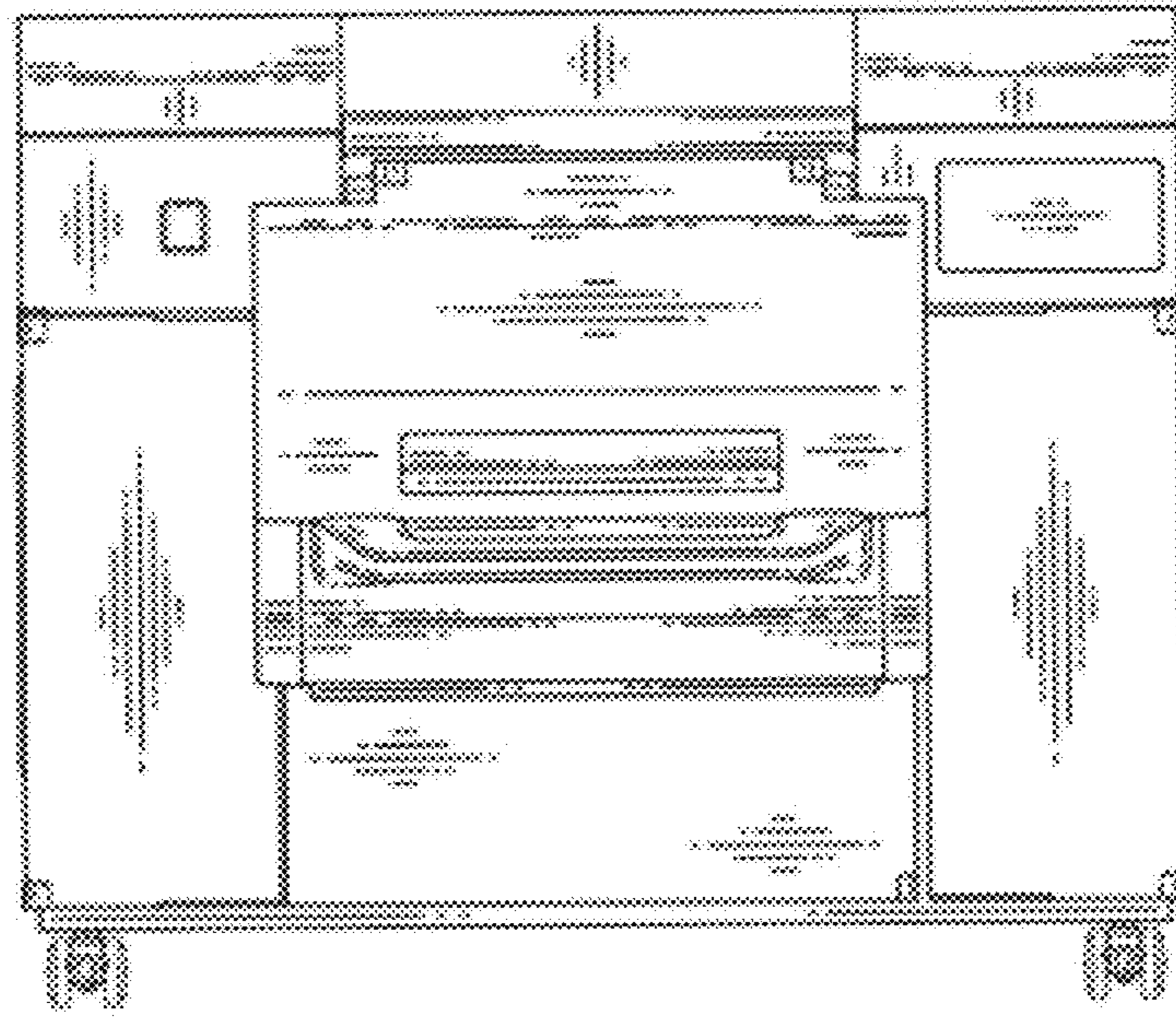


FIG. 3

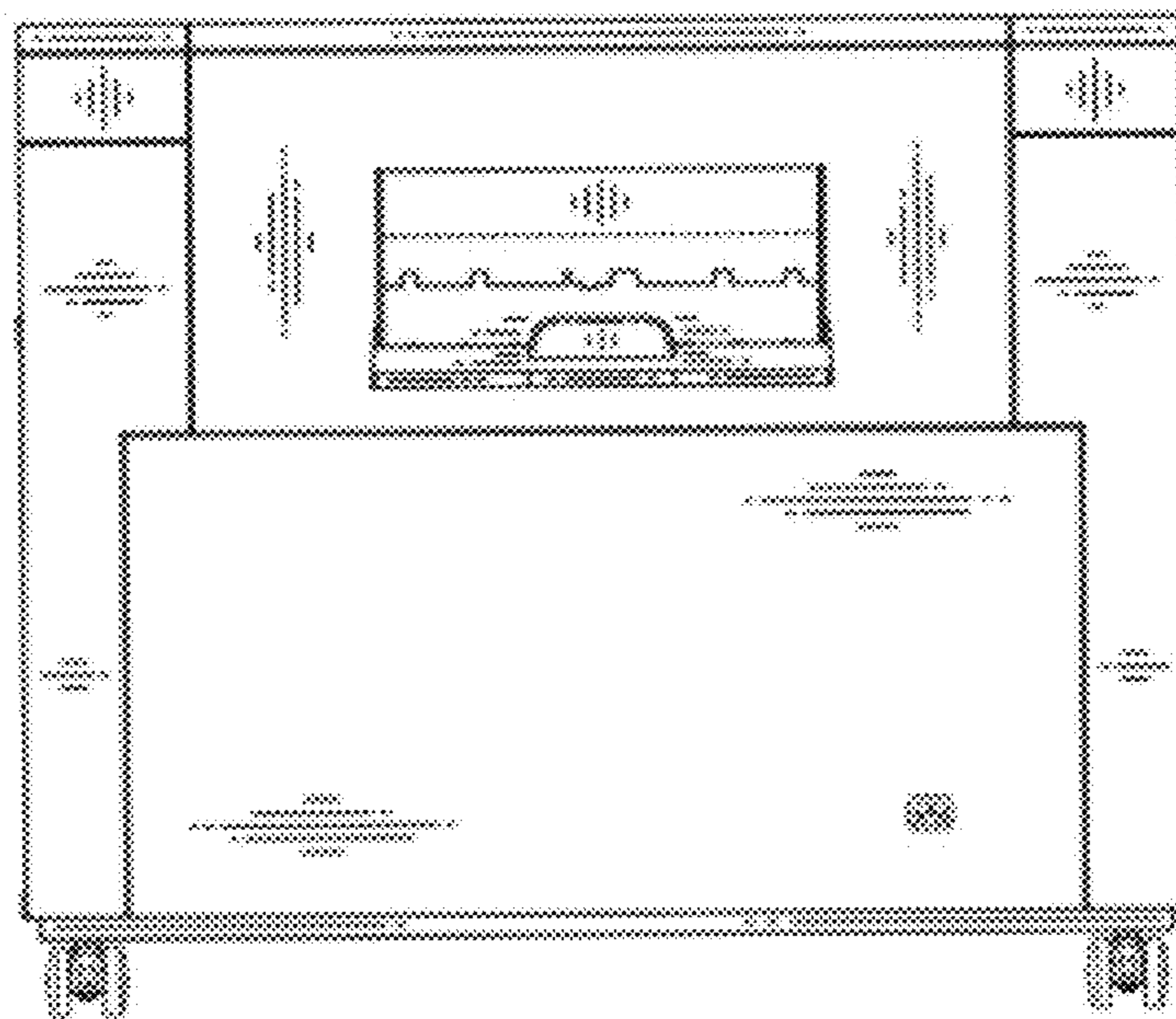


FIG. 4

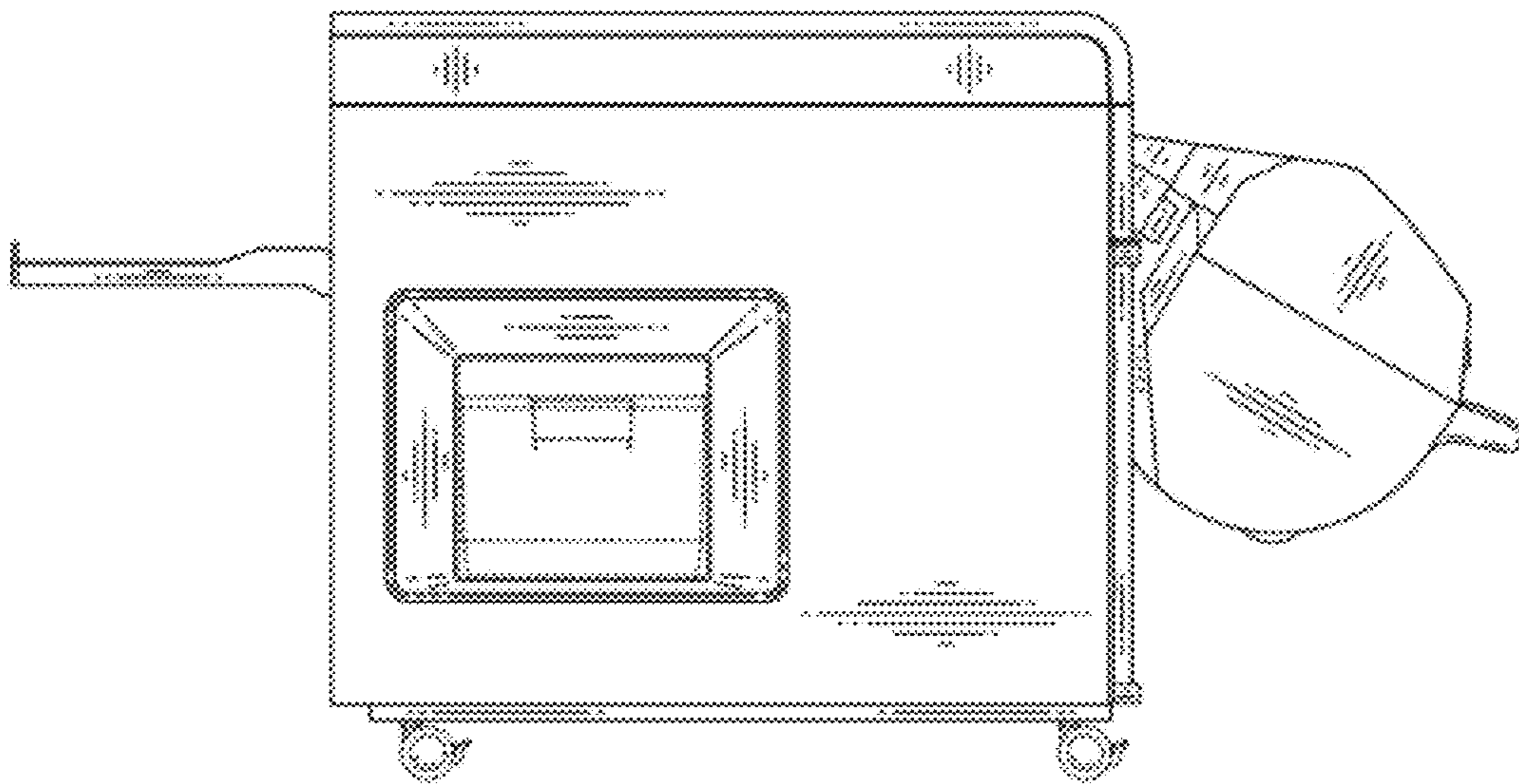


FIG. 5

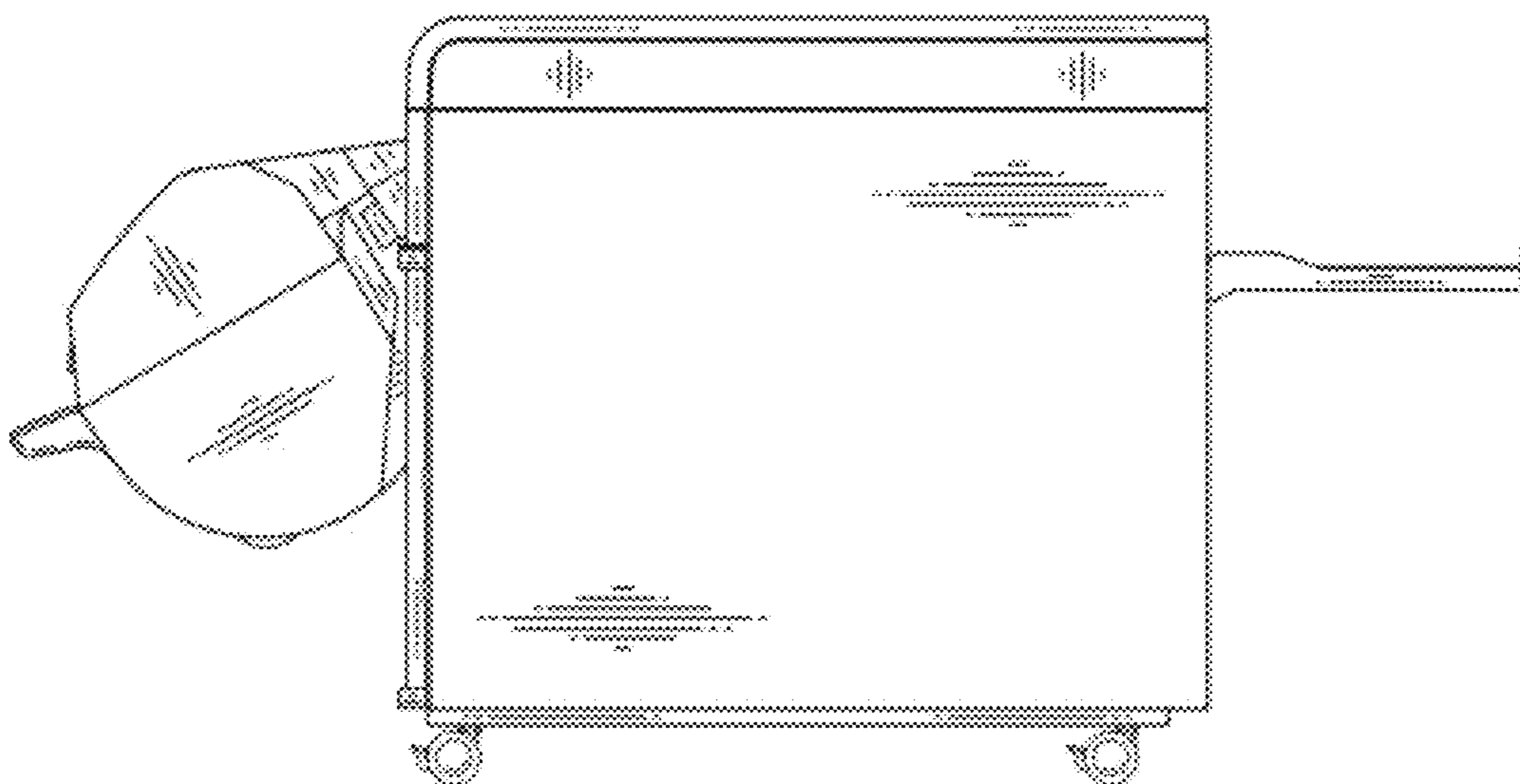


FIG. 6

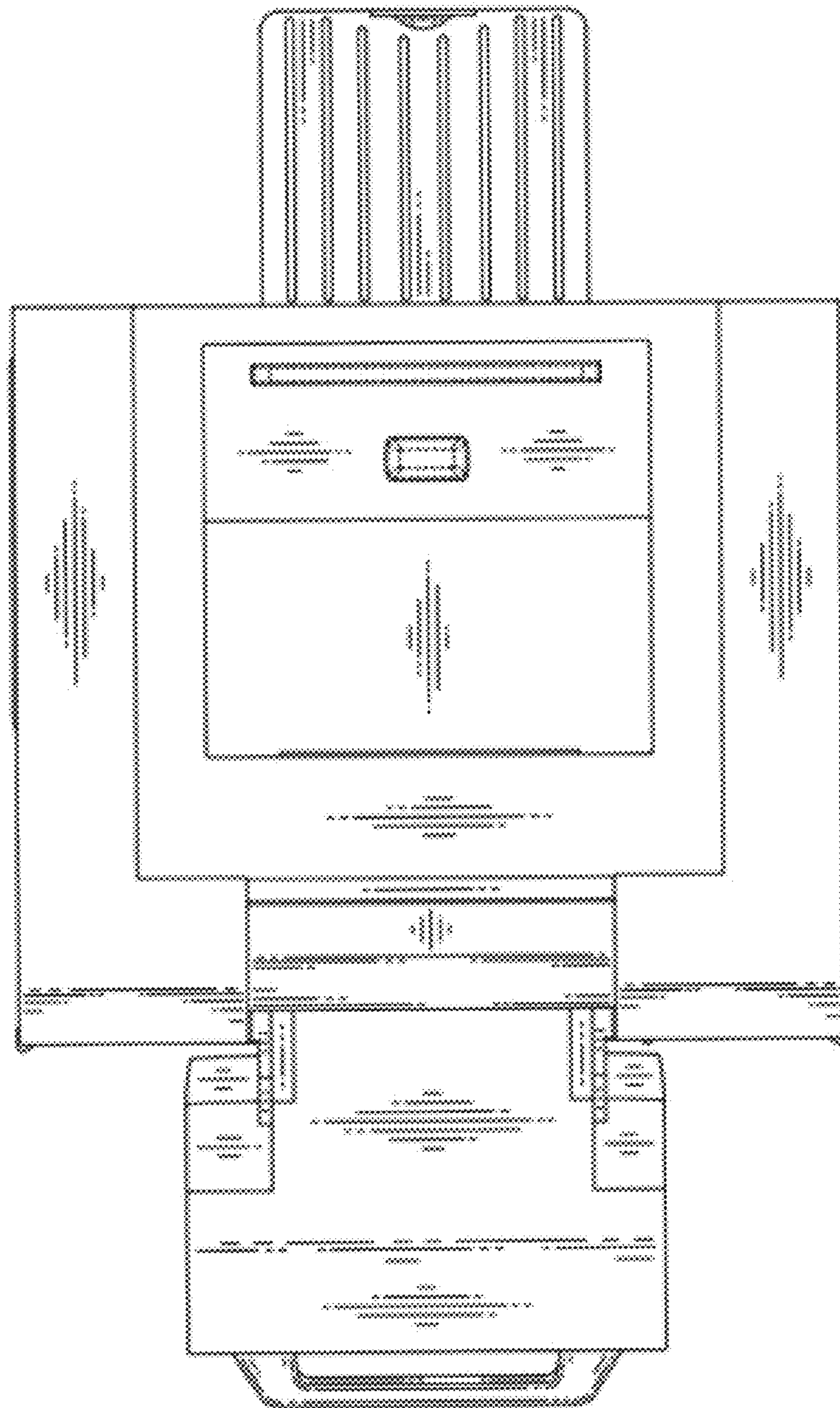


FIG. 7

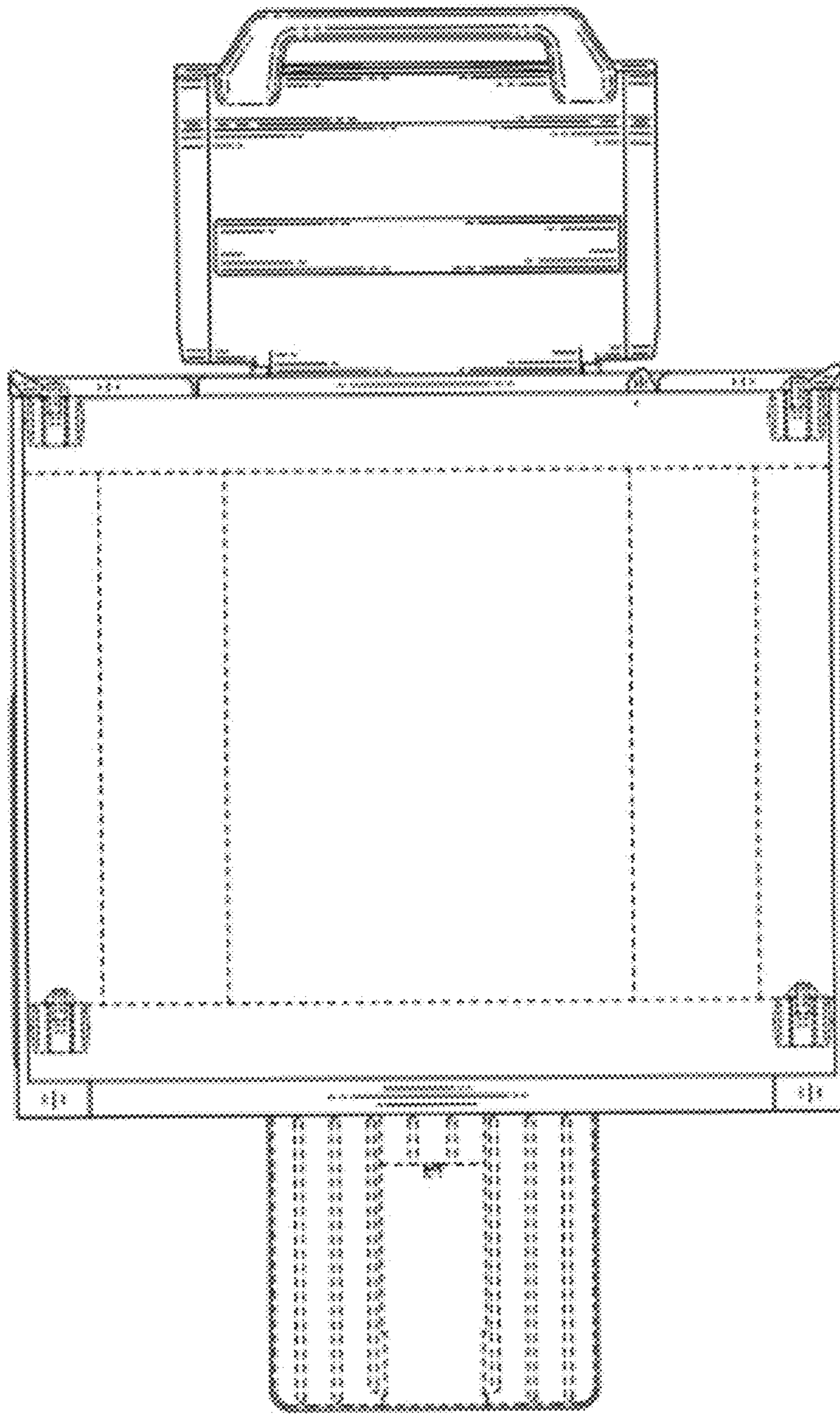


FIG. 8

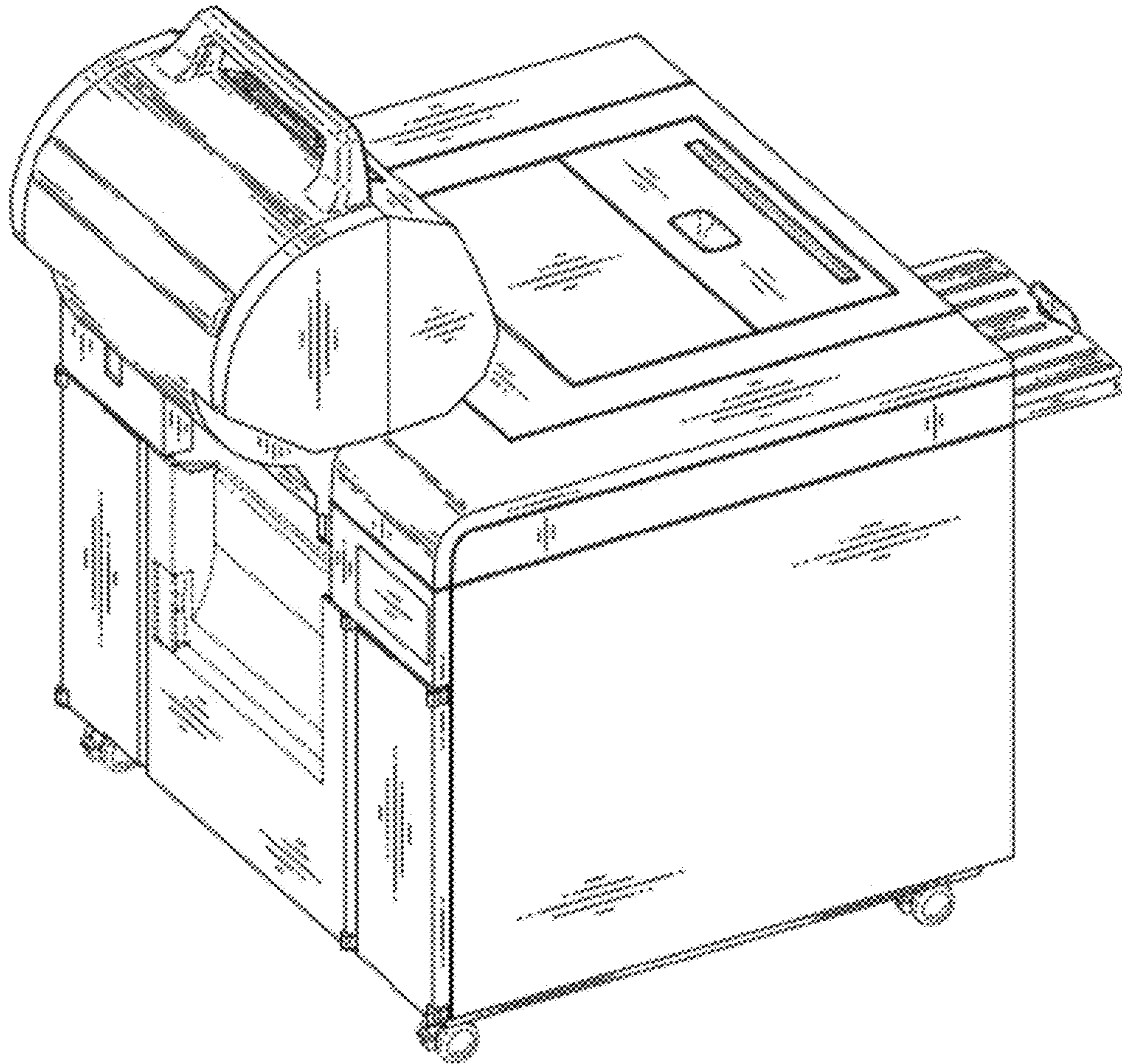


FIG. 9