

US00D667871S

(12) **United States Design Patent**
Suzuki et al.

(10) **Patent No.:** **US D667,871 S**

(45) **Date of Patent:** **** Sep. 25, 2012**

(54) **PRINTER**

(75) Inventors: **Wataru Suzuki**, Shiojiri (JP); **Tomoko Iwasaki**, Shiojiri (JP); **Emi Akahane**, Azumino (JP); **Takayuki Iijima**, Shiojiri (JP); **Seiya Hayashi**, Matsumoto (JP)

(73) Assignee: **Seiko Epson Corporation**, Tokyo (JP)

(**) Term: **14 Years**

(21) Appl. No.: **29/383,249**

(22) Filed: **Jan. 14, 2011**

(30) **Foreign Application Priority Data**

Jul. 28, 2010 (JP) 2010-018342

(51) **LOC (9) Cl.** **14-02**

(52) **U.S. Cl.** **D18/50**

(58) **Field of Classification Search** D14/420-425,
D14/463-470; D18/14, 19, 36-37, 50, 54,
D18/54.1, 55; 400/613, 613.1-613.4, 690,
400/690.1-690.4, 691-694

See application file for complete search history.

(56) **References Cited**

U.S. PATENT DOCUMENTS

D260,903	S	*	9/1981	Overman	D18/36
D261,271	S	*	10/1981	Samczyk	D18/36
4,884,904	A	*	12/1989	Berquist	D18/50
D314,787	S	*	2/1991	Gotham	D18/36
D352,054	S	*	11/1994	Yomo et al.	D18/36
D372,492	S	*	8/1996	Stanton	D18/54.1
D431,596	S	*	10/2000	Berger	D18/50
D439,273	S	*	3/2001	Sato et al.	D18/54.1

D516,120	S	*	2/2006	Yamano et al.	D18/55
D532,451	S	*	11/2006	Ito et al.	D18/55
D607,503	S	*	1/2010	Hyakumoto et al.	D18/50
D607,926	S	*	1/2010	Miyauchi et al.	D18/55
D643,875	S	*	8/2011	Suzuki et al.	D18/55

* cited by examiner

Primary Examiner — Cathy A MacCormac

(74) *Attorney, Agent, or Firm* — Workman Nydegger

(57) **CLAIM**

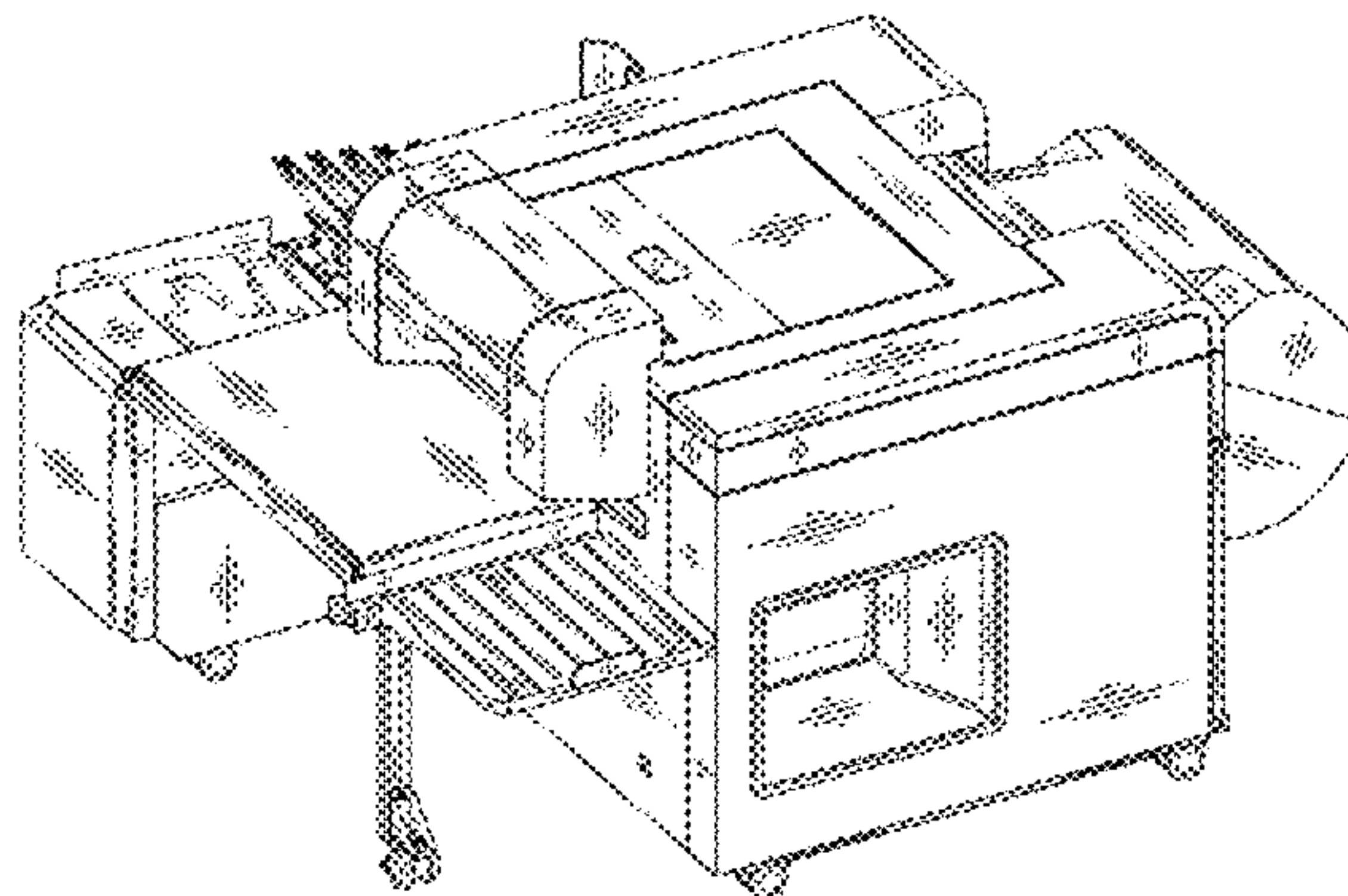
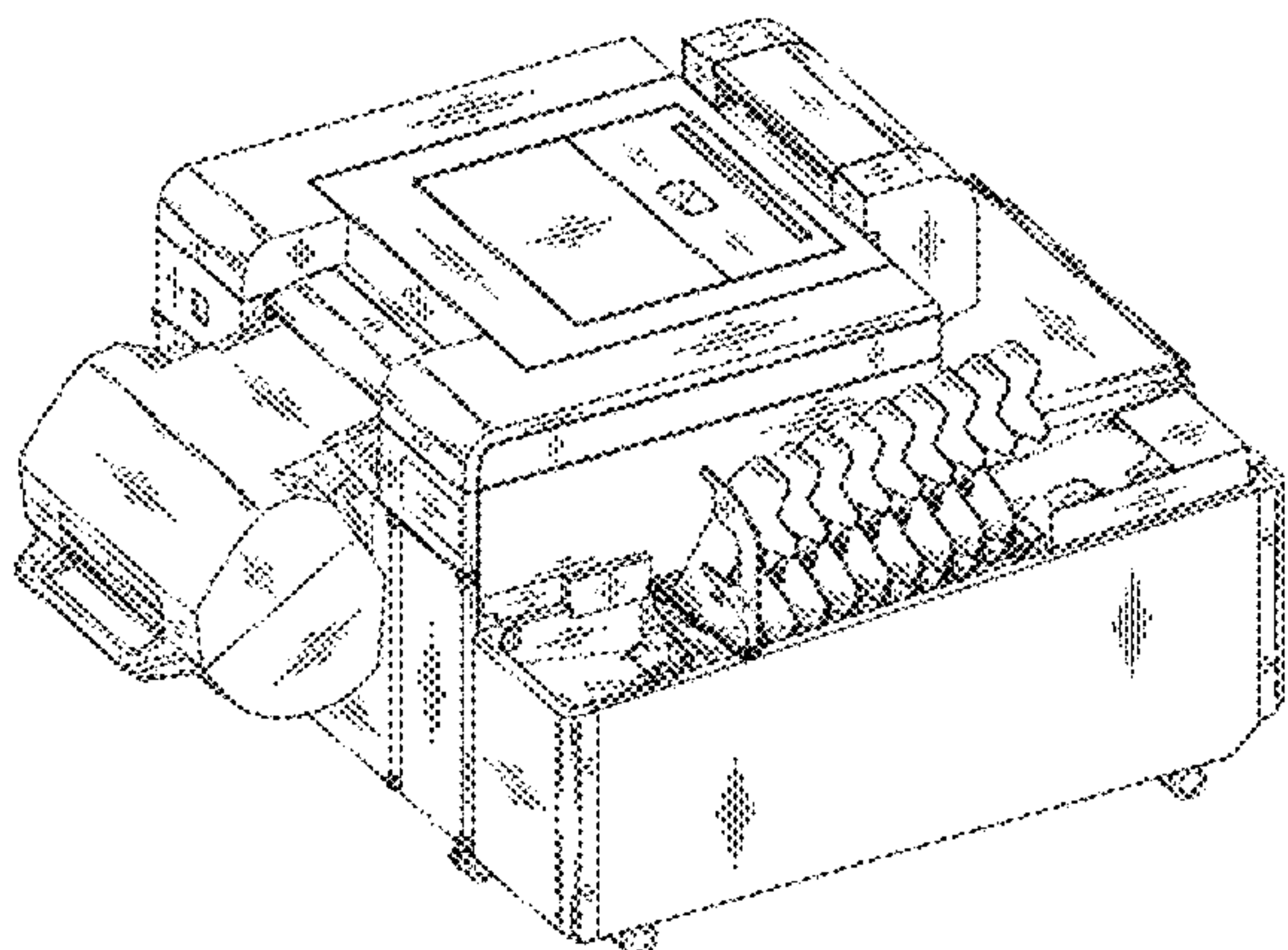
The ornamental design for a printer, as shown and described.

DESCRIPTION

FIG. 1 is a perspective view of our new design for a printer, viewed from the top front and right side;
 FIG. 2 is a perspective view of the printer shown in FIG. 1, viewed from the top rear and left side;
 FIG. 3 is a front view of the printer shown in FIG. 1;
 FIG. 4 is a rear view of the printer shown in FIG. 1;
 FIG. 5 is a left side view of the printer shown in FIG. 1;
 FIG. 6 is a right side view of the printer shown in FIG. 1;
 FIG. 7 is a top view of the printer shown in FIG. 1;
 FIG. 8 is a bottom view of the printer shown in FIG. 1; and,
 FIG. 9 is a perspective view of the printer shown in FIG. 1, viewed from the top front and right side, illustrating the printer in a different configuration.

Evenly spaced dashes in the figures represent unclaimed subject matter, while alternating long and short lines represent surface shading. Evenly spaced dashes, and alternating long and short lines, are for illustrative purposes only and form no part of the claimed design.

1 Claim, 7 Drawing Sheets



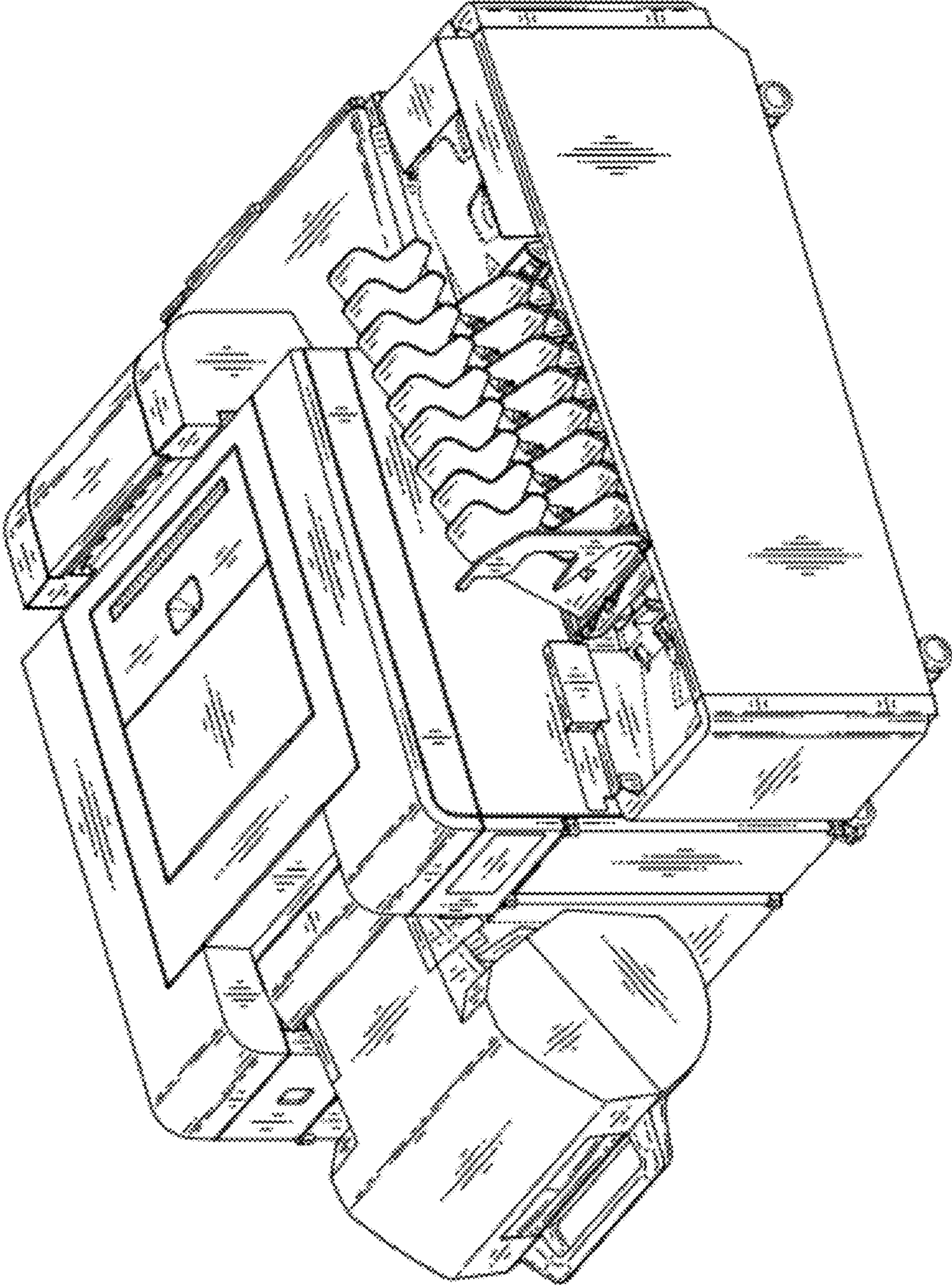


FIG. 1

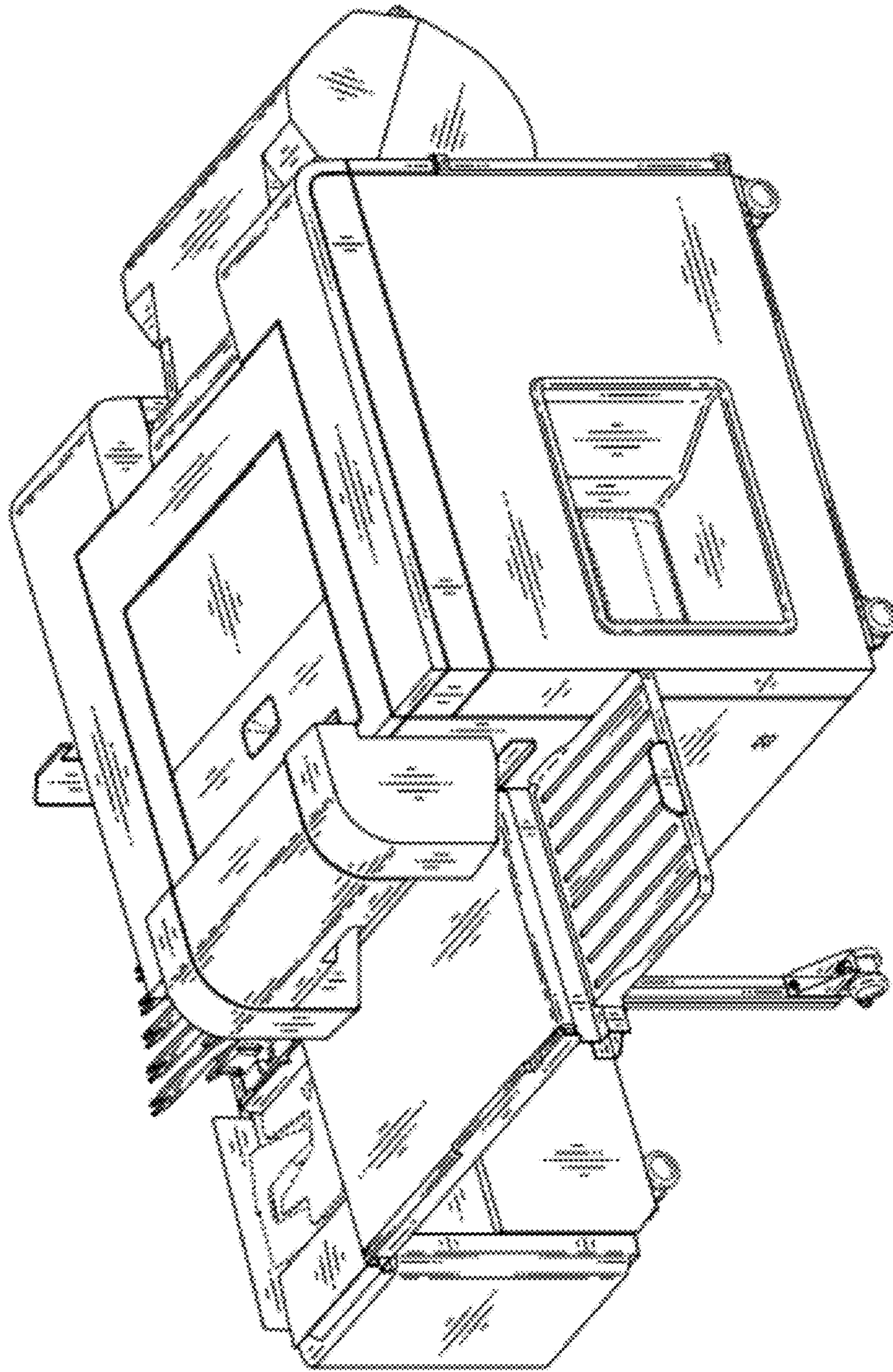


FIG. 2

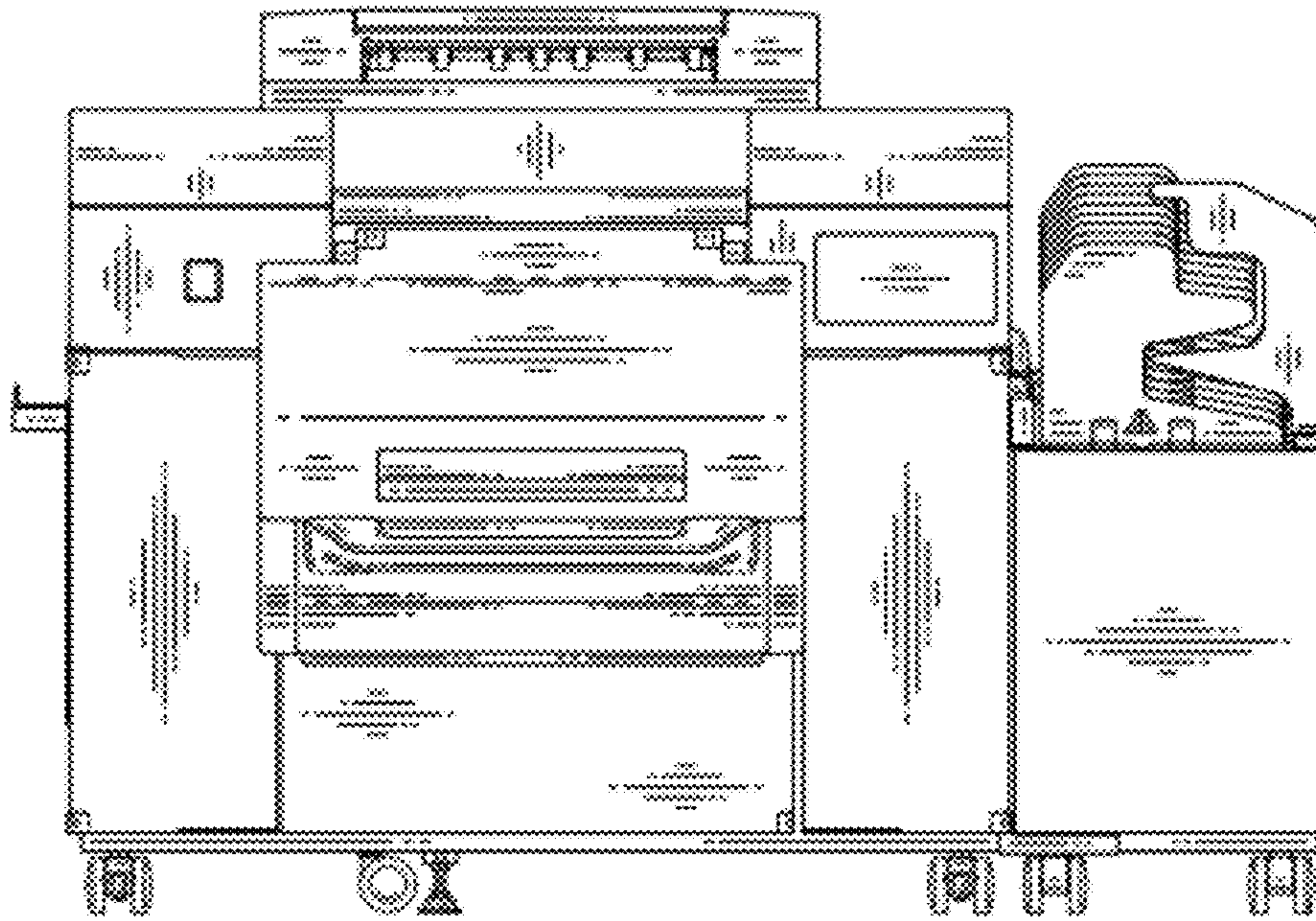


FIG. 3

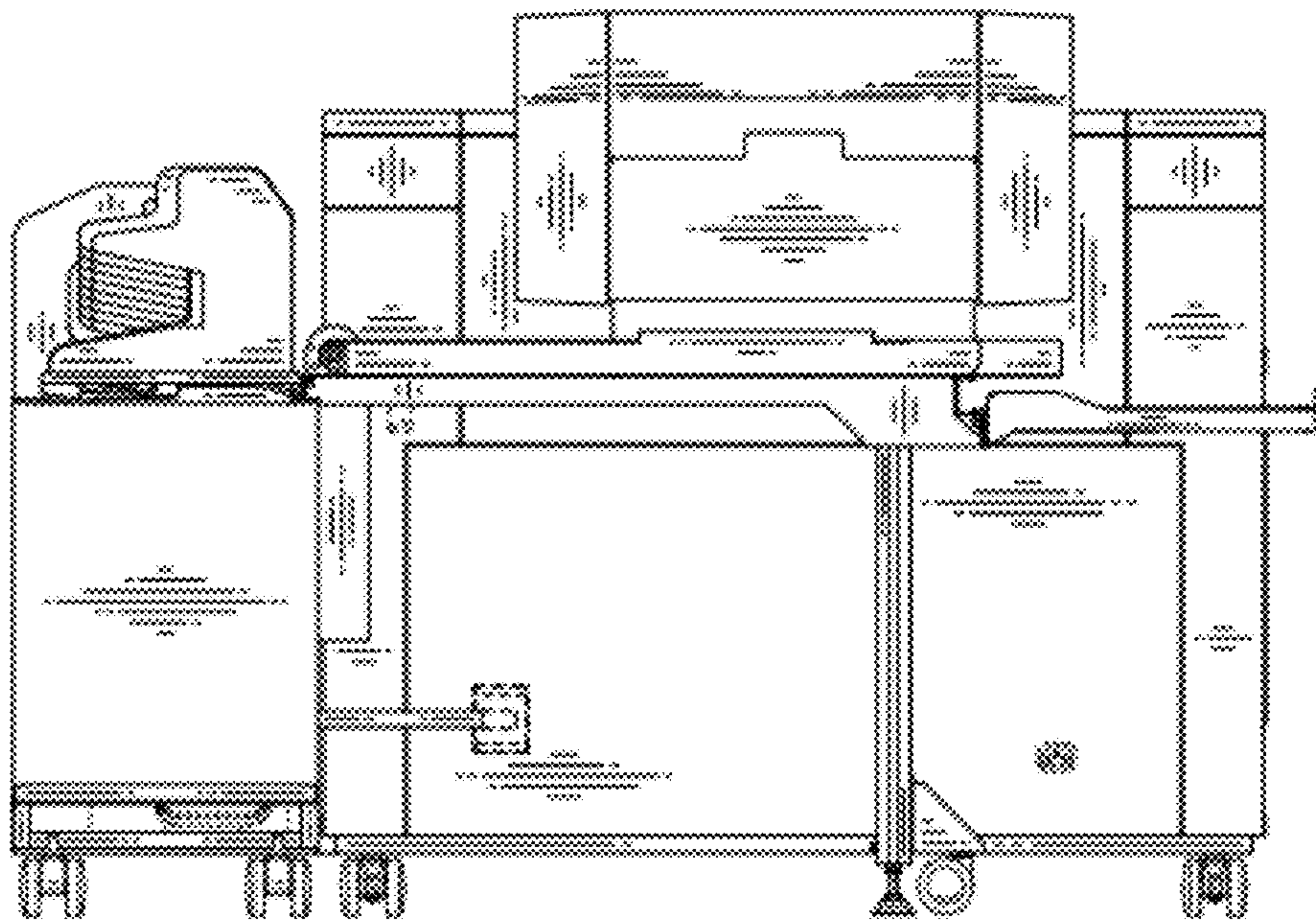


FIG. 4

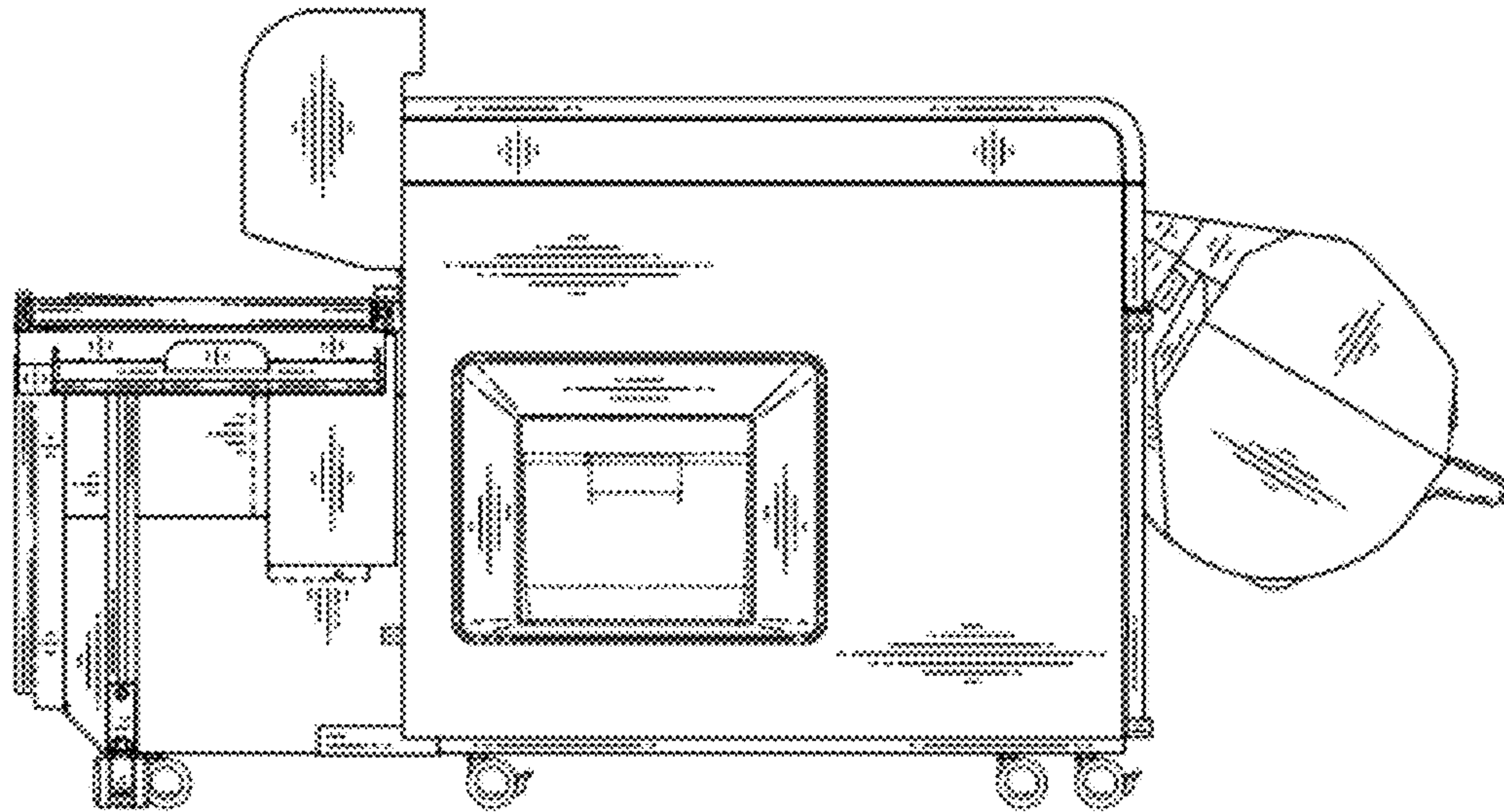


FIG. 5

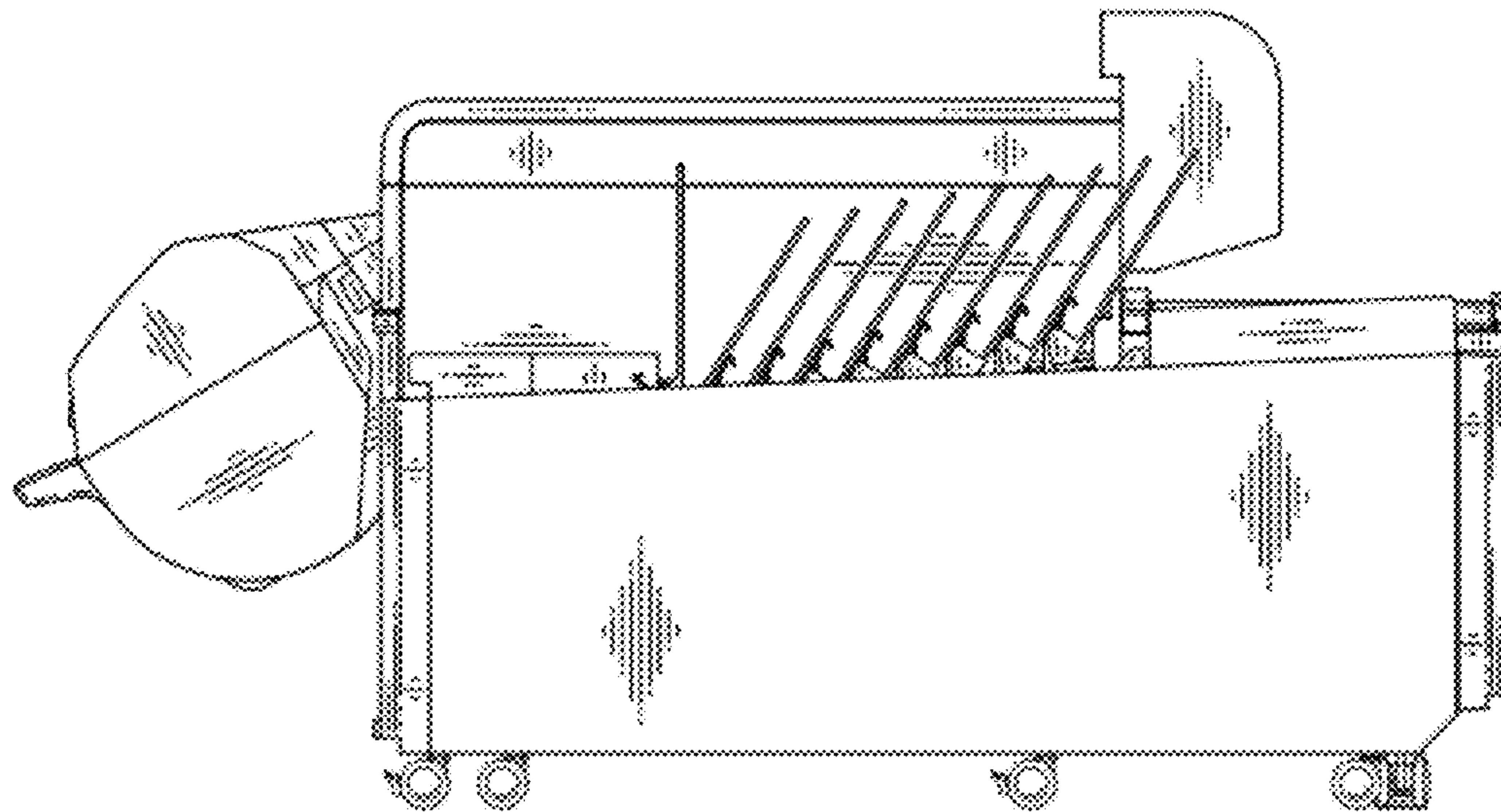


FIG. 6

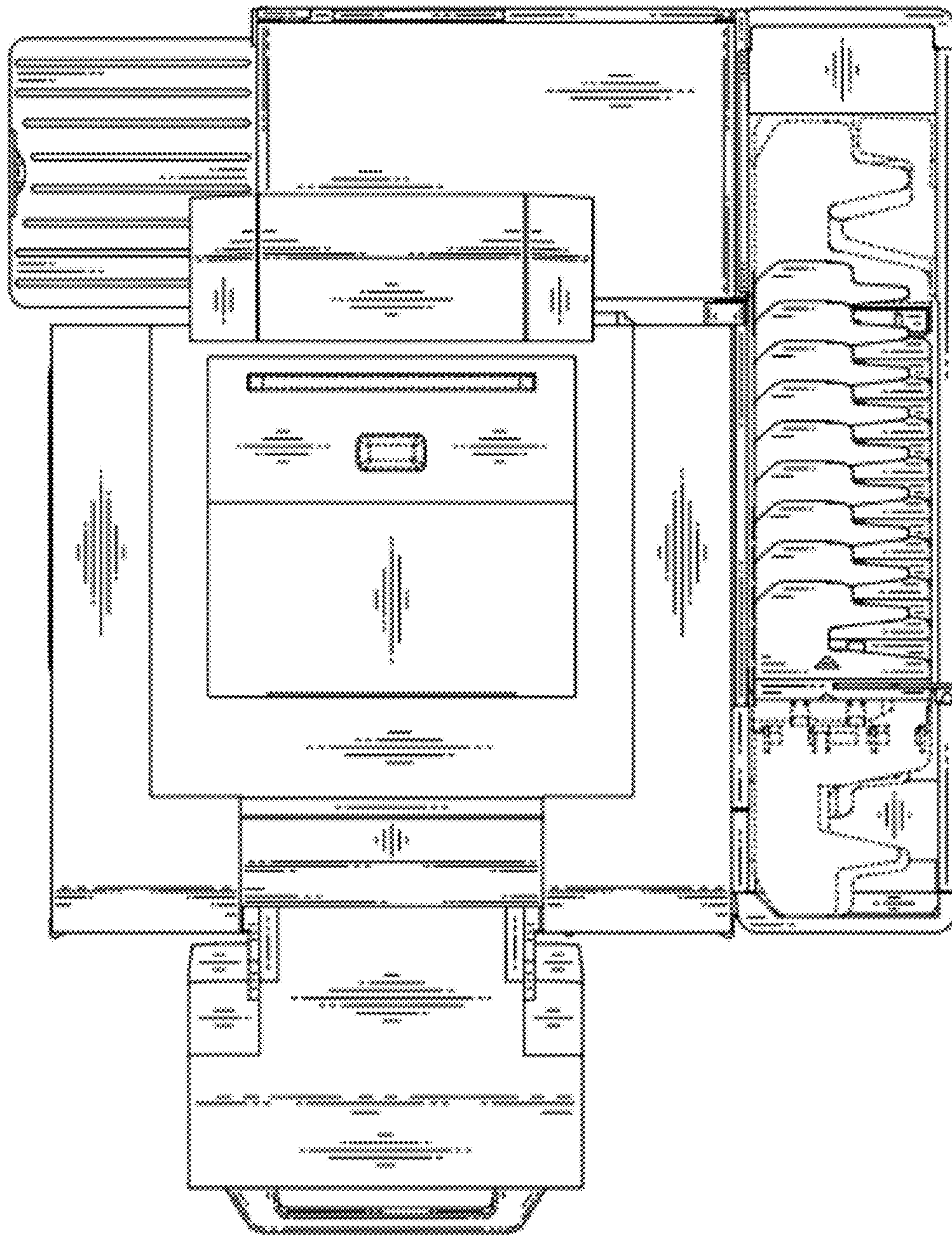


FIG. 7

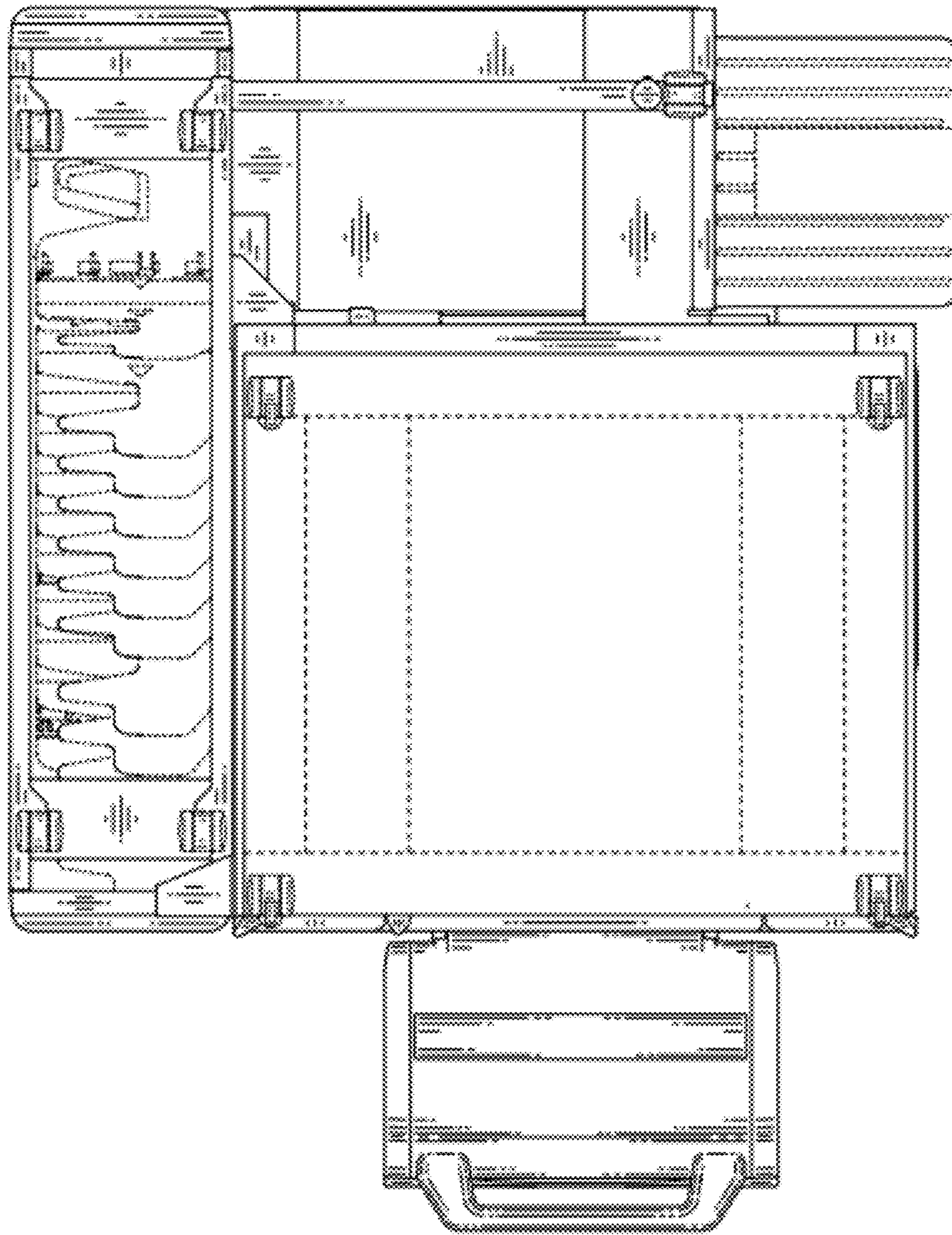


FIG. 8

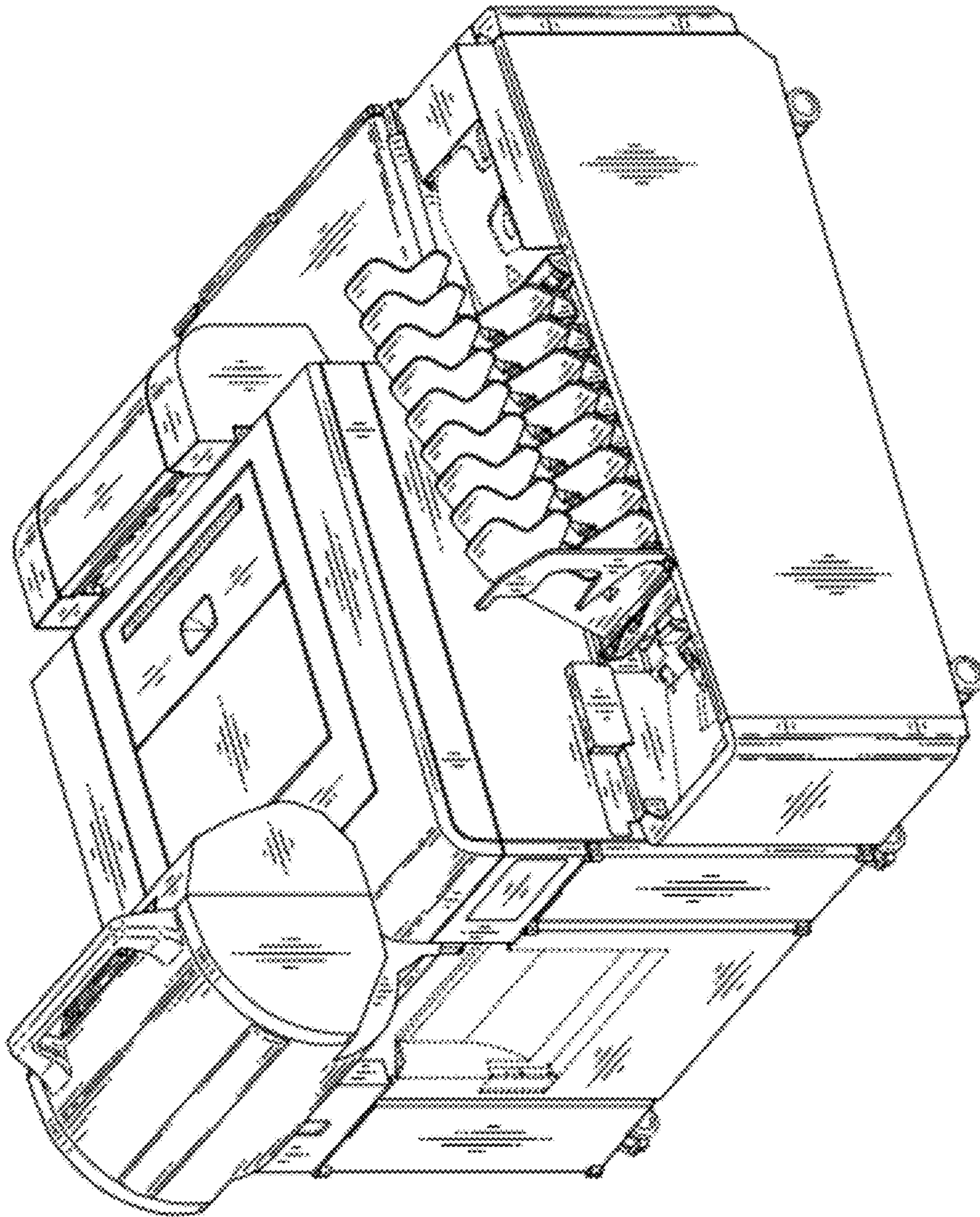


FIG. 9