

US00D667870S

(12) **United States Design Patent**  
**Huotari**

(10) **Patent No.:** **US D667,870 S**

(45) **Date of Patent:** **\*\* Sep. 25, 2012**

(54) **BOOK BINDING ALIGNMENT PLATE**

(75) Inventor: **Iisakki Huotari**, Espoo (FI)

(73) Assignee: **Maping Kommandittiyhtio L Huotari**  
(FI)

(\*\*) Term: **14 Years**

(21) Appl. No.: **29/409,364**

(22) Filed: **Dec. 22, 2011**

(30) **Foreign Application Priority Data**

Jun. 22, 2011 (DE) ..... 40 2011 003 423

(51) **LOC (9) Cl.** ..... **18-04**

(52) **U.S. Cl.** ..... **D18/34.1**

(58) **Field of Classification Search** ..... D18/34.1,  
D18/34.2, 34.9, 50, 53; D19/65-69; 156/908;  
412/9, 33-43

See application file for complete search history.

(56) **References Cited**

**U.S. PATENT DOCUMENTS**

3,717,366	A *	2/1973	Decker	.....	412/8
3,879,783	A *	4/1975	Giulie	.....	412/43
4,068,997	A *	1/1978	Elder et al.	.....	425/305.1
D301,153	S *	5/1989	Osako	.....	D18/34.9
5,304,025	A *	4/1994	Horii	.....	412/9
5,362,188	A *	11/1994	Tooker	.....	412/37
5,462,196	A *	10/1995	Hotkowski	.....	221/1

D411,227	S *	6/1999	Mori	.....	D18/34.9
6,652,210	B1 *	11/2003	Yeaple	.....	412/37
8,157,493	B2 *	4/2012	Kim	.....	412/33
2003/0012622	A1 *	1/2003	Itoh et al.	.....	412/37
2004/0240969	A1 *	12/2004	Desjarlais et al.	.....	412/40
2009/0229698	A1 *	9/2009	Chiang	.....	140/92.3

**FOREIGN PATENT DOCUMENTS**

EM	001966672-0003	*	2/2012
EM	001966672-0005	*	2/2012

\* cited by examiner

*Primary Examiner* — Bridget L Eland

(74) *Attorney, Agent, or Firm* — Bourque and Associates,  
PA

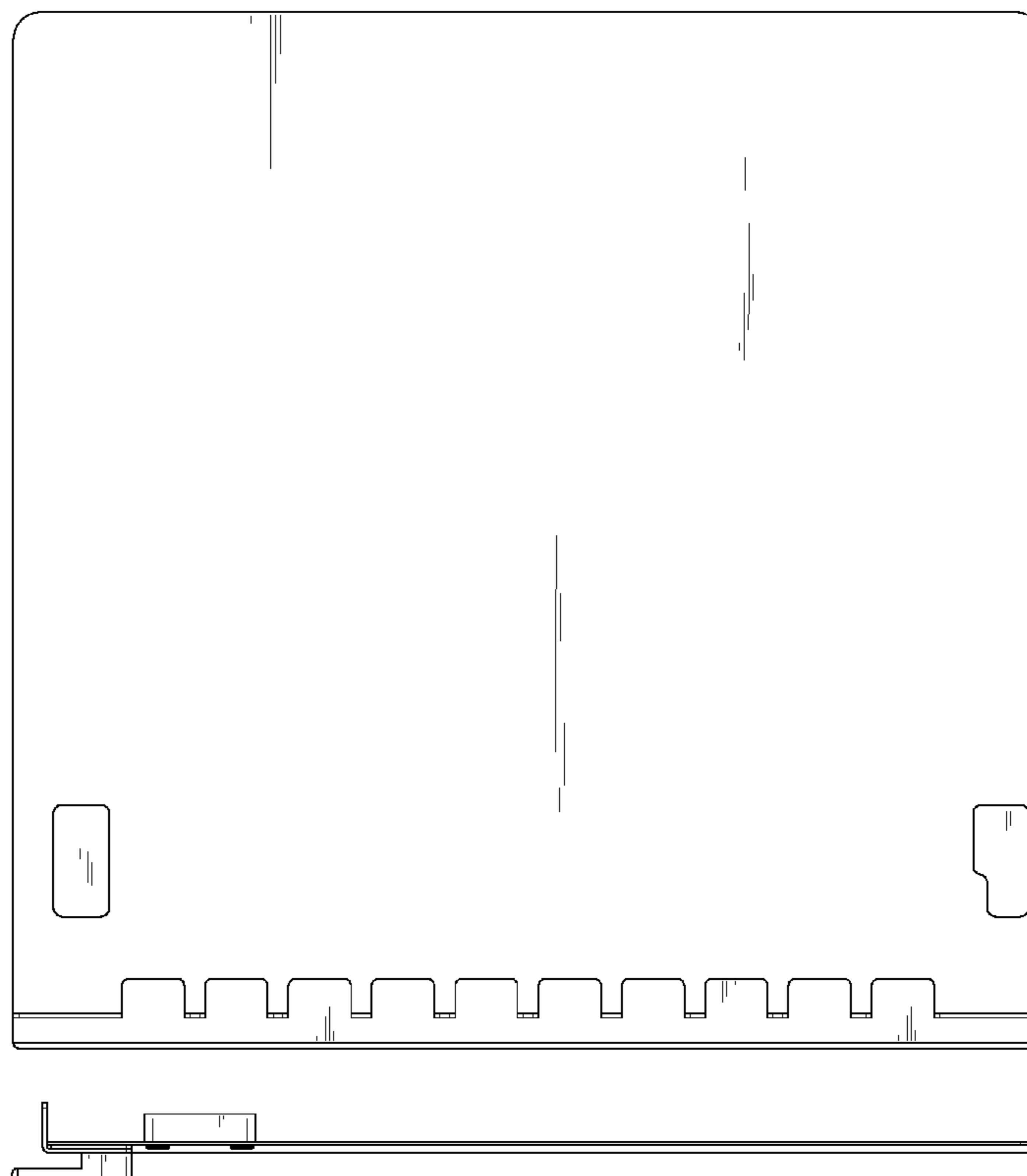
(57) **CLAIM**

The ornamental design for the book binding alignment plate,  
as shown and described.

**DESCRIPTION**

FIG. 1 is a right back side perspective view of the book binding alignment plate according to the present invention; FIG. 2 is a top view of the book binding alignment plate; FIG. 3 is a bottom view of the book binding alignment plate; FIG. 4 is a back view of the book binding alignment plate; FIG. 5 is a front view of the book binding alignment plate; FIG. 6 is a right side view of the book binding alignment plate; and, FIG. 7 is a left side view of the book binding alignment plate of the present invention.

**1 Claim, 7 Drawing Sheets**



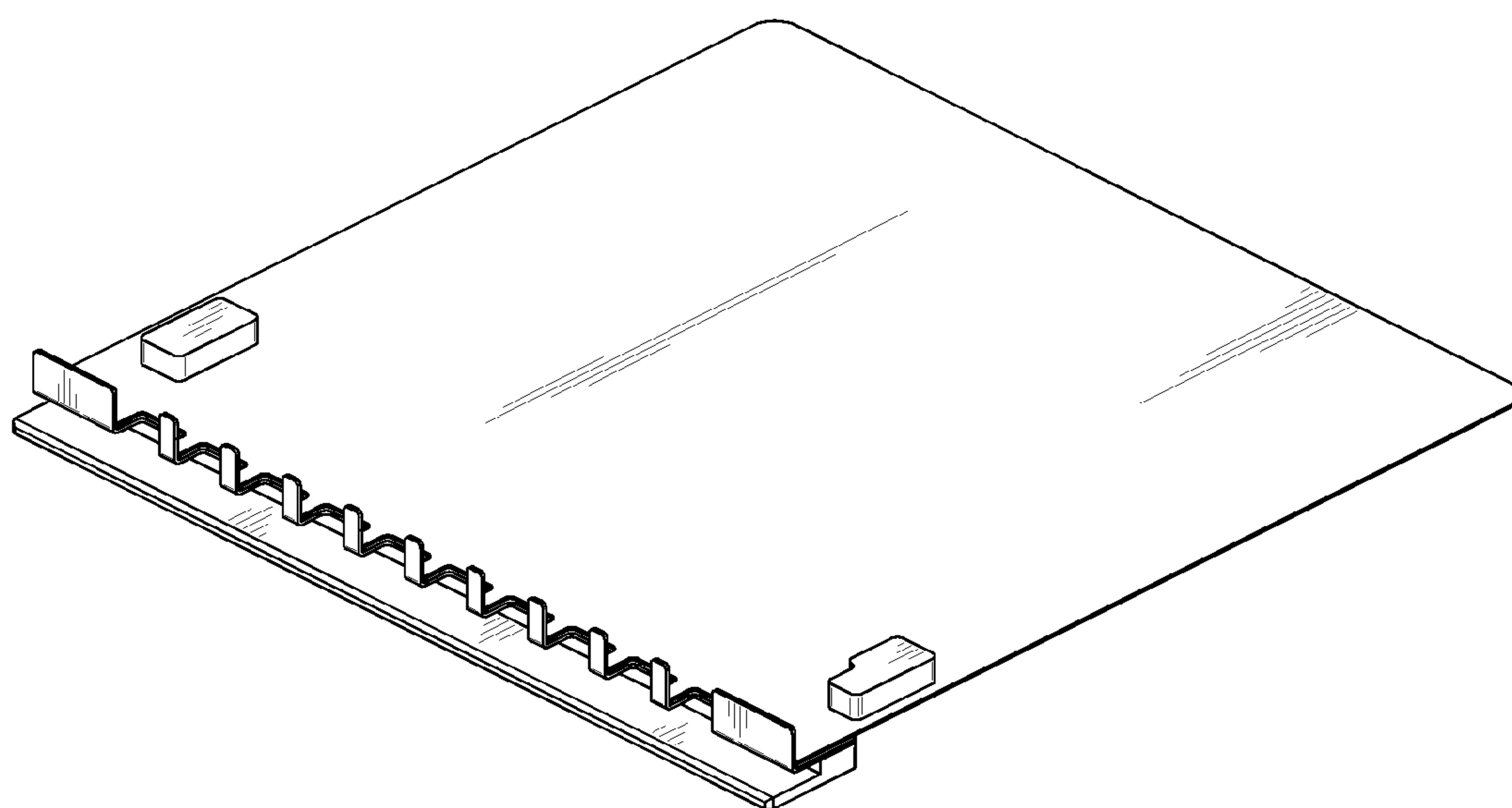


FIG. 1

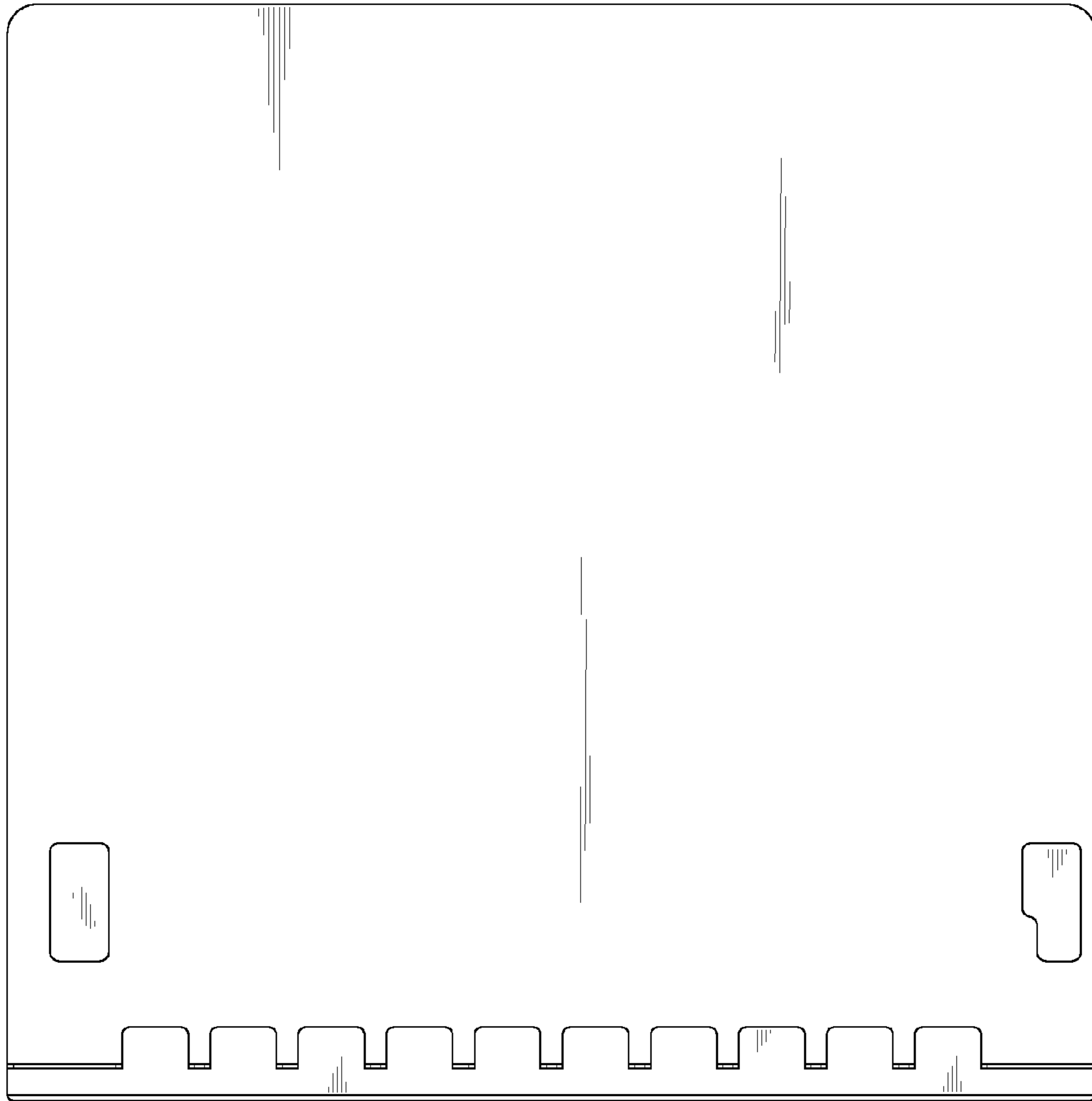


FIG. 2

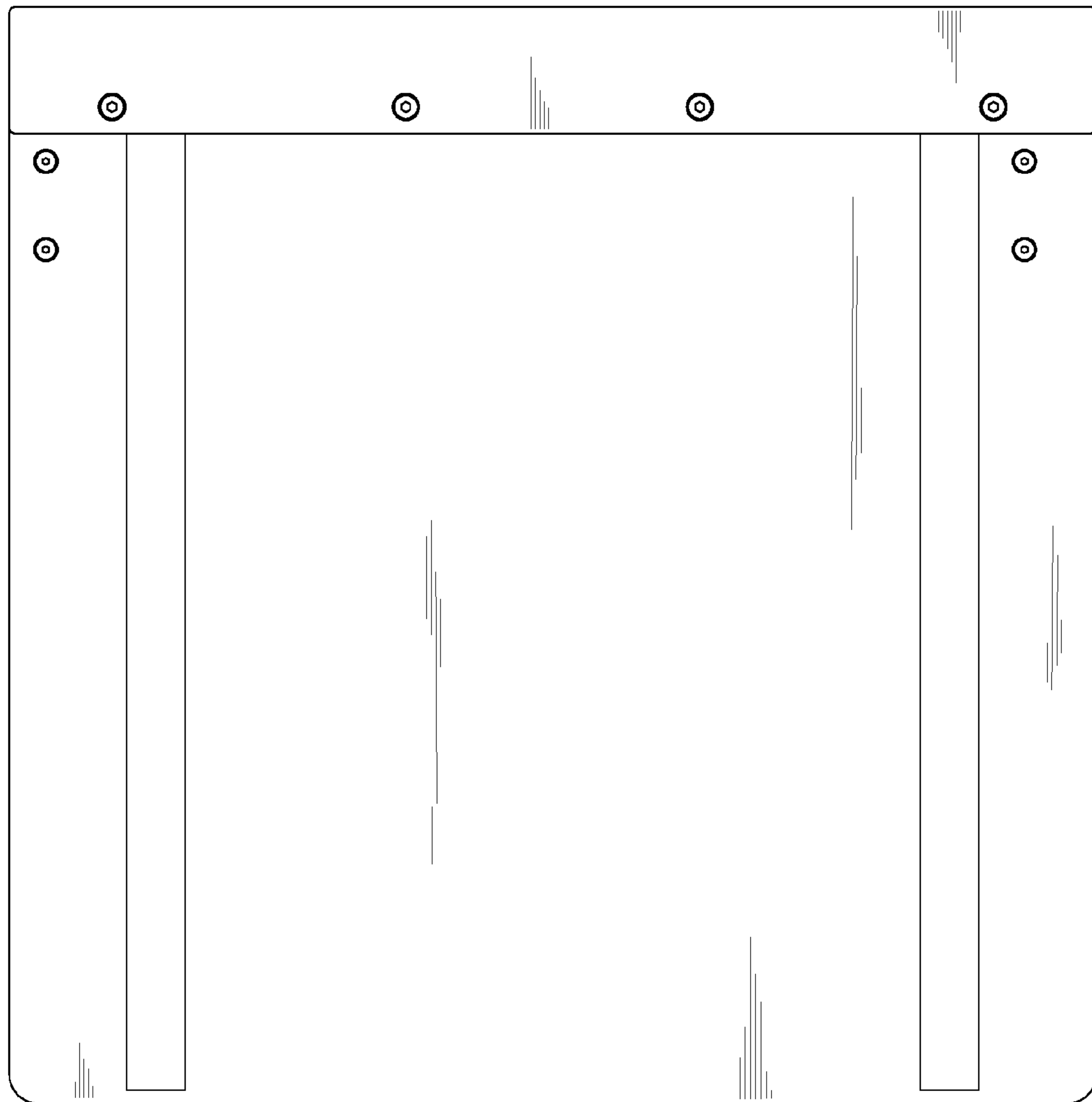


FIG. 3

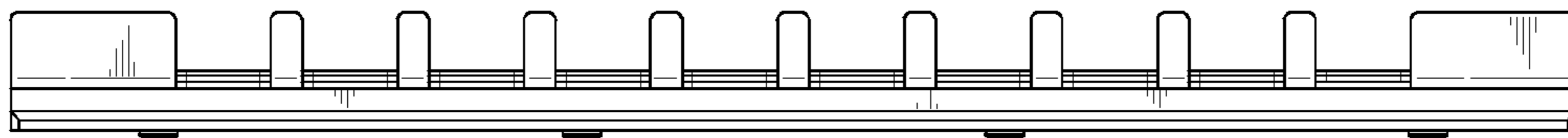


FIG. 4

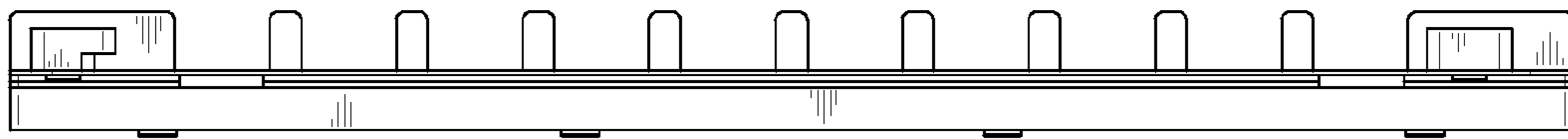


FIG. 5

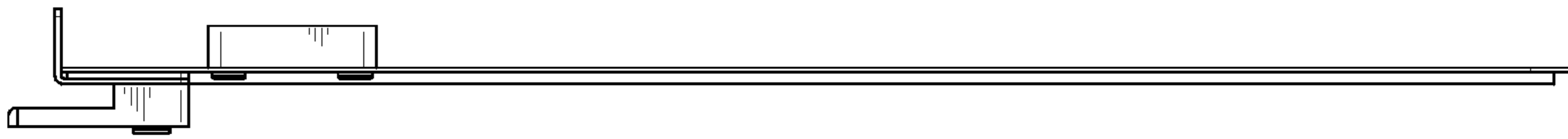


FIG. 6

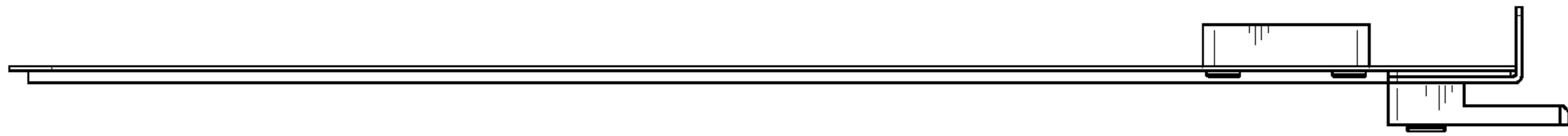


FIG. 7