

US00D667868S

(12) **United States Design Patent**  
**Huthmaker et al.**

(10) **Patent No.:** **US D667,868 S**

(45) **Date of Patent:** **\*\* Sep. 25, 2012**

(54) **PRINTER**

(75) Inventors: **Todd James Huthmaker**, Alpharetta, GA (US); **Lars Eric Blacken**, Roswell, GA (US)

(73) Assignee: **Sanford, L.P.**, Oak Brook, IL (US)

(\*\*) Term: **14 Years**

(21) Appl. No.: **29/400,287**

(22) Filed: **Aug. 25, 2011**

(51) **LOC (9) Cl.** ..... **18-99**

(52) **U.S. Cl.** ..... **D18/19; D18/52**

(58) **Field of Classification Search** ..... D18/14-21,  
D18/6-7, 50, 52; D19/68; D14/347, 426;  
358/1.1, 1.6, 1.8; 101/111, 288; 156/DIG. 48,  
156/0.49

See application file for complete search history.

(56) **References Cited**

**U.S. PATENT DOCUMENTS**

D260,783 S *	9/1981	Shimasaki	.....	D21/329
D360,890 S *	8/1995	Tremlett	.....	D18/19
D373,785 S *	9/1996	Watanabe et al.	.....	D18/19
D410,674 S *	6/1999	Tanaka et al.	.....	D18/19
D477,837 S *	7/2003	Hattori et al.	.....	D18/19
D494,593 S *	8/2004	Wulff et al.	.....	D14/429
D496,683 S *	9/2004	Matsumoto et al.	.....	D18/19
D568,379 S *	5/2008	Tien	.....	D18/7
D601,620 S *	10/2009	Mase et al.	.....	D18/19
D631,909 S *	2/2011	Blanc et al.	.....	D18/19
D633,915 S *	3/2011	Alegiani et al.	.....	D14/429
8,092,104 B2 *	1/2012	Buzuev et al.	.....	400/76

\* cited by examiner

*Primary Examiner* — Bridget L Eland

(74) *Attorney, Agent, or Firm* — Newell Rubbermaid, Inc.

(57) **CLAIM**

The ornamental design for a “printer,” as shown and described.

**DESCRIPTION**

FIG. 1 is a front plan view of a printer, showing our new design;

FIG. 2 is a bottom elevational view of the printer shown in FIG. 1;

FIG. 3 is a left side elevational view of the printer shown in FIG. 1;

FIG. 4 is a right side elevational view of the printer shown in FIG. 1;

FIG. 5 is a top elevational view of the printer shown in FIG. 1;

FIG. 6 is a back plan view of the printer shown in FIG. 1;

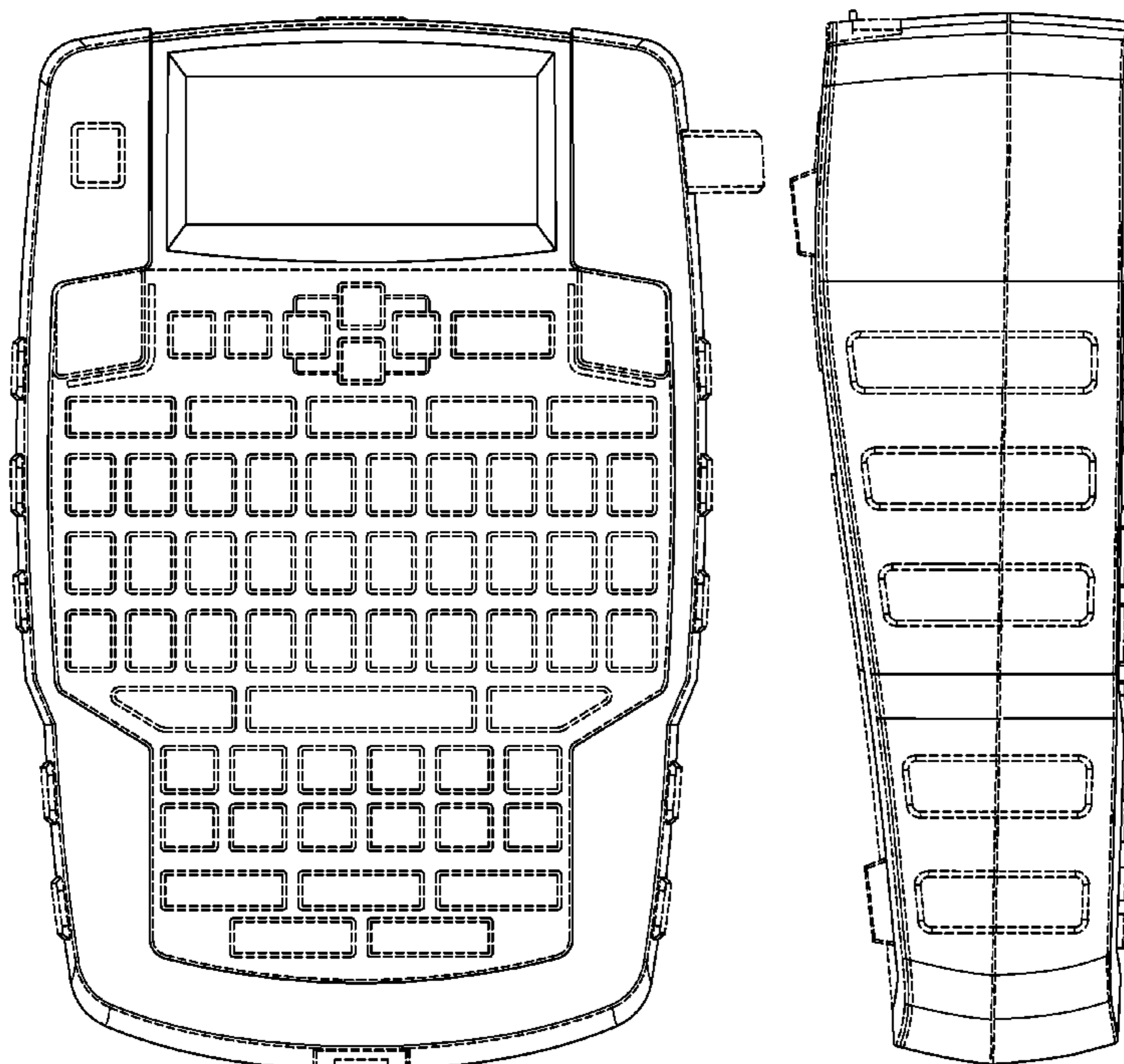
FIG. 7 is a front and right side perspective view of the printer shown in FIG. 1; and,

FIG. 8 is a right and back side perspective view of the printer shown in FIG. 1.

The broken lines immediately adjacent the claimed areas represent the bounds of the claimed design while all other broken lines are directed to environment and are for illustrative purposes only; the broken lines form no part of the claimed design.

The wire frame lines are intended to indicate surface contour and are not intended to be surface ornamentation

**1 Claim, 8 Drawing Sheets**



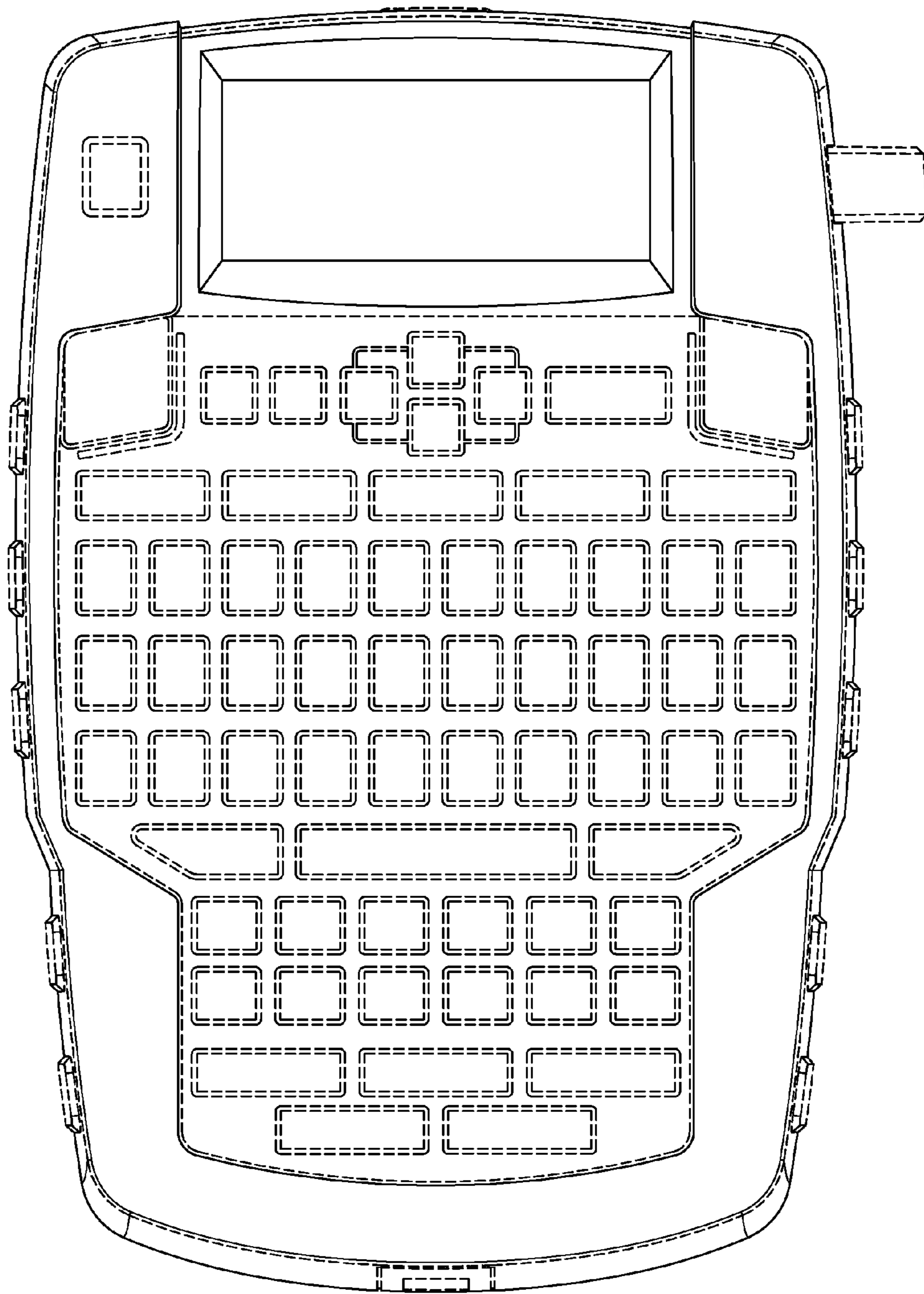


FIG. 1

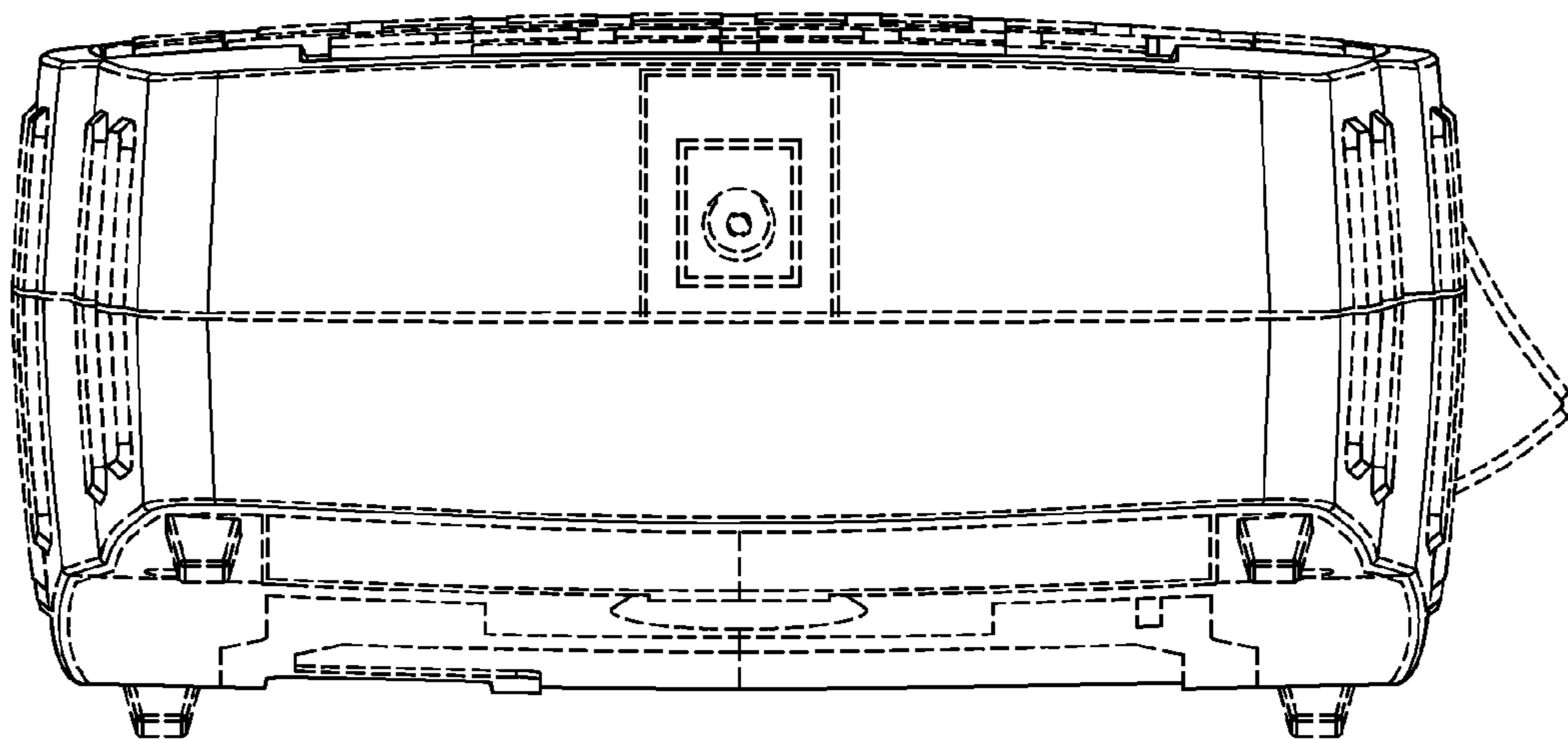


FIG. 2

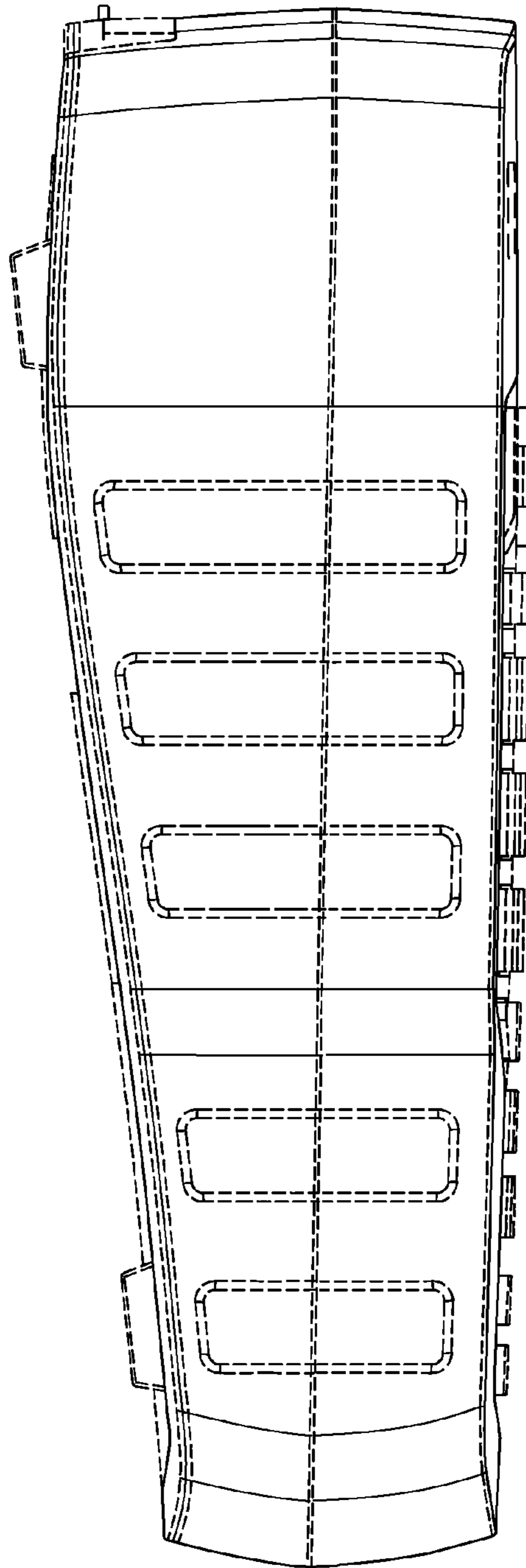


FIG. 3

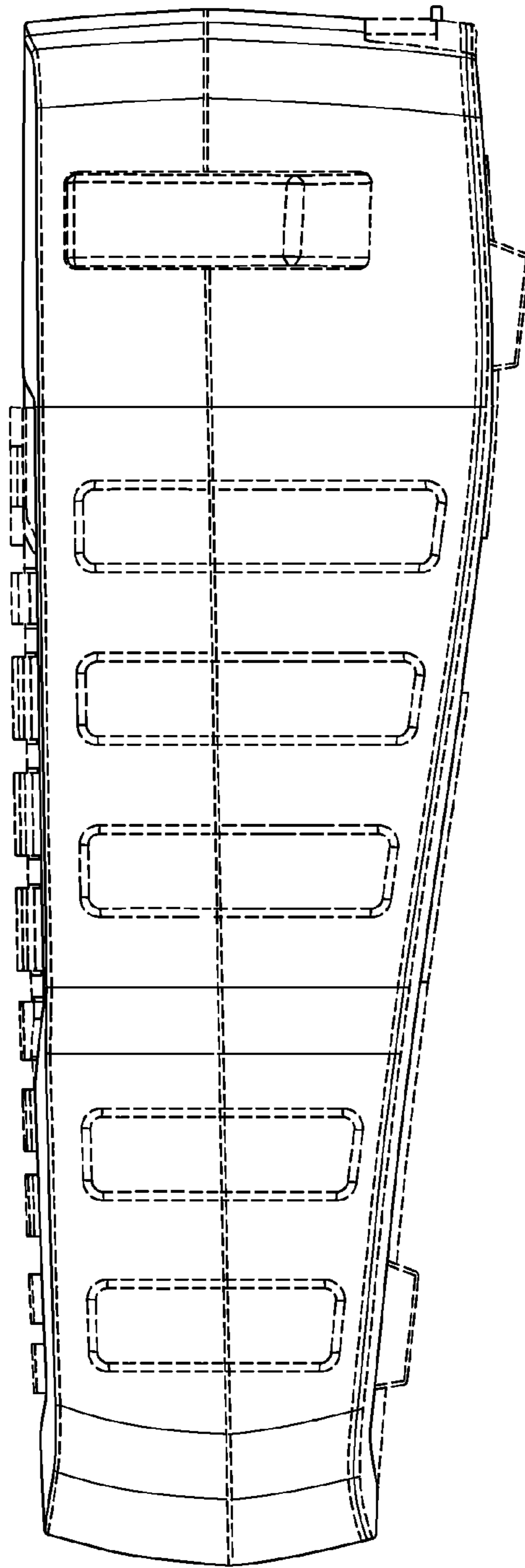


FIG. 4

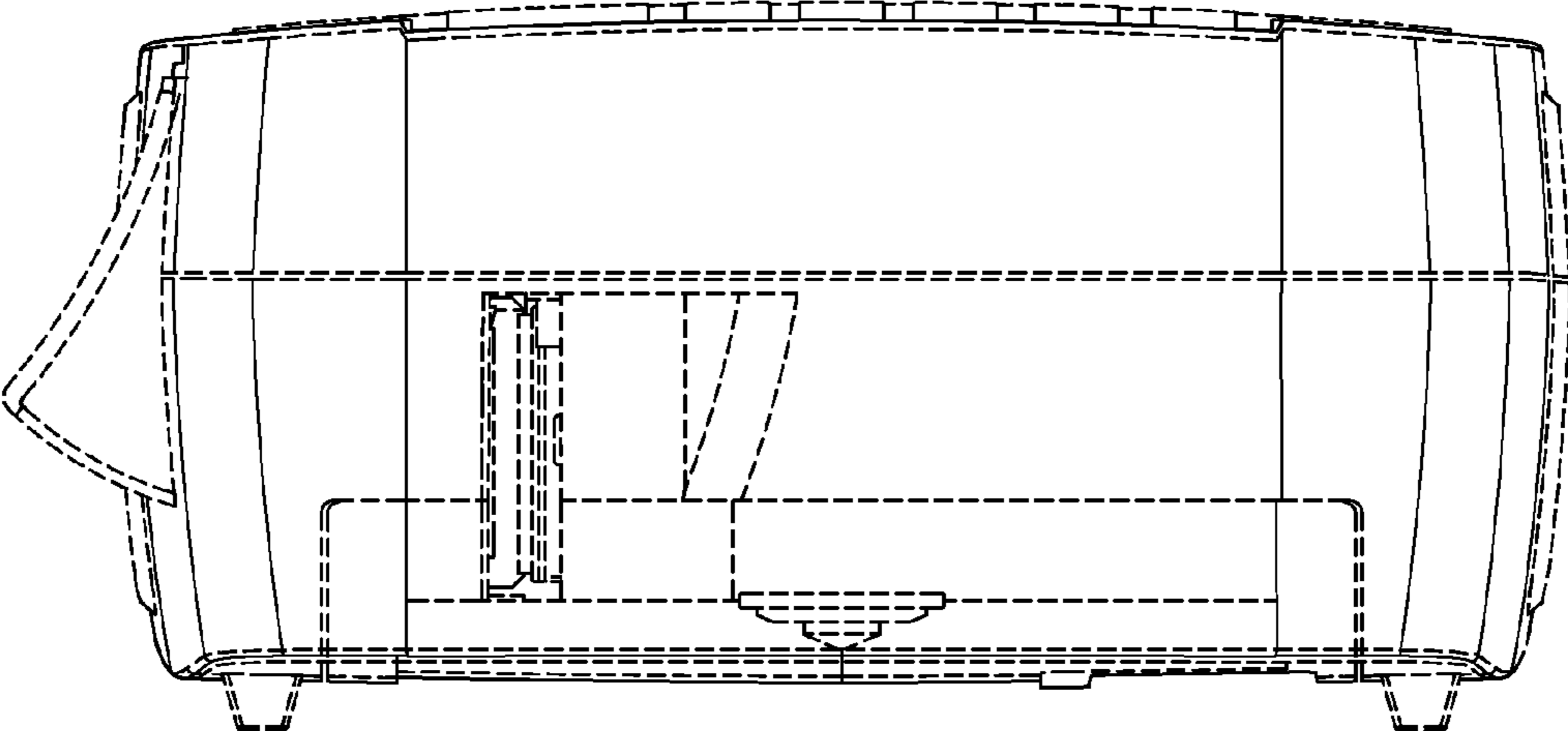


FIG. 5

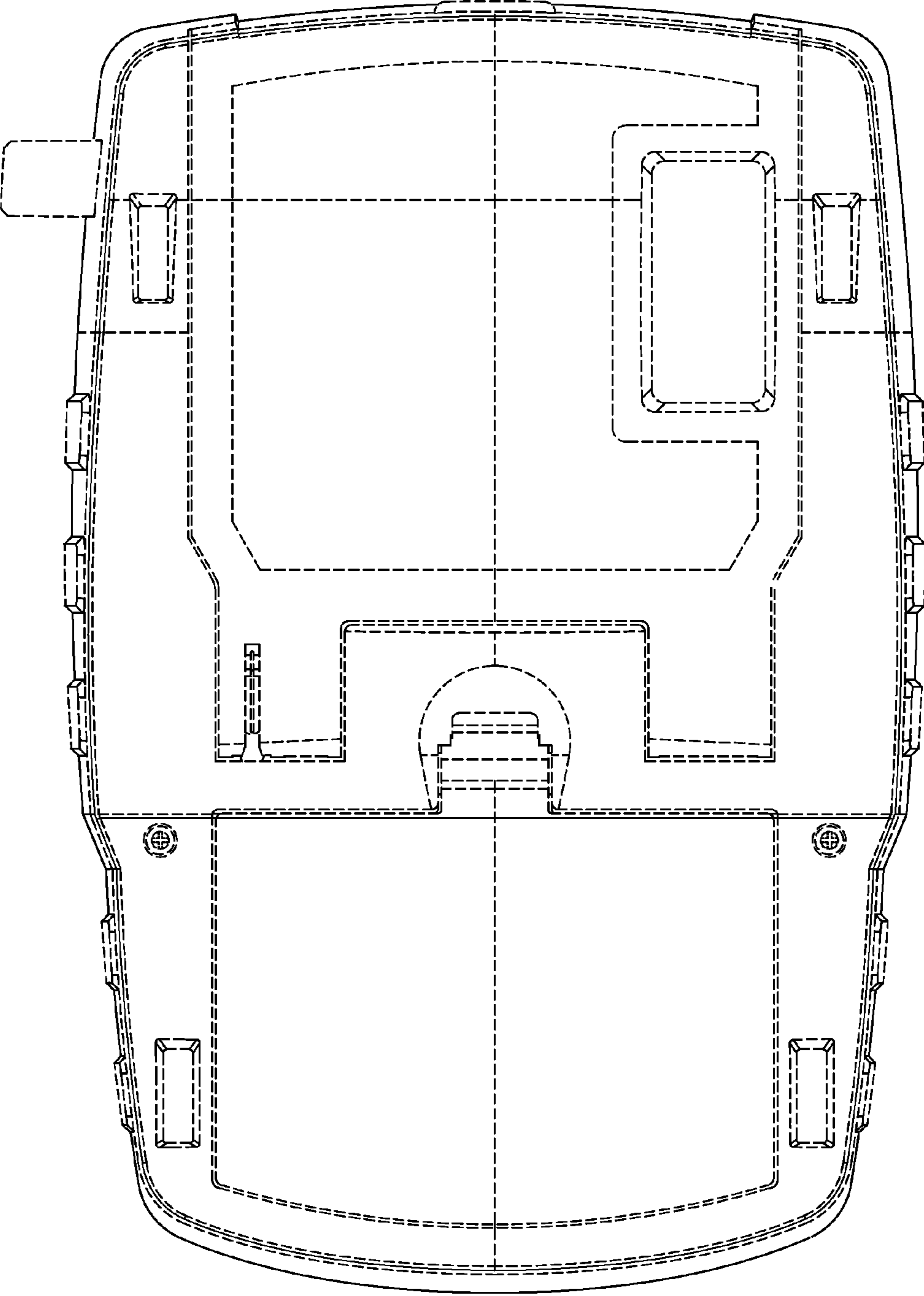


FIG. 6

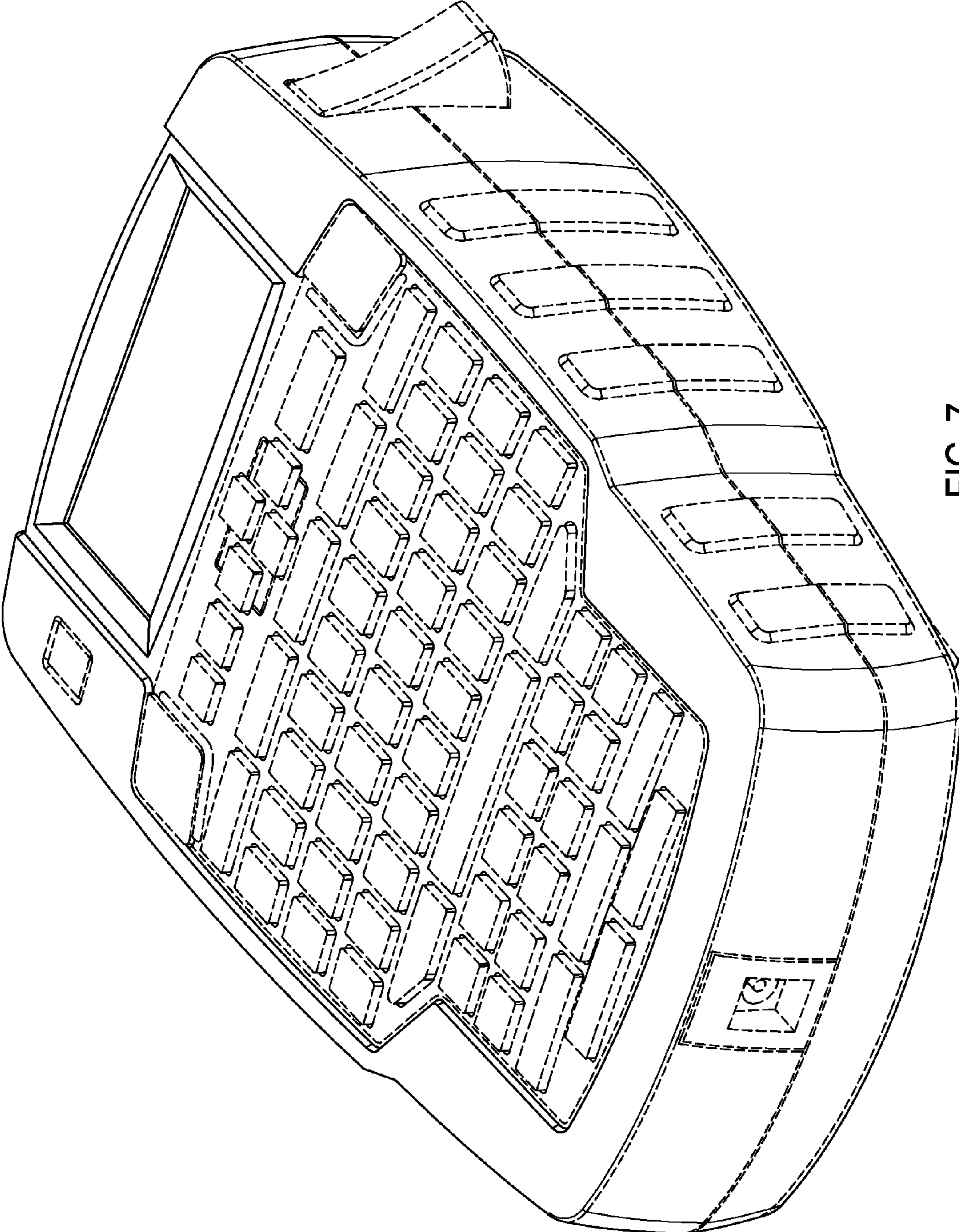


FIG. 7



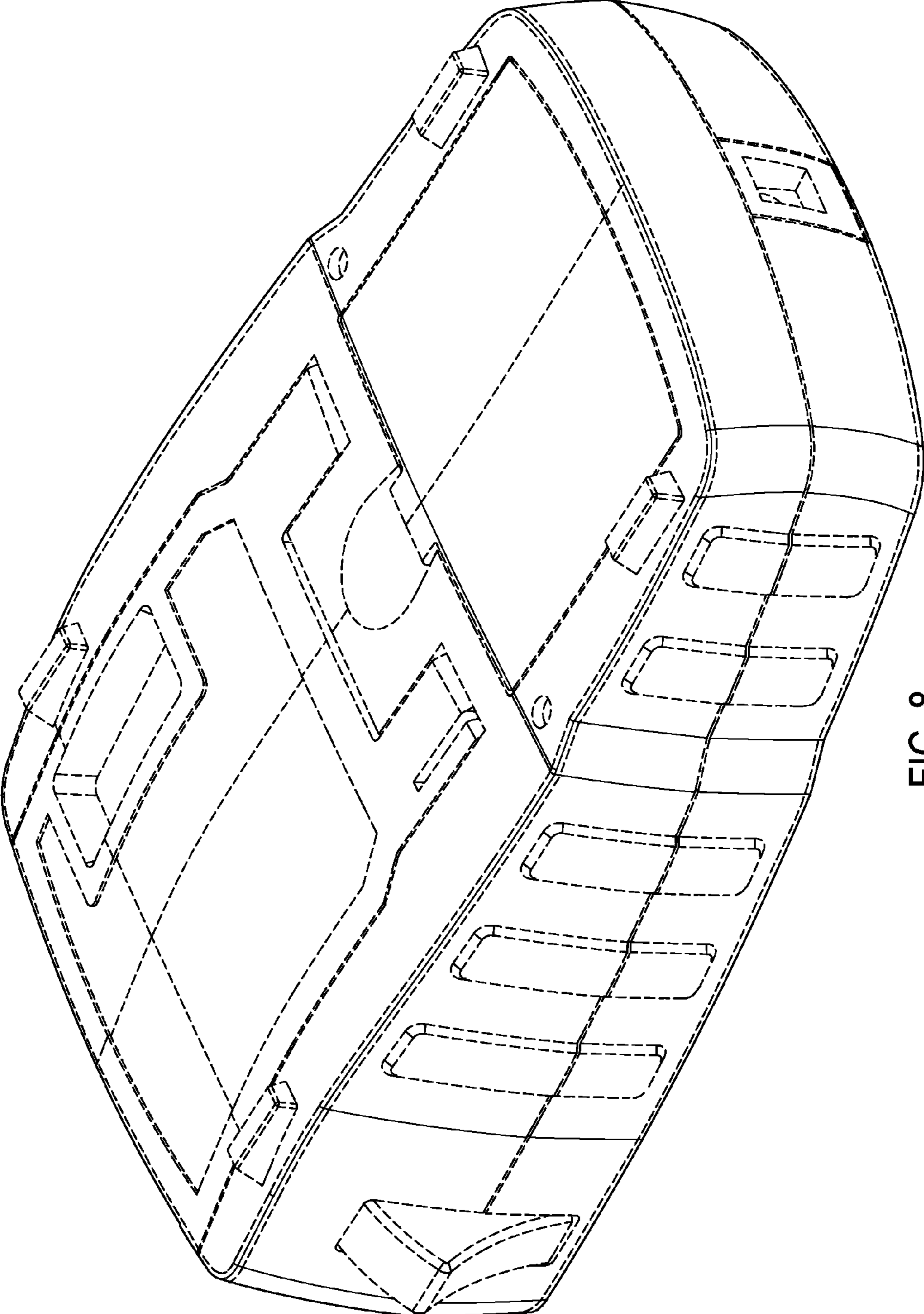


FIG. 8