



US00D667864S

(12) **United States Design Patent**
Yamada et al.

(10) **Patent No.:** **US D667,864 S**

(45) **Date of Patent:** **** Sep. 25, 2012**

(54) **PROJECTOR**

(75) Inventors: **Takahisa Yamada**, Tokyo (JP);
Toshiyuki Yamaguchi, Tokyo (JP);
Yasushi Itou, Tokyo (JP); **Kazuya Inoue**, Tokyo (JP); **Mitsuhiro Shimizu**, Tokyo (JP)

(73) Assignee: **NEC Display Solutions, Ltd.**, Tokyo (JP)

(**) Term: **14 Years**

(21) Appl. No.: **29/389,717**

(22) Filed: **Apr. 15, 2011**

(30) **Foreign Application Priority Data**

Oct. 18, 2010 (JP) 2010-24871

(51) **LOC (9) Cl.** **16-02**

(52) **U.S. Cl.** **D16/235**

(58) **Field of Classification Search** D16/205,
D16/208, 219, 221, 225, 230–231, 234–235;
D21/514; 353/115, 119, 122
See application file for complete search history.

(56) **References Cited**

U.S. PATENT DOCUMENTS

D321,527 S * 11/1991 Kurozumi et al. D16/234
D350,147 S * 8/1994 Ina D16/230

D498,489 S * 11/2004 Oross D16/230
D518,845 S * 4/2006 Uchida D16/230
D545,862 S * 7/2007 Kawasaki et al. D16/230
D605,215 S * 12/2009 Azuma D16/230

* cited by examiner

Primary Examiner — Wan Laymon

(74) *Attorney, Agent, or Firm* — Sughrue Mion, PLLC

(57) **CLAIM**

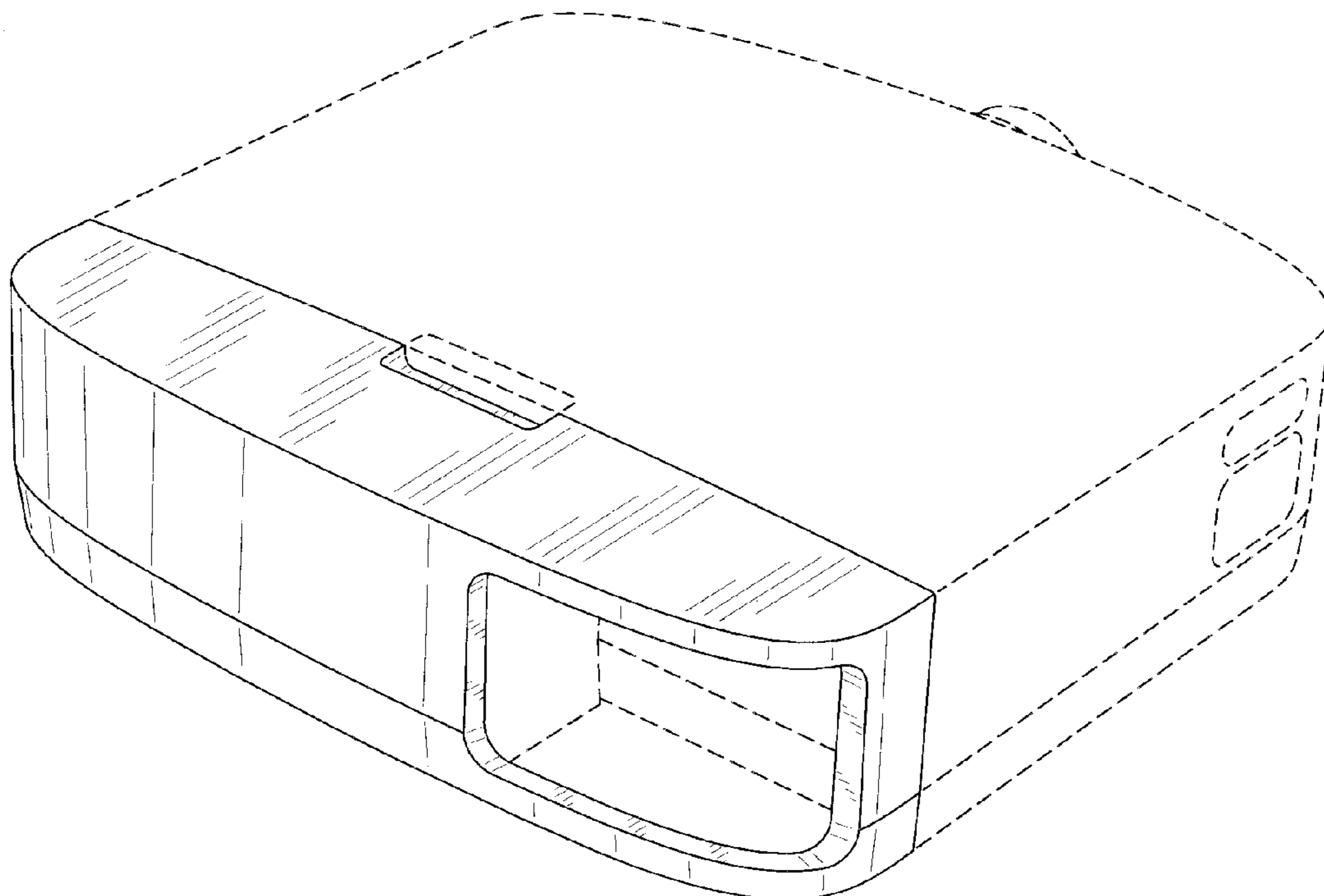
The ornamental design for a projector, as shown and described.

DESCRIPTION

FIG. 1 is a front, right side, top perspective view of a projector showing our new design, shown in a reduced scale; FIG. 2 is a front elevational view thereof; FIG. 3 is a rear elevational view thereof; FIG. 4 is a left side view thereof; FIG. 5 is a right side view thereof; FIG. 6 is a top plan view thereof; and, FIG. 7 is a bottom plan view thereof.

The broken lines shown in FIGS. 1 and 2 that are immediately adjacent to the shaded areas, and define unshaded areas, represent the bounds of the claimed design while all other broken lines represent environmental structure and are for illustrative purposes only; the broken lines form no part of the claimed design.

1 Claim, 5 Drawing Sheets



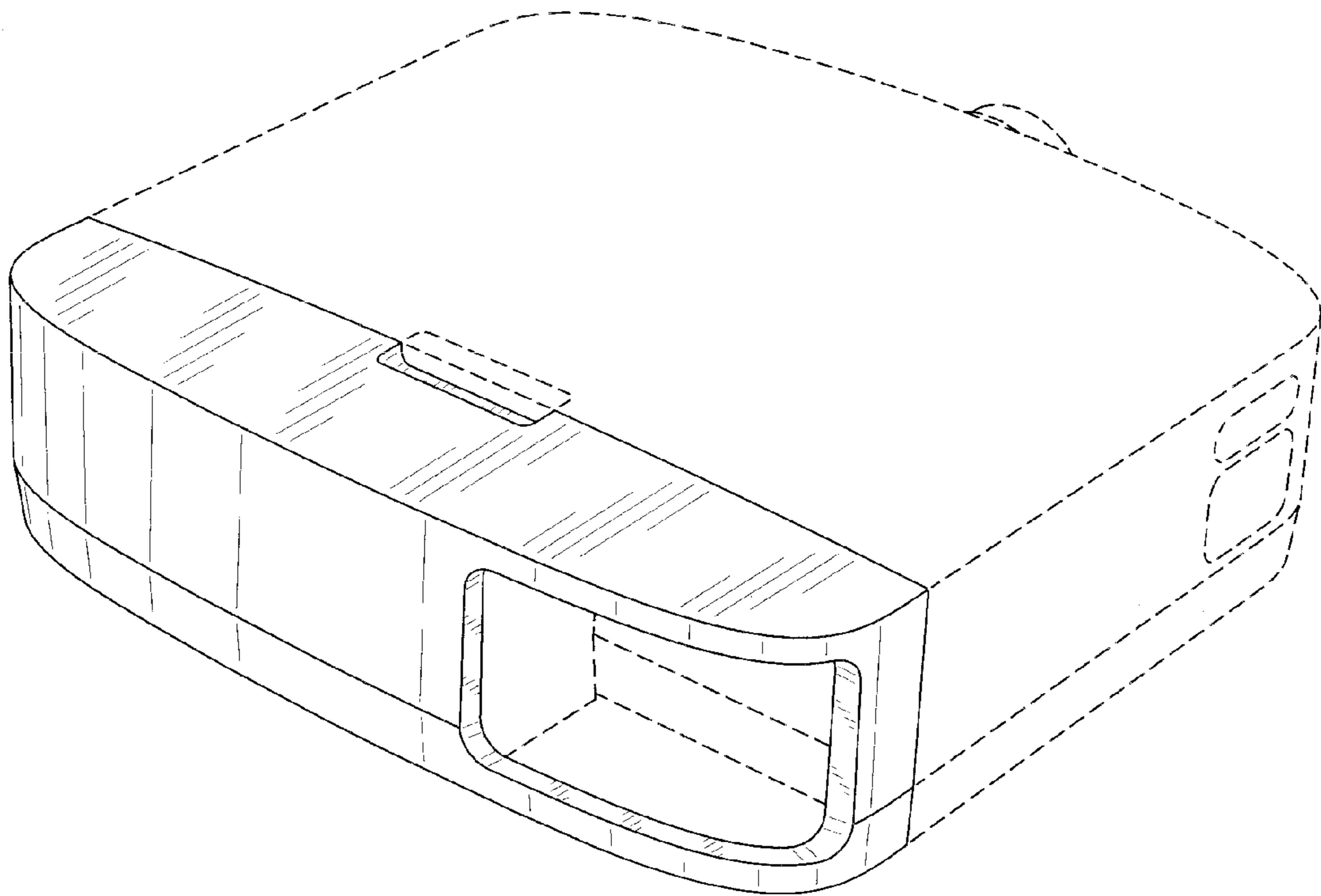


FIG. 1

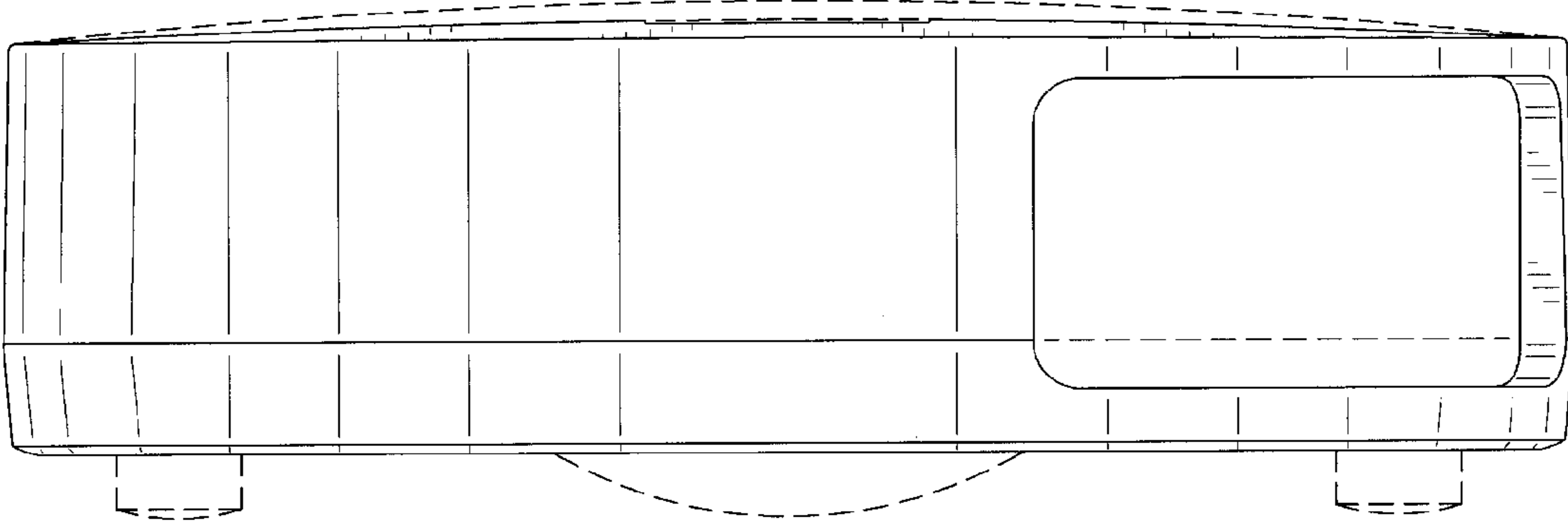


FIG. 2

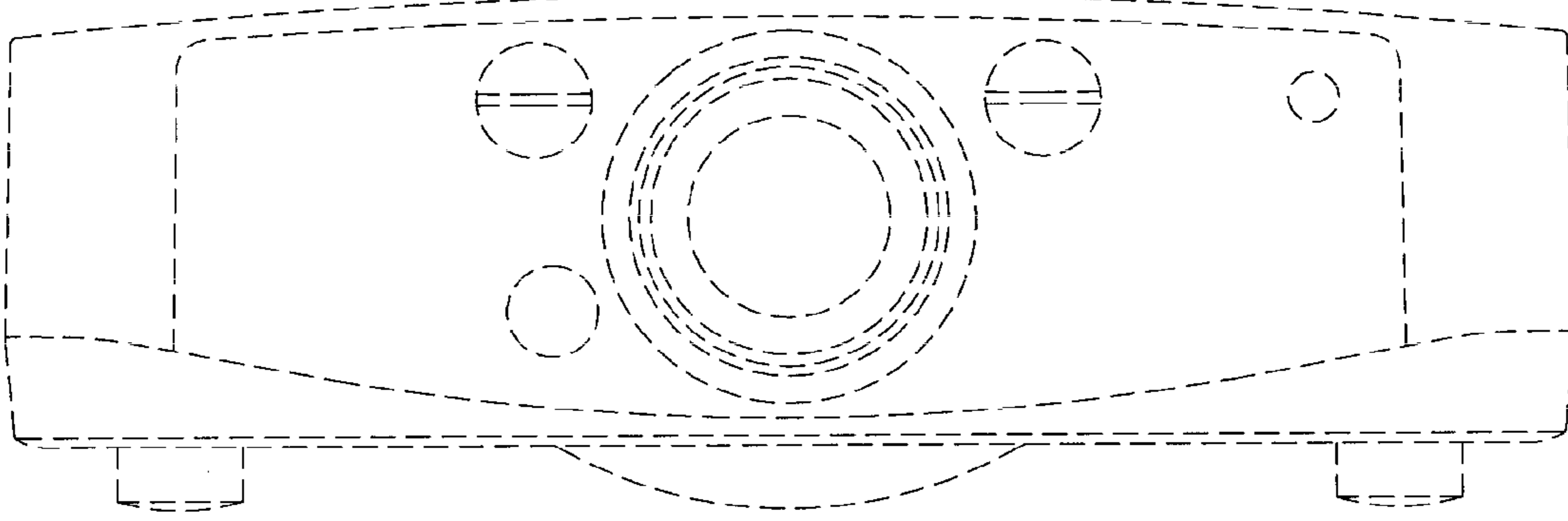


FIG. 3

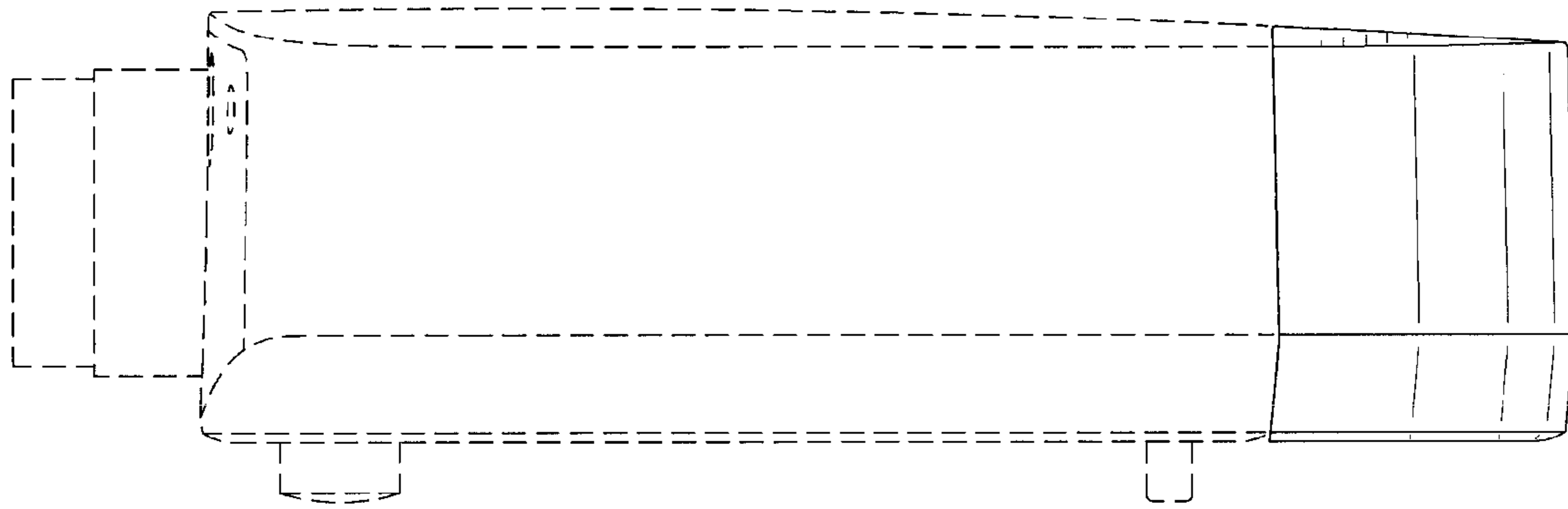


FIG. 4

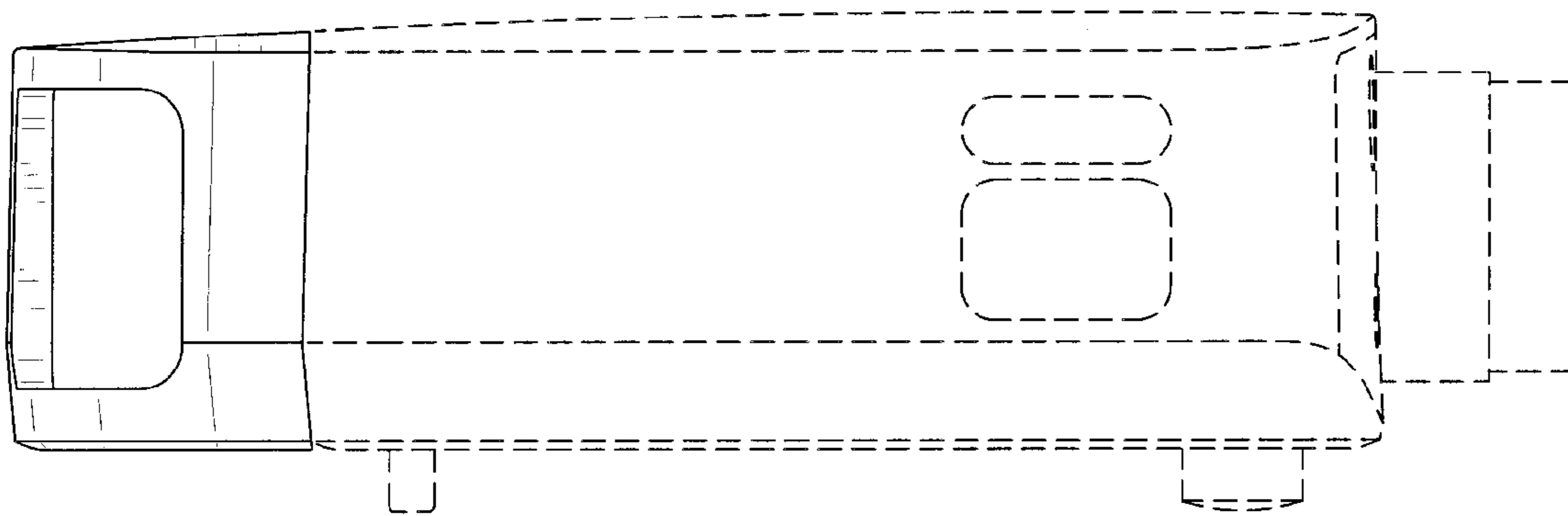


FIG. 5

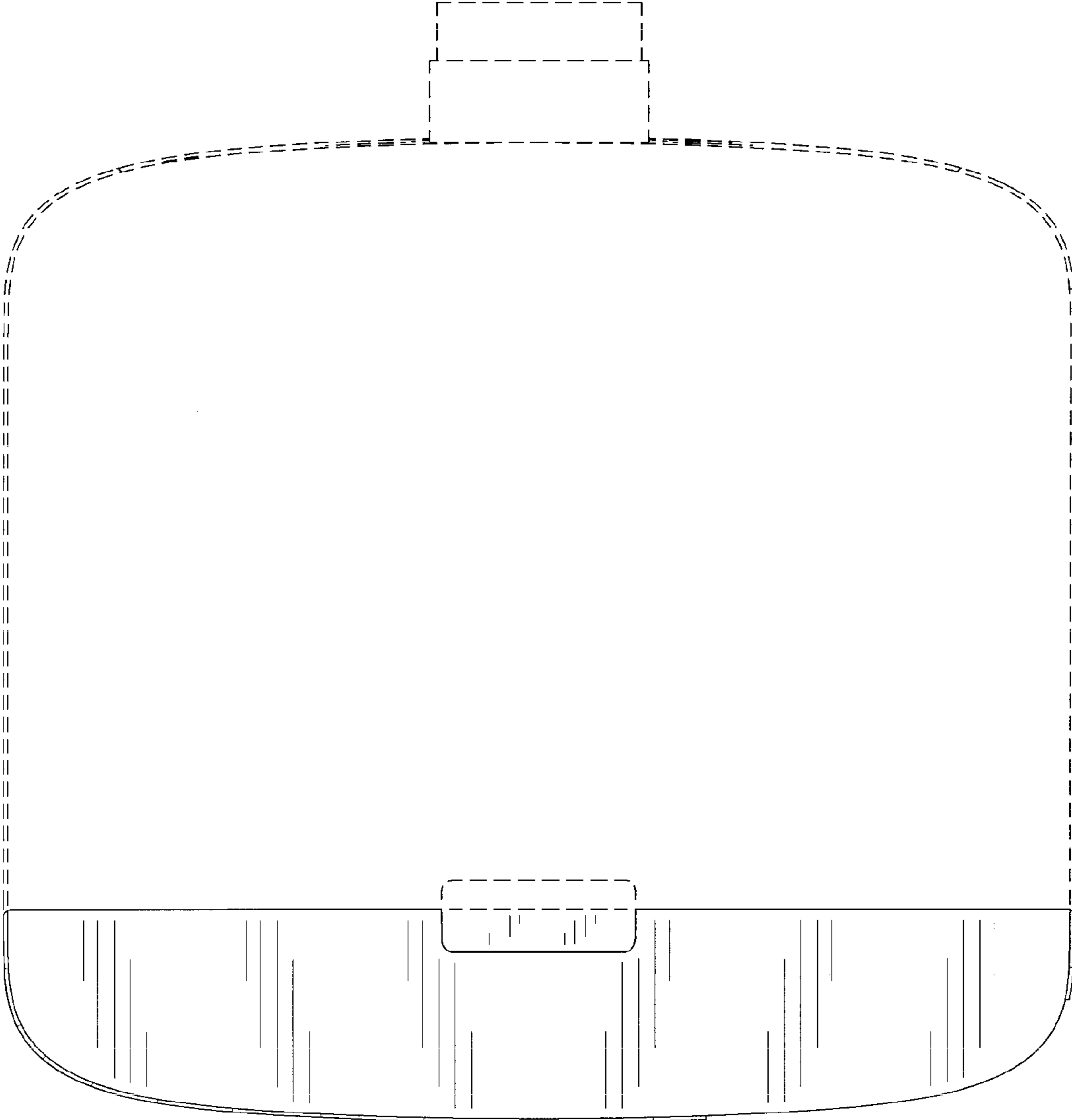


FIG. 6

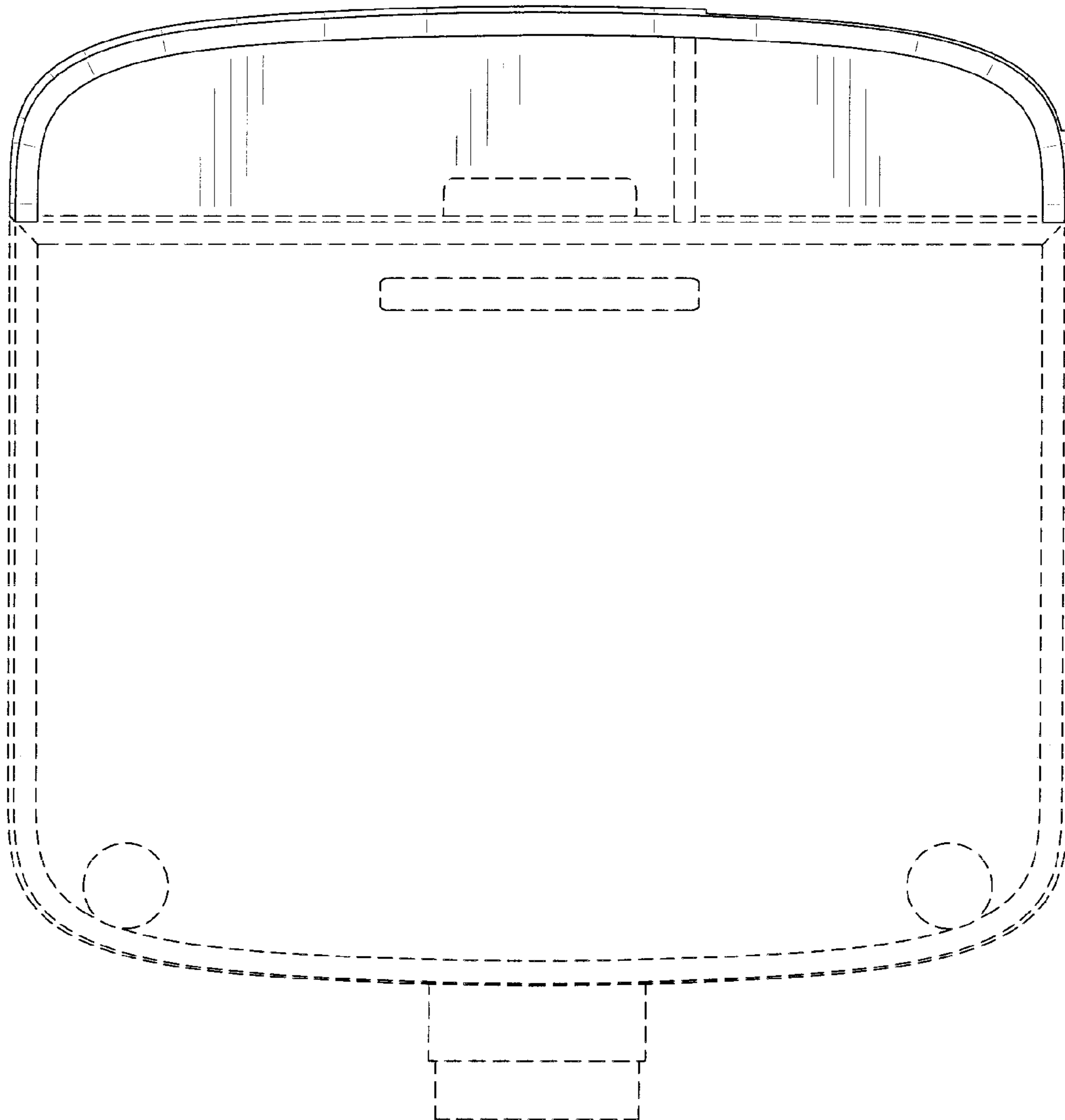


FIG. 7