



US00D667863S

(12) **United States Design Patent**
Yasutomi

(10) **Patent No.:** **US D667,863 S**
(45) **Date of Patent:** **** Sep. 25, 2012**

(54) **CAMERA**

(75) Inventor: **Hiroshi Yasutomi**, Tokyo (JP)

(73) Assignee: **Sony Corporation**, Tokyo (JP)

(**) Term: **14 Years**

(21) Appl. No.: **29/371,318**

(22) Filed: **Dec. 29, 2010**

(30) **Foreign Application Priority Data**

Jun. 29, 2010 (JP) D2010-015918

(51) **LOC (9) Cl.** **16-05**

(52) **U.S. Cl.** **D16/219**

(58) **Field of Classification Search** D16/200,
D16/202, 203, 218, 219; 348/373-376; 358/909.1;
396/535-541

See application file for complete search history.

(56) **References Cited**

U.S. PATENT DOCUMENTS

D416,271 S	11/1999	Ikenaga	
D449,058 S	10/2001	Yamazaki et al.	
D450,073 S	11/2001	Sumita	
D451,115 S	11/2001	Sumita	
D491,596 S *	6/2004	Haga	D16/219
D542,323 S	5/2007	Takagi	

D557,304 S	12/2007	Hayashi	
D566,149 S	4/2008	Sumita	
D577,757 S	9/2008	Sumita	
D591,783 S *	5/2009	Matsuda	D16/219
7,646,426 B2 *	1/2010	Saiki et al.	348/373
D630,663 S *	1/2011	Meguro	D16/219
D640,301 S *	6/2011	Nohara	D16/202

* cited by examiner

Primary Examiner — Adir Aronovich

(74) *Attorney, Agent, or Firm* — Rader, Fishman & Grauer PLLC

(57) **CLAIM**

The ornamental design for a camera, as shown and described.

DESCRIPTION

FIG. 1 is a perspective view of a camera showing my new design;

FIG. 2 is a front elevational view thereof;

FIG. 3 is a rear elevational view thereof;

FIG. 4 is a left side elevational view thereof;

FIG. 5 is a right side elevational view thereof; and,

FIG. 6 is a top plan view thereof.

The portions of the camera in broken lines are shown for illustrative purposes only and form no part of the claimed design.

1 Claim, 5 Drawing Sheets

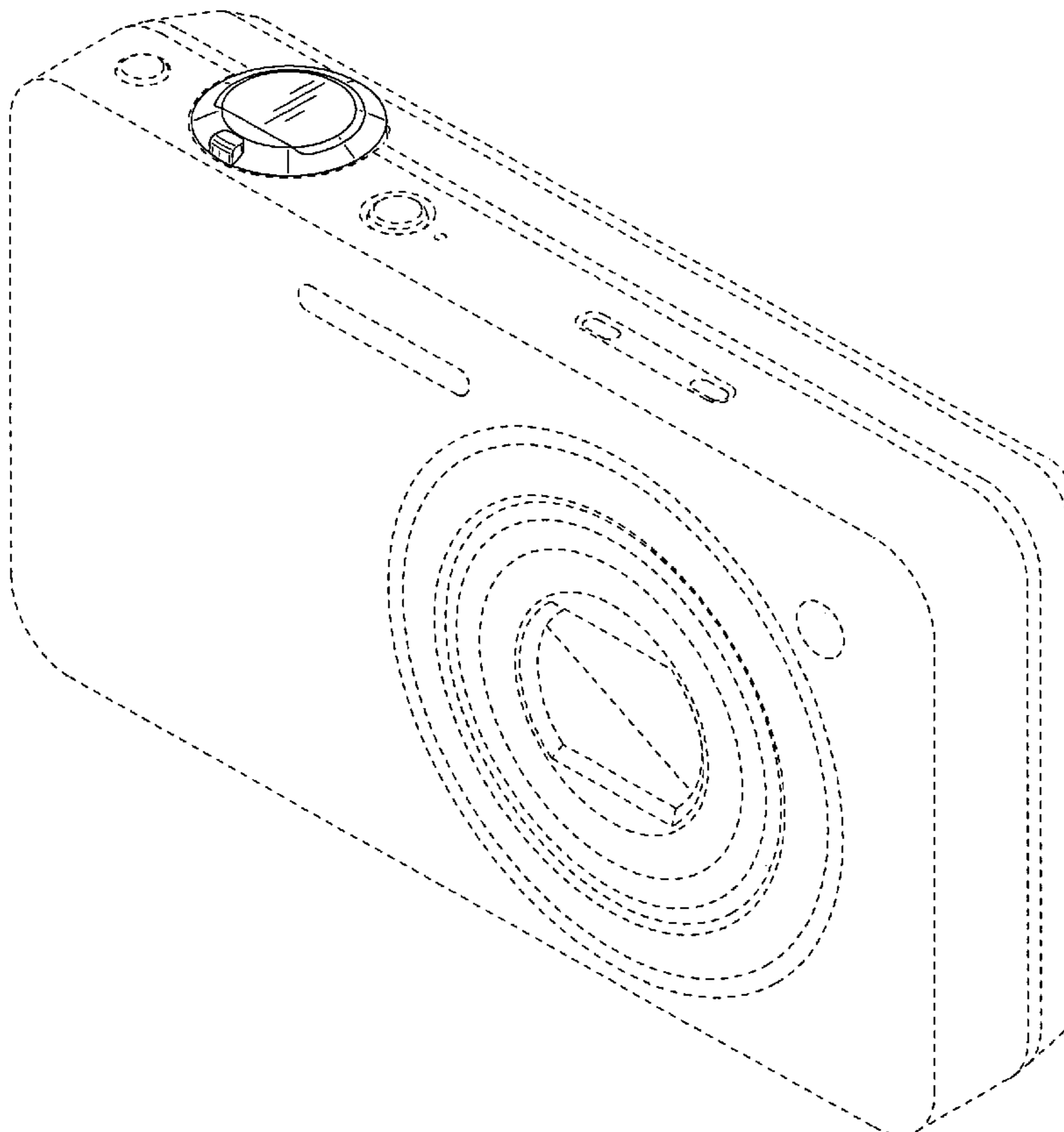


FIG. 1

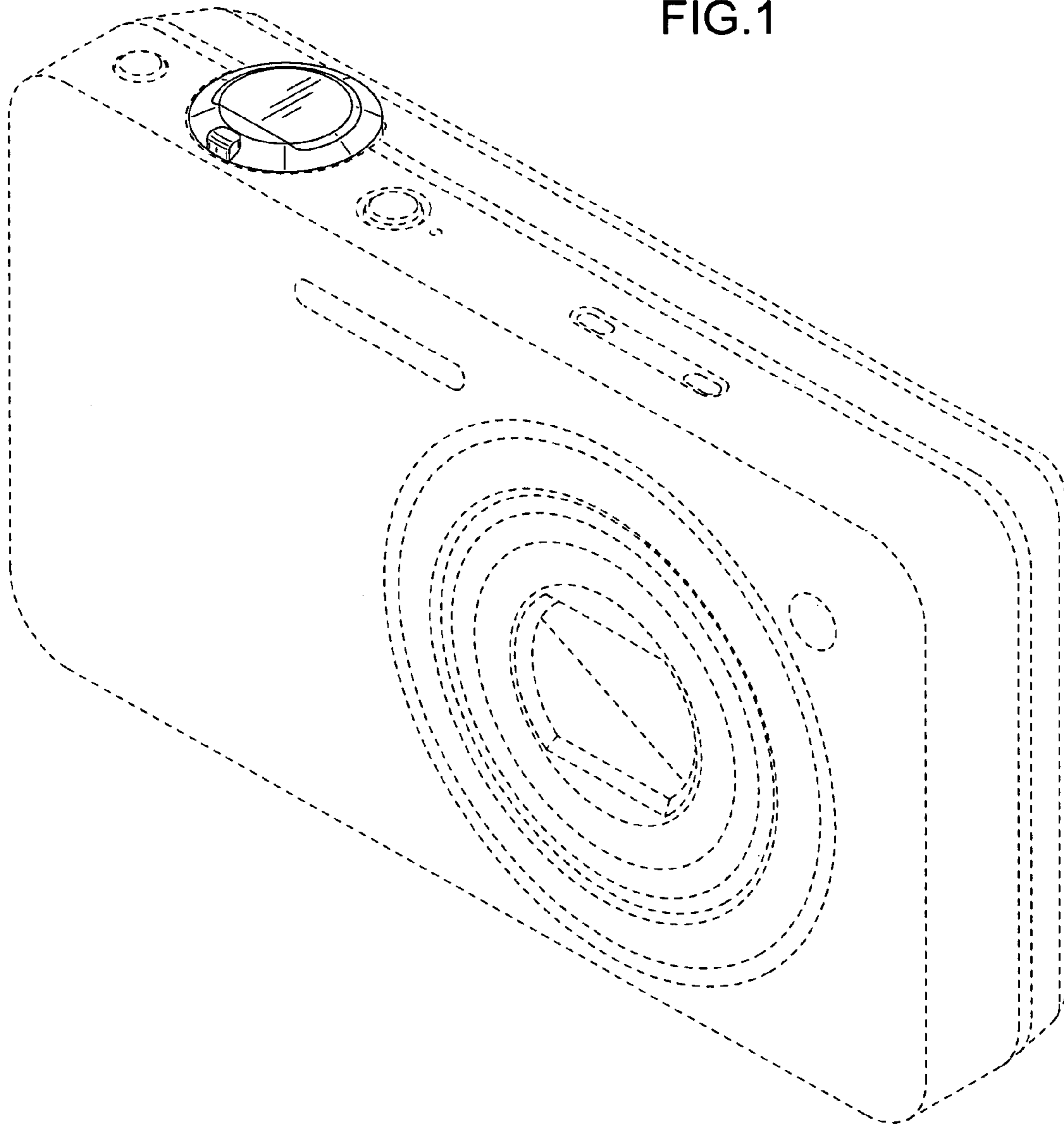


FIG.2

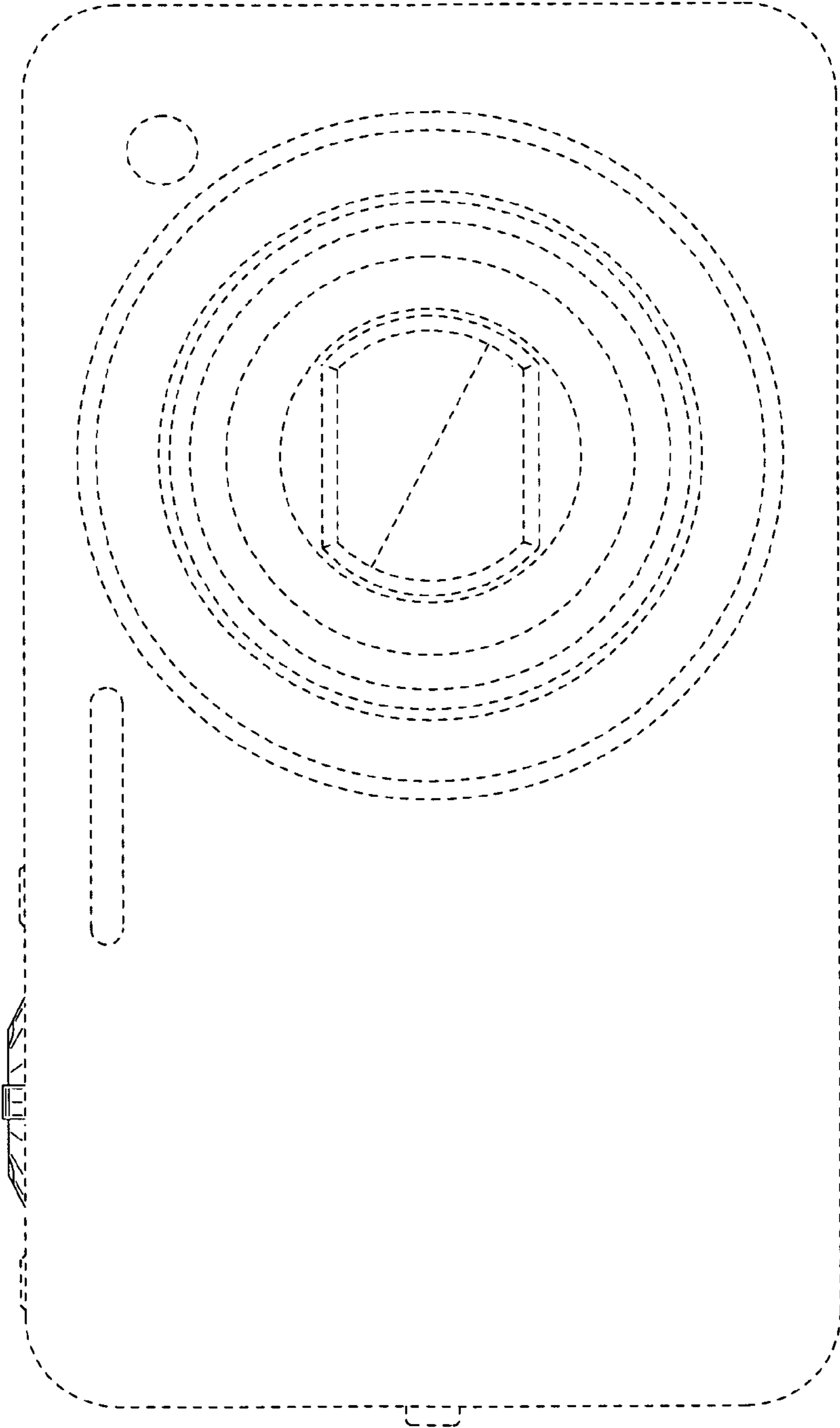


FIG.3

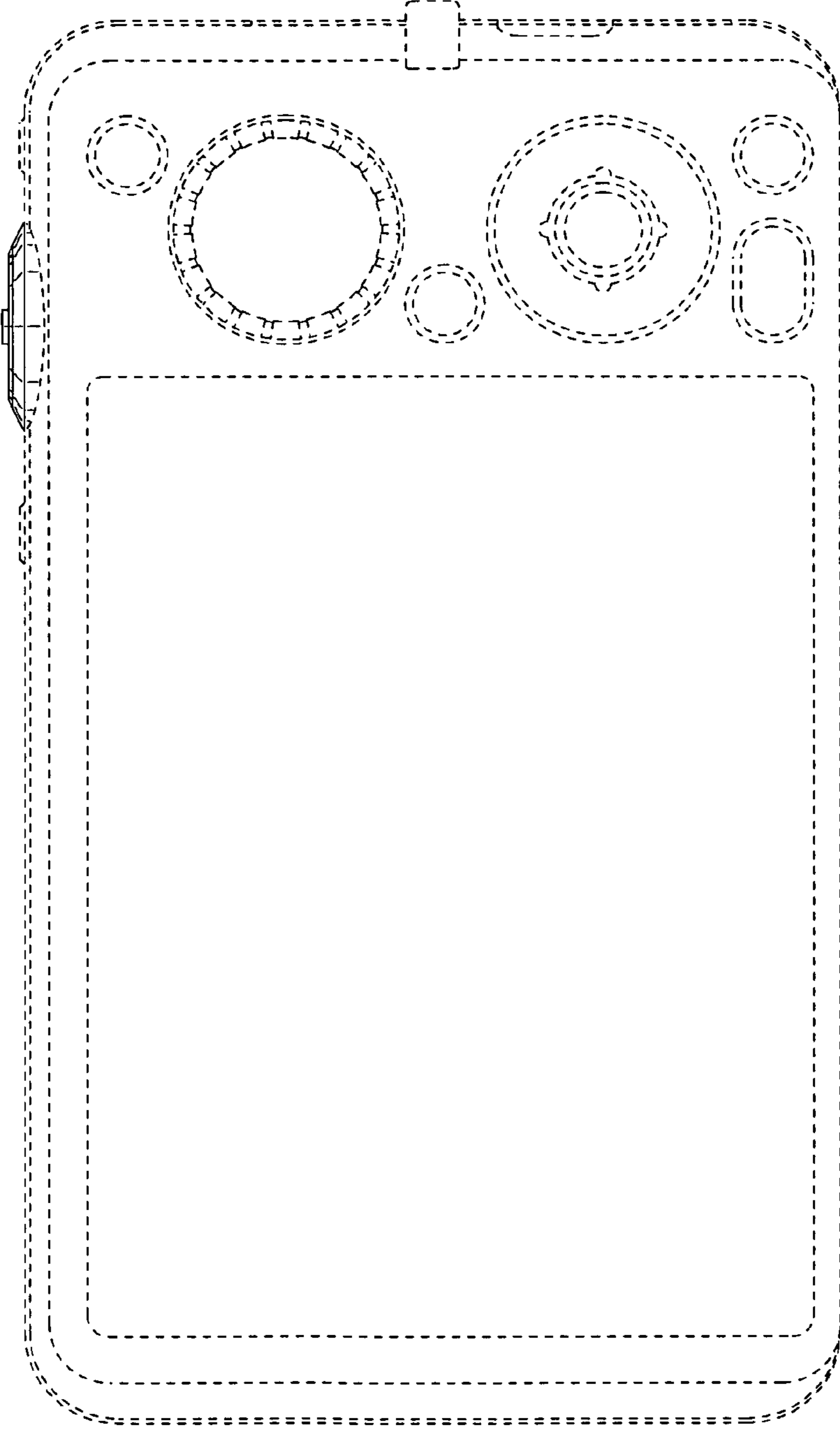


FIG.4

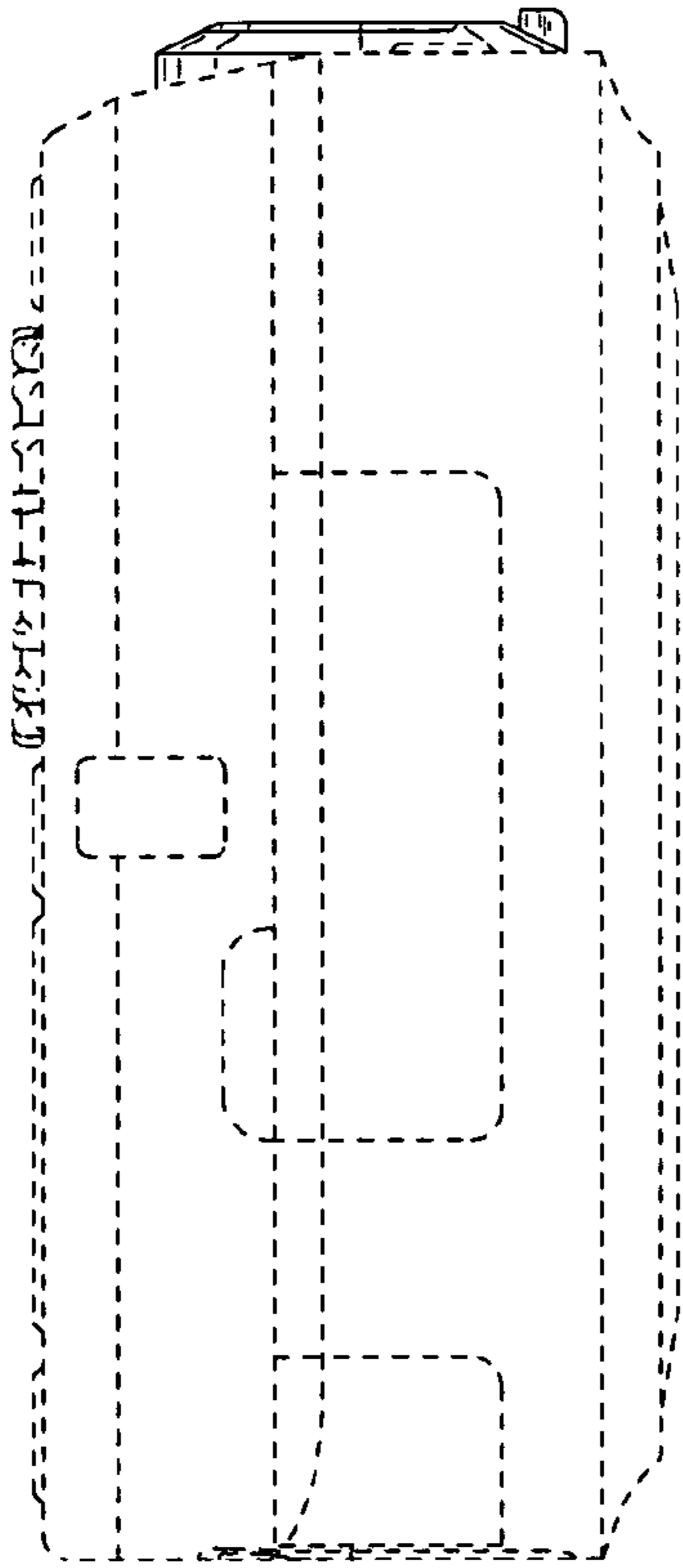


FIG.5

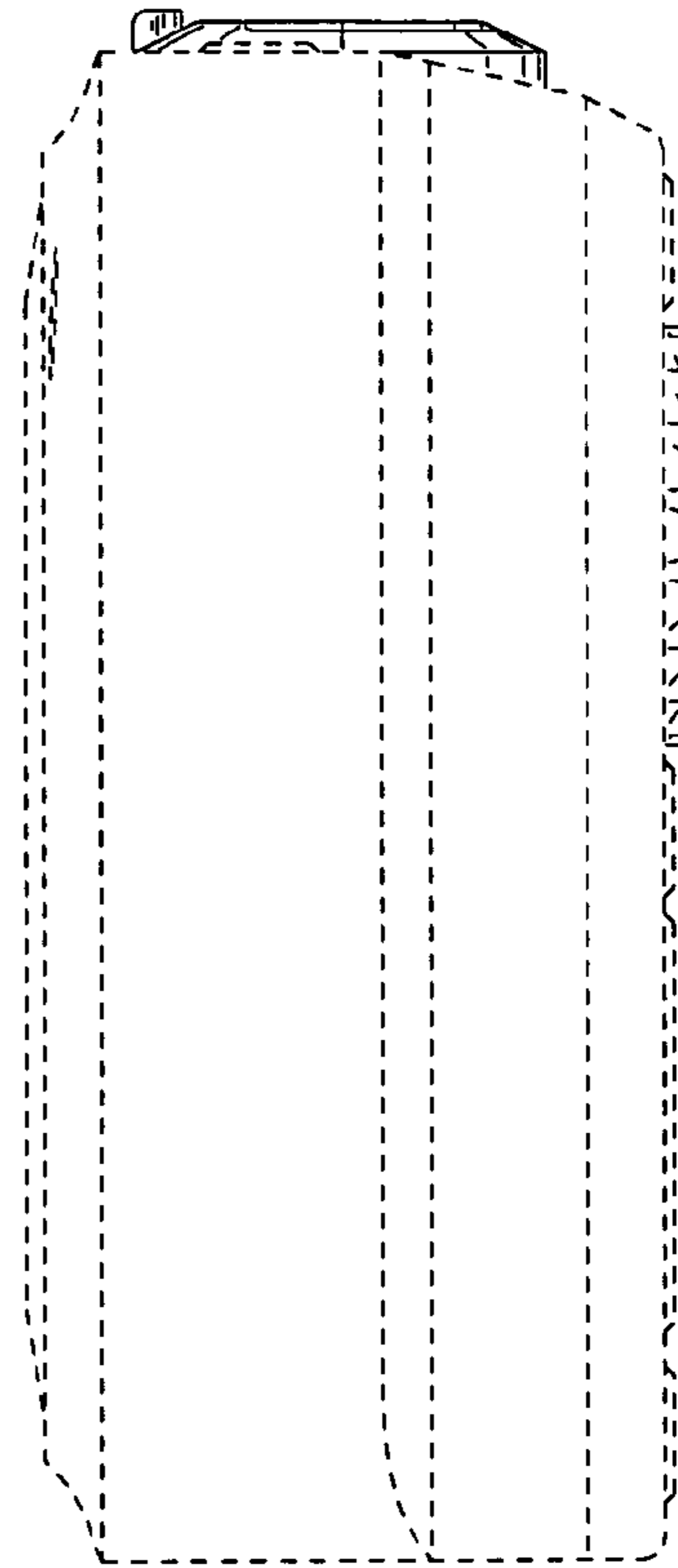


FIG.6

