

US00D667862S

(12) **United States Design Patent**
Sumita et al.

(10) **Patent No.:** **US D667,862 S**

(45) **Date of Patent:** **** Sep. 25, 2012**

(54) **CAMERA**

(75) Inventors: **Kaoru Sumita**, Tokyo (JP); **Daisuke Ishii**, Tokyo (JP); **Noriaki Takagi**, Tokyo (JP); **Junko Katsuraku**, Tokyo (JP)

(73) Assignee: **Sony Corporation**, Tokyo (JP)

(**) **Term:** **14 Years**

(21) **Appl. No.:** **29/371,039**

(22) **Filed:** **Sep. 27, 2010**

Related U.S. Application Data

(63) Continuation of application No. 29/311,816, filed on Jun. 30, 2009, now Pat. No. Des. 625,348, which is a continuation of application No. 29/309,300, filed on Jul. 21, 2008, now abandoned, and a continuation of application No. 29/309,297, filed on Jul. 21, 2008, now abandoned, and a continuation of application No. 29/309,296, filed on Jul. 21, 2008, now abandoned, and a continuation of application No. 29/309,301, filed on Jul. 21, 2008, now abandoned, and a continuation of application No. 29/309,298, filed on Jul. 21, 2008, now abandoned.

(30) **Foreign Application Priority Data**

Jan. 22, 2008 (JP) 2008-001159
Jan. 22, 2008 (JP) 2008-001160
Jan. 22, 2008 (JP) 2008-001161
Jan. 22, 2008 (JP) 2008-001162
Jan. 22, 2008 (JP) 2008-001163

(51) **LOC (9) Cl.** **16-05**

(52) **U.S. Cl.** **D16/219**

(58) **Field of Classification Search** D16/200–204, D16/208, 218, 209, 217, 219; 348/373–376; 358/909.1; 396/535–541, 348, 349
See application file for complete search history.

(56) **References Cited**

U.S. PATENT DOCUMENTS

D302,664 S 8/1989 Dawson, Jr.
D449,631 S * 10/2001 Hayashi D16/218
D455,793 S 4/2002 Lin
D468,717 S 1/2003 Cuvelier
D476,636 S 7/2003 Ota
D485,251 S 1/2004 Lee
D488,796 S 4/2004 Hirano
D494,612 S * 8/2004 Yang et al. D16/202
D516,599 S 3/2006 Nakamura
D518,016 S 3/2006 Hirano
D519,976 S 5/2006 Lee
D535,314 S 1/2007 Chang
7,190,534 B2 * 3/2007 Takahashi 396/349
D546,854 S 7/2007 Hayashi
D547,784 S 7/2007 Shimobayashi

(Continued)

FOREIGN PATENT DOCUMENTS

JP D1321152 S 2/2008

Primary Examiner — Adir Aronovich

(74) *Attorney, Agent, or Firm* — Rader, Fishman & Grauer PLLC

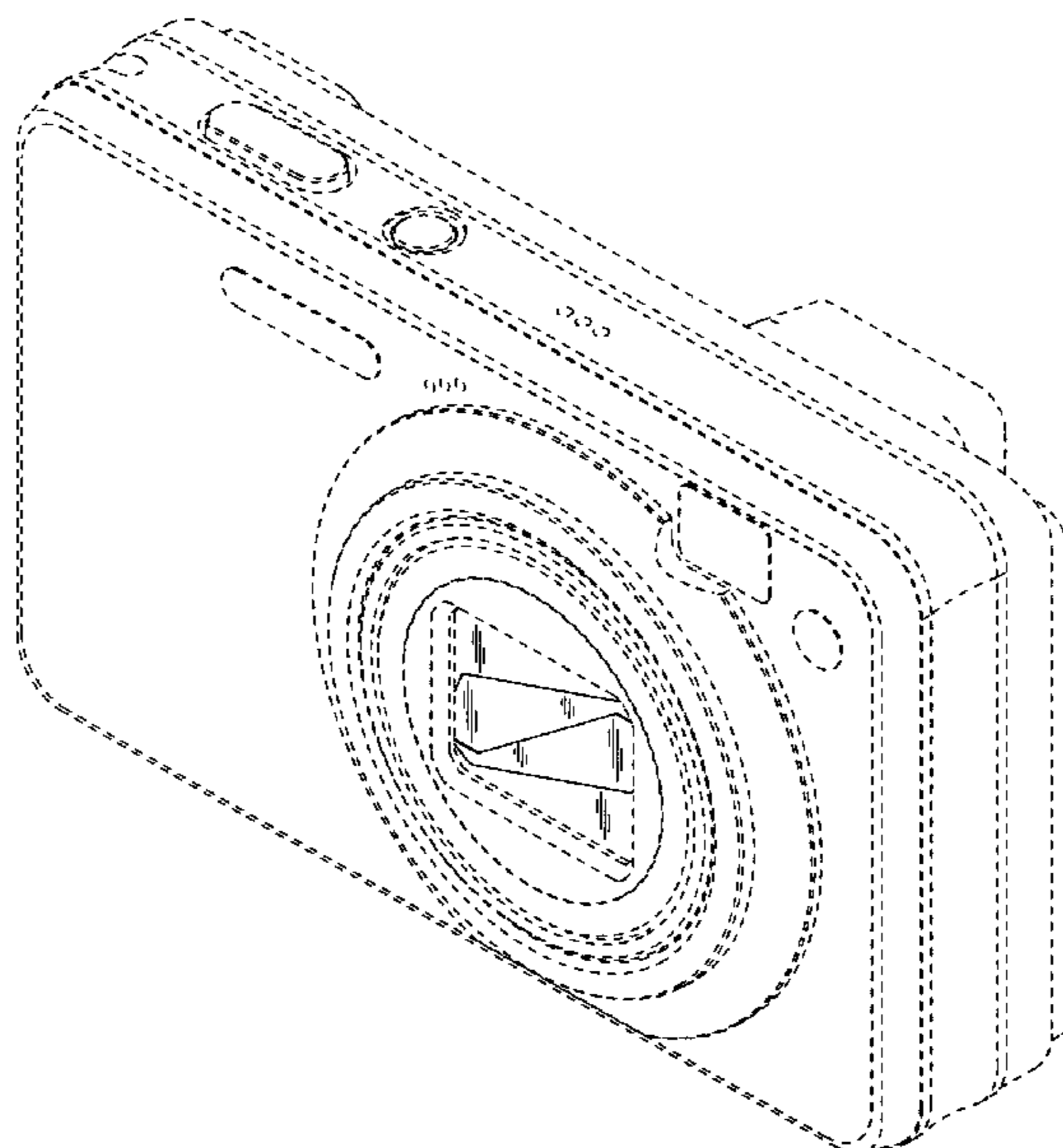
(57) **CLAIM**

The ornamental design for a camera, as shown and described.

DESCRIPTION

FIG. 1 is a perspective view of a camera showing our new design; and, FIG. 2 is a front elevational view thereof. The portions of the camera in broken lines are shown for illustrative purposes only and form no part of the claimed design.

1 Claim, 2 Drawing Sheets



US D667,862 S

Page 2

U.S. PATENT DOCUMENTS									
D556,230	S *	11/2007	Hanafusa et al.	D16/202	D582,954	S	12/2008	Imai	
D558,246	S	12/2007	Hayamizu		D591,781	S	5/2009	Matsuda	
D562,867	S	2/2008	Inaba		D593,143	S	5/2009	Kuroda	
D566,149	S *	4/2008	Sumita	D16/202	D596,213	S *	7/2009	Hwang	D16/202
D566,740	S	4/2008	Nohara		D596,214	S *	7/2009	Kim et al.	D16/218
D568,357	S	5/2008	Shimobayashi		D601,603	S	10/2009	Jang et al.	
D570,890	S *	6/2008	Yoneya et al.	D16/202	D610,180	S *	2/2010	Tainaka	D16/202
D571,845	S	6/2008	Shimobayashi		7,978,424	B2 *	7/2011	Nomura	359/817
D577,755	S	9/2008	Fujii		2006/0139457	A1	6/2006	Liao	
D577,757	S	9/2008	Sumita		2007/0212062	A1	9/2007	Saiki et al.	
7,448,811	B2 *	11/2008	Nagae	396/348					

* cited by examiner

FIG.1

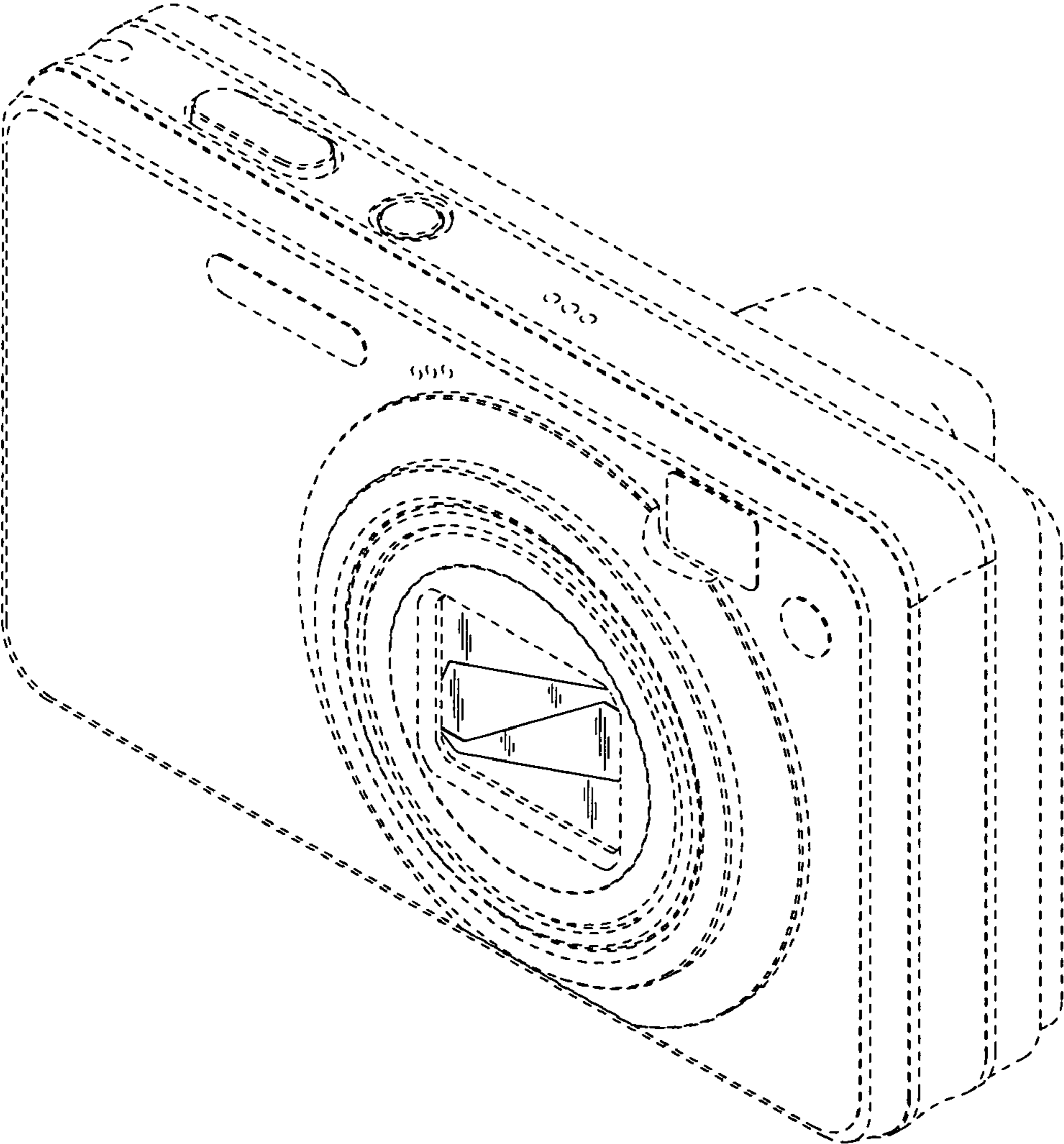


FIG.2

