



US00D667860S

(12) **United States Design Patent**
Lee et al.

(10) **Patent No.:** **US D667,860 S**
(45) **Date of Patent:** **** Sep. 25, 2012**

(54) **SURVEILLANCE CAMERA**
(75) Inventors: **Myungwhoon Lee**, Seoul (KR);
Yoonkyeong Lee, Seoul (KR)
(73) Assignee: **LG Electronics Inc.**, Seoul (KR)
(**) Term: **14 Years**
(21) Appl. No.: **29/401,669**
(22) Filed: **Sep. 14, 2011**

6,643,456 B1 * 11/2003 Ryan et al. 348/143
6,735,382 B2 * 5/2004 Schneider 396/427
D568,361 S * 5/2008 Arnold et al. D16/202
D639,328 S * 6/2011 Zeinoun et al. D16/203
D639,843 S * 6/2011 Zeinoun et al. D16/203
2002/0140850 A1 * 10/2002 Toste et al. 348/375
* cited by examiner

(30) **Foreign Application Priority Data**
Apr. 18, 2011 (KR) 30-2011-0015735
(51) **LOC (9) Cl.** **16-01**
(52) **U.S. Cl.** **D16/203**
(58) **Field of Classification Search** D16/200–204,
D16/218; 348/143, 151, 373–376; 396/427,
396/535–541
See application file for complete search history.

Primary Examiner — Adir Aronovich
(74) *Attorney, Agent, or Firm* — Morgan, Lewis & Bockius
LLP

(57) **CLAIM**
The ornamental design for a surveillance camera, as shown
and described.

(56) **References Cited**
U.S. PATENT DOCUMENTS
6,061,087 A * 5/2000 Schieltz et al. 348/373
D473,887 S * 4/2003 Jones et al. D16/203

DESCRIPTION

FIG. 1 is a front, right side, perspective view of a surveillance camera showing our new design;
FIG. 2 is a front elevational view thereof;
FIG. 3 is a rear elevational view thereof;
FIG. 4 is a left side elevational view thereof;
FIG. 5 is a right side elevational view thereof;
FIG. 6 is a top plan view thereof; and,
FIG. 7 is a bottom plan view thereof.

1 Claim, 6 Drawing Sheets

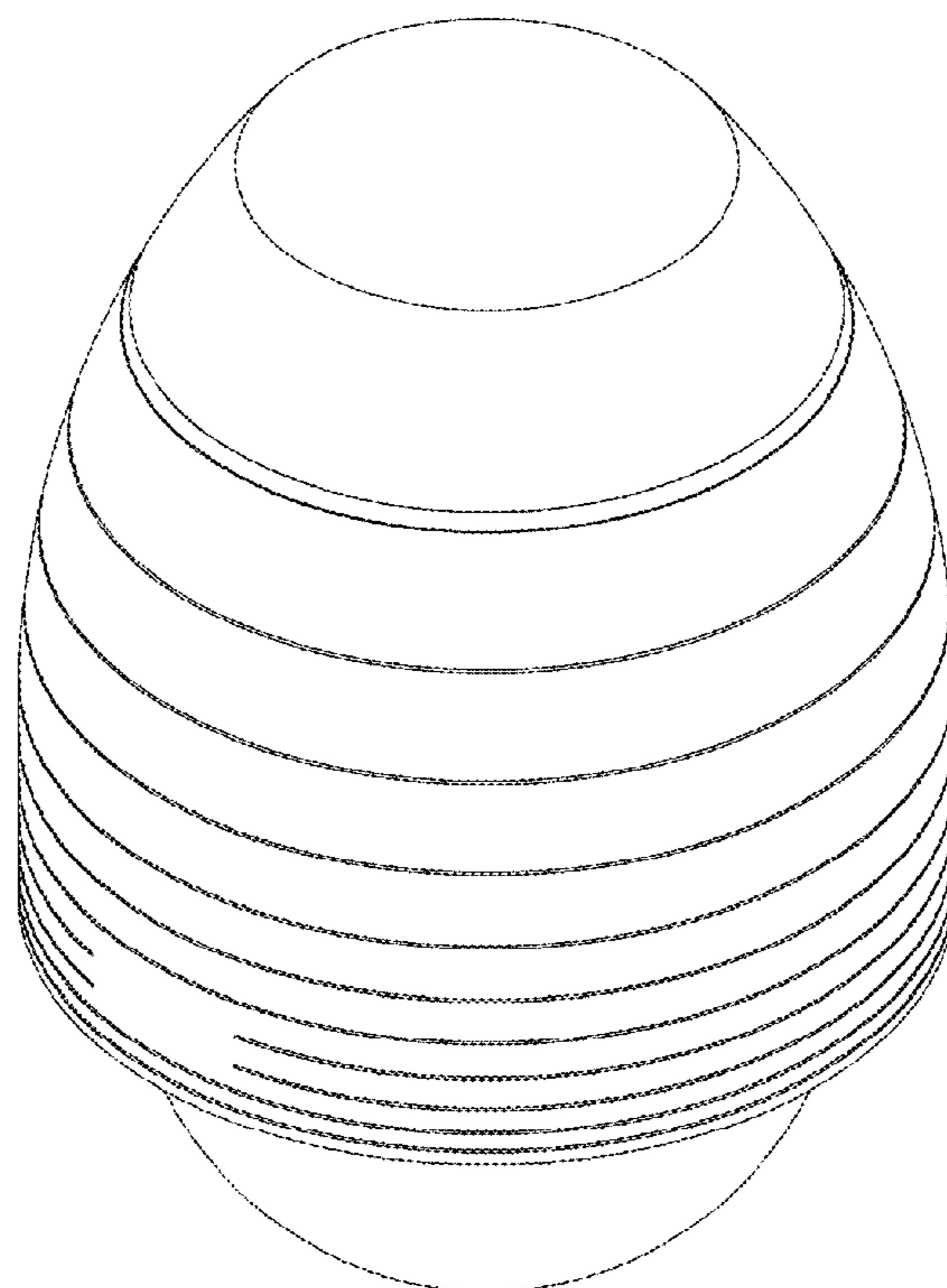


FIG. 1

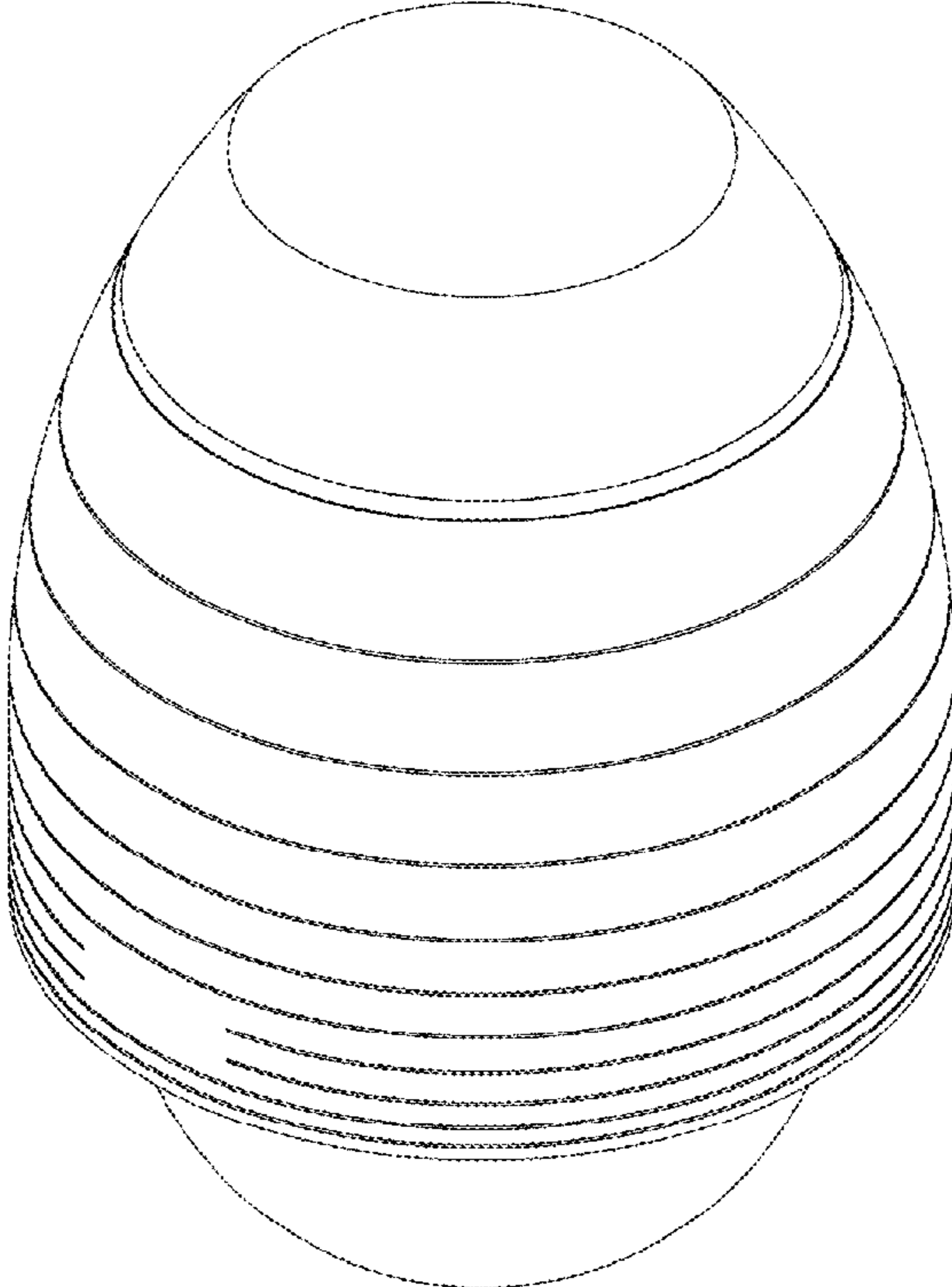


FIG. 2

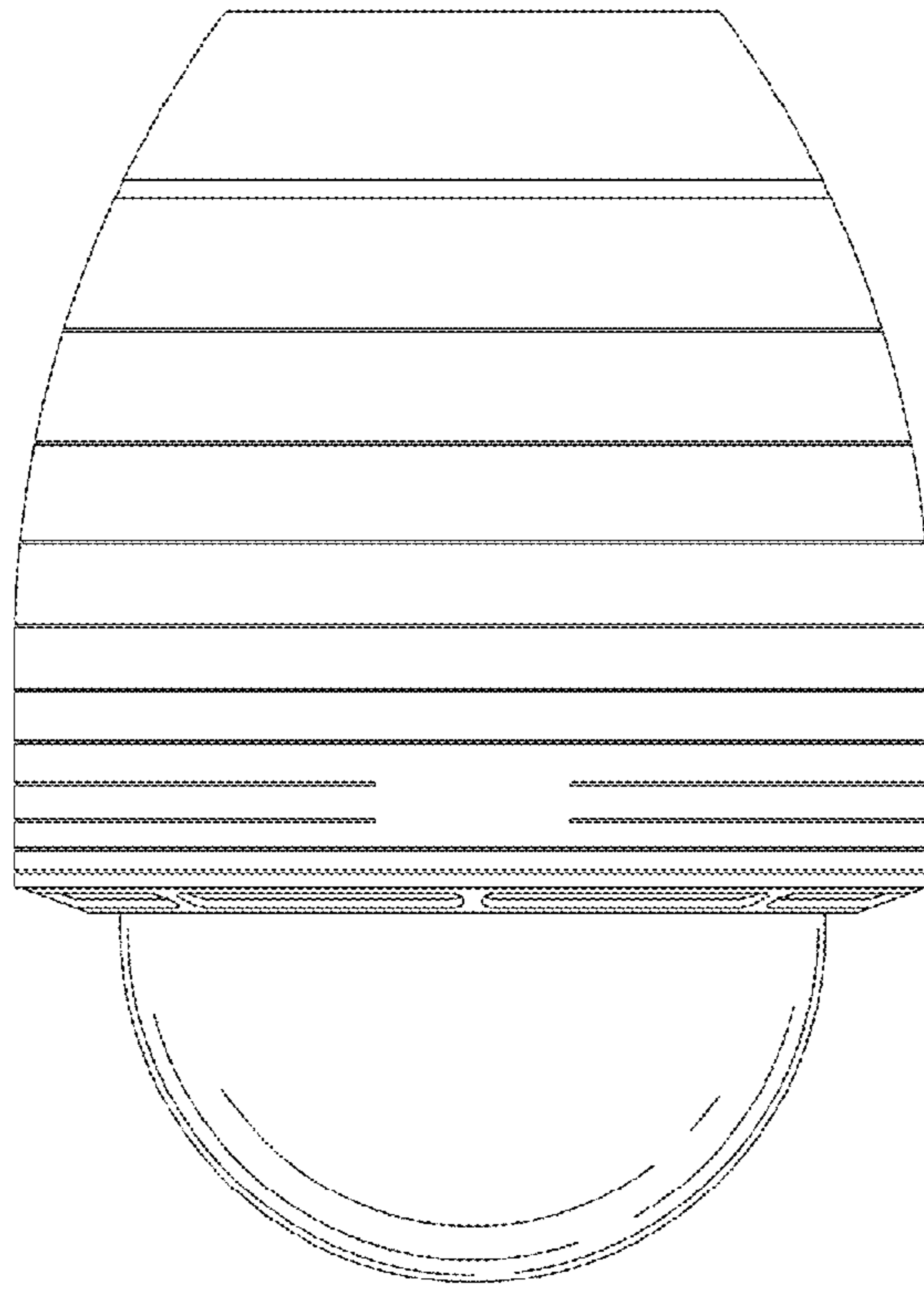


FIG. 3

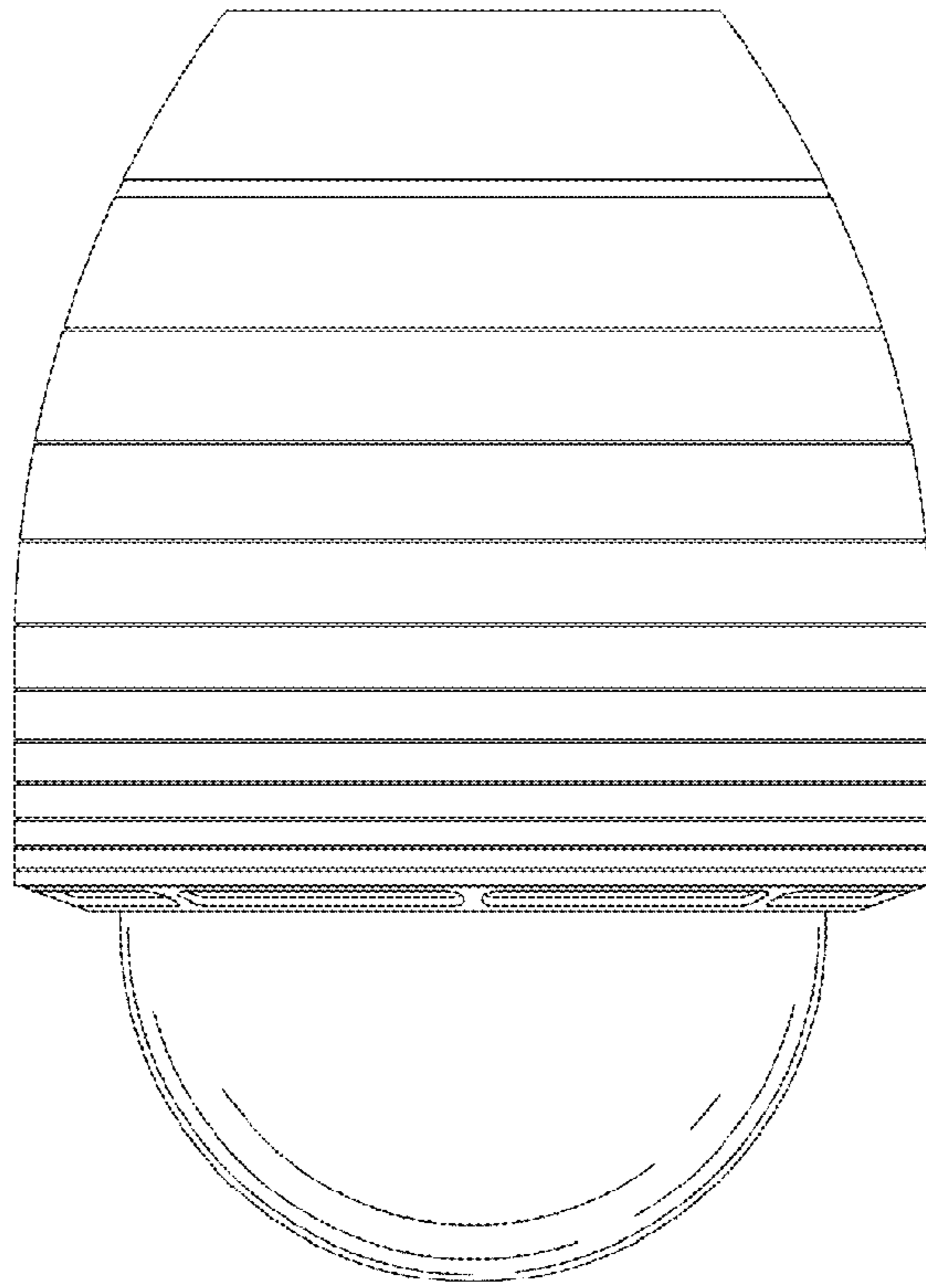


FIG. 4

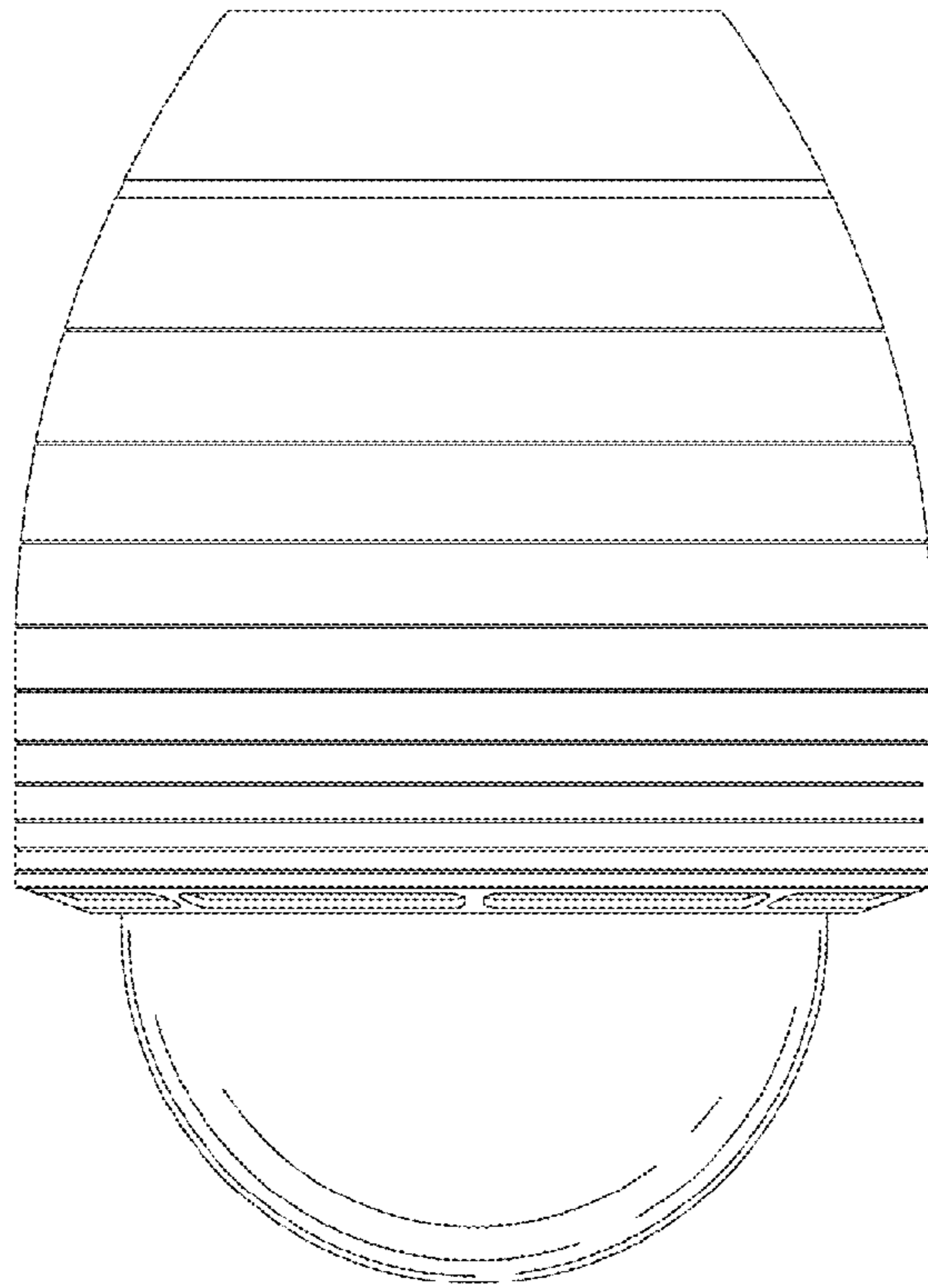


FIG. 5

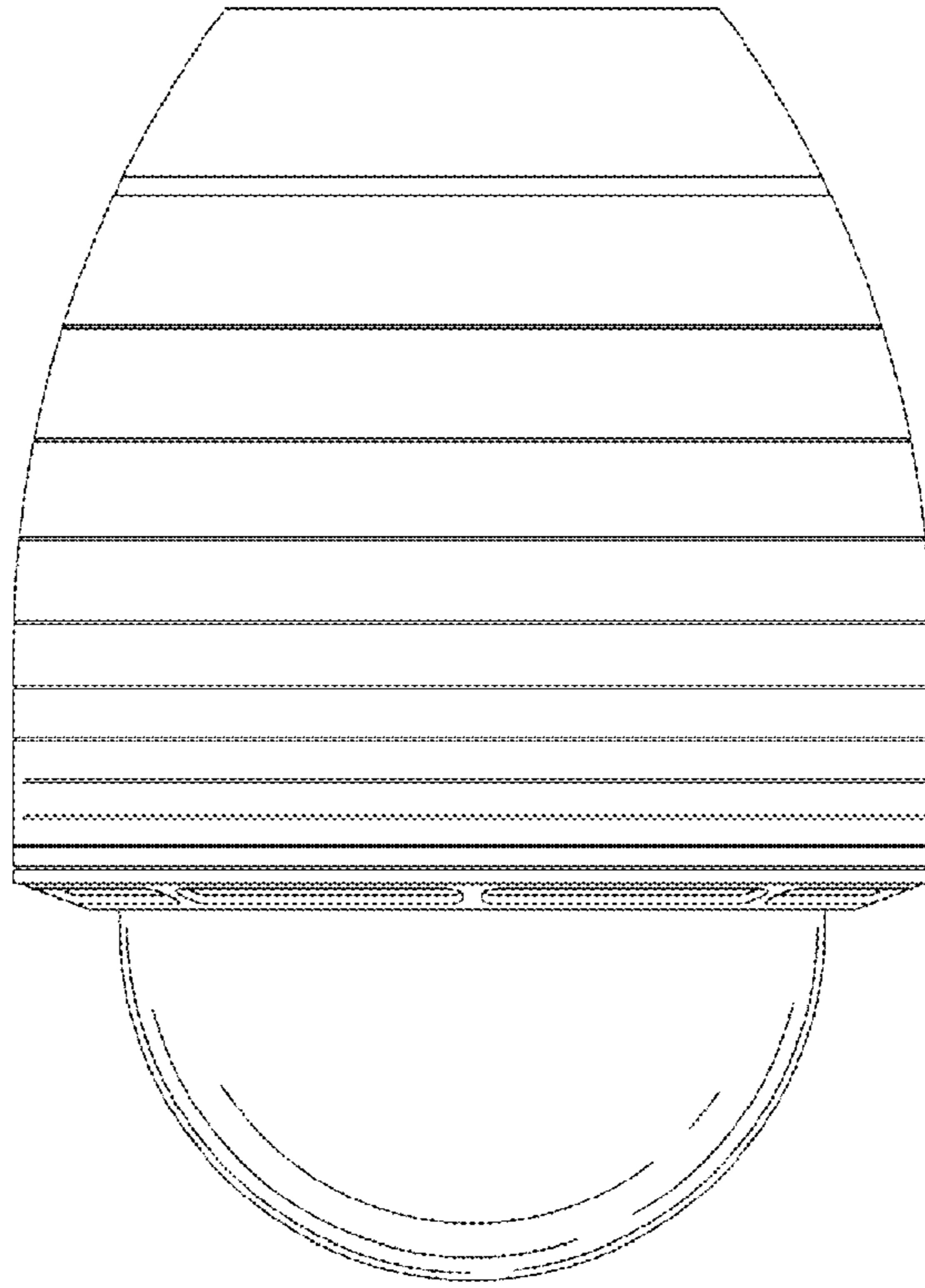


FIG. 6

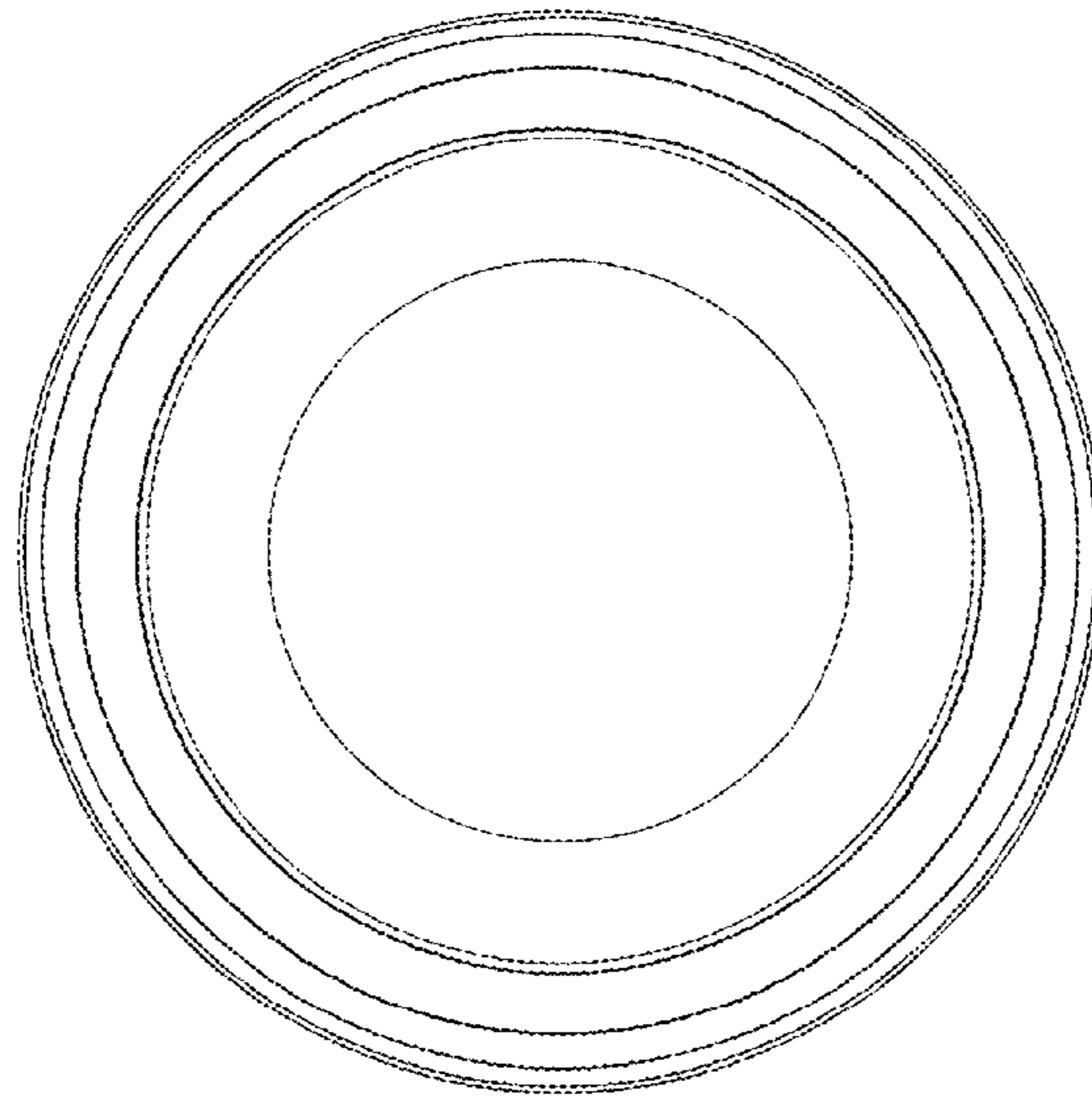


FIG. 7

