

US00D667859S

(12) **United States Design Patent**
Chen et al.

(10) **Patent No.:** **US D667,859 S**
(45) **Date of Patent:** **** Sep. 25, 2012**

(54) **OPTICAL LENS**

(75) Inventors: **Chin-Chung Chen**, New Taipei (TW);
Sheng-Jie Qiao, Shenzhen (CN)

(73) Assignee: **Foxconn Technology Co., Ltd.**,
Tu-Cheng, New Taipei (TW)

(**) Term: **14 Years**

(21) Appl. No.: **29/396,326**

(22) Filed: **Jun. 29, 2011**

(51) **LOC (9) Cl.** **16-06**

(52) **U.S. Cl.** **D16/135**

(58) **Field of Classification Search** D16/130,
D16/134, 135, 136, 137, 101, 306; D24/124,
D24/128; 362/305, 334, 327, 294, 311.02;
359/808, 813, 814, 837, 718, 719, 819, 827;
273/148 R

See application file for complete search history.

(56) **References Cited**

U.S. PATENT DOCUMENTS

1,158,102	A *	10/1915	Bolde	65/38
2,151,573	A *	3/1939	Stanley	359/710
2,166,988	A *	7/1939	Fosdick	359/711
2,442,564	A *	6/1948	Heyer	359/506
2,586,581	A *	2/1952	Tschischeck	359/442
D191,851	S *	11/1961	Lazor	D16/135
3,751,138	A *	8/1973	Humphrey	359/669
D268,653	S *	4/1983	Sun	D11/121
5,680,260	A *	10/1997	Farcella et al.	359/819
6,483,651	B1 *	11/2002	Maurer	359/819
D483,511	S *	12/2003	Lay et al.	D26/80

D489,383	S *	5/2004	Overholser	D16/101
D569,030	S *	5/2008	Lee	D26/85
D611,080	S *	3/2010	Chen et al.	D16/101
D619,633	S *	7/2010	Chen et al.	D16/135
D619,756	S *	7/2010	Lai et al.	D26/124
D623,212	S *	9/2010	Chen et al.	D16/135
D631,075	S *	1/2011	Liu et al.	D16/134
D631,076	S *	1/2011	Liu et al.	D16/134
7,988,338	B2 *	8/2011	Zhou	362/311.02
D649,283	S *	11/2011	Wegscheider	D26/154

* cited by examiner

Primary Examiner — Paula Greene

(74) *Attorney, Agent, or Firm* — Altis Law Group, Inc.

(57) **CLAIM**

The ornamental design for an optical lens, as shown and described.

DESCRIPTION

FIG. 1 is a perspective view of an optical lens showing our new design.

FIG. 2 is a front elevational view thereof.

FIG. 3 is a rear elevational view thereof.

FIG. 4 is a left-side elevational view thereof.

FIG. 5 is a right-side elevational view thereof.

FIG. 6 is a top plan view thereof.

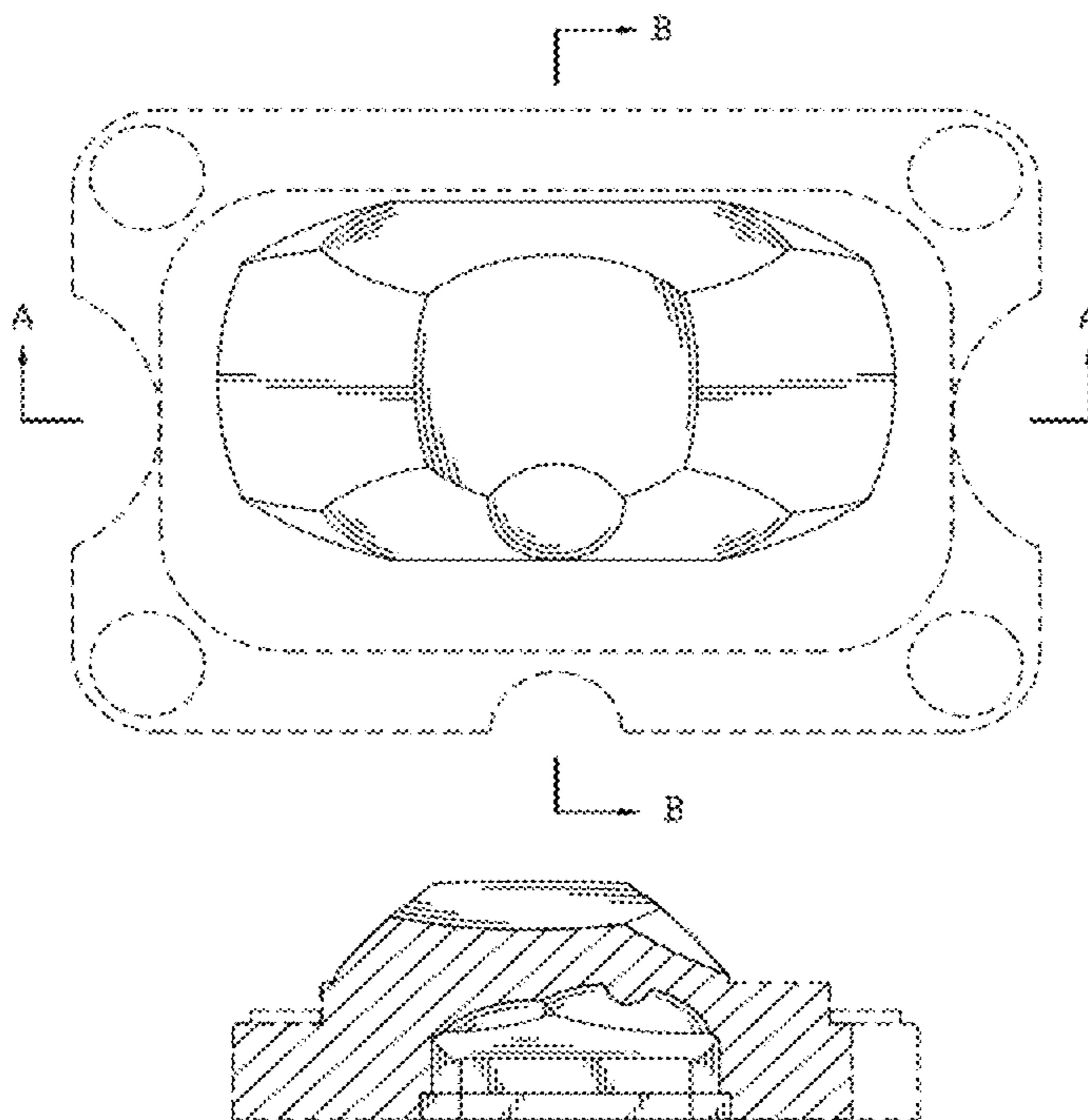
FIG. 7 is a bottom plan view thereof.

FIG. 8 is a cross sectional view of the optical lens taken along line A-A of FIG. 6; and,

FIG. 9 is a cross sectional view of the optical lens taken along line B-B of FIG. 6.

The portions of the optical lens shown in broken lines are for illustrative purpose only and form no part of the claimed design.

1 Claim, 9 Drawing Sheets



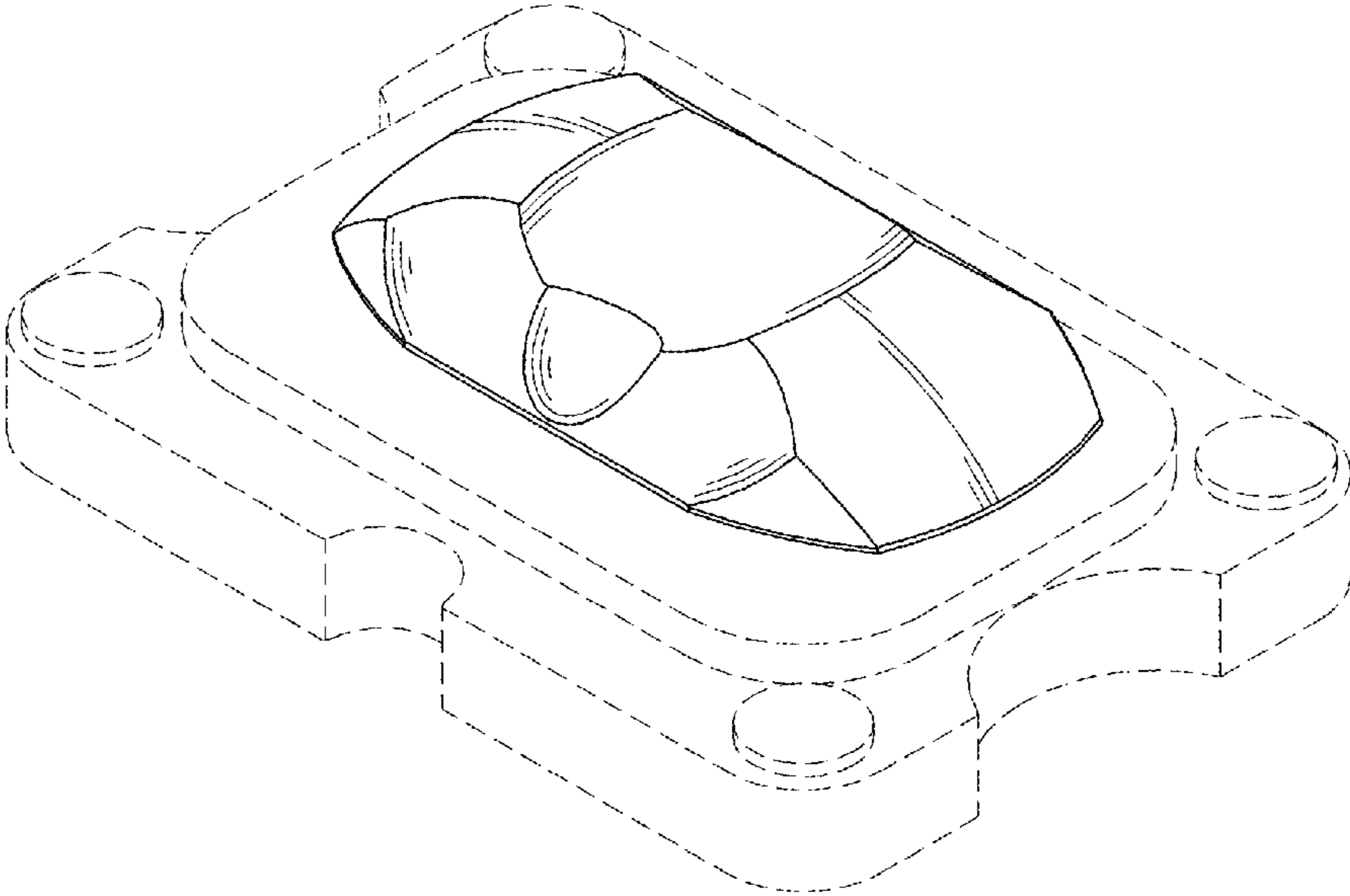


FIG. 1

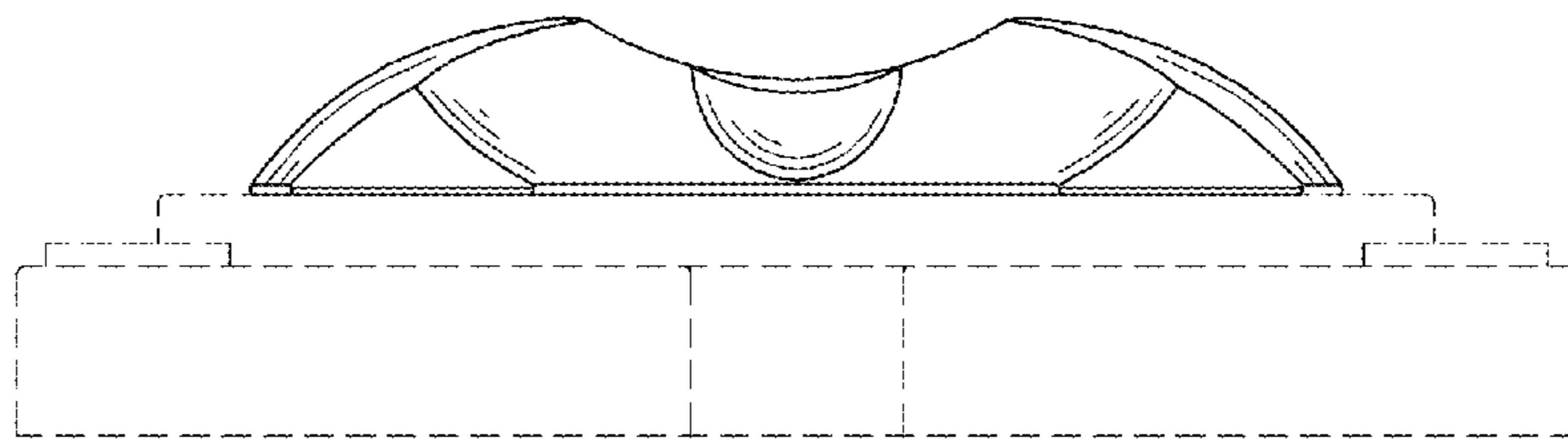


FIG. 2

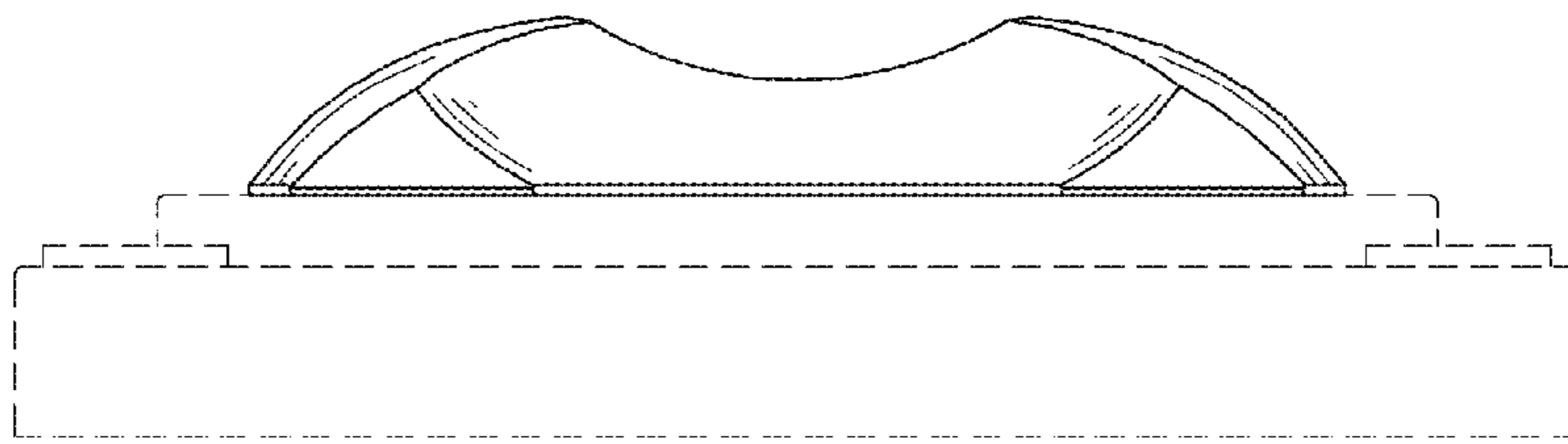


FIG. 3

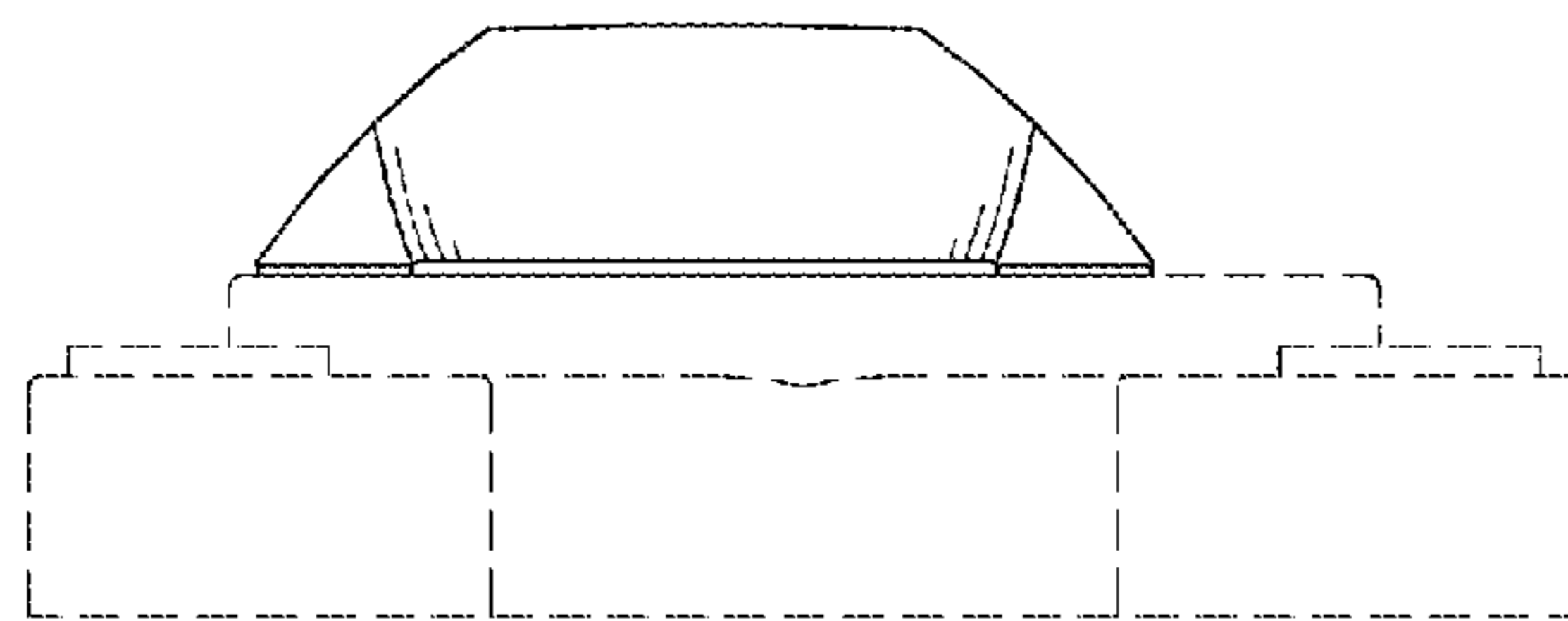


FIG. 4

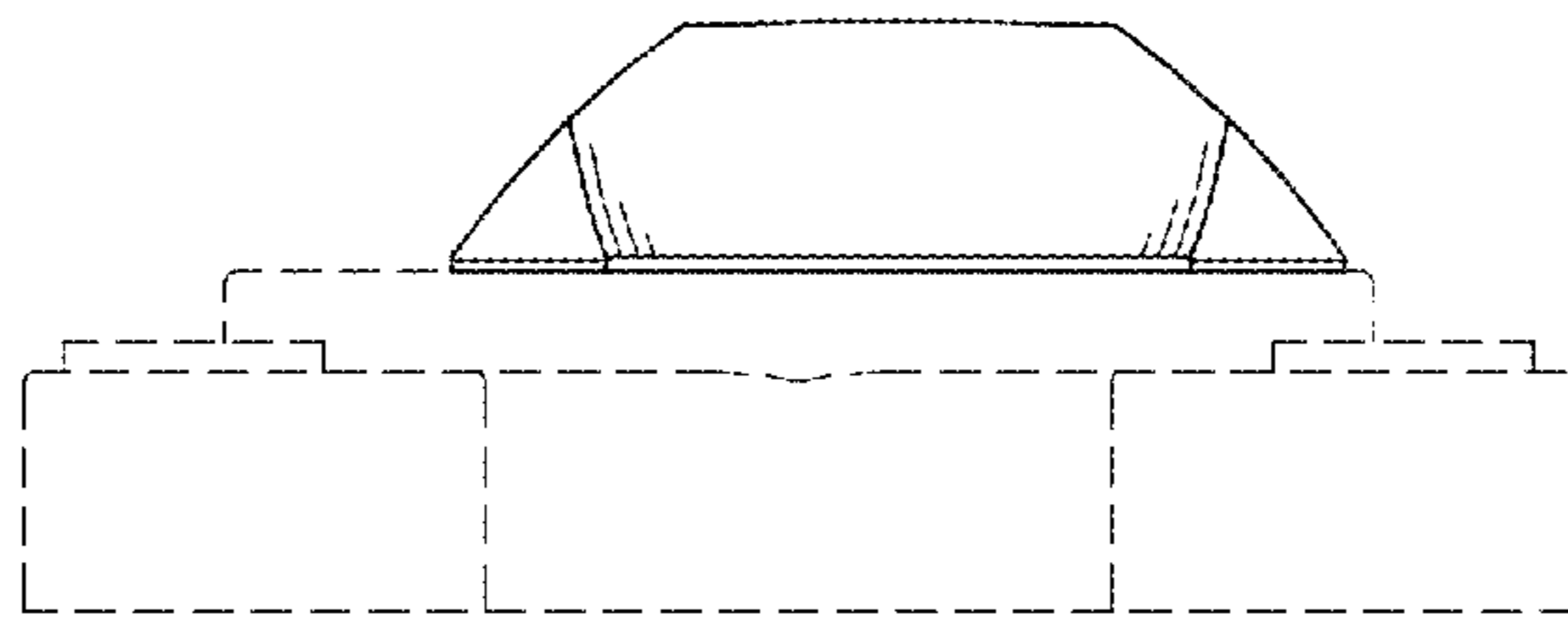


FIG. 5

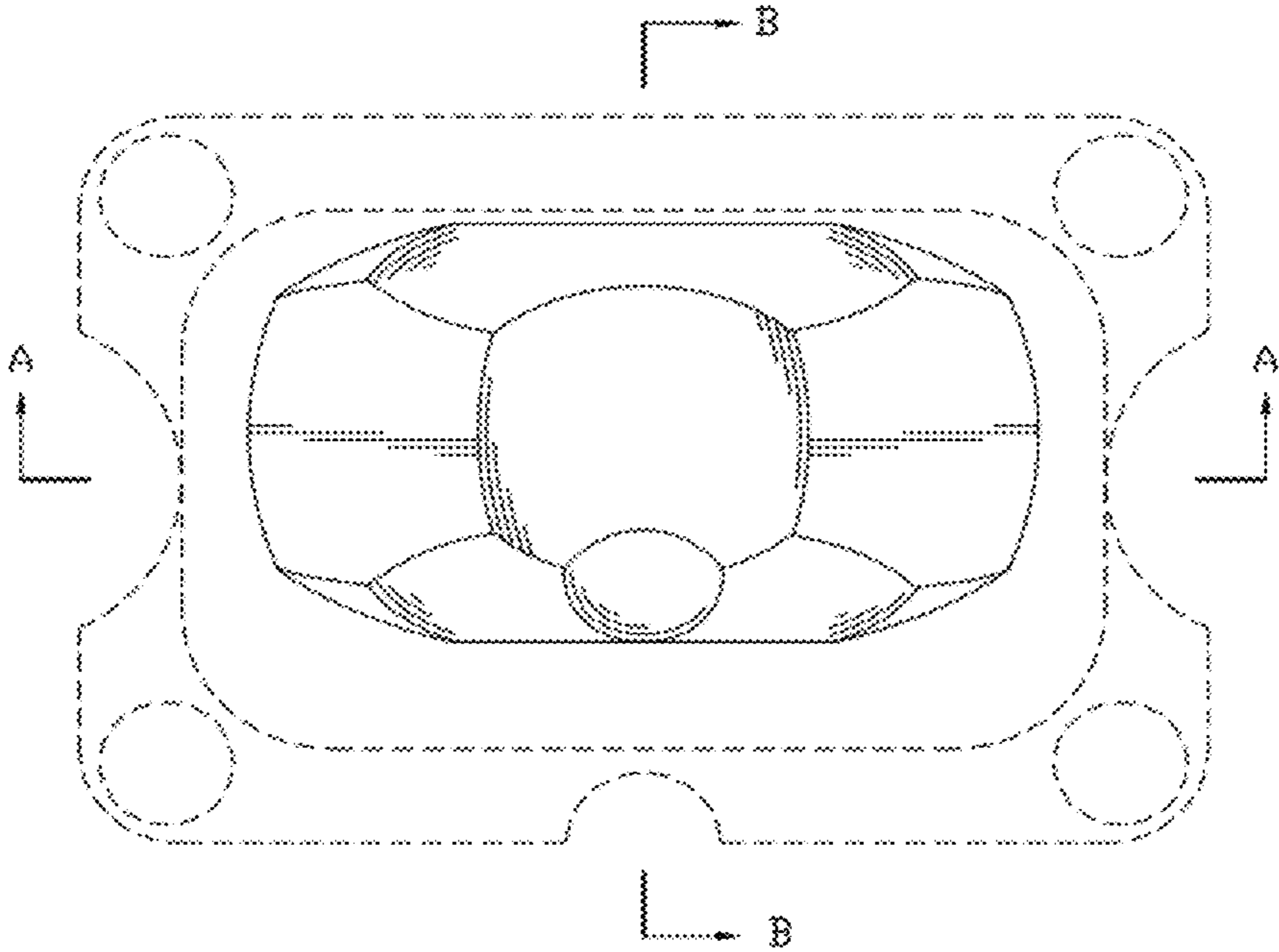


FIG. 6

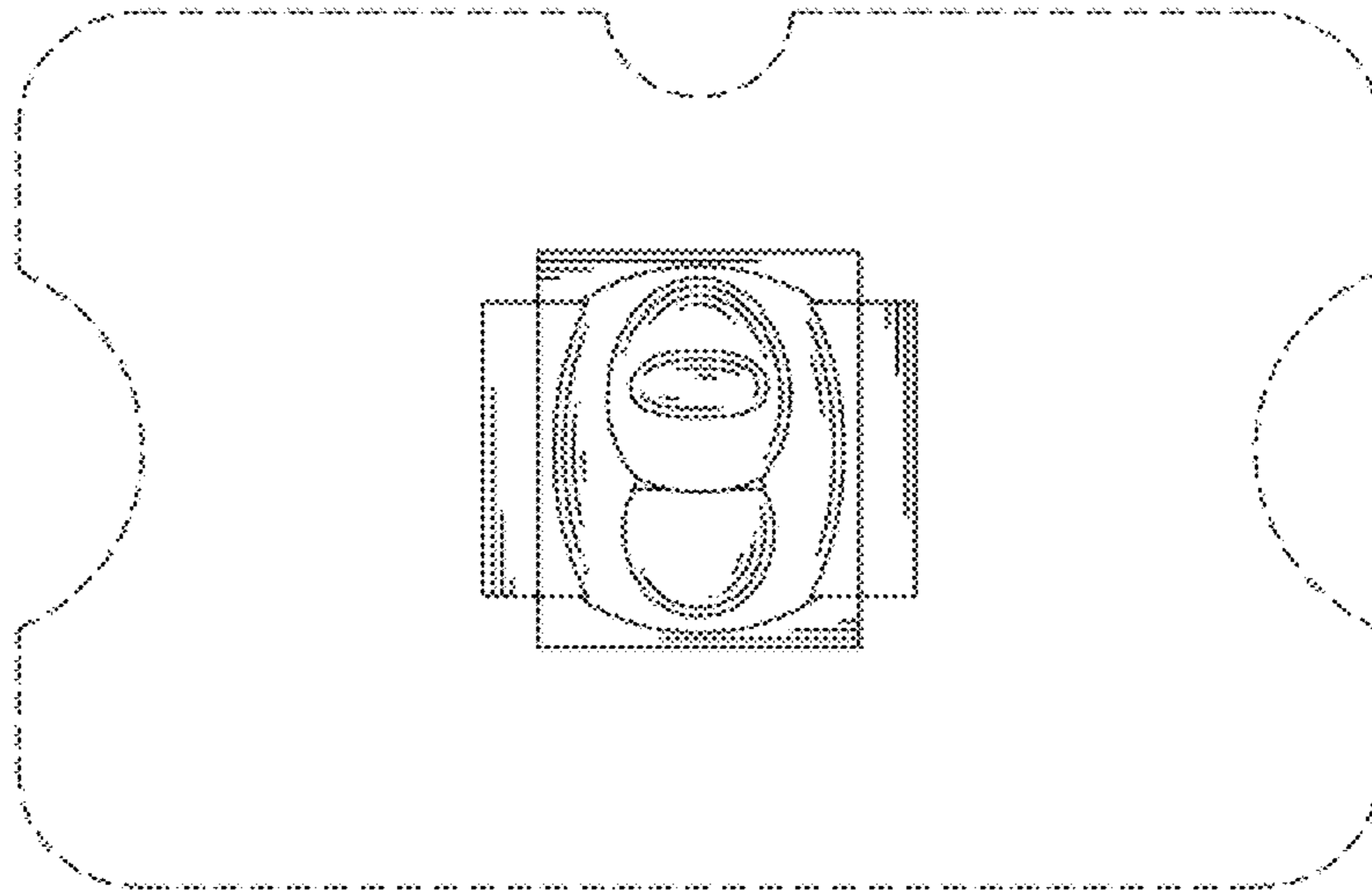


FIG. 7

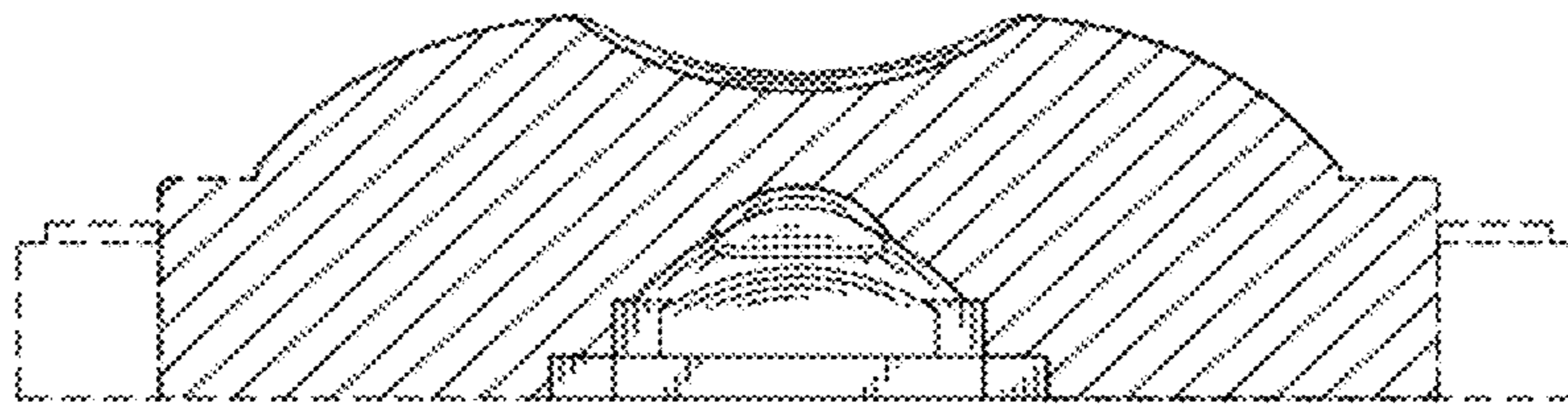


FIG. 8

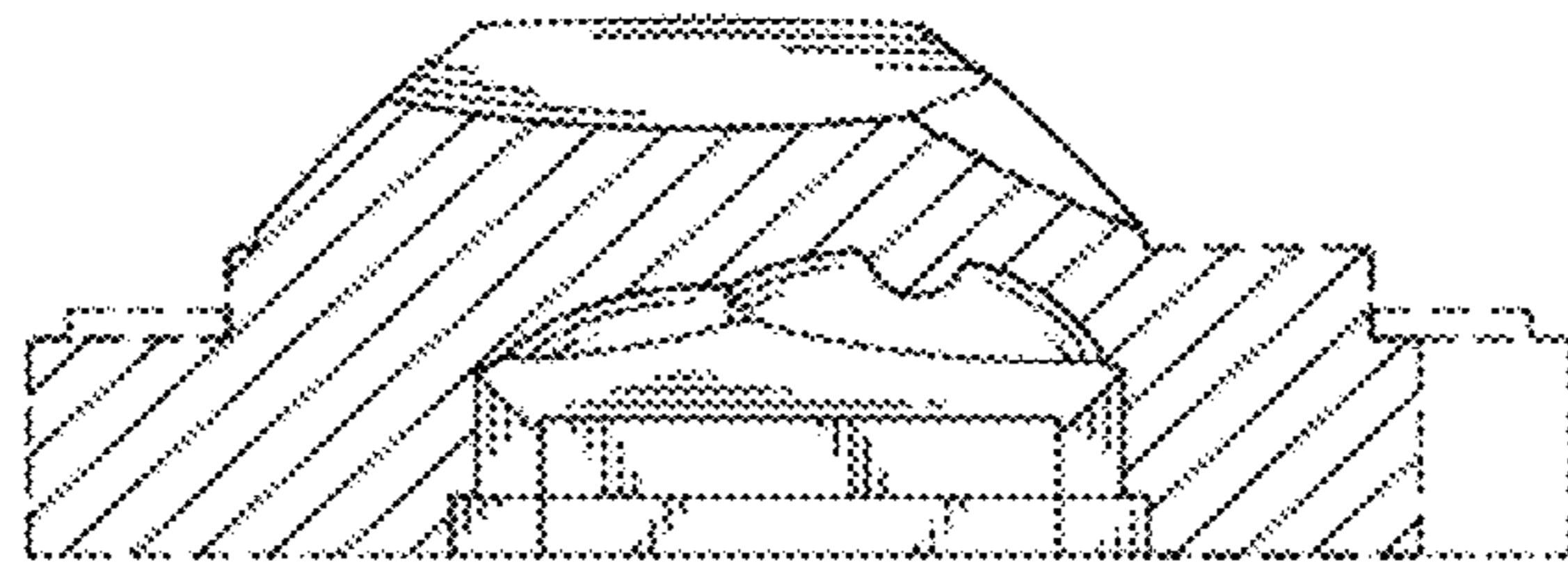


FIG. 9