

US00D667858S

(12) **United States Design Patent**
Crutchley et al.

(10) **Patent No.:** **US D667,858 S**

(45) **Date of Patent:** **** Sep. 25, 2012**

(54) **LAMINATOR**

(75) Inventors: **Shaelyn D. Crutchley**, St. Paul, MN (US); **Charles R. Kleissler**, Hugo, MN (US); **Valentina Tronconi**, Milan (IT); **Monica Dalla Riva**, Milan (IT); **Adel M. Kassem Llano**, Milan (IT)

(73) Assignee: **3M Innovative Properties Company**, St. Paul, MN (US)

(**) Term: **14 Years**

(21) Appl. No.: **29/405,840**

(22) Filed: **Nov. 7, 2011**

(51) **LOC (9) Cl.** **15-09**

(52) **U.S. Cl.** **D15/146**

(58) **Field of Classification Search** D15/145, D15/146; D18/50, 51, 53; 100/155 R, 160, 100/176, 555, 560, 582, 583.1

See application file for complete search history.

(56) **References Cited**

U.S. PATENT DOCUMENTS

3,597,587 A * 8/1971 Baum 219/243
D389,847 S * 1/1998 Huang D15/146

D443,883 S * 6/2001 Reuter D15/146
D453,171 S * 1/2002 Cheng D15/146
6,994,142 B2 * 2/2006 Murphy et al. 156/359
D534,192 S * 12/2006 Kiple et al. D15/145
D544,508 S * 6/2007 Beno et al. D15/146
D602,966 S * 10/2009 Kiple et al. D15/146
2006/0151120 A1 * 7/2006 Matlin et al. 156/583.1

* cited by examiner

Primary Examiner — Patricia Palasik

(74) *Attorney, Agent, or Firm* — Lisa P. Fulton; Irina Hass

(57) **CLAIM**

The ornamental design for a laminator, as shown and described.

DESCRIPTION

FIG. 1 is a perspective view of laminator showing the new design;

FIG. 2 is a right side view thereof;

FIG. 3 is a left side view thereof;

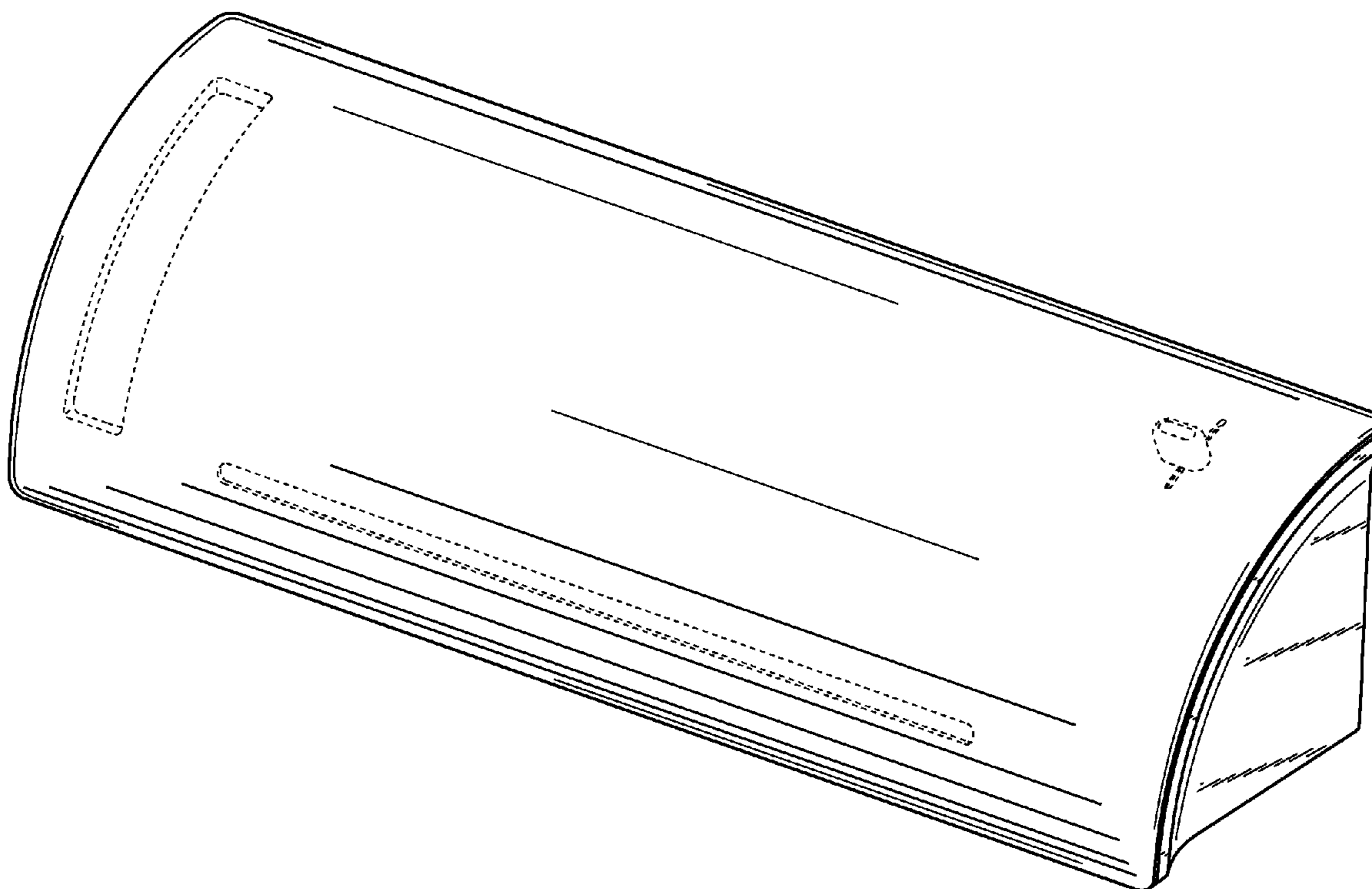
FIG. 4 is a top view thereof;

FIG. 5 is a back view thereof; and,

FIG. 6 is a front view thereof.

The broken line showings of environmental structure are for illustrative purposes only and form no part of the claimed design.

1 Claim, 4 Drawing Sheets



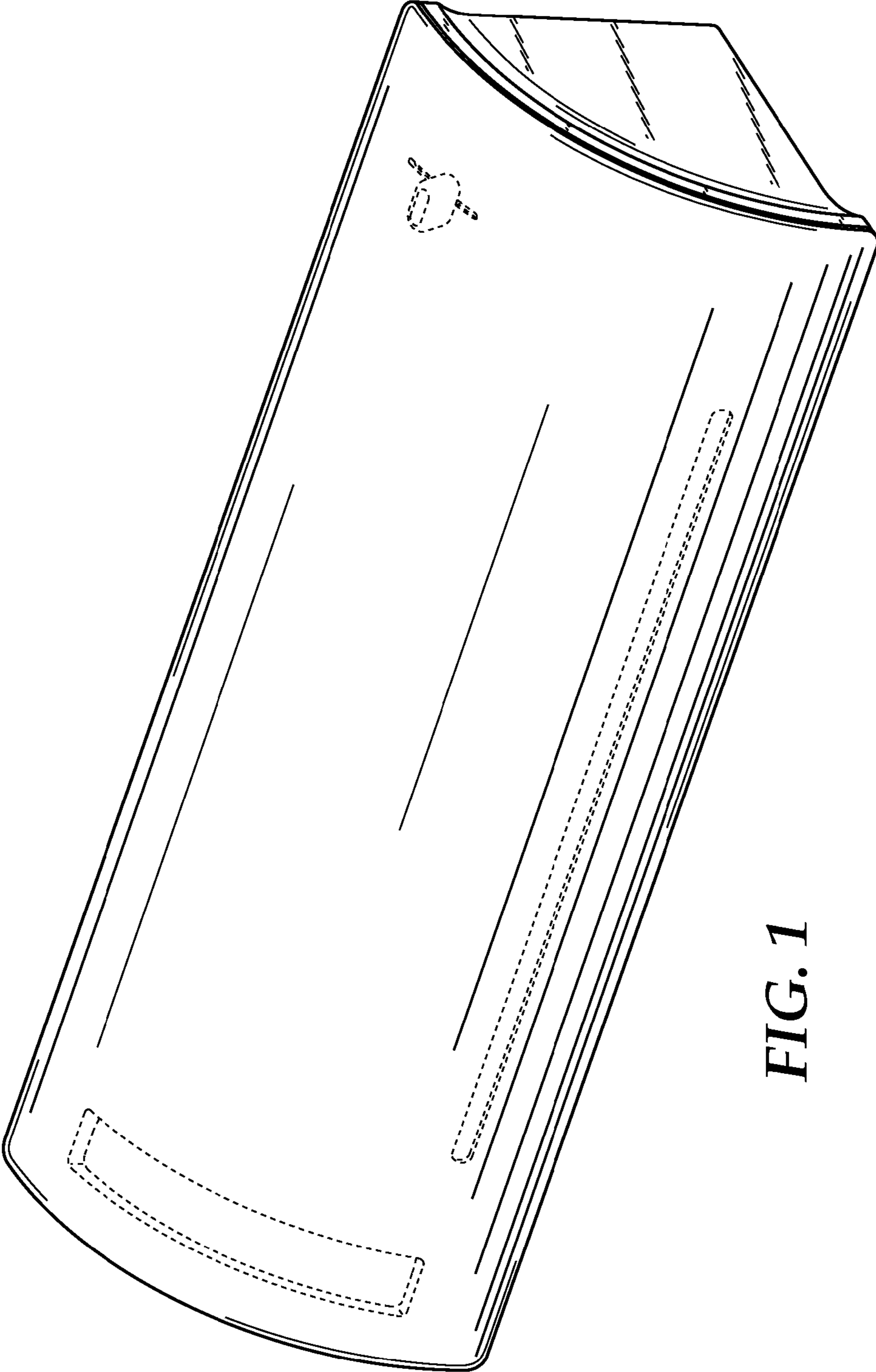


FIG. 1

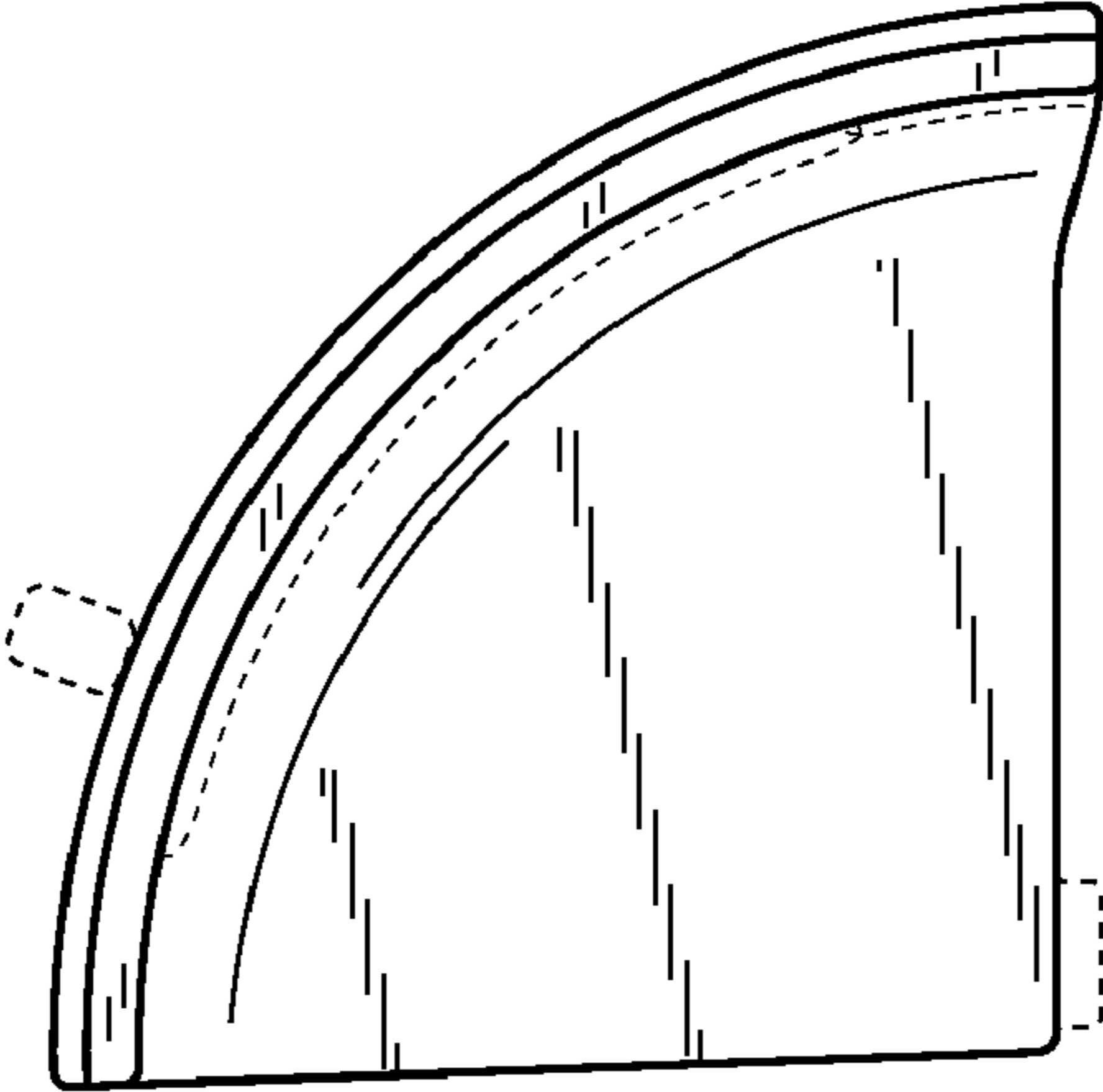


FIG. 2

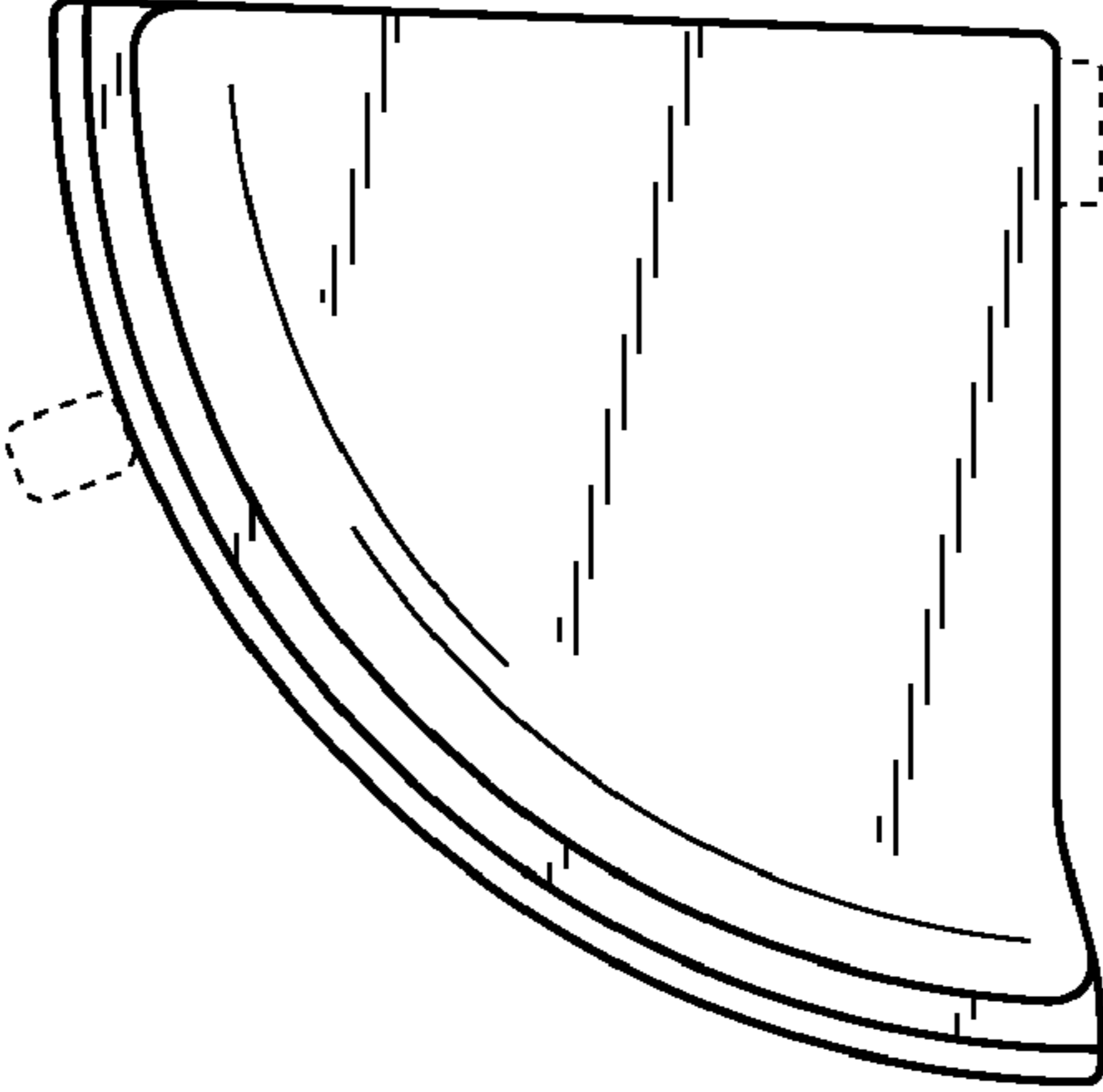


FIG. 3

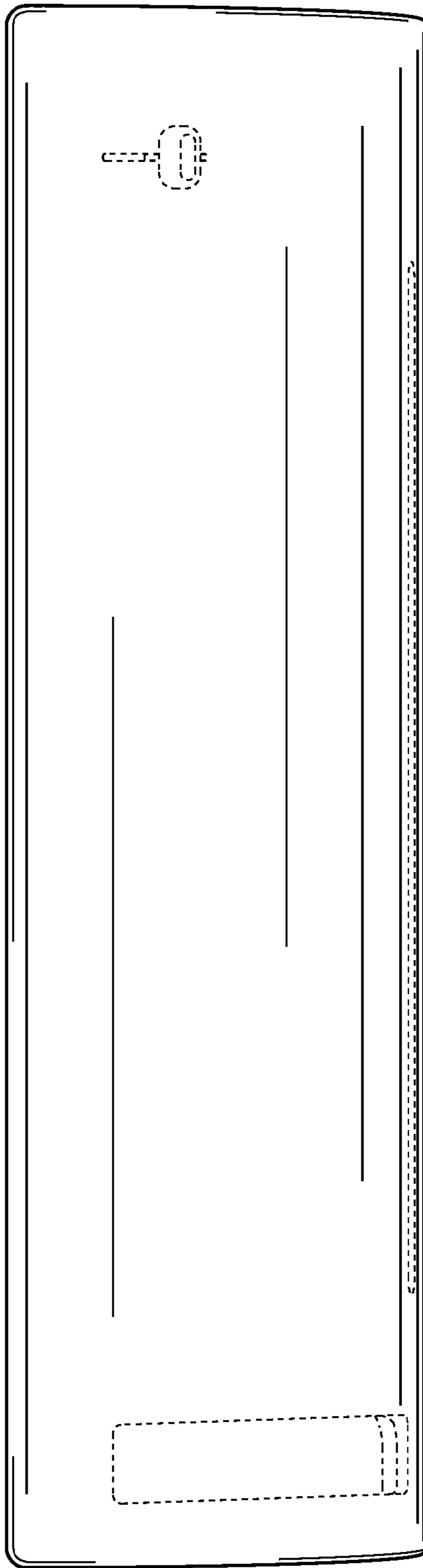


FIG. 4

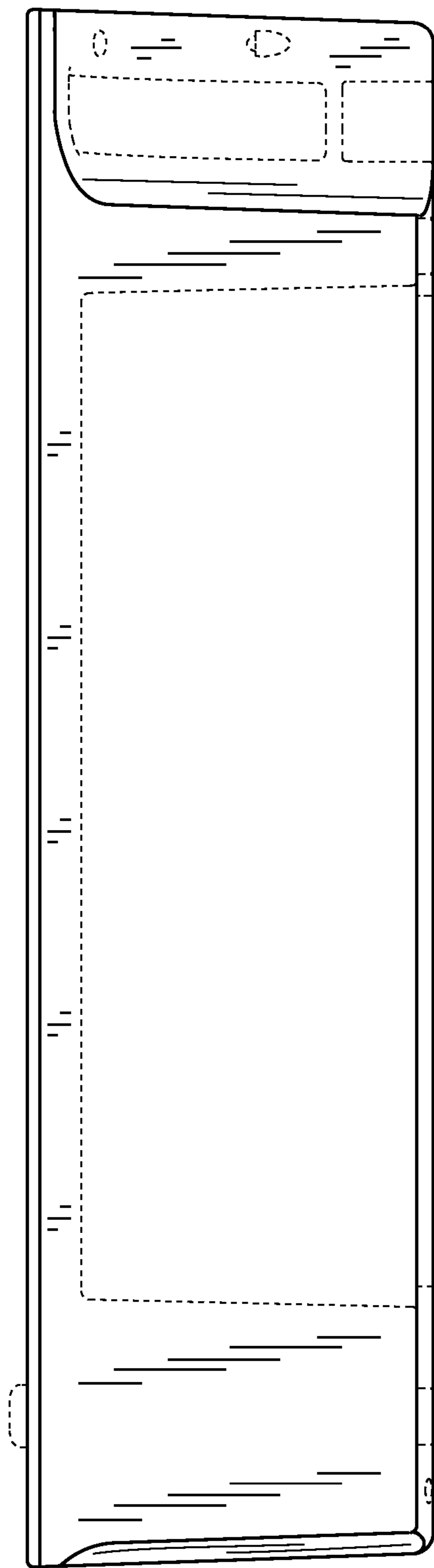


FIG. 5

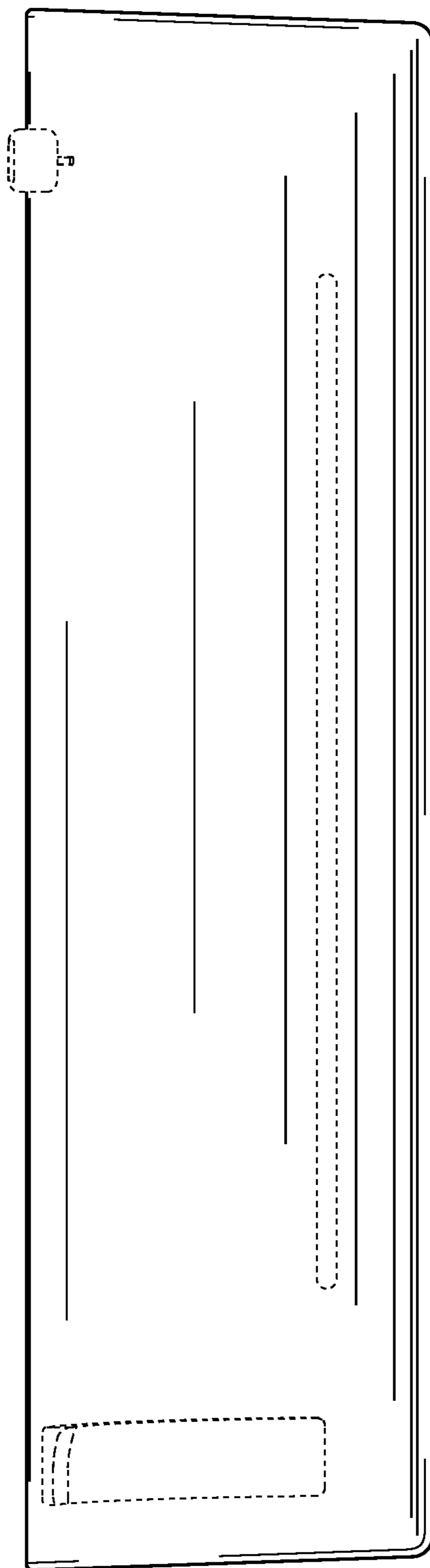


FIG. 6