



US00D667856S

(12) **United States Design Patent**
Kammerer et al.

(10) **Patent No.:** **US D667,856 S**

(45) **Date of Patent:** **** Sep. 25, 2012**

(54) **CHISEL HOLDER**

(75) Inventors: **Karl Kammerer**, Fluorn-Winzeln (DE);
Markus Roth, Aichhalden (DE);
Bernhard Diessner, Telfes in Stubai
(AT)

(73) Assignee: **BETEK GmbH & Co. KG** (DE)

(**) Term: **14 Years**

(21) Appl. No.: **29/403,714**

(22) Filed: **Oct. 10, 2011**

(30) **Foreign Application Priority Data**

Apr. 11, 2011 (EM) 001848938-0004

(51) **LOC (9) Cl.** **15-09**

(52) **U.S. Cl.** **D15/140**

(58) **Field of Classification Search** D8/70-74;
D15/131, 132, 138, 139, 140; 206/349; 209/106;
299/102-103, 105, 106-110; 408/204; 411/82.2,
411/82.5, 257, 258, 901-903, 914, 916, 930
See application file for complete search history.

(56) **References Cited**

U.S. PATENT DOCUMENTS

| | | | | |
|-----------|------|---------|--------------------|----------|
| 5,186,575 | A | 2/1993 | Wirtgen | |
| 5,378,050 | A | 1/1995 | Kammerer et al. | |
| 5,529,384 | A * | 6/1996 | Ojanen et al. | 299/107 |
| 5,573,308 | A | 11/1996 | Simons et al. | |
| 5,683,144 | A | 11/1997 | Kammerer et al. | |
| 6,244,665 | B1 * | 6/2001 | Bise et al. | 299/106 |
| 6,619,756 | B1 | 9/2003 | Holl et al. | |
| 6,619,757 | B1 | 9/2003 | Kammerer | |
| 6,644,755 | B1 | 11/2003 | Kammerer | |
| 6,764,140 | B2 * | 7/2004 | Carson et al. | 299/79.1 |
| 6,866,343 | B2 | 3/2005 | Holl et al. | |

| | | | | |
|-----------|------|---------|--------------------|---------|
| 7,086,704 | B2 | 8/2006 | Holl et al. | |
| 7,300,115 | B2 | 11/2007 | Holl et al. | |
| D567,270 | S * | 4/2008 | Chiang | D15/140 |
| D574,689 | S | 8/2008 | Holl et al. | |
| D575,610 | S | 8/2008 | Holl et al. | |
| 7,461,903 | B2 | 12/2008 | Tewes et al. | |
| D585,259 | S | 1/2009 | Holl et al. | |
| 7,475,949 | B2 * | 1/2009 | Helsel et al. | 299/108 |

(Continued)

OTHER PUBLICATIONS

U.S. Appl. No. 29/403,708, filed Oct. 10, 2011 to Kammerer et al.

(Continued)

Primary Examiner — Patricia Palasik

(74) *Attorney, Agent, or Firm* — Wadley & Patterson, P.C.;
Lucian Wayne Beavers

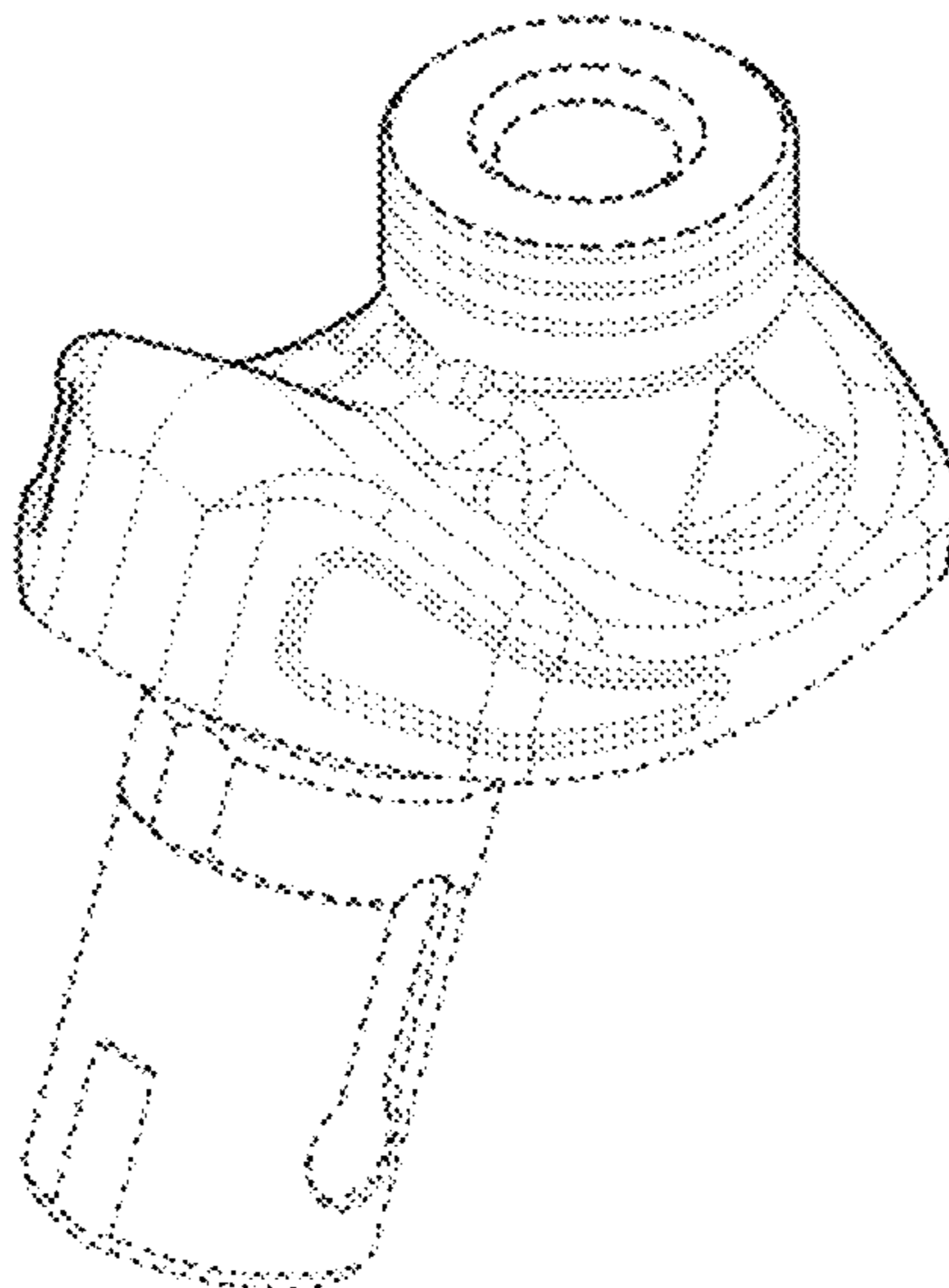
(57) **CLAIM**

What is claimed is the ornamental design for a chisel holder,
as shown and described.

DESCRIPTION

FIG. 1 is a front perspective view of the chisel holder.
FIG. 2 is a right side elevation view of the chisel holder of
FIG. 1.
FIG. 3 is a front elevation view of the chisel holder of FIG. 1.
FIG. 4 is a rear view of the chisel holder of FIG. 1.
FIG. 5 is a bottom elevation view of the chisel holder of FIG.
1.
FIG. 6 is a top view of the chisel holder of FIG. 1; and,
FIG. 7 is a left side elevation view of the chisel holder of FIG.
1.
In all of the Figures the broken lines are shown for environ-
mental purposes only and form no part of the claimed design.

1 Claim, 4 Drawing Sheets



US D667,856 S

Page 2

U.S. PATENT DOCUMENTS

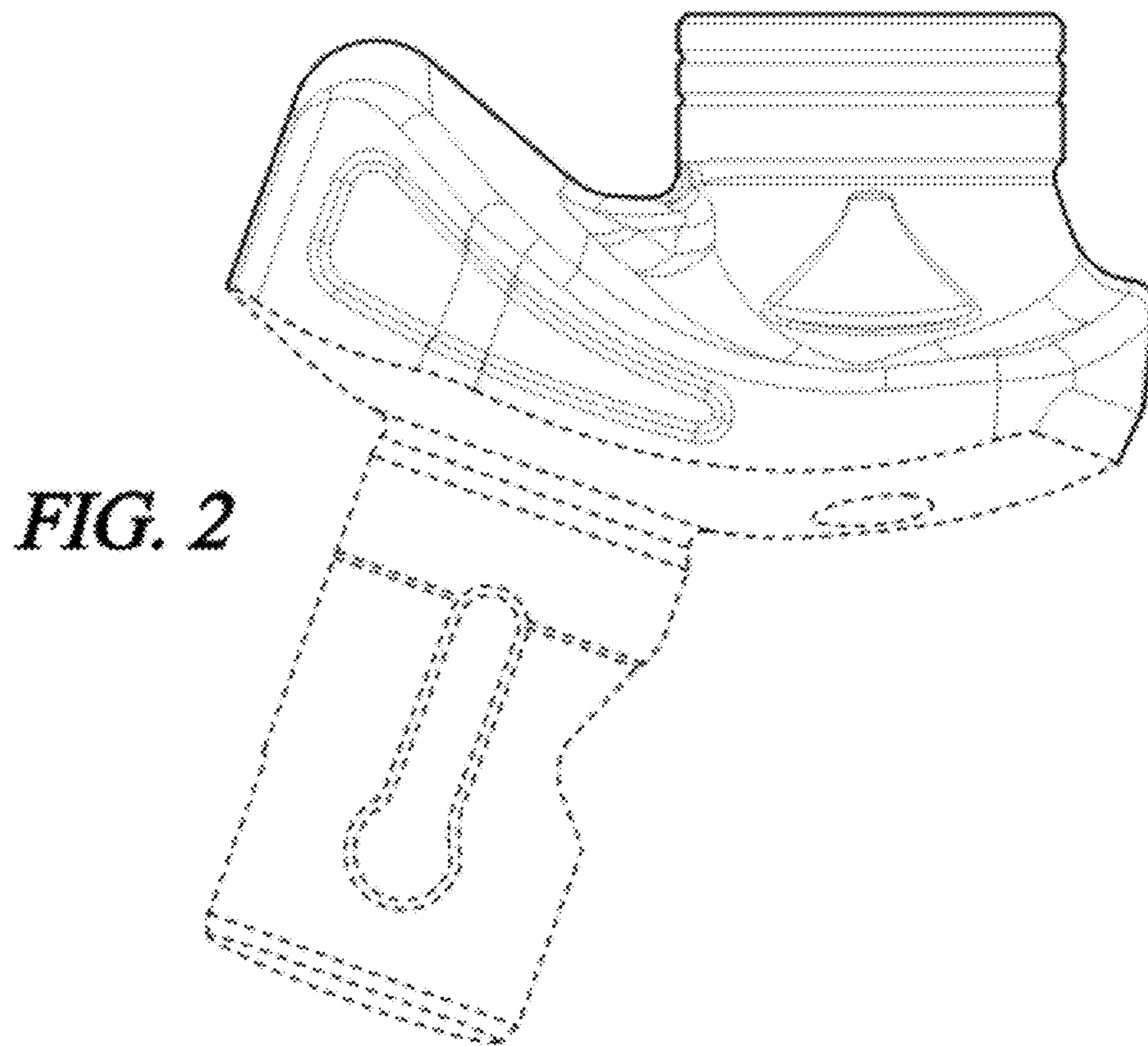
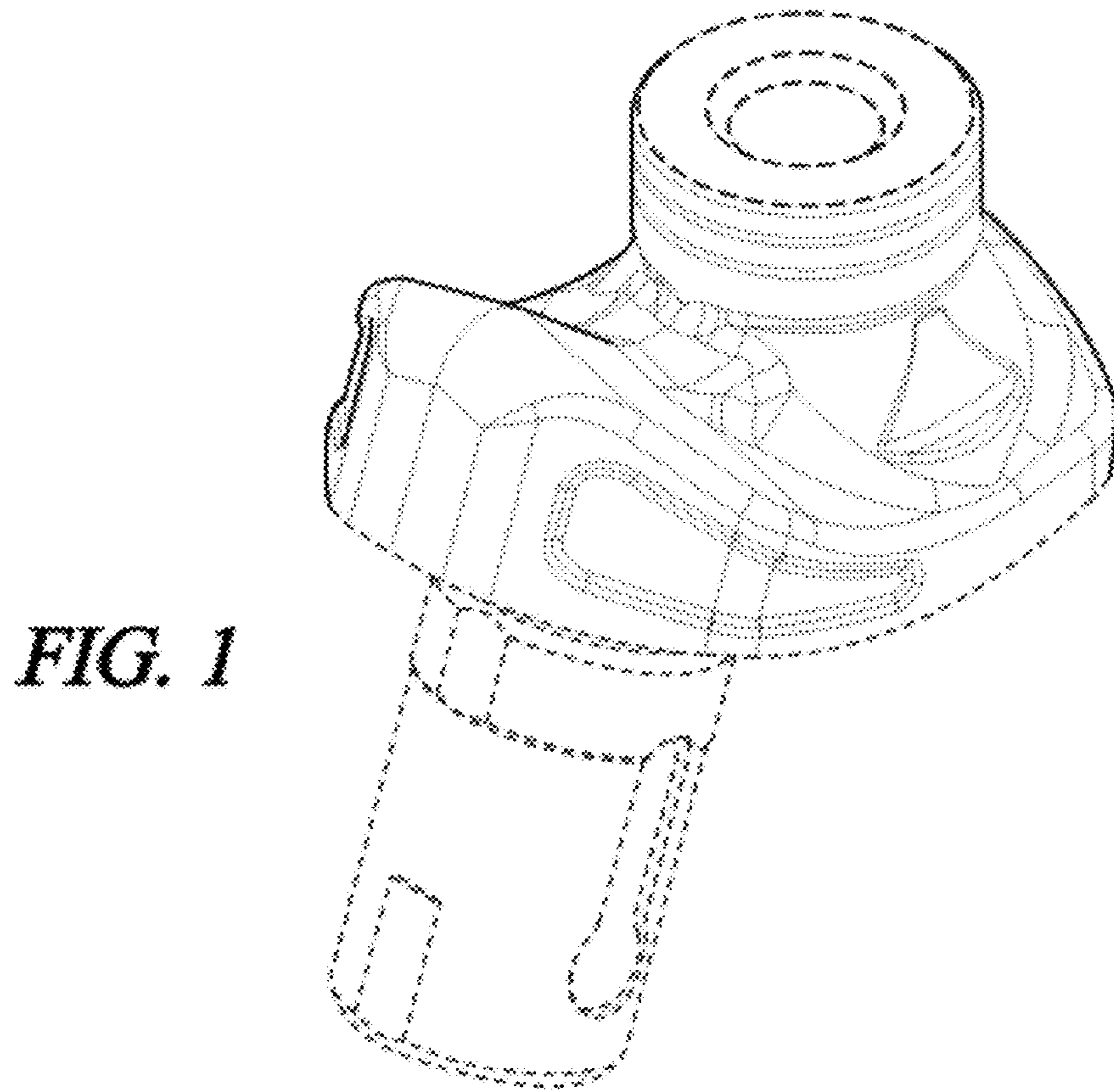
7,537,288 B2 * 5/2009 Chiang 299/102
7,547,075 B2 6/2009 Tewes et al.
7,597,402 B2 10/2009 Tewes et al.
7,784,875 B2 8/2010 Holl et al.
7,922,256 B2 4/2011 Kammerer et al.
7,922,257 B2 4/2011 Kammerer
D638,453 S 5/2011 Buhr et al.
8,061,783 B2 * 11/2011 Keller et al. 299/102
D657,648 S * 4/2012 Wachsmann D8/71
2006/0119165 A1 * 6/2006 Holl et al. 299/106
2009/0085396 A1 * 4/2009 Chiang 299/102
2009/0293249 A1 12/2009 Lehnert et al.

2011/0006588 A1 * 1/2011 Monyak et al. 299/107
2011/0148178 A1 6/2011 Lehnert et al.
2011/0148179 A1 6/2011 Lehnert et al.

OTHER PUBLICATIONS

U.S. Appl. No. 29/403,710, filed Oct. 10, 2011 to Kammerer et al.
U.S. Appl. No. 29/403,711, filed Oct. 10, 2011 to Kammerer et al.
U.S. Appl. No. 29/403,712, filed Oct. 10, 2011 to Kammerer et al.
Kennametal Inc. brochure entitled "CB1OHD Replacement Toolholders", 2 pp., 2008.

* cited by examiner



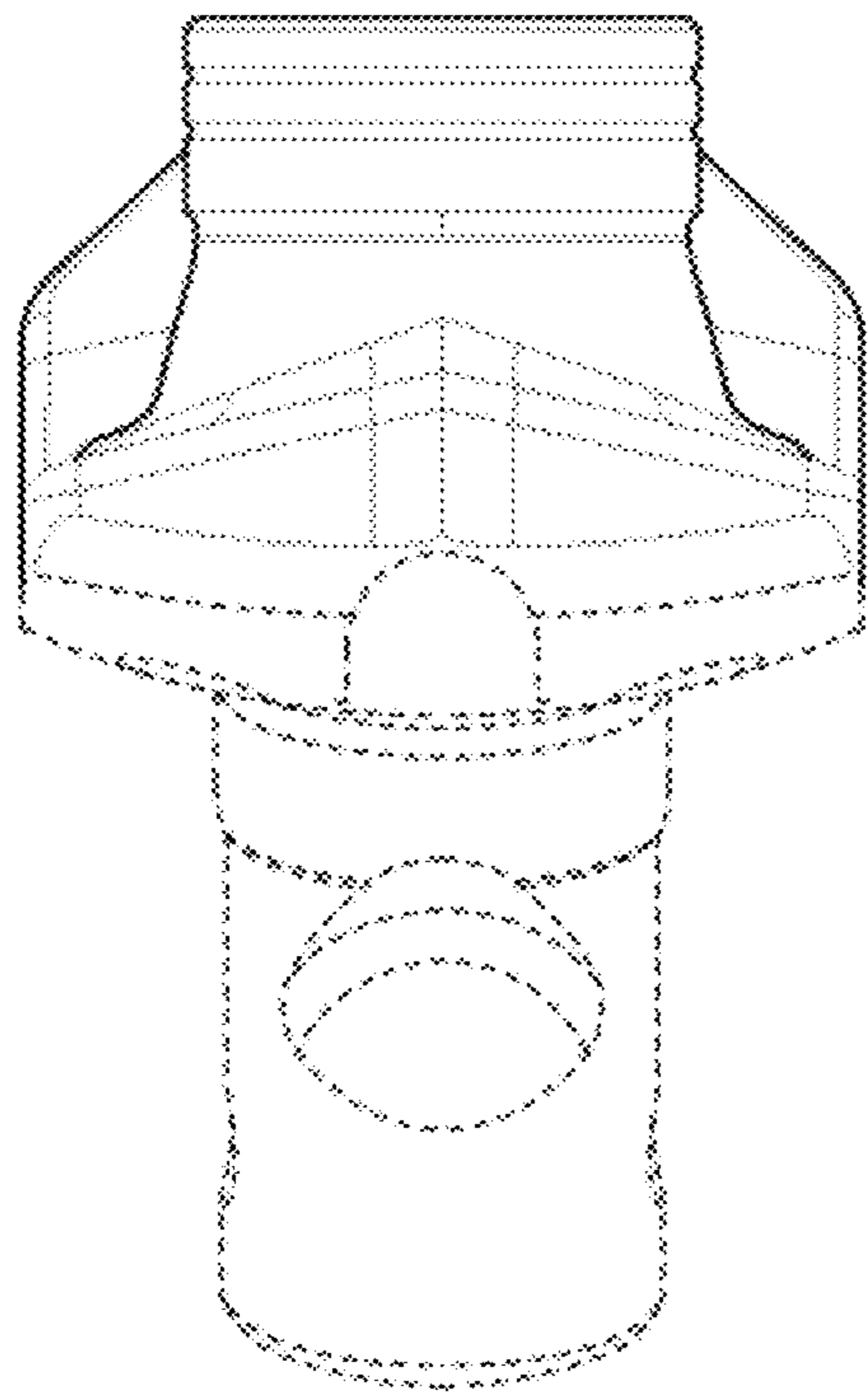


FIG. 3

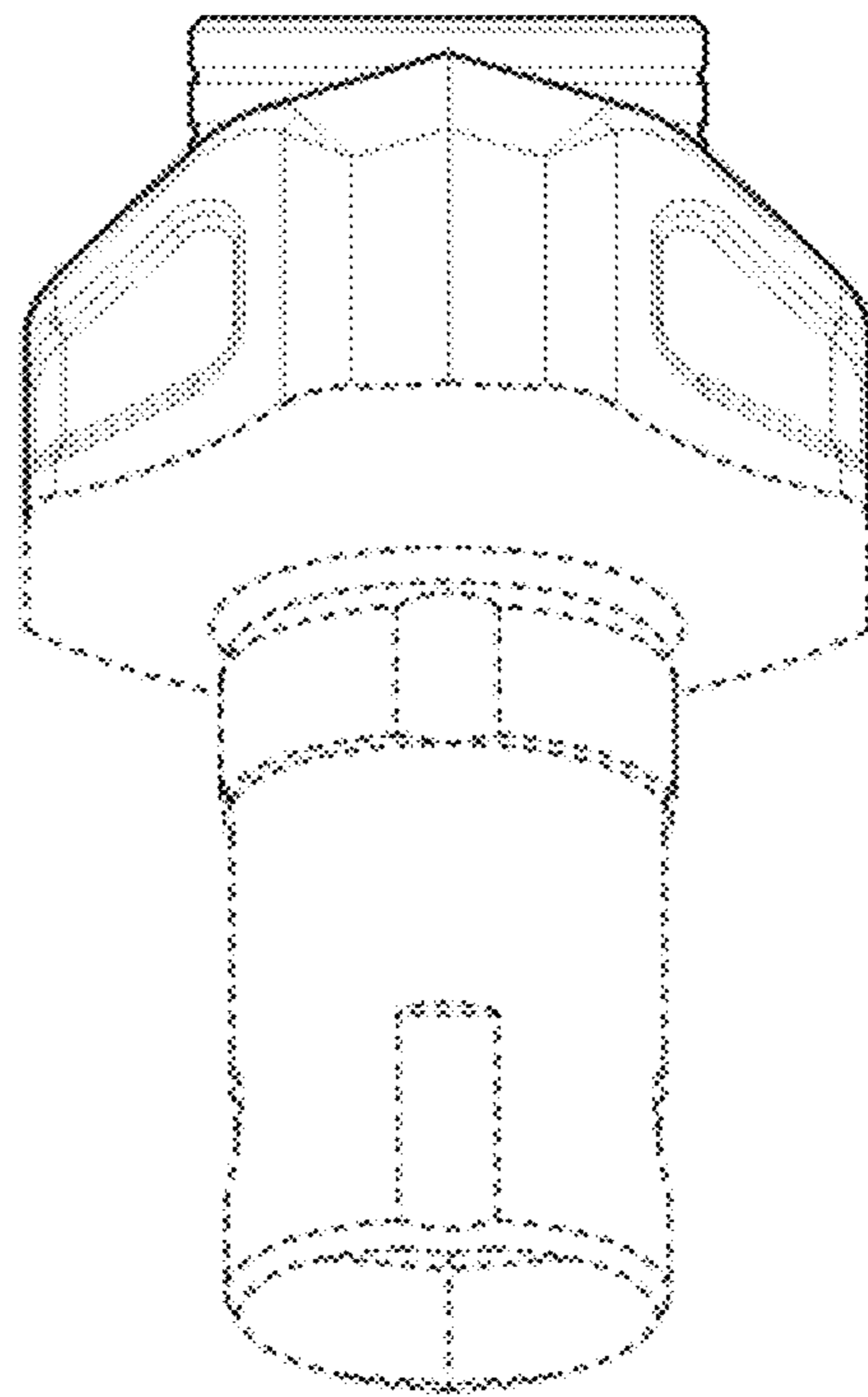


FIG. 4

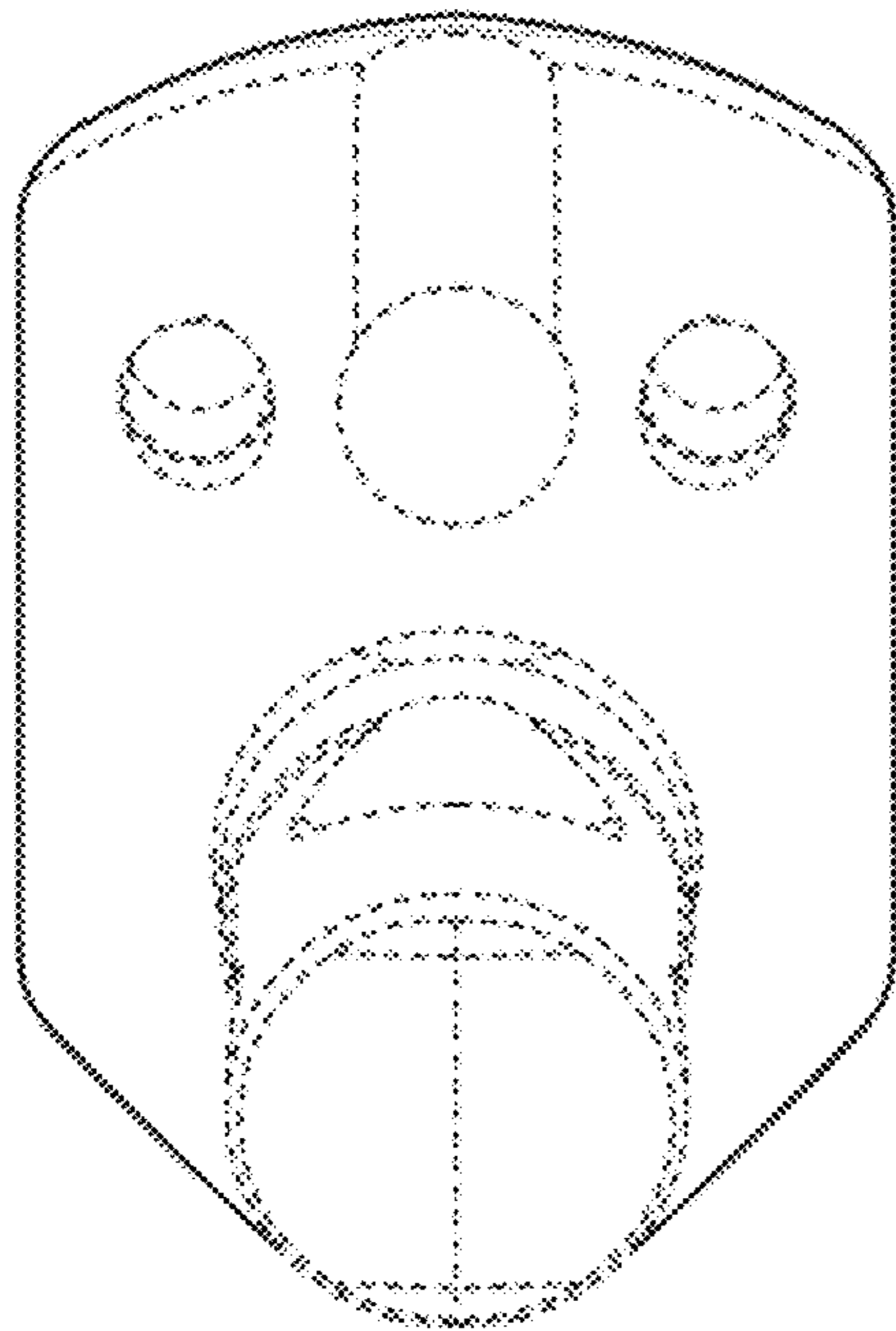


FIG. 5

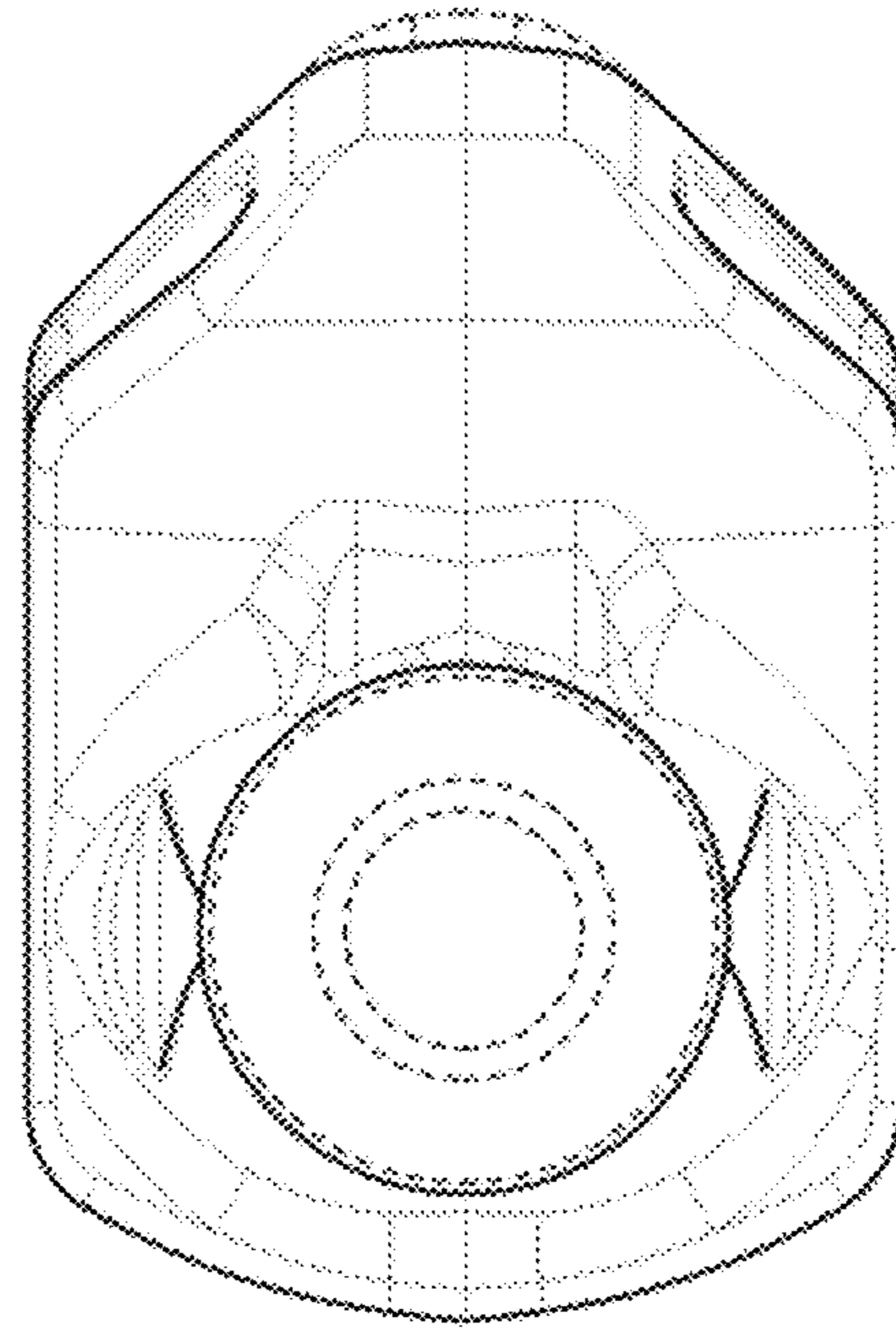


FIG. 6

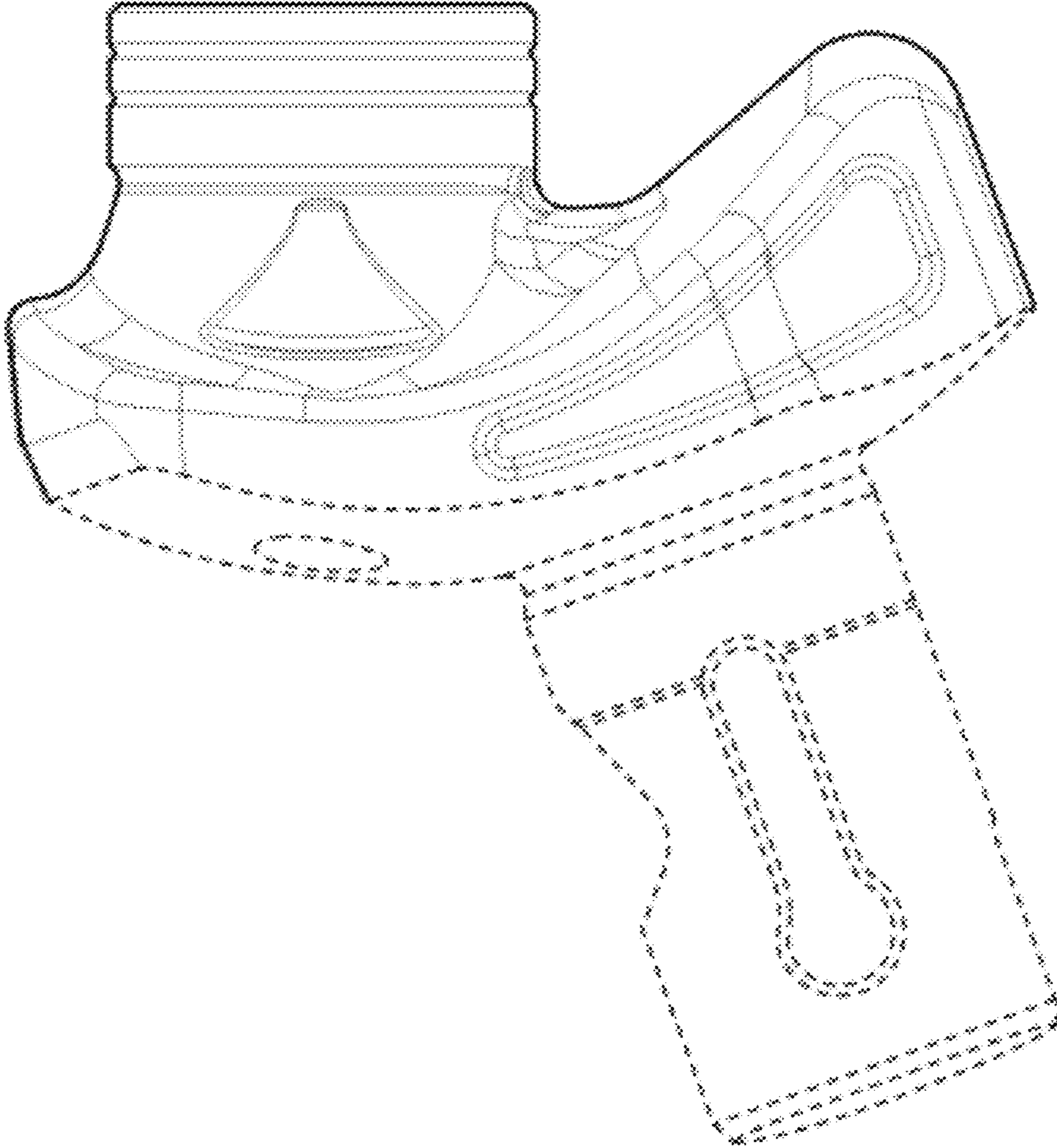


FIG. 7