



US00D667855S

(12) **United States Design Patent**  
**Kammerer et al.**

(10) **Patent No.:** **US D667,855 S**

(45) **Date of Patent:** **\*\* Sep. 25, 2012**

(54) **BASE FOR A CHISEL HOLDER**

(75) Inventors: **Karl Kammerer**, Fluorn-Winzeln (DE);  
**Markus Roth**, Aichhalden (DE);  
**Bernhard Diessner**, Telfes in Stubai  
(AT)

(73) Assignee: **BETEK GmbH & Co. KG** (DE)

(\*\*) Term: **14 Years**

(21) Appl. No.: **29/403,712**

(22) Filed: **Oct. 10, 2011**

(30) **Foreign Application Priority Data**

Apr. 11, 2011 (EM) ..... 001848938-0008

(51) **LOC (9) Cl.** ..... **15-09**

(52) **U.S. Cl.** ..... **D15/140; D8/71**

(58) **Field of Classification Search** ..... D8/70-74;  
D15/131, 132, 138, 139, 140; 206/349; 209/106;  
299/102-103, 105, 106-110; 408/204; 411/82.2,  
411/82.5, 257, 258, 901-903, 914, 916, 930  
See application file for complete search history.

(56) **References Cited**

**U.S. PATENT DOCUMENTS**

5,186,575	A	2/1993	Wirtgen	
5,378,050	A	1/1995	Kammerer et al.	
5,529,384	A *	6/1996	Ojanen et al.	299/107
5,573,308	A	11/1996	Simons et al.	
5,683,144	A	11/1997	Kammerer et al.	
6,244,665	B1 *	6/2001	Bise et al.	299/106
6,619,756	B1	9/2003	Holl et al.	
6,619,757	B1	9/2003	Kammerer	
6,644,755	B1	11/2003	Kammerer	
6,764,140	B2 *	7/2004	Carson et al.	299/79.1
6,866,343	B2	3/2005	Holl et al.	
7,086,704	B2	8/2006	Holl et al.	
7,300,115	B2	11/2007	Holl et al.	

D567,270	S *	4/2008	Chiang	D15/140
D574,689	S	8/2008	Holl et al.	
D575,610	S	8/2008	Holl et al.	
7,461,903	B2	12/2008	Tewes et al.	
D585,259	S	1/2009	Holl et al.	
7,475,949	B2 *	1/2009	Helsel et al.	299/108
7,537,288	B2 *	5/2009	Chiang	299/102
7,547,075	B2	6/2009	Tewes et al.	

(Continued)

**OTHER PUBLICATIONS**

U.S. Appl. No. 29/403,708, filed Oct. 10, 2011 to Kammerer et al.  
(not prior art).

(Continued)

*Primary Examiner* — Patricia Palasik

(74) *Attorney, Agent, or Firm* — Waddey & Patterson, P.C.;  
Lucian Wayne Beavers

(57) **CLAIM**

What is claimed is the ornamental design for a base for a  
chisel holder, as shown and described.

**DESCRIPTION**

FIG. 1 is a front perspective view of the base for a chisel  
holder.

FIG. 2 is a front elevation view of the base for a chisel holder  
of FIG. 1.

FIG. 3 is a right side elevation view of the base for a chisel  
holder of FIG. 1.

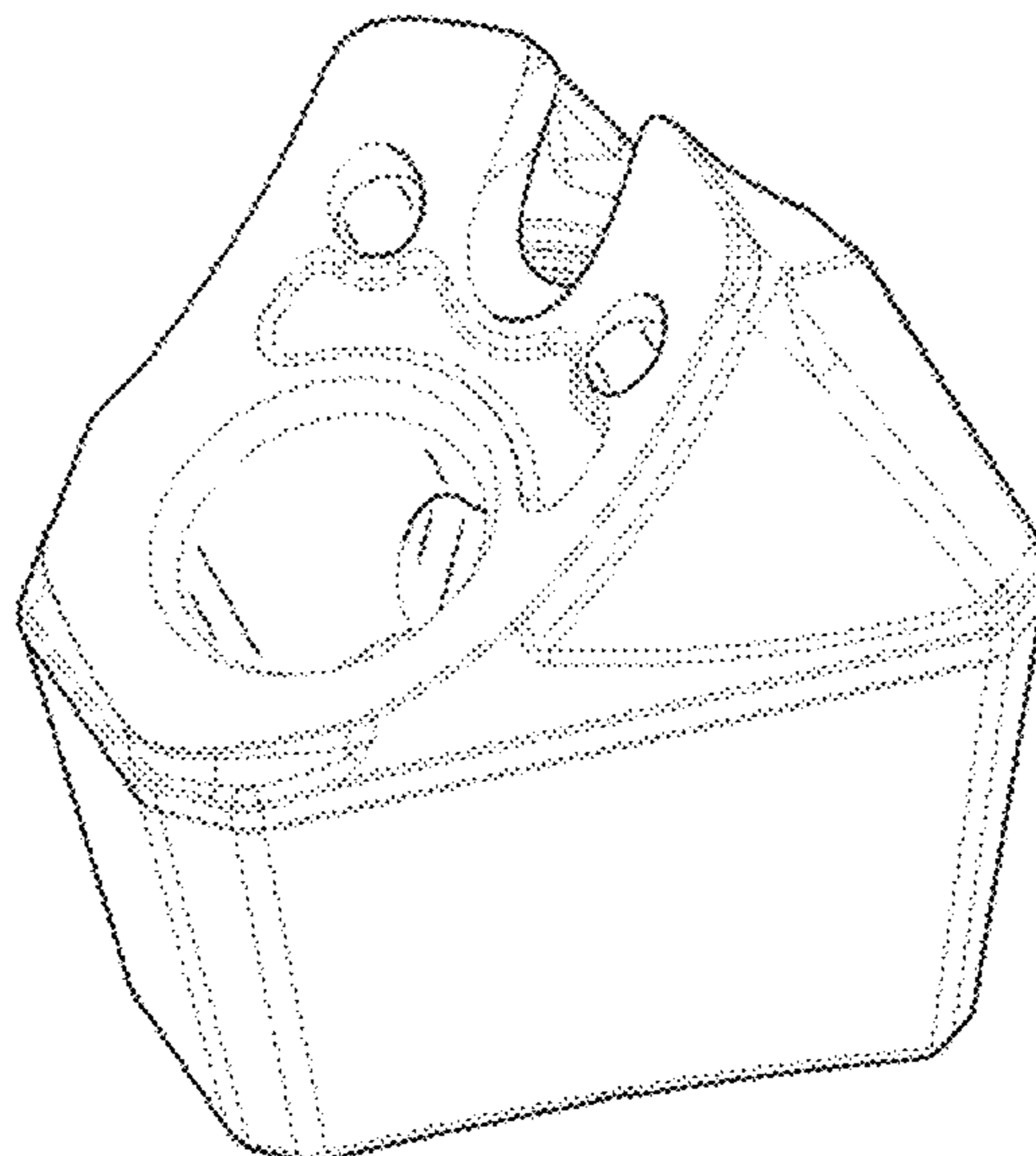
FIG. 4 is a rear elevation view of the base for a chisel holder  
of FIG. 1.

FIG. 5 is a left side elevation view of the base for a chisel  
holder of FIG. 1.

FIG. 6 is a bottom view of the base for a chisel holder of FIG.  
1; and,

FIG. 7 is a top view of the base for a chisel holder of FIG. 1.

**1 Claim, 7 Drawing Sheets**



# US D667,855 S

Page 2

---

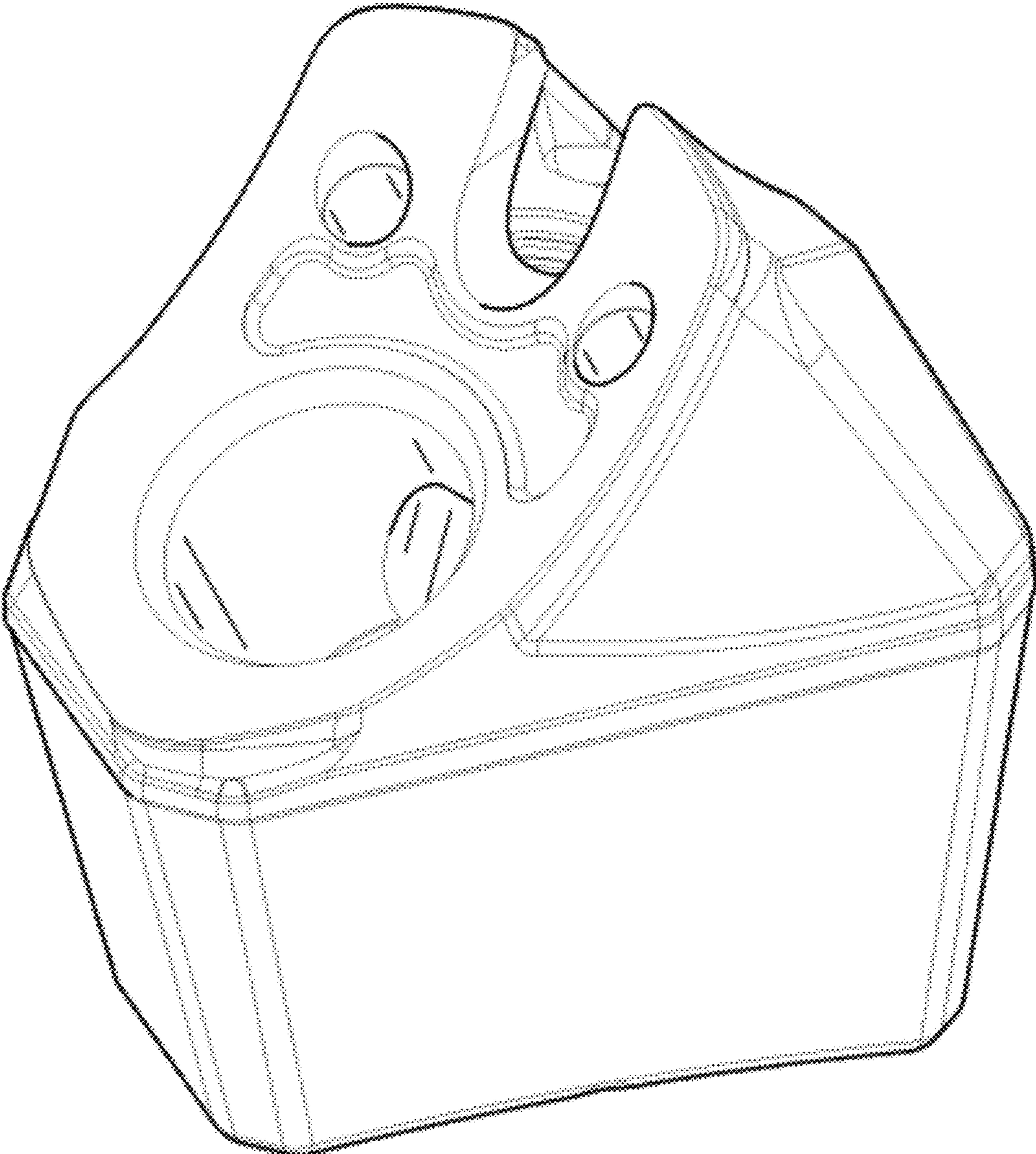
## U.S. PATENT DOCUMENTS

7,597,402	B2	10/2009	Tewes et al.	
7,784,875	B2	8/2010	Holl et al.	
7,922,256	B2	4/2011	Kammerer et al.	
7,922,257	B2	4/2011	Kammerer	
D638,453	S	5/2011	Buhr et al.	
8,061,783	B2 *	11/2011	Keller et al.	299/102
D657,648	S *	4/2012	Wachsmann	D8/71
2006/0119165	A1 *	6/2006	Holl et al.	299/106
2009/0085396	A1 *	4/2009	Chiang	299/102
2009/0293249	A1	12/2009	Lehnert et al.	
2011/0006588	A1 *	1/2011	Monyak et al.	299/107
2011/0148178	A1	6/2011	Lehnert et al.	
2011/0148179	A1	6/2011	Lehnert et al.	

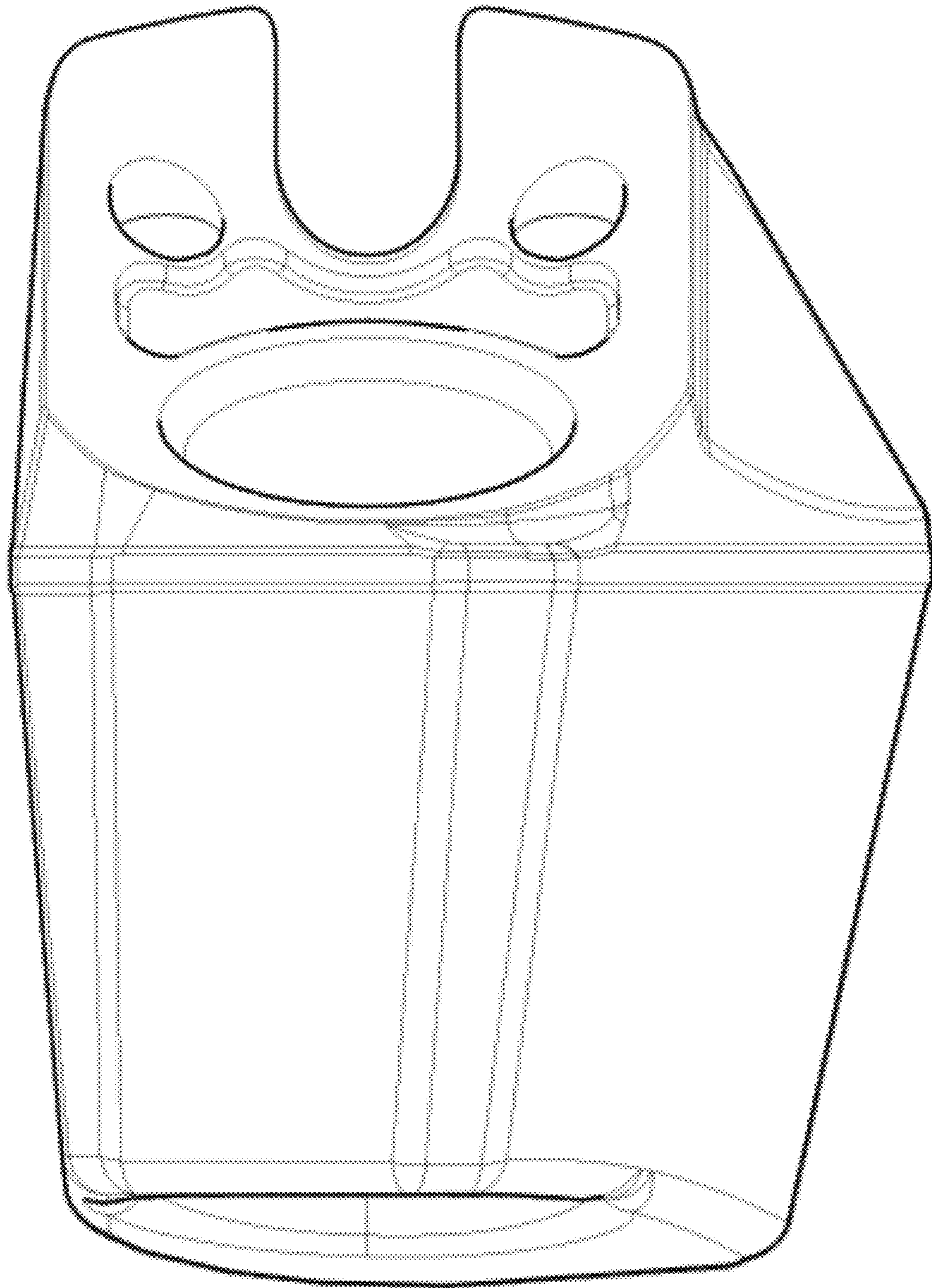
## OTHER PUBLICATIONS

U.S. Appl. No. 29/403,710, filed Oct. 10, 2011 to Kammerer et al.  
(not prior art).  
U.S. Appl. No. 29/403,711, filed Oct. 10, 2011 to Kammerer et al.  
(not prior art).  
U.S. Appl. No. 29/403,714, filed Oct. 10, 2011 to Kammerer et al.  
(not prior art).  
Kennametal Inc. brochure entitled "CB10HD Replacement  
Toolholders", 2 pp., 2008.

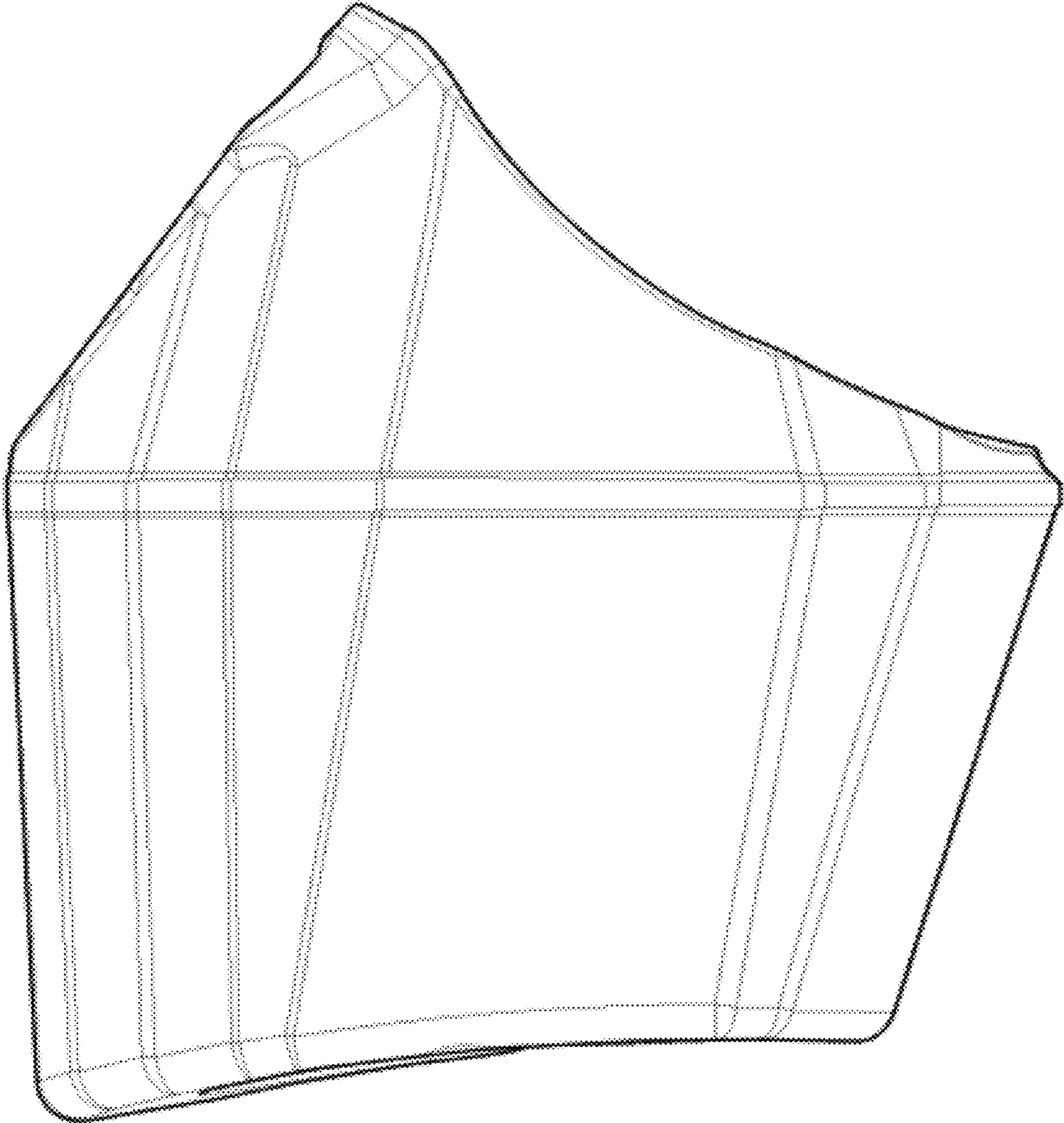
\* cited by examiner



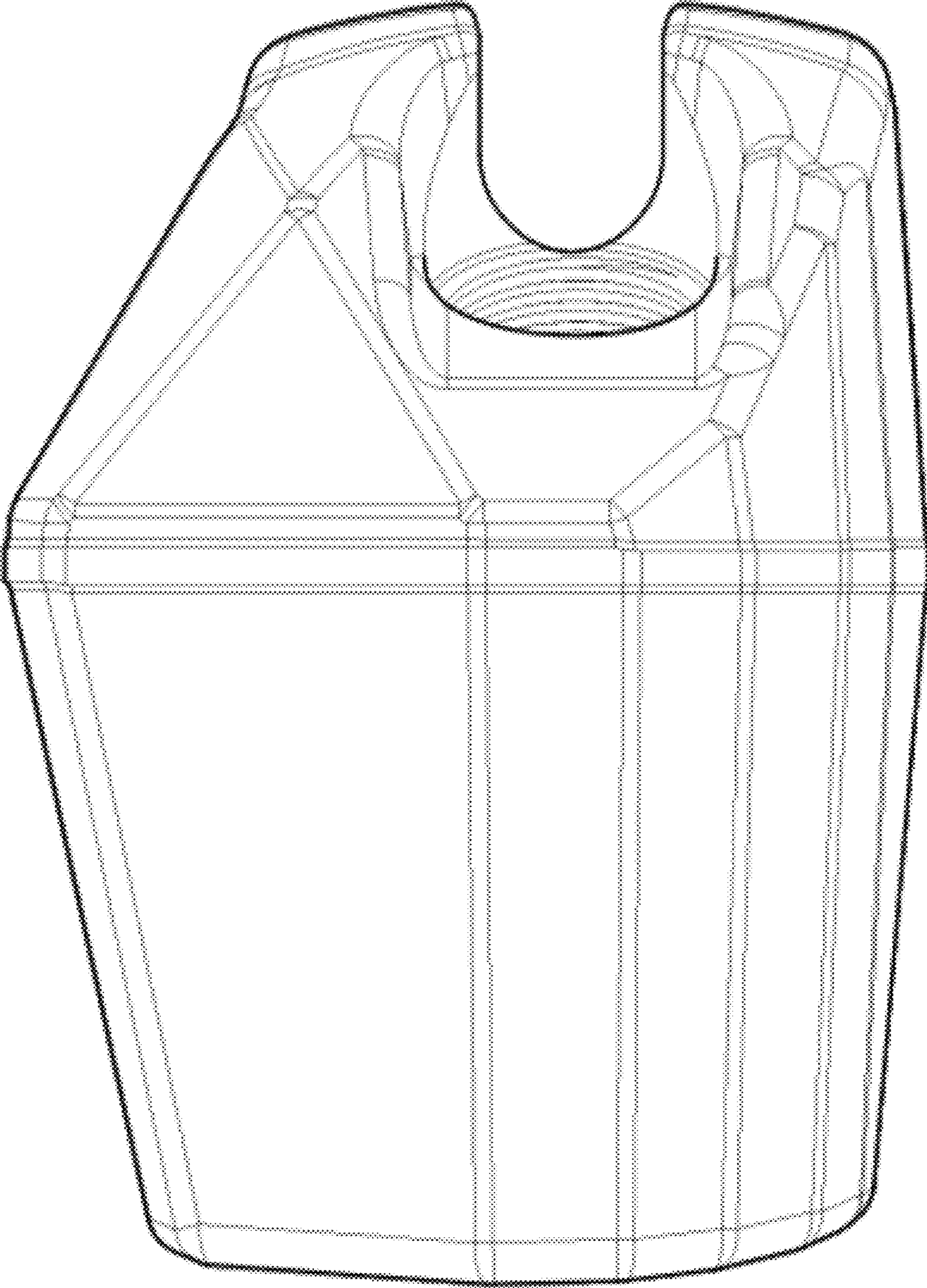
**FIG. 1**



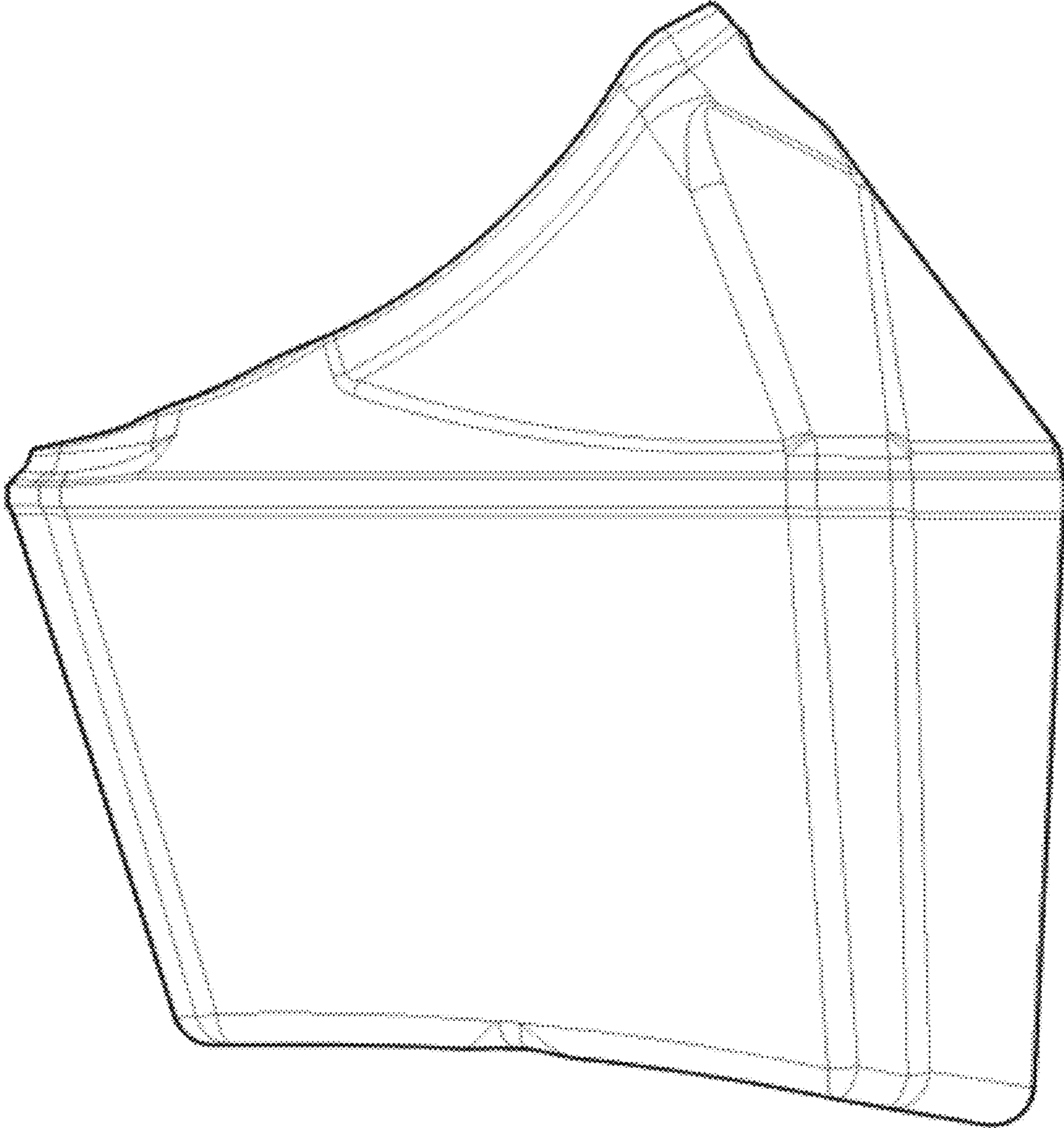
**FIG. 2**



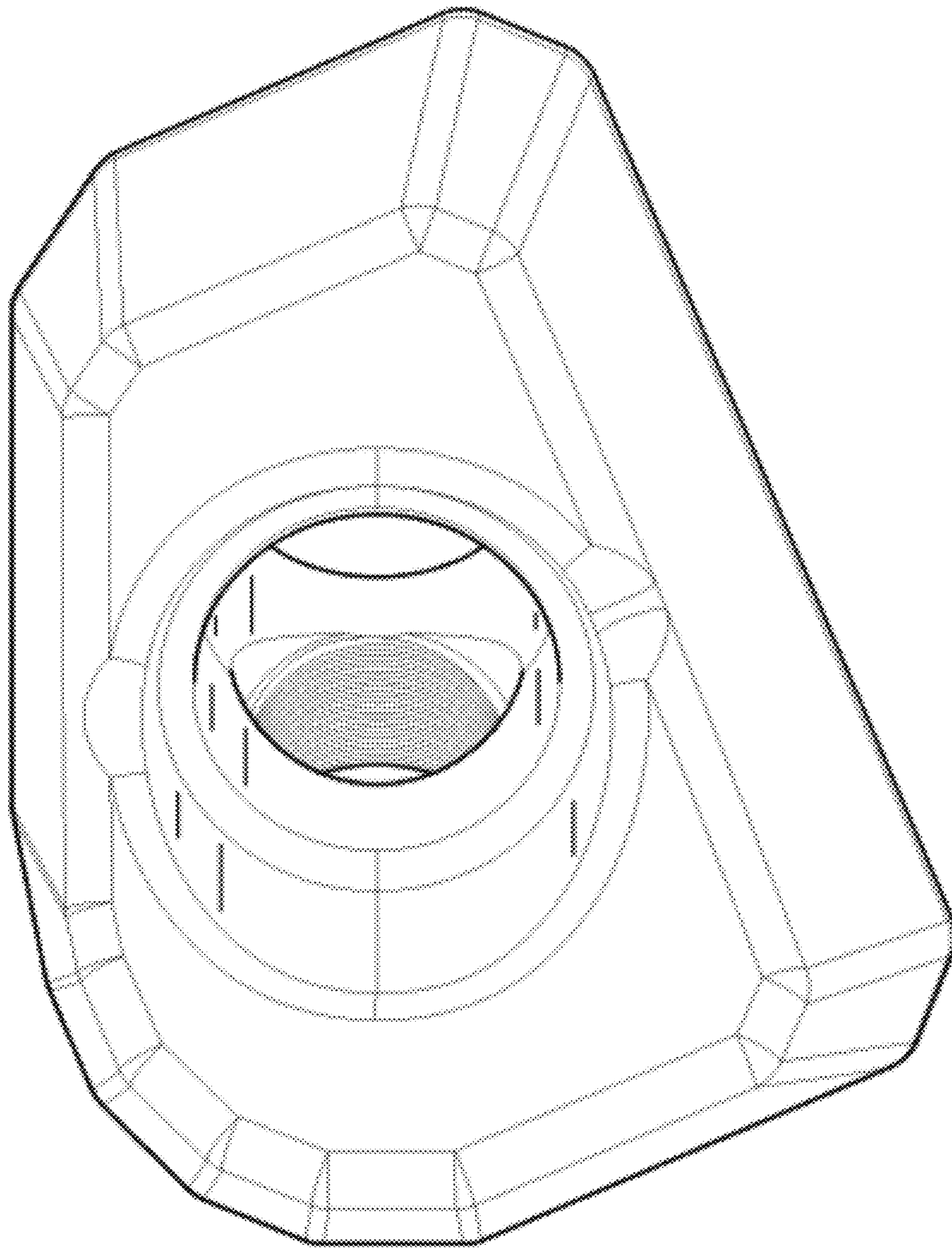
**FIG. 3**



**FIG. 4**

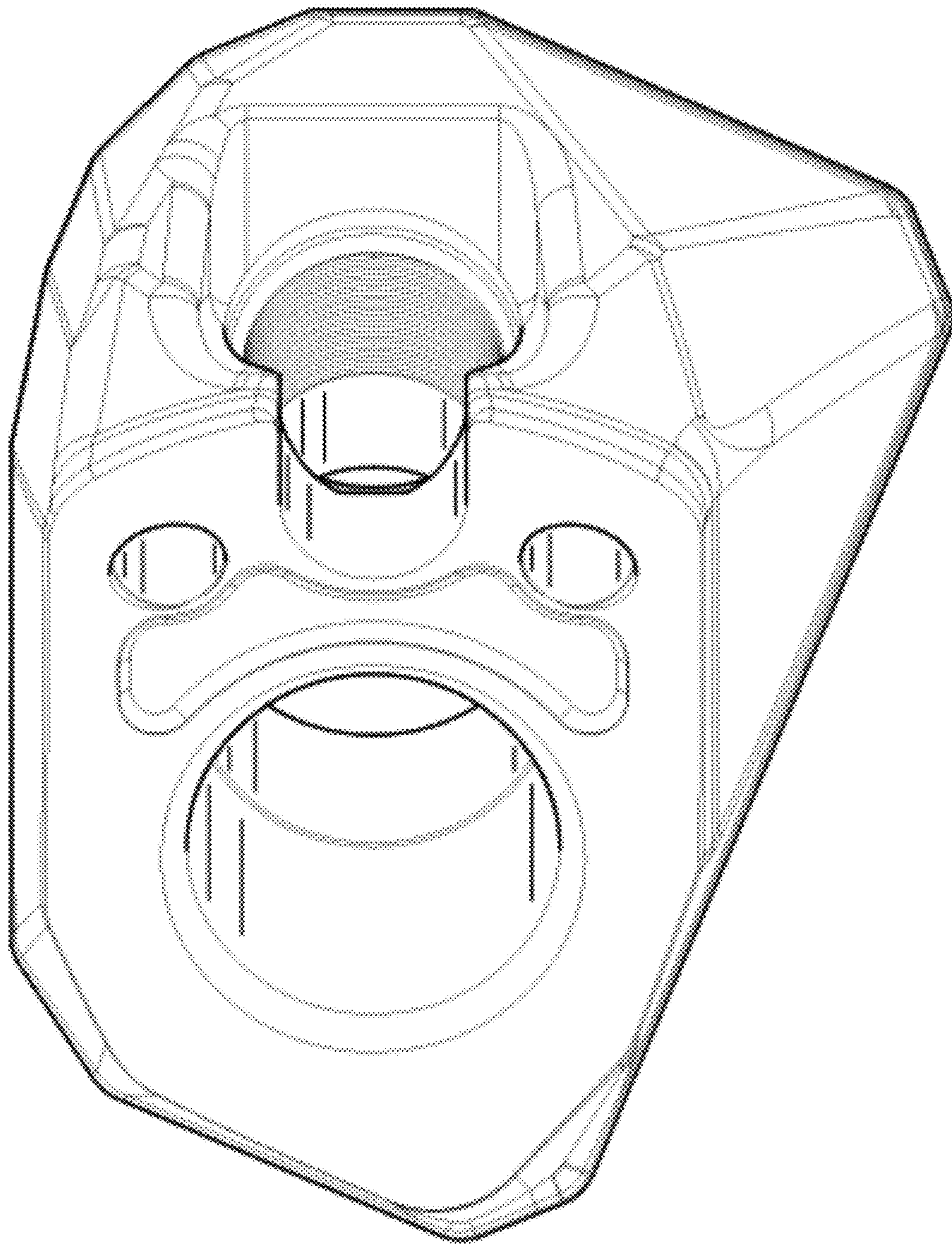


***FIG. 5***



***FIG. 6***





**FIG. 7**