



US00D667854S

(12) **United States Design Patent**
Kammerer et al.

(10) **Patent No.:** **US D667,854 S**

(45) **Date of Patent:** **** Sep. 25, 2012**

(54) **CHISEL HOLDER**

(75) Inventors: **Karl Kammerer**, Fluorn-Winzeln (DE);
Markus Roth, Aichhalden (DE);
Bernhard Diessner, Telfes in Stubai
(AT)

(73) Assignee: **BETEK GmbH & Co. KG** (DE)

(**) Term: **14 Years**

(21) Appl. No.: **29/403,710**

(22) Filed: **Oct. 10, 2011**

(30) **Foreign Application Priority Data**

Apr. 11, 2011 (EM) 001848938-0004

(51) **LOC (9) Cl.** **15-09**

(52) **U.S. Cl.** **D15/140**

(58) **Field of Classification Search** D8/70-74;
D15/131, 132, 138, 139, 140; 206/349; 209/106;
299/102-103, 105, 106-110; 408/204; 411/82.2,
411/82.5, 257, 258, 901-903, 914, 916, 930
See application file for complete search history.

(56) **References Cited**

U.S. PATENT DOCUMENTS

5,186,575	A	2/1993	Wirtgen	
5,378,050	A	1/1995	Kammerer et al.	
5,529,384	A *	6/1996	Ojanen et al.	299/107
5,573,308	A	11/1996	Simons et al.	
5,683,144	A	11/1997	Kammerer et al.	
6,244,665	B1 *	6/2001	Bise et al.	299/106
6,619,756	B1	9/2003	Holl et al.	
6,619,757	B1	9/2003	Kammerer	
6,644,755	B1	11/2003	Kammerer	
6,764,140	B2 *	7/2004	Carson et al.	299/79.1
6,866,343	B2	3/2005	Holl et al.	

7,086,704	B2	8/2006	Holl et al.	
7,300,115	B2	11/2007	Holl et al.	
D567,270	S *	4/2008	Chiang	D15/140
D574,689	S	8/2008	Holl et al.	
D575,610	S	8/2008	Holl et al.	
7,461,903	B2	12/2008	Tewes et al.	
D585,259	S	1/2009	Holl et al.	
7,475,949	B2 *	1/2009	Helsel et al.	299/108
7,537,288	B2 *	5/2009	Chiang	299/102
7,547,075	B2	6/2009	Tewes et al.	
7,597,402	B2	10/2009	Tewes et al.	

(Continued)

OTHER PUBLICATIONS

U.S. Appl. No. 29/403,708, filed Oct. 10, 2011 to Kammerer et al.

(Continued)

Primary Examiner — Patricia Palasik

(74) *Attorney, Agent, or Firm* — Wadley & Patterson, P.C.;
Lucian Wayne Beavers

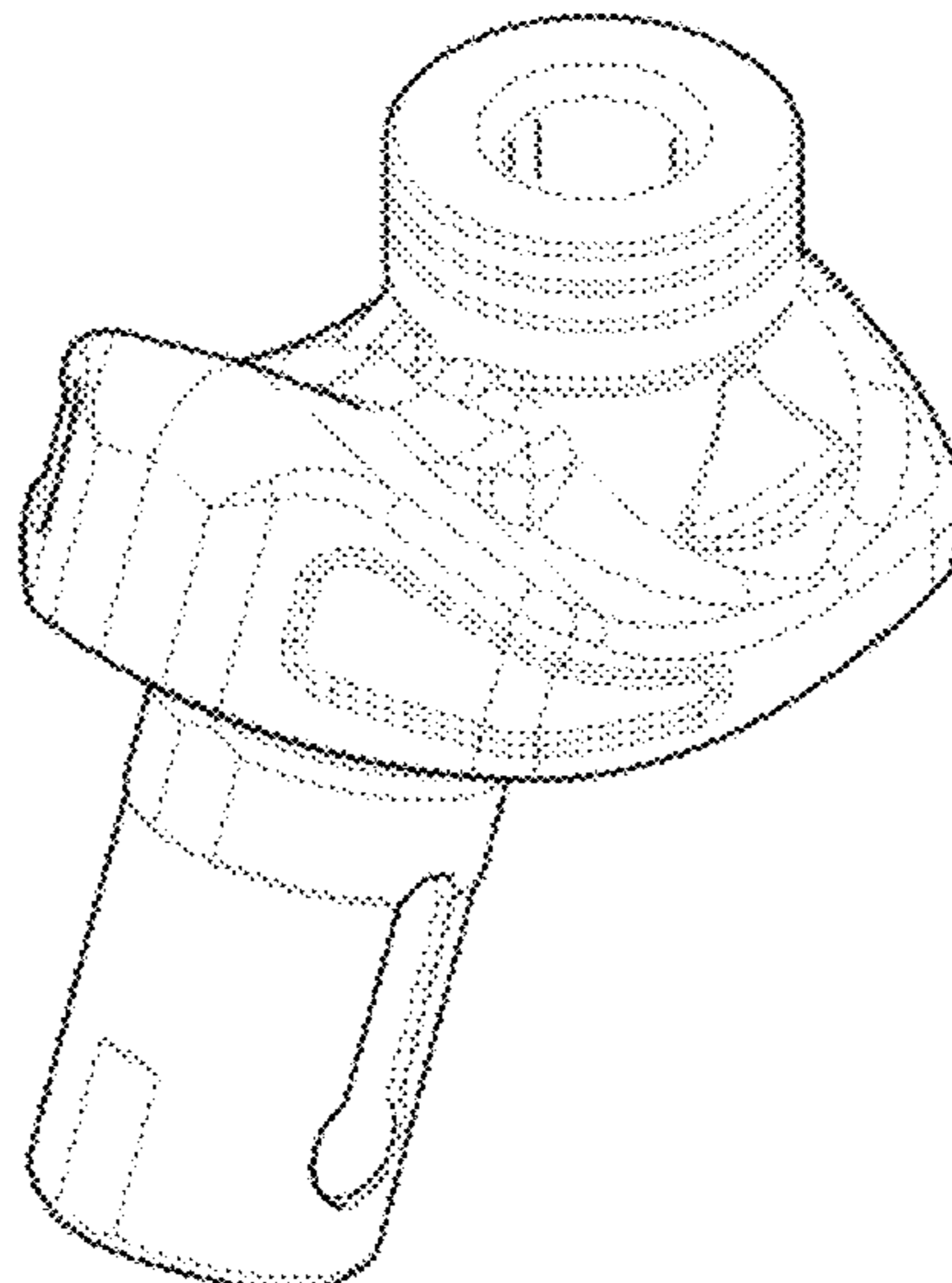
(57) **CLAIM**

What is claimed is the ornamental design for a chisel holder,
as shown and described.

DESCRIPTION

FIG. 1 is a front perspective view of the chisel holder.
FIG. 2 is a right side elevation view of the chisel holder of
FIG. 1.
FIG. 3 is a front elevation view of the chisel holder of FIG. 1.
FIG. 4 is a rear view of the chisel holder of FIG. 1.
FIG. 5 is a bottom elevation view of the chisel holder of FIG.
1.
FIG. 6 is a top view of the chisel holder of FIG. 1; and,
FIG. 7 is a left side elevation view of the chisel holder of FIG.
1.

1 Claim, 4 Drawing Sheets



US D667,854 S

Page 2

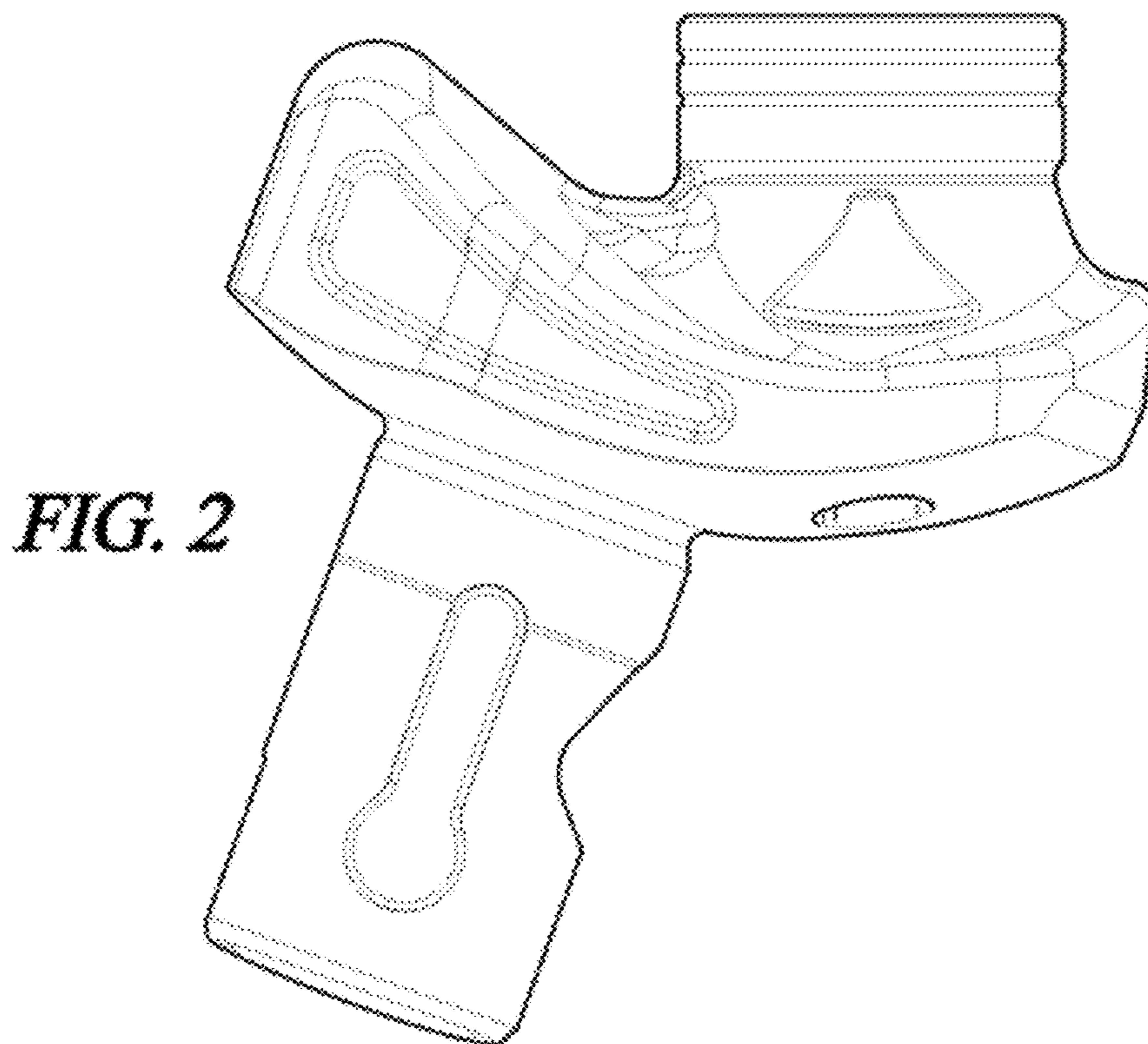
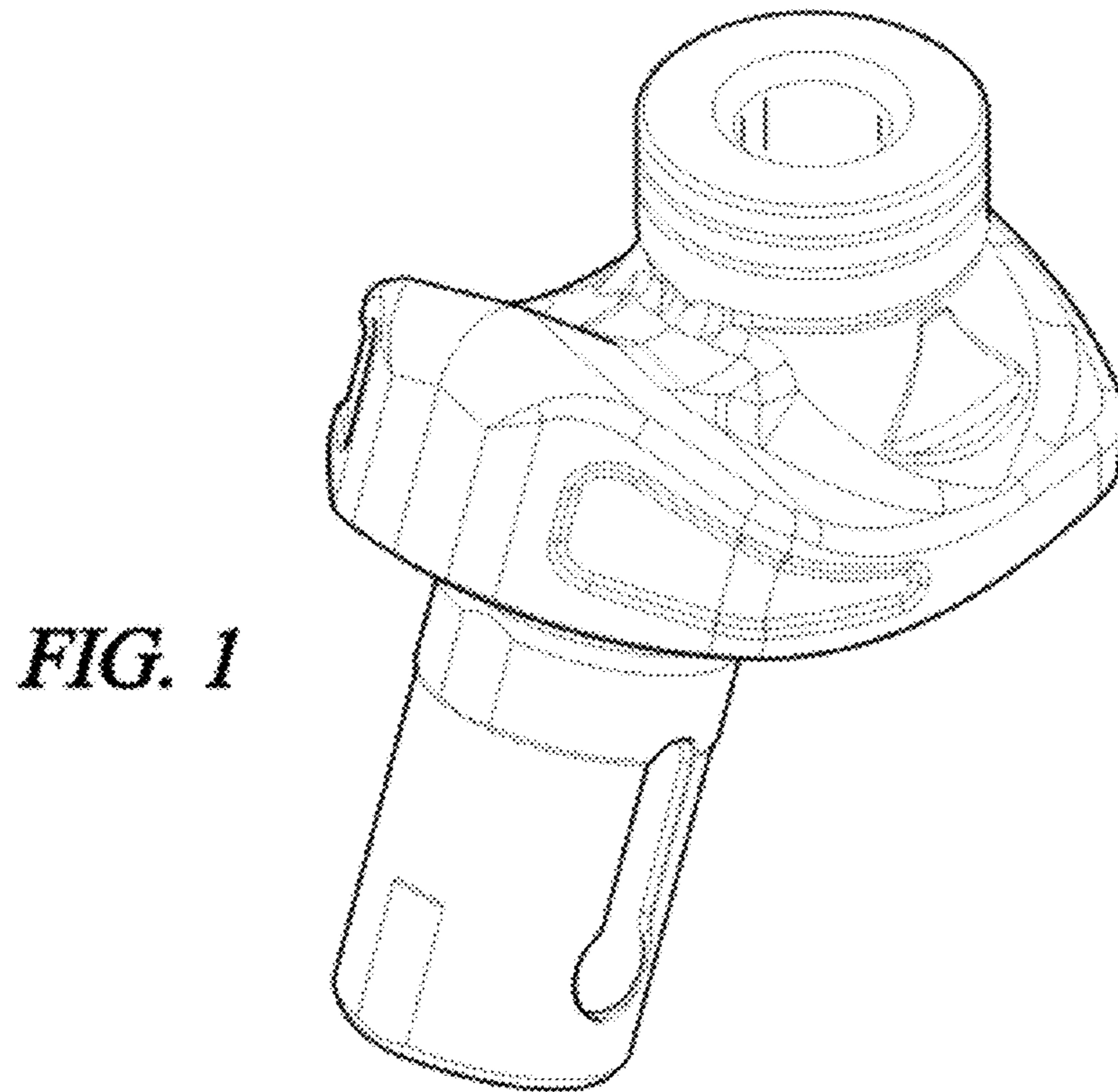
U.S. PATENT DOCUMENTS

7,784,875 B2 8/2010 Holl et al.
7,922,256 B2 4/2011 Kammerer et al.
7,922,257 B2 4/2011 Kammerer
D638,453 S 5/2011 Buhr et al.
8,061,783 B2* 11/2011 Keller et al. 299/102
D657,648 S * 4/2012 Wachsmann D8/71
2006/0119165 A1* 6/2006 Holl et al. 299/106
2009/0085396 A1* 4/2009 Chiang 299/102
2009/0293249 A1 12/2009 Lehnert et al.
2011/0006588 A1* 1/2011 Monyak et al. 299/107
2011/0148178 A1 6/2011 Lehnert et al.
2011/0148179 A1 6/2011 Lehnert et al.

OTHER PUBLICATIONS

U.S. Appl. No. 29/403,711, filed Oct. 10, 2011 to Kammerer et al.
U.S. Appl. No. 29/403,712, filed Oct. 10, 2011 to Kammerer et al.
U.S. Appl. No. 29/403,714, filed Oct. 10, 2011 to Kammerer et al.
Kennametal Inc. brochure entitled "CB10HD Replacement
Toolholdere", 2 pp., 2008.

* cited by examiner



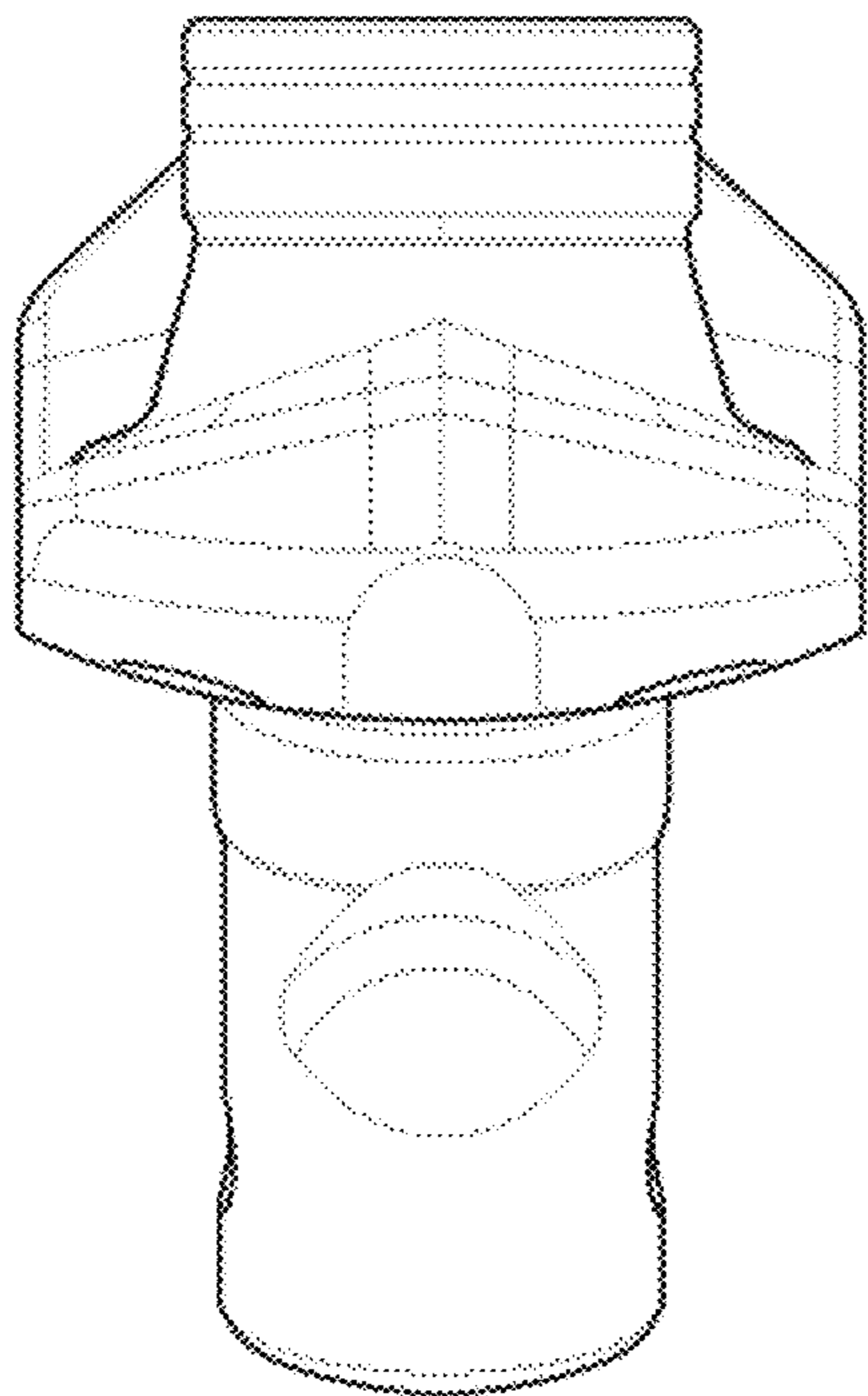


FIG. 3

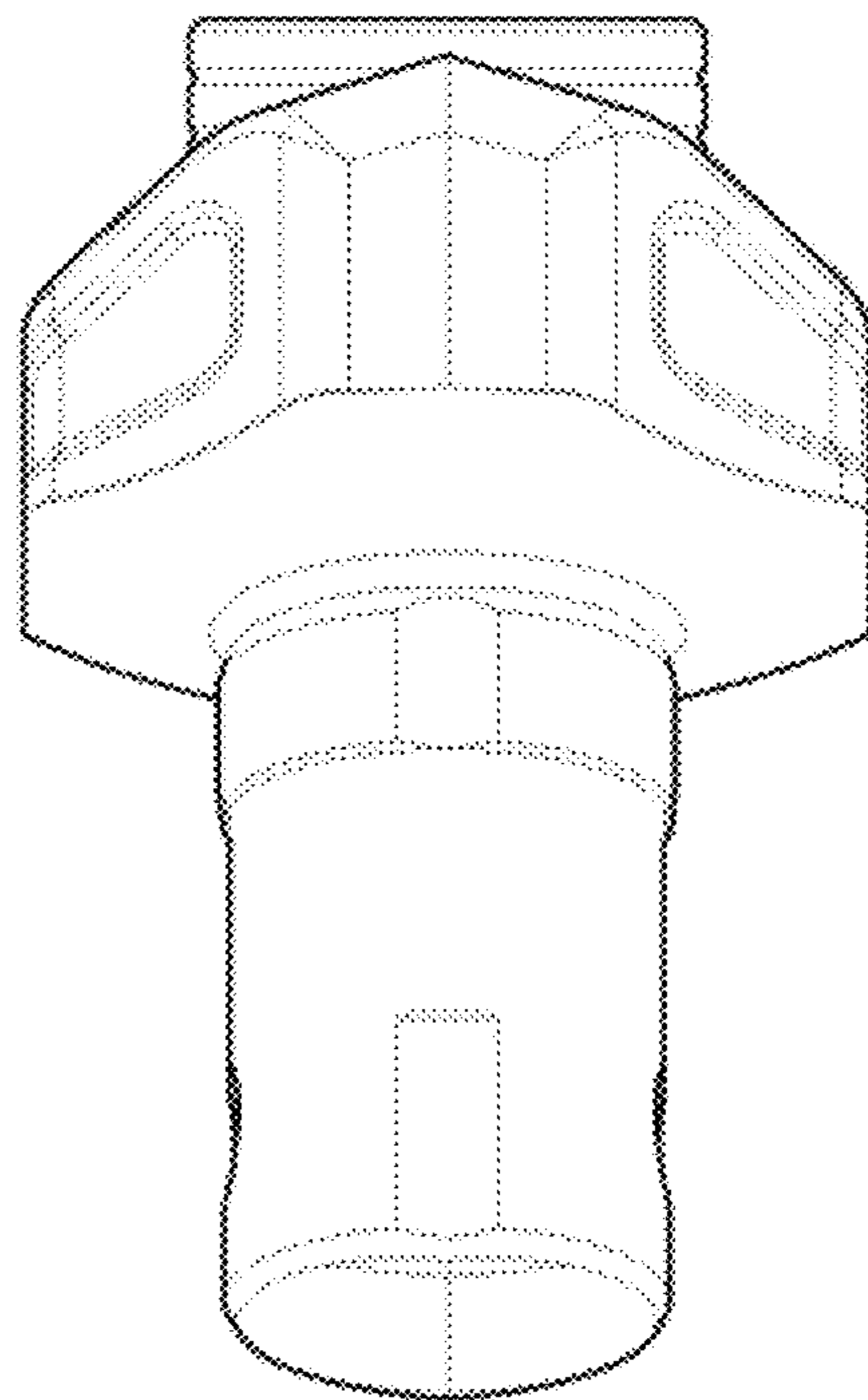


FIG. 4

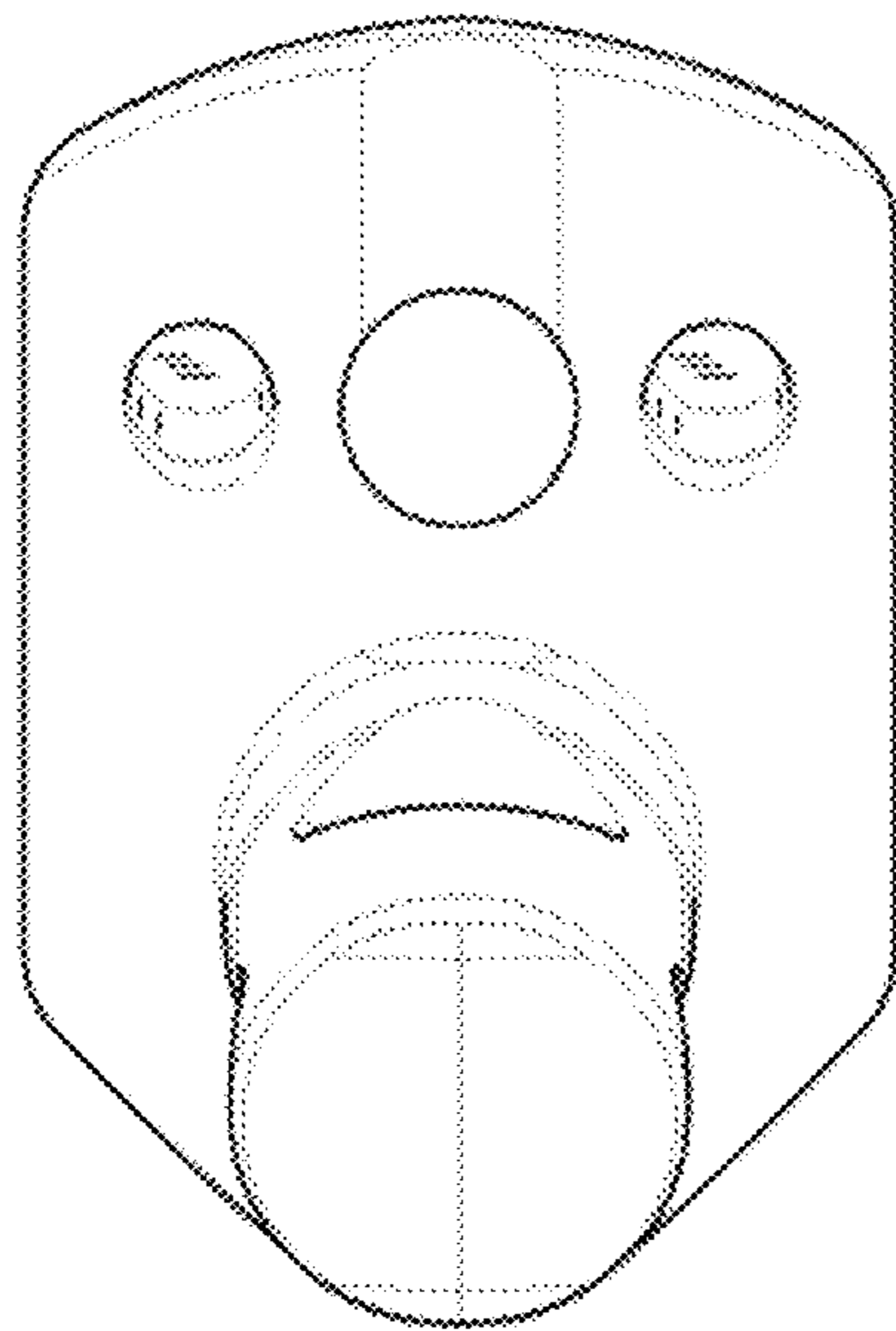


FIG. 5

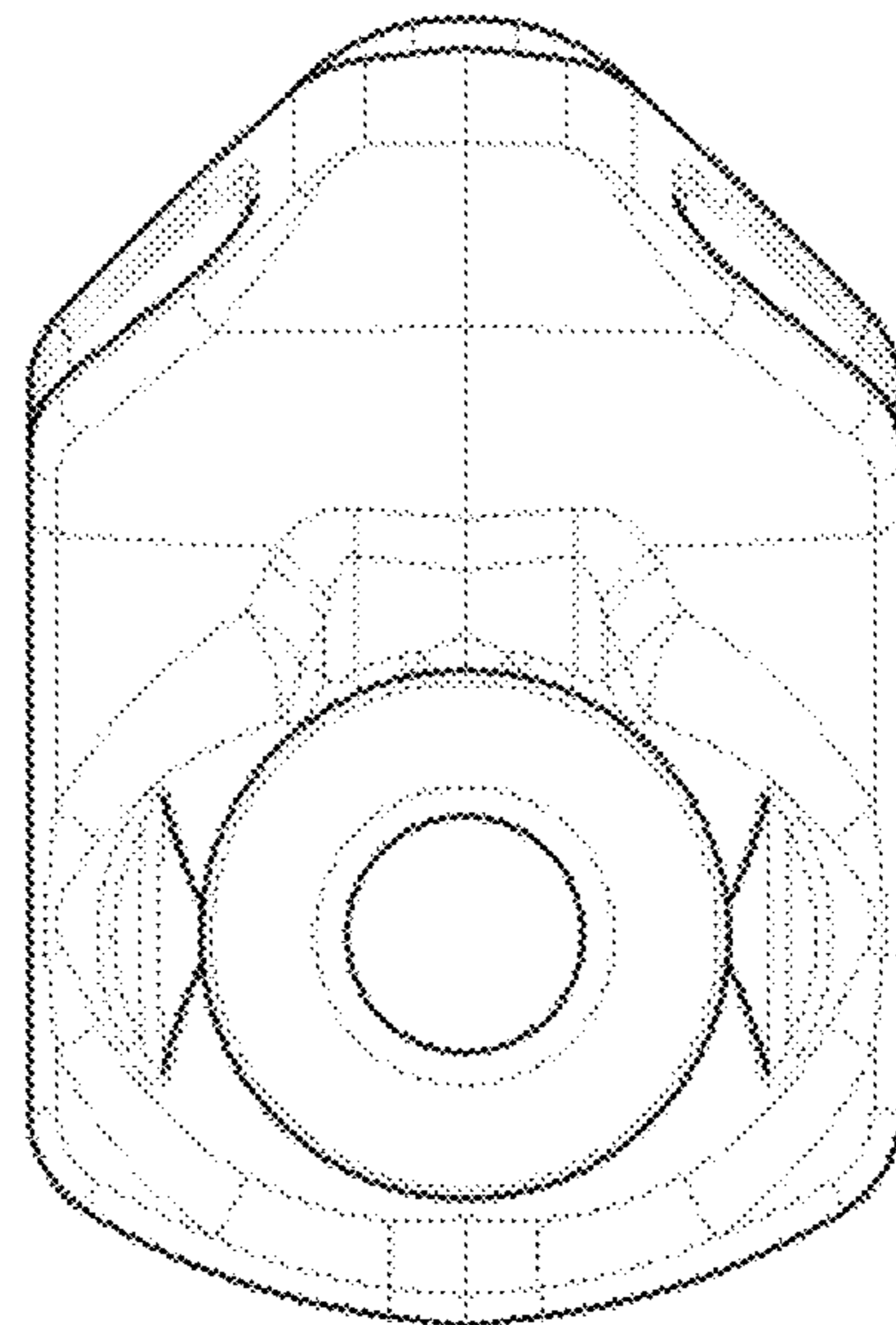


FIG. 6

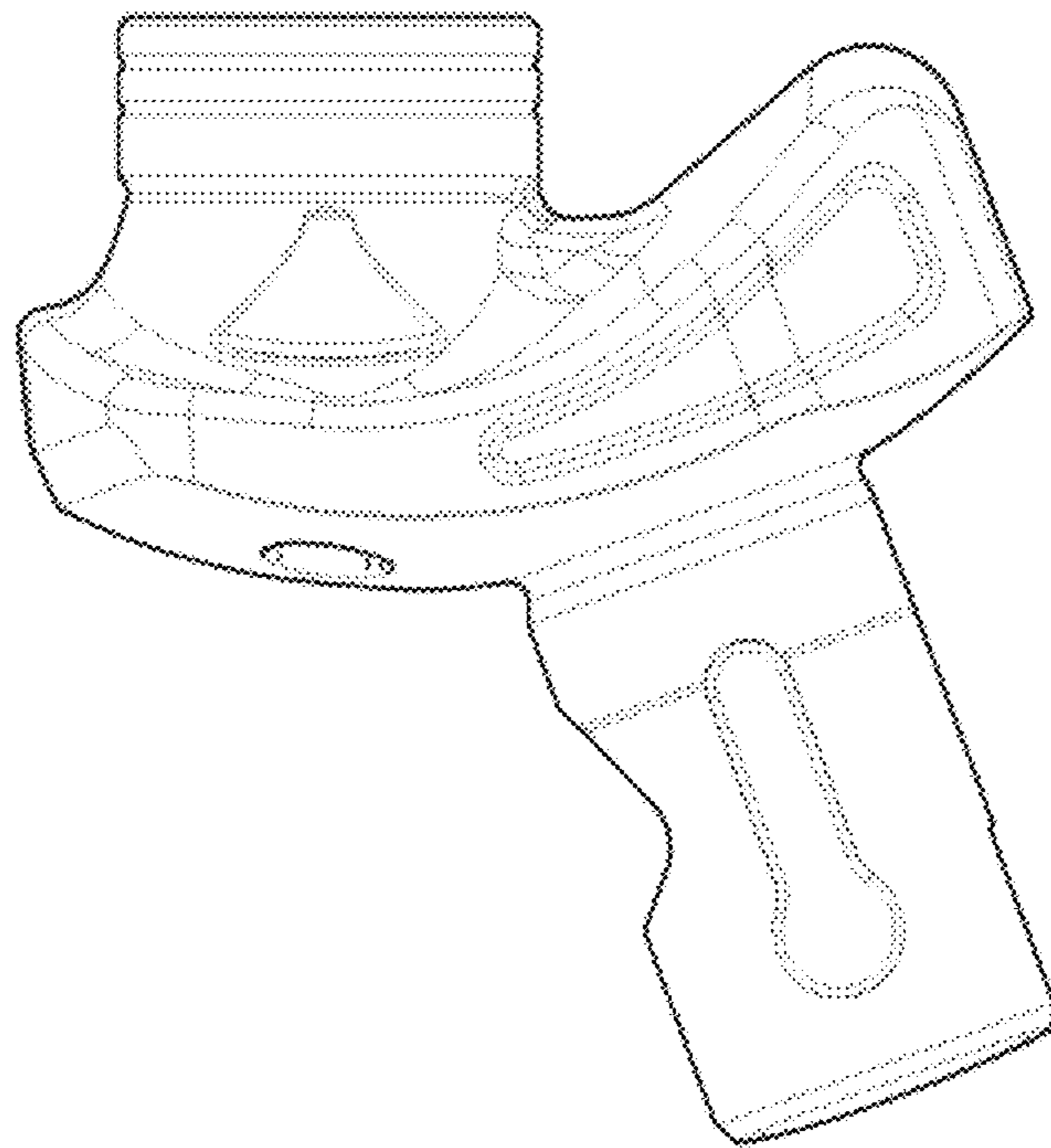


FIG. 7