

US00D667851S

(12) **United States Design Patent**
Warr

(10) **Patent No.:** **US D667,851 S**

(45) **Date of Patent:** **** Sep. 25, 2012**

(54) **CAB MODULE**

(75) **Inventor:** **Owen J. Warr**, Muskego, WI (US)

(73) **Assignee:** **Harnischfeger Technologies, Inc.**,
Wilmington, DE (US)

(**) **Term:** **14 Years**

(21) **Appl. No.:** **29/407,732**

(22) **Filed:** **Dec. 1, 2011**

(51) **LOC (9) Cl.** **15-03**

(52) **U.S. Cl.** **D15/30**

(58) **Field of Classification Search** D15/10,
D15/22-26, 28, 30, 31; 180/89.11, 89.12,
180/89.13, 89.19, 900; 296/190.01, 190.08,
296/210, 190, 202

See application file for complete search history.

(56) **References Cited**

U.S. PATENT DOCUMENTS

D249,523	S	*	9/1978	Segales	D15/30
4,278,144	A		7/1981	Perin		
4,344,356	A		8/1982	Casterton et al.		
D273,494	S	*	4/1984	Hurlburt et al.	D15/30
D275,199	S	*	8/1984	Schmidt et al.	D15/30
4,480,867	A		11/1984	Ezell et al.		
4,492,151	A		1/1985	Mattei		
4,612,975	A		9/1986	Ikari		
4,616,725	A		10/1986	McDaniel		
D288,206	S	*	2/1987	Moscovitch	D15/30
D292,632	S	*	11/1987	Lich	D34/37
4,771,855	A		9/1988	Takashima et al.		
4,846,529	A		7/1989	Tulley		
D323,659	S	*	2/1992	Jacobsson	D15/30
5,275,255	A		1/1994	Huntley et al.		
5,308,279	A		5/1994	Grinberg		

D348,270	S	*	6/1994	Lehmann-Brendel et al.	D15/30
D366,267	S	*	1/1996	Lepoix D15/30
5,890,764	A		4/1999	Lee	
5,992,156	A		11/1999	Isobe et al.	

(Continued)

FOREIGN PATENT DOCUMENTS

GB 1022623 3/1966

OTHER PUBLICATIONS

PCT/US11/26646 International Search Report and Written Opinion dated Apr. 13, 2011 (13 pages).

(Continued)

Primary Examiner — Mark Goodwin

(74) *Attorney, Agent, or Firm* — Michael Best & Friedrich LLP

(57) **CLAIM**

I claim the ornamental design for a cab module, as shown and described.

DESCRIPTION

FIG. 1 is a perspective view of a cab module showing my new design.

FIG. 2 is a front view of the cab module shown in FIG. 1.

FIG. 3 is a rear view of the cab module shown in FIG. 1.

FIG. 4 is a right side view of the cab module shown in FIG. 1.

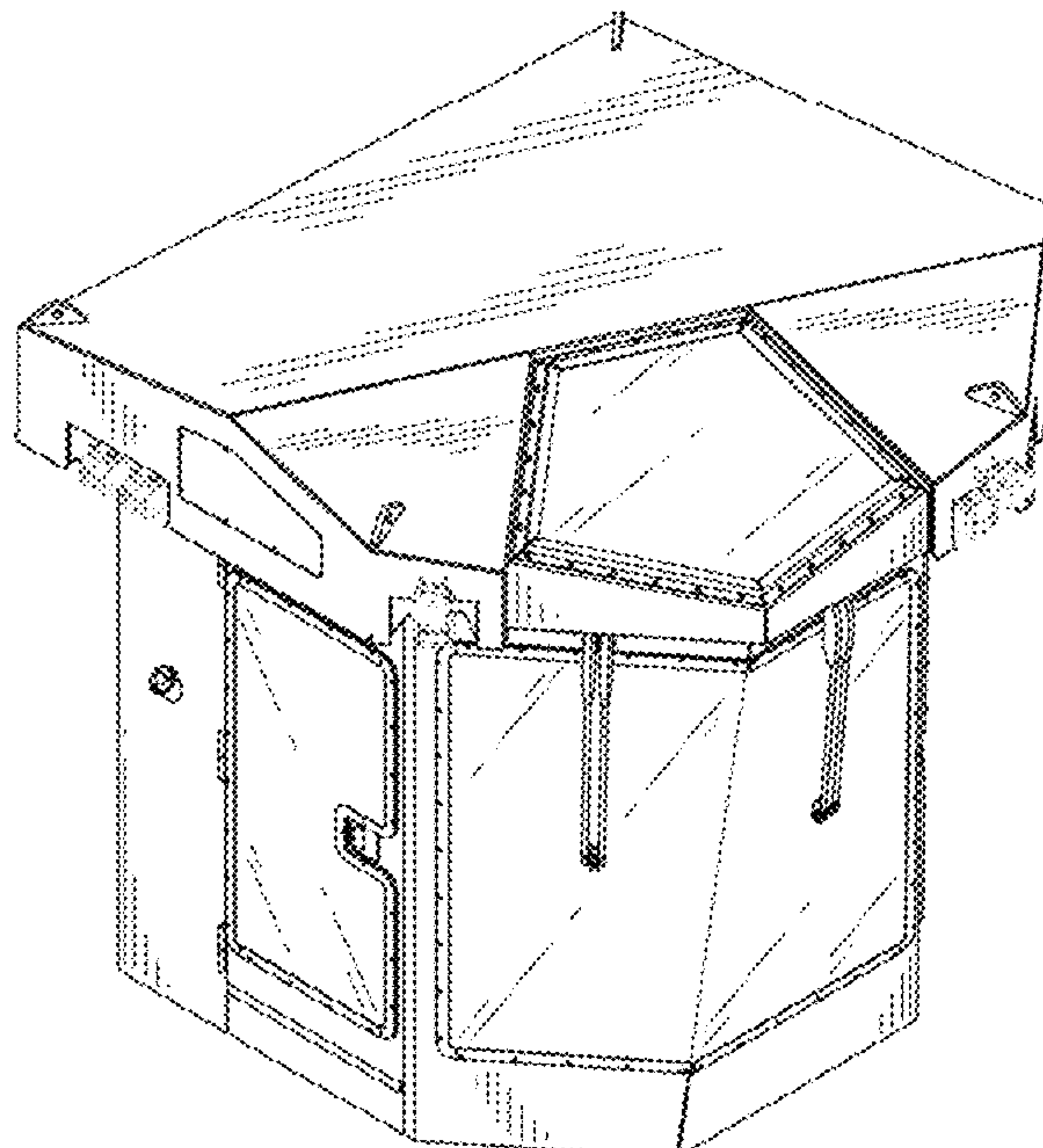
FIG. 5 is a left side view of the cab module shown in FIG. 1.

FIG. 6 is a top view of the cab module shown in FIG. 1; and,

FIG. 7 is a bottom view of the cab module shown in FIG. 1.

The broken line showing of surface features is included for the purpose of illustrating portions of the cab module and forms no part of the claimed design.

1 Claim, 7 Drawing Sheets



US D667,851 S

Page 2

U.S. PATENT DOCUMENTS

6,012,295 A 1/2000 Isobe et al.
6,022,182 A 2/2000 Everett
6,186,573 B1 2/2001 Thurab
6,196,308 B1 3/2001 Halligan
D463,462 S * 9/2002 Yanagida et al. D15/30
6,543,848 B1 4/2003 Suga et al.
6,557,919 B2 5/2003 Suga et al.
6,572,172 B1 6/2003 Ninomiya et al.
6,578,854 B2 6/2003 Wucherpennig et al.
D479,536 S * 9/2003 Dahl et al. D15/30
6,684,969 B1 2/2004 Flowers et al.
6,755,270 B2 6/2004 Saarinen
D497,920 S * 11/2004 Antonetti D15/30
6,955,239 B2 10/2005 Ueda et al.
6,981,746 B2 1/2006 Chung et al.
7,036,883 B1 5/2006 Thompson et al.
D523,029 S * 6/2006 Crawford et al. D15/30
7,059,680 B2 6/2006 Billger et al.
7,069,736 B2 7/2006 Kamimae et al.
7,083,019 B2 8/2006 Chiou et al.
D528,134 S * 9/2006 Vandendriessche et al. .. D15/30
D531,647 S * 11/2006 Stender et al. D15/30
7,159,687 B2 1/2007 Dunn et al.
D541,825 S * 5/2007 Pettersson D15/30
D541,826 S * 5/2007 Brush et al. D15/30
7,294,181 B1 11/2007 Smith

D561,205 S * 2/2008 Pettersson D15/30
7,347,299 B2 3/2008 Billger et al.
D579,028 S * 10/2008 VanDeVeer et al. D15/30
7,434,863 B2 10/2008 Hamazaki et al.
7,520,567 B2 4/2009 Billger et al.
7,575,276 B1 8/2009 Henry
D605,207 S * 12/2009 Menges et al. D15/30
7,681,630 B2 3/2010 Klassen et al.
D614,674 S * 4/2010 Hobenshield et al. D15/30
D635,156 S * 3/2011 Berning et al. D15/30
D636,795 S * 4/2011 Yamamoto et al. D15/30
D637,630 S * 5/2011 Yamamoto et al. D15/30
D642,205 S * 7/2011 Yamamoto et al. D15/30
2003/0070900 A1 4/2003 Elwell
2006/0061122 A1 3/2006 Billger et al.
2006/0144634 A1 7/2006 Portscheller et al.
2009/0276122 A1 11/2009 Demong et al.
2010/0300796 A1 12/2010 Ryan et al.

OTHER PUBLICATIONS

Peterson et al., U.S. Appl. No. 13/037,878, filed Mar. 1, 2011.
Krellner et al., U.S. Appl. No. 13/369,622, filed Feb. 9, 2012.
Buchsbaum, "Foresight Energy Invests in Illinois: The Cline Group constructs four underground coal mining complexes," Coal Age, Dec. 2010.

* cited by examiner

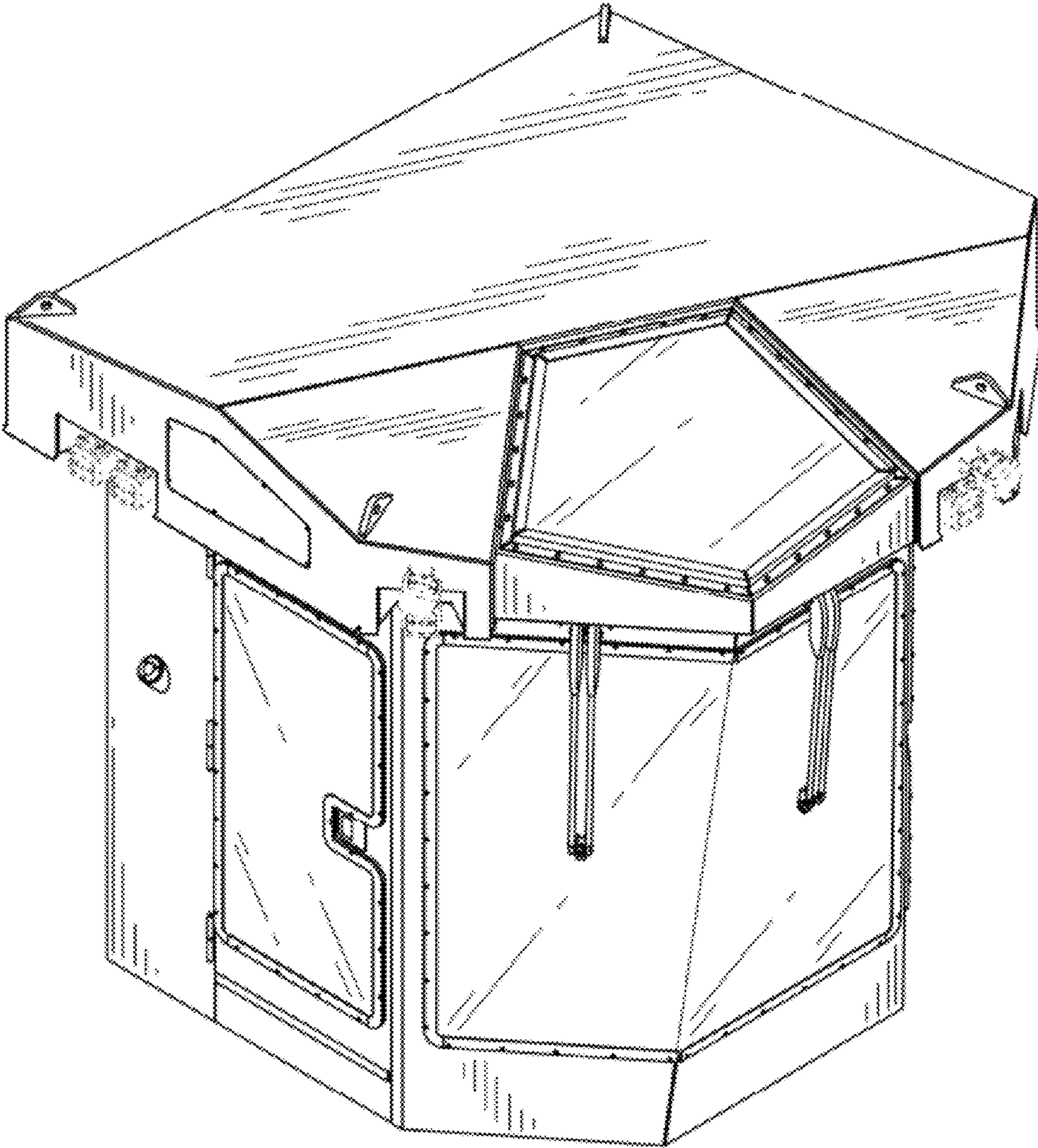


FIG. 1

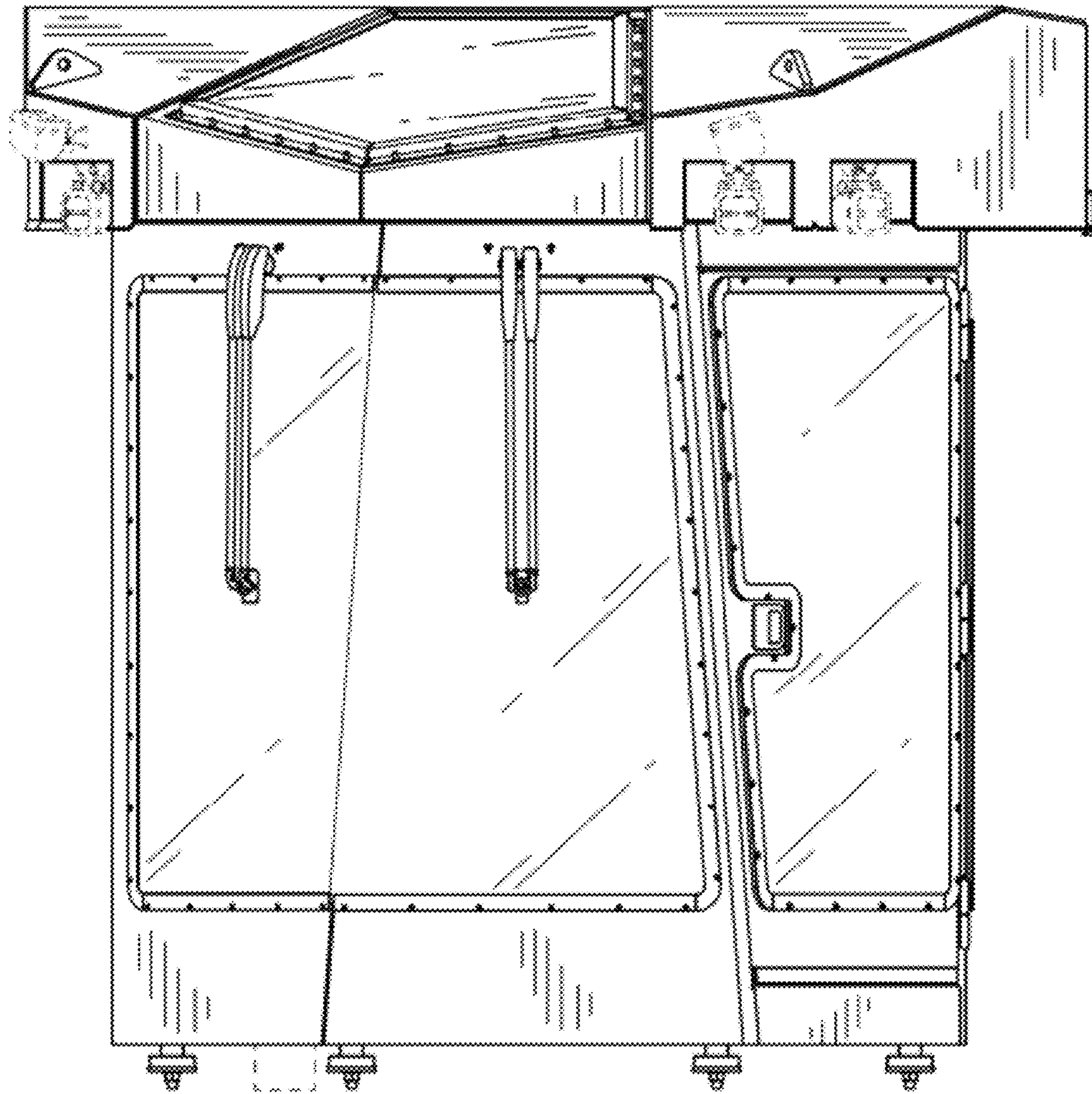


FIG. 2

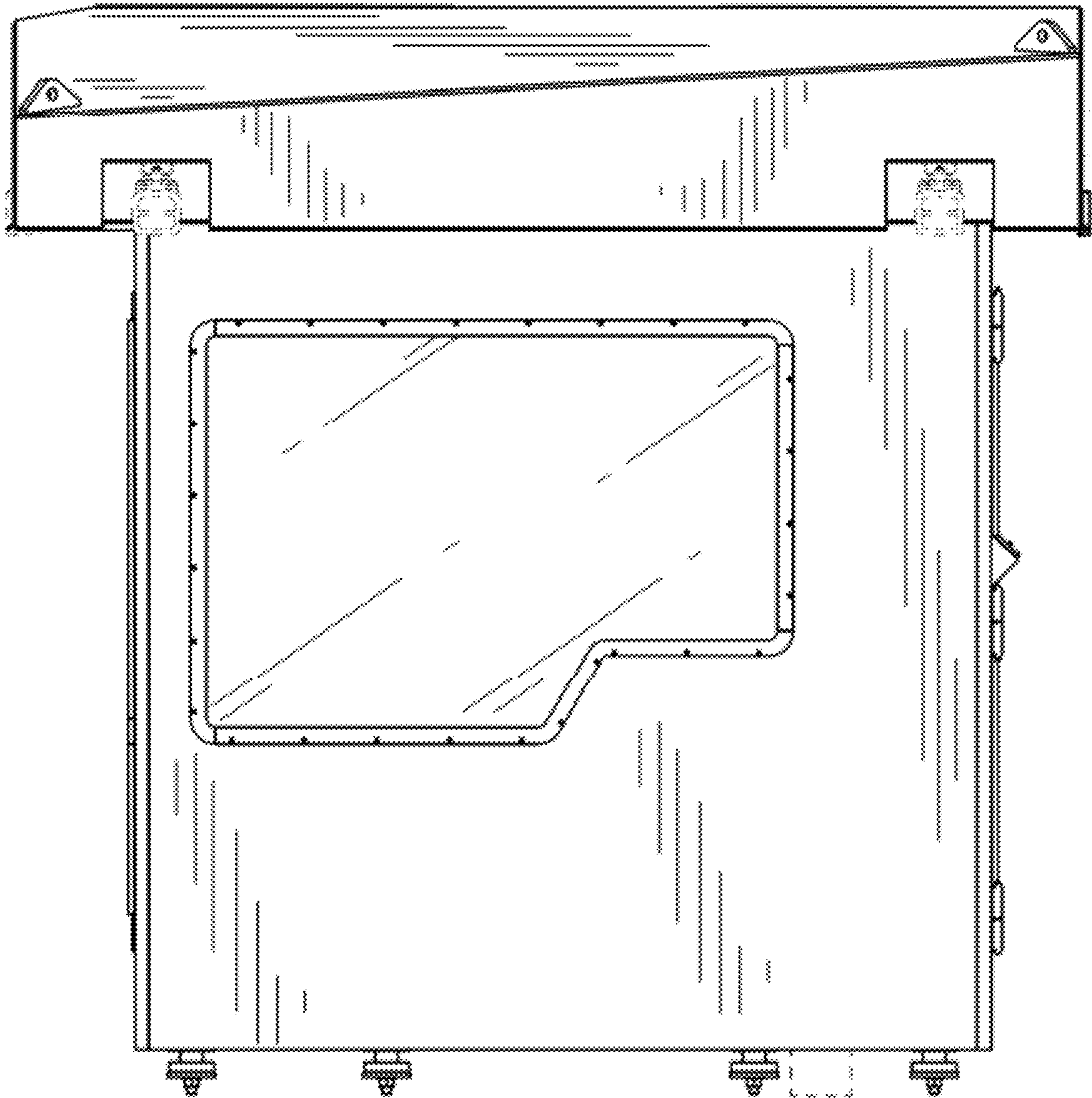


FIG. 3

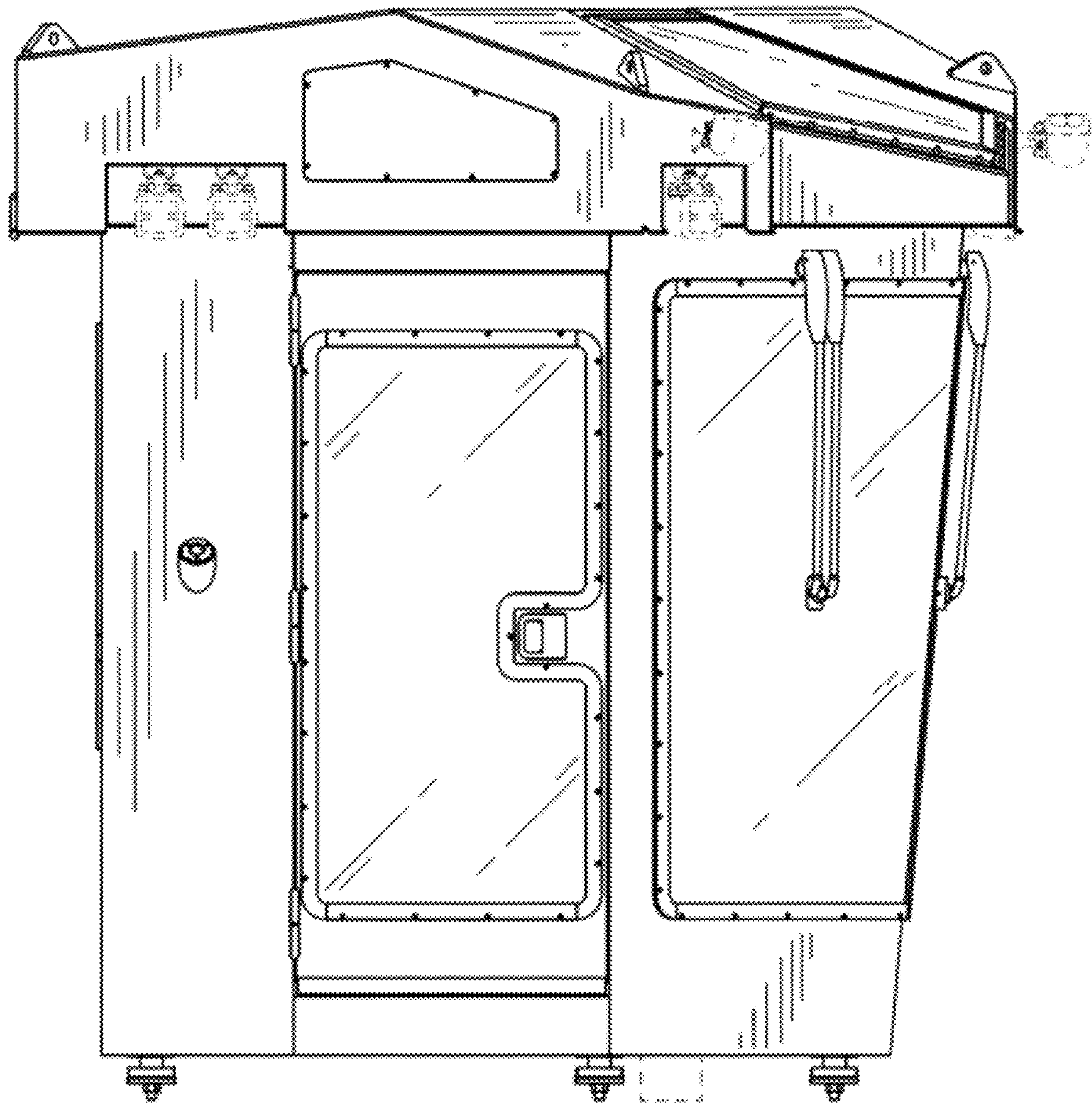


FIG. 4

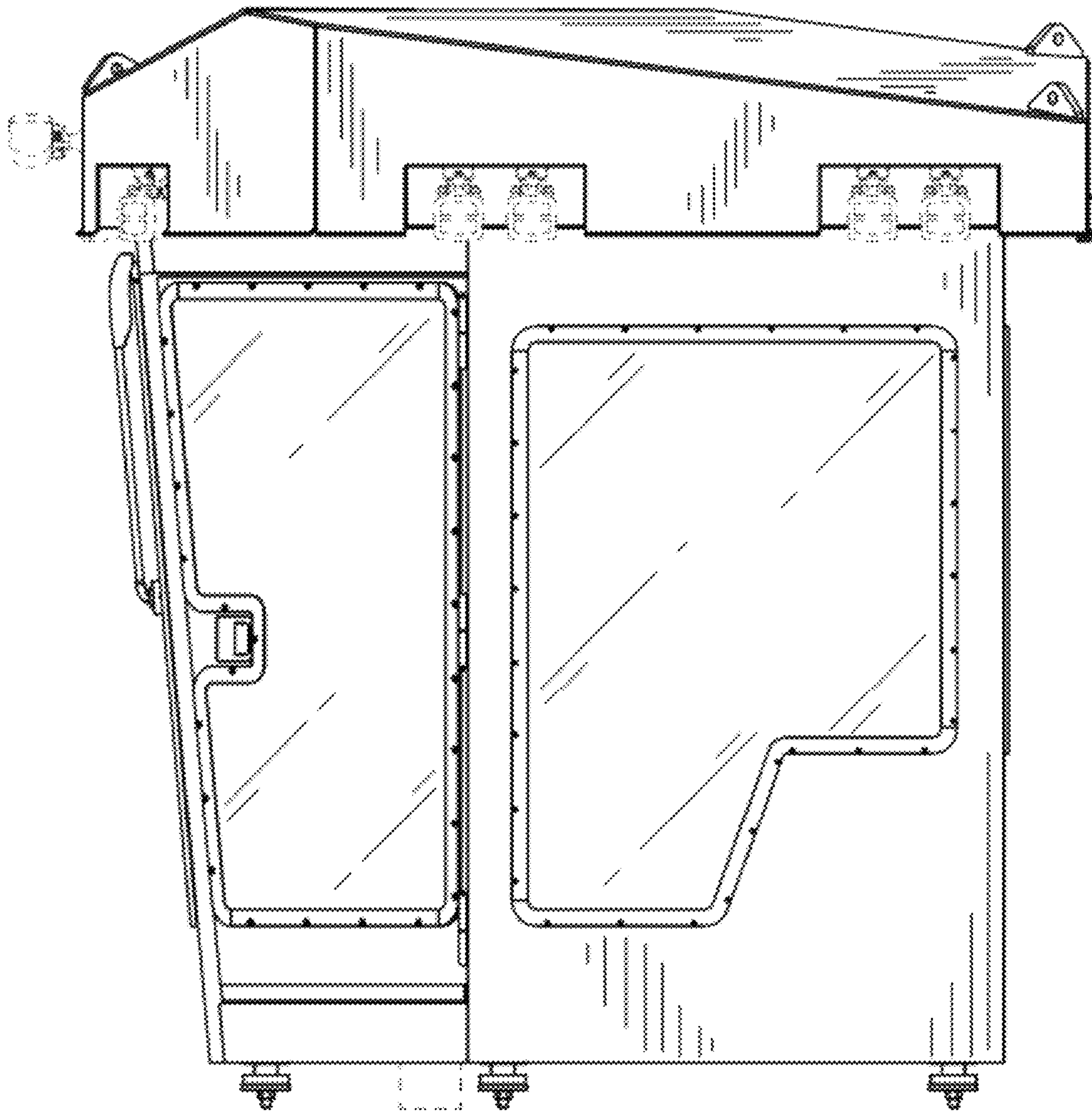


FIG. 5

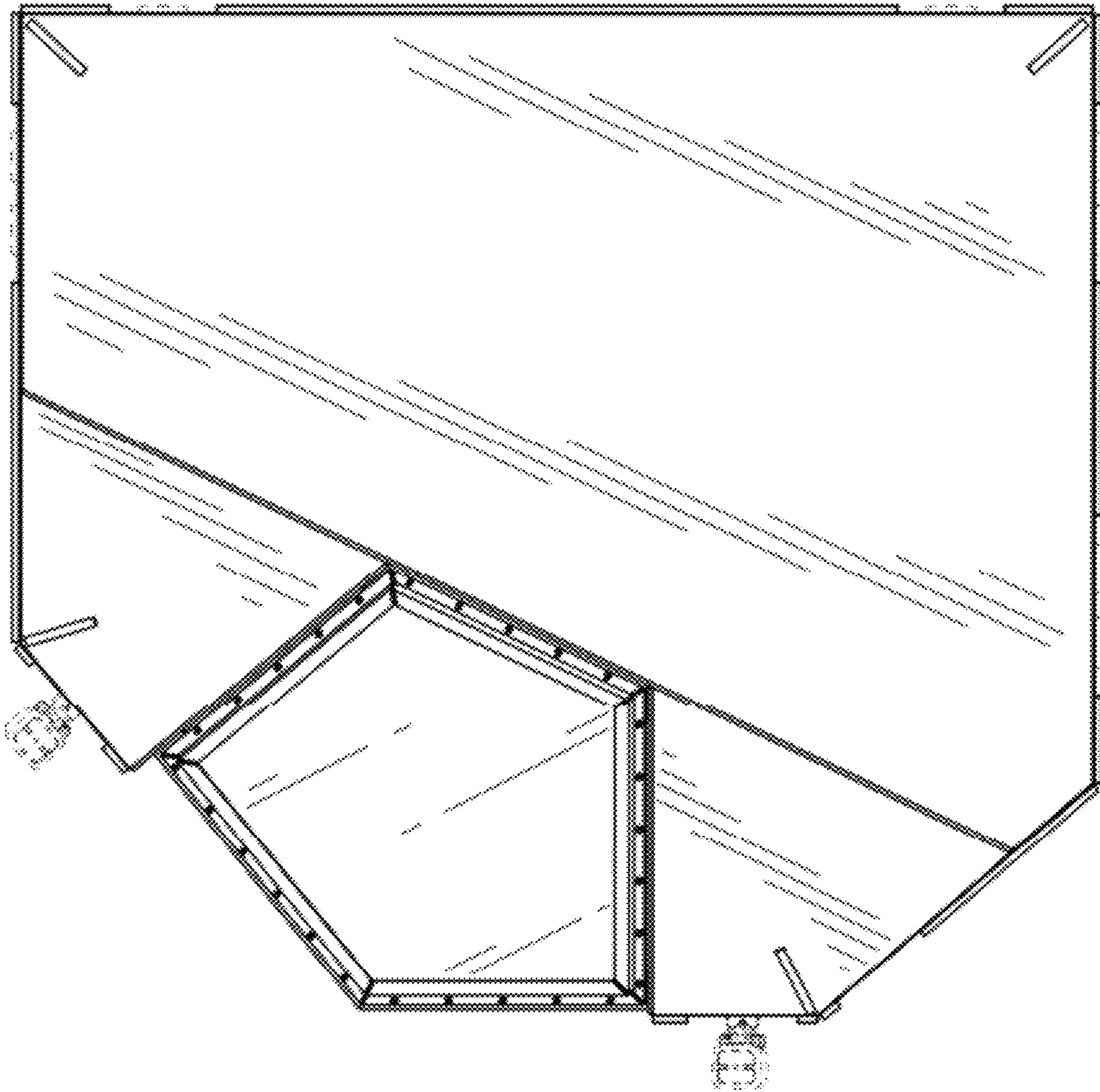


FIG. 6

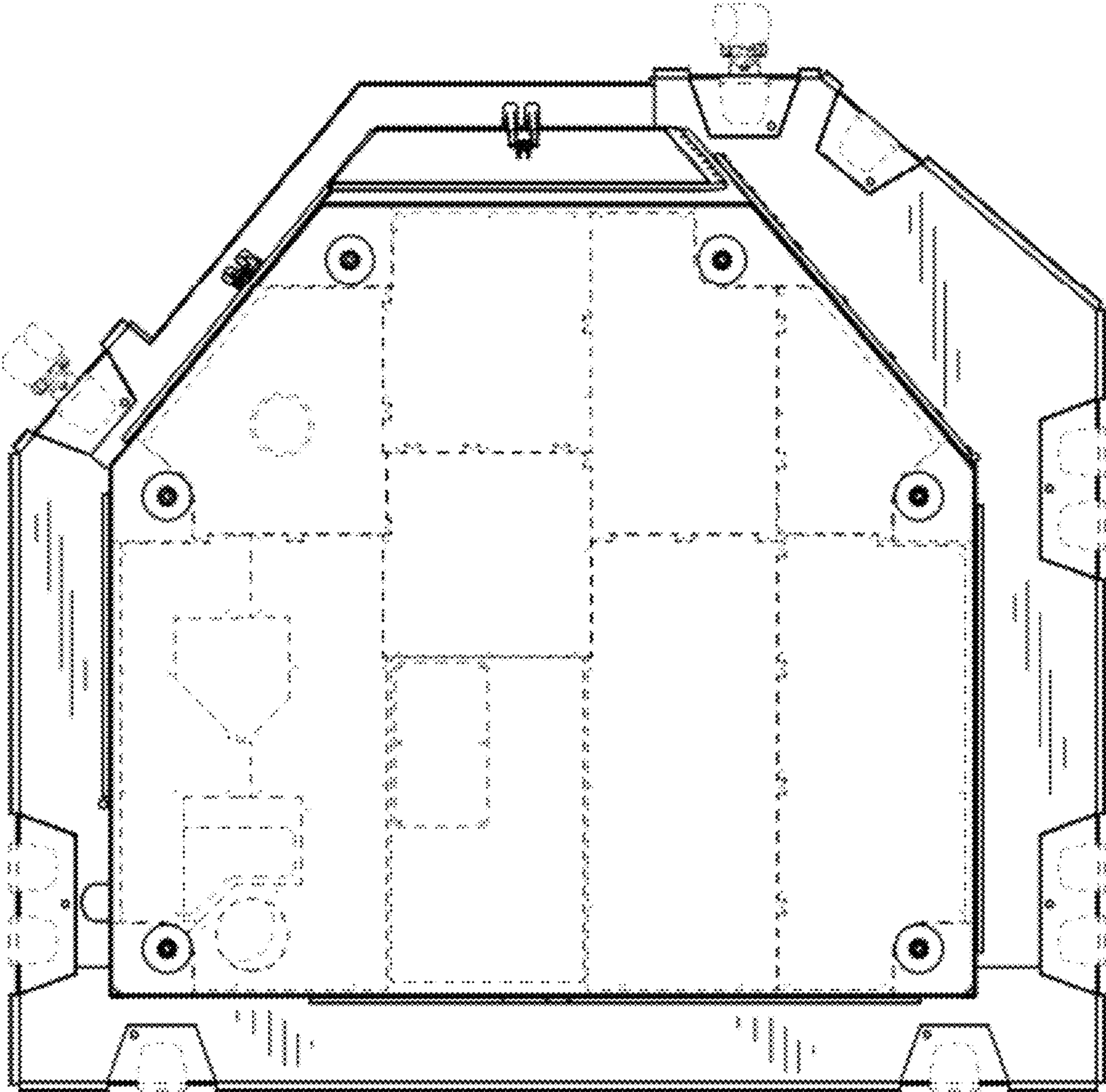


FIG. 7