



US00D667850S

(12) **United States Design Patent**
Wood et al.

(10) **Patent No.:** **US D667,850 S**
(45) **Date of Patent:** **** Sep. 25, 2012**

- (54) **GRAIN AUGER HOUSING HAVING AN ASKEWED DISCHARGE OUTLET ATTACHMENT**
- (75) Inventors: **James E. Wood**, Fort Recovery, OH (US); **Joshua P. Gaerke**, Fort Recovery, OH (US)
- (73) Assignee: **J. & M. Manufacturing Co., Inc.**, Fort Recovery, OH (US)
- (**) Term: **14 Years**
- (21) Appl. No.: **29/395,532**
- (22) Filed: **Feb. 13, 2012**
- (51) **LOC (9) Cl.** **15-03**
- (52) **U.S. Cl.** **D15/28**
- (58) **Field of Classification Search** D15/10, D15/11, 17, 27, 28; 414/345, 523, 335, 505; 198/536, 641, 671, 531, 550.1, 550.4, 534, 198/506; 56/219, 16, 6, 16.6, 153, 320.2, 56/13.3; 460/114, 119, 115, 111
See application file for complete search history.

6,497,546	B2 *	12/2002	Wood et al.	414/523
6,776,569	B1 *	8/2004	McMahon et al.	414/505
7,134,830	B2 *	11/2006	Wood	414/523
7,350,872	B2 *	4/2008	Wood	298/18
7,494,409	B2 *	2/2009	Voss et al.	460/114
7,543,365	B2 *	6/2009	Van Mill et al.	29/407.02
7,584,836	B2 *	9/2009	McCully et al.	198/671
D619,627	S *	7/2010	Budde	D15/28
8,047,757	B1 *	11/2011	Wood	414/523
2001/0026755	A1 *	10/2001	Wood et al.	414/523
2004/0184905	A1 *	9/2004	Kinzenbaw et al.	414/526
2008/0092503	A1 *	4/2008	Voss et al.	56/16.6
2008/0149463	A1 *	6/2008	McCully et al.	198/531
2009/0113866	A1 *	5/2009	Haffert	56/13.3
2009/0272619	A1 *	11/2009	Leal et al.	193/4
2010/0209223	A1 *	8/2010	Van Mill et al.	414/526
2011/0164952	A1 *	7/2011	Hollenberg	414/523

* cited by examiner

Primary Examiner — Mark Goodwin

(74) *Attorney, Agent, or Firm* — Jacox, Meckstroth & Jenkins

(57) **CLAIM**

The ornamental design of a grain auger housing having an askewed discharge outlet attachment, as shown and described.

DESCRIPTION

FIG. 1 is a perspective view of a grain auger housing having an askewed discharge outlet attachment, showing my new design;
FIG. 2 is a front perspective view thereof;
FIG. 3 is a rear perspective view thereof;
FIG. 4 is a top and front perspective view thereof; and,
FIG. 5 is a bottom and rear perspective view thereof.

1 Claim, 3 Drawing Sheets

(56) **References Cited**

U.S. PATENT DOCUMENTS

D223,466	S *	4/1972	Fell	D15/26
4,415,303	A *	11/1983	Westendorf et al.	414/519
4,846,621	A *	7/1989	Warsaw	414/526
5,100,281	A *	3/1992	Grieshop	414/526
5,340,265	A *	8/1994	Grieshop	414/526
5,348,138	A *	9/1994	Seemann	198/671
5,409,344	A *	4/1995	Tharaldson	414/505
5,655,872	A *	8/1997	Plotkin	414/526
6,296,435	B1 *	10/2001	Wood et al.	414/523

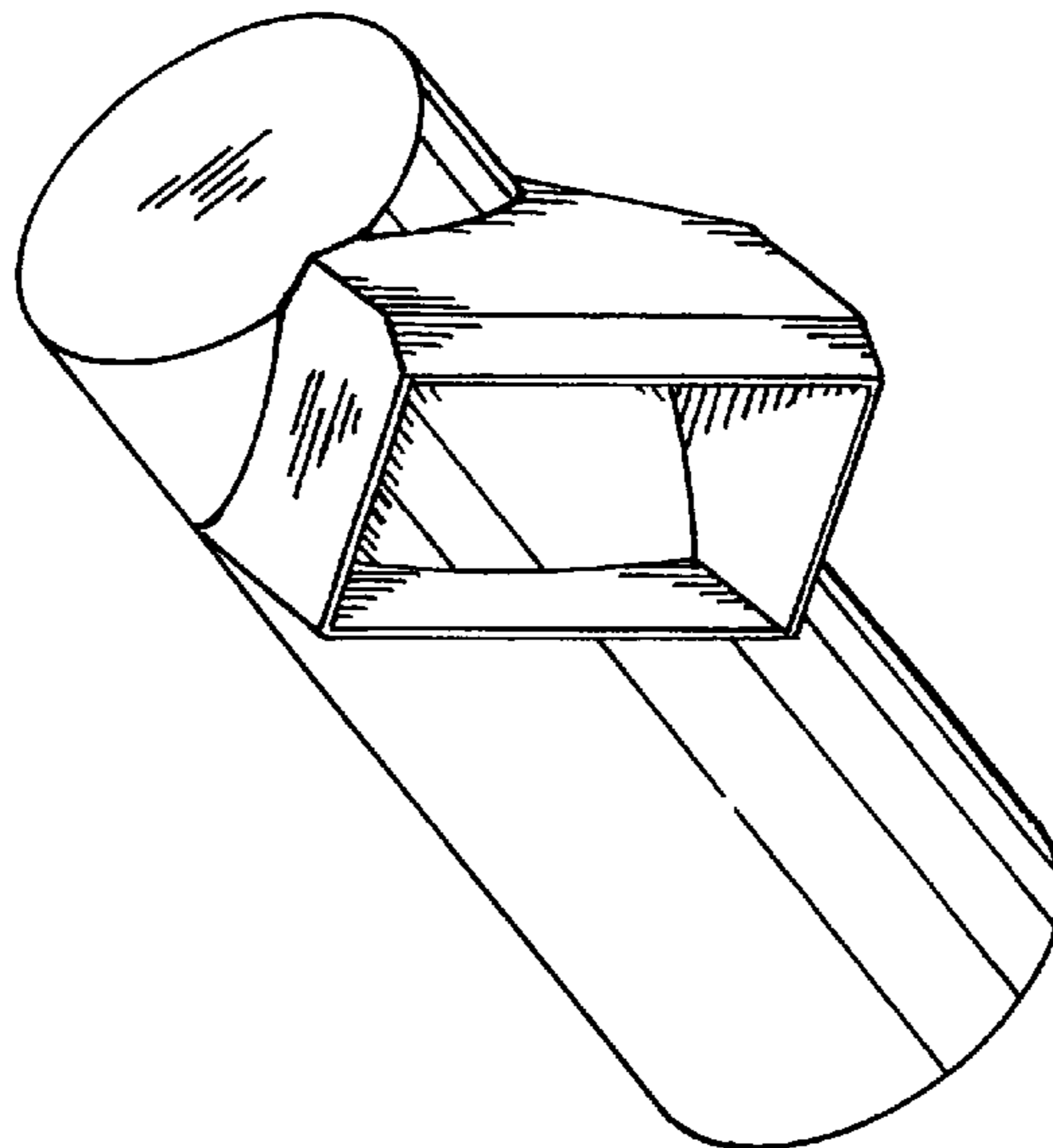


FIG. 1

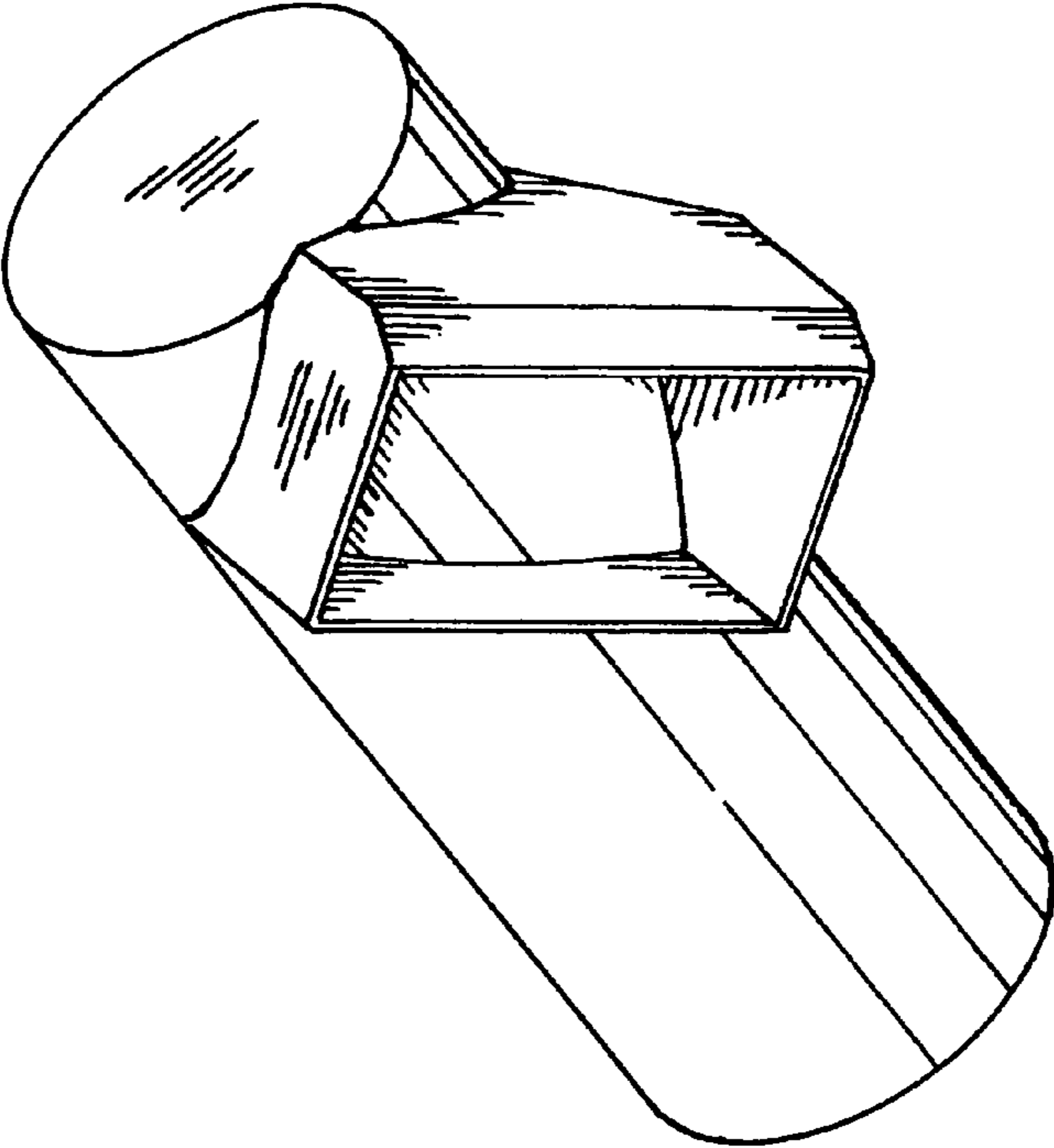


FIG. 2

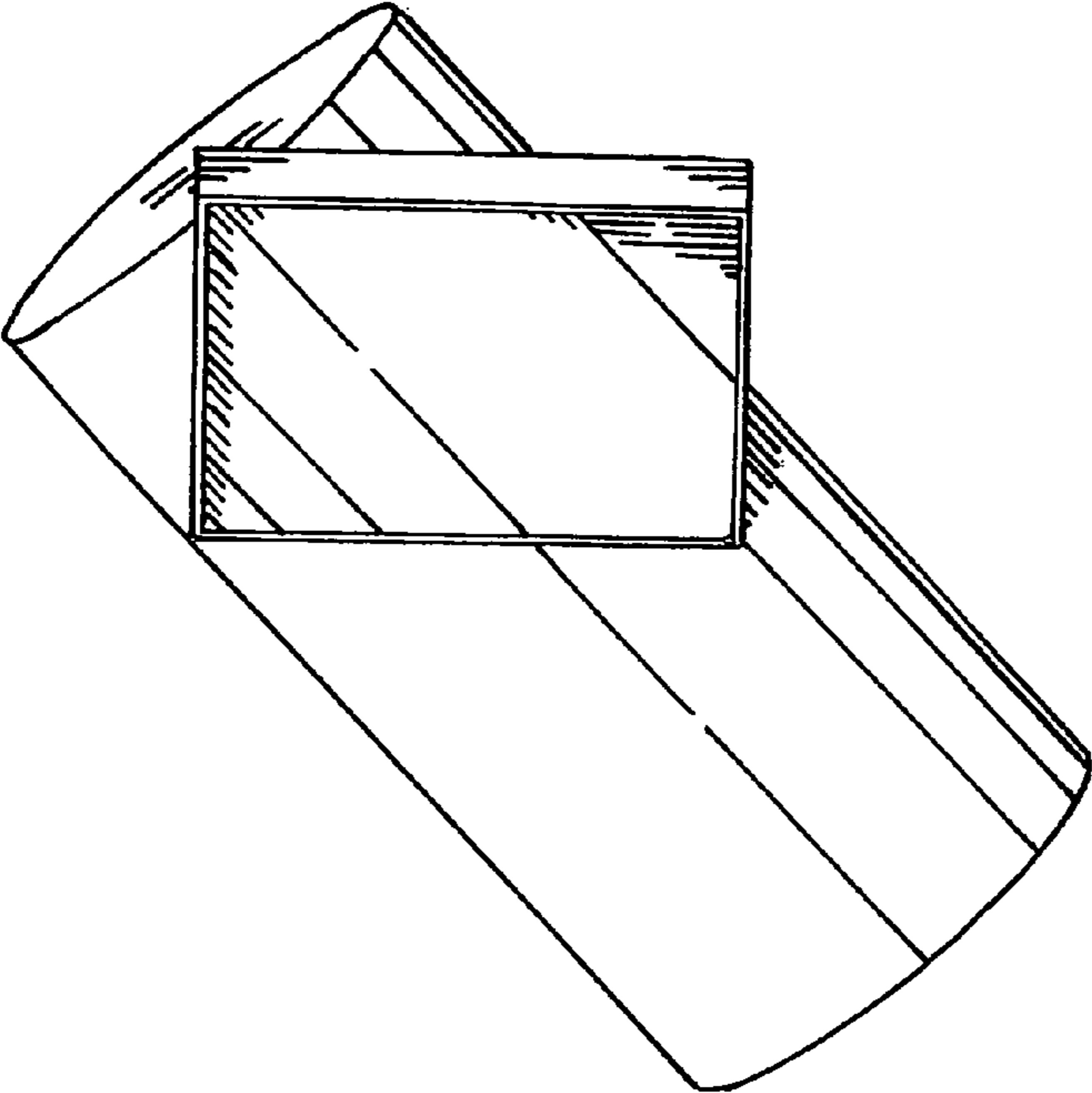


FIG. 3

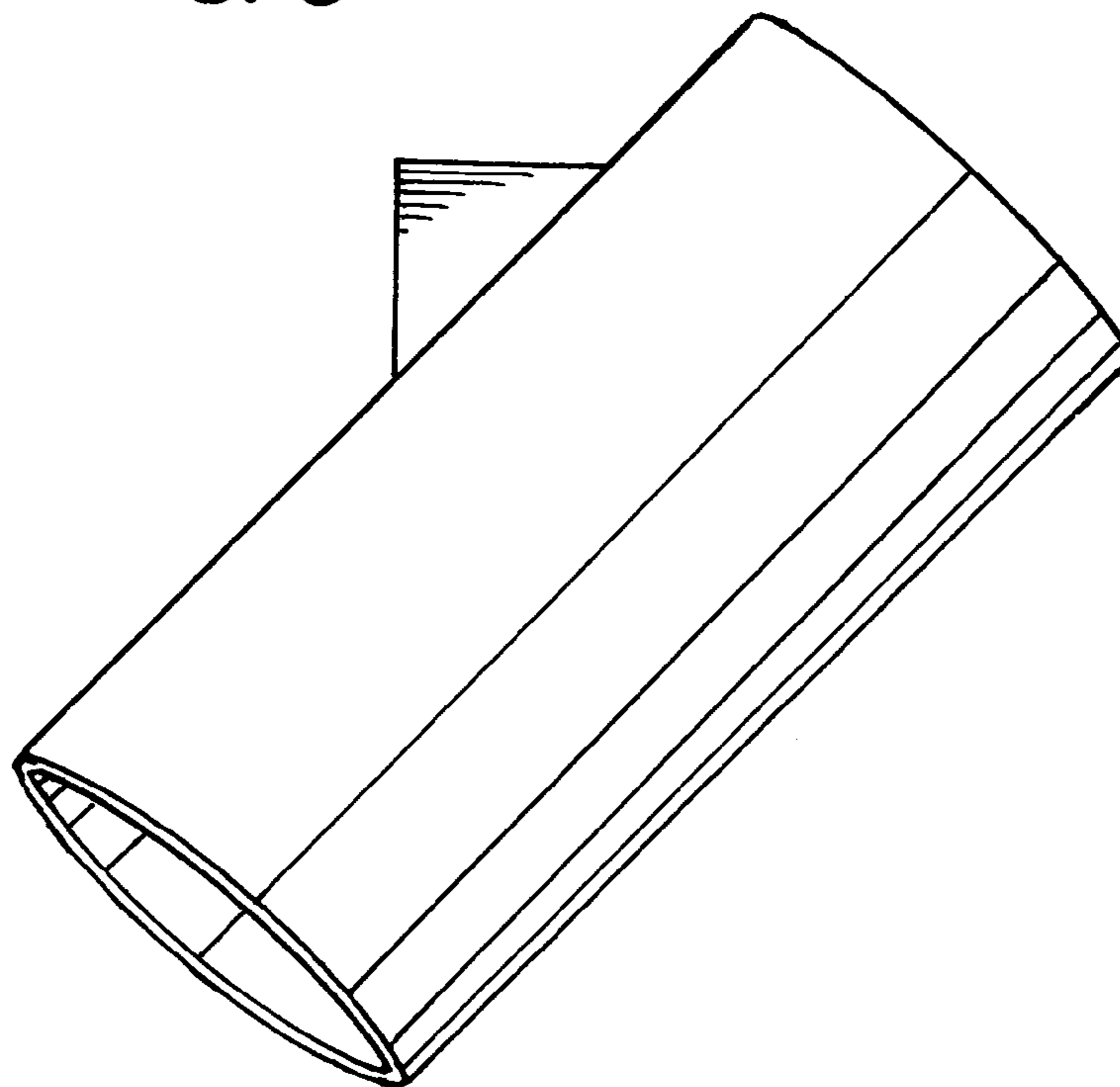


FIG. 4

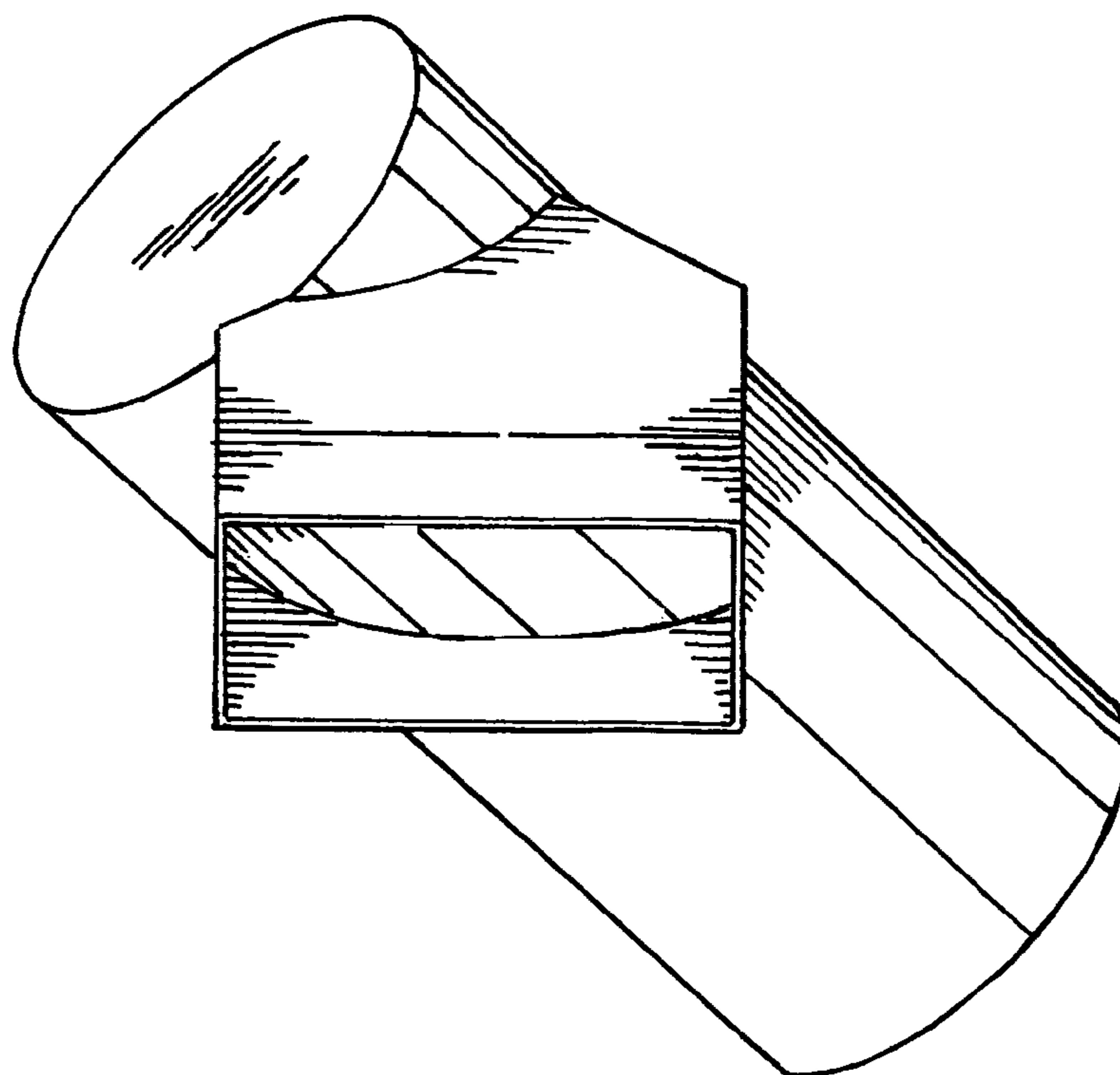


FIG. 5

