

US00D667849S

(12) **United States Design Patent**
Stimel, Jr.

(10) **Patent No.:** **US D667,849 S**

(45) **Date of Patent:** **** Sep. 25, 2012**

- (54) **VEHICLE LOWER DASH**
 - (75) Inventor: **William E. Stimel, Jr.**, Alexandria, OH (US)
 - (73) Assignee: **CVG Management Corporation**, New Albany, OH (US)
 - (**) Term: **14 Years**
 - (21) Appl. No.: **29/387,622**
 - (22) Filed: **Mar. 15, 2011**
 - (51) **LOC (9) Cl.** **15-03**
 - (52) **U.S. Cl.** **D15/28**
 - (58) **Field of Classification Search** D15/17, D15/22-26, 28, 31, 33; D12/192, 419, 421; 180/69.2, 69.21, 69.24, 90; 296/70, 30, 72, 296/191, 192, 193.03
- See application file for complete search history.

- D519,132 S * 4/2006 Laux et al. D15/28
- D521,413 S * 5/2006 Katoh D12/1
- D529,052 S * 9/2006 Dolesh et al. D15/28
- D534,468 S * 1/2007 Colburn et al. D12/192
- D543,558 S * 5/2007 Dolesh et al. D15/28
- D546,841 S * 7/2007 McCarren et al. D15/28
- D549,739 S * 8/2007 Stephens D15/28
- D551,144 S * 9/2007 Shinoda D12/192
- D554,572 S * 11/2007 Iguchi D12/192
- D593,134 S * 5/2009 Kuwae et al. D15/28
- D636,410 S * 4/2011 Ono et al. D15/28
- D636,794 S * 4/2011 Ono et al. D15/28
- D640,293 S * 6/2011 Ono et al. D15/28
- D652,063 S * 1/2012 Takeuchi et al. D15/28
- D652,433 S * 1/2012 Takeuchi et al. D15/28

* cited by examiner

Primary Examiner — Mark Goodwin

(74) *Attorney, Agent, or Firm* — Kegler Brown Hill & Ritter; James J. Pingor

(57) **CLAIM**

I claim the ornamental design of the vehicle lower dash, as shown and described.

DESCRIPTION

FIG. 1 is a right front perspective view of a vehicle lower dash showing my new design;
 FIG. 2 is a left top perspective view thereof;
 FIG. 3 is a front view thereof;
 FIG. 4 is a front view thereof;
 FIG. 5 is a rear perspective view thereof; and,
 FIG. 6 is a rear view thereof.

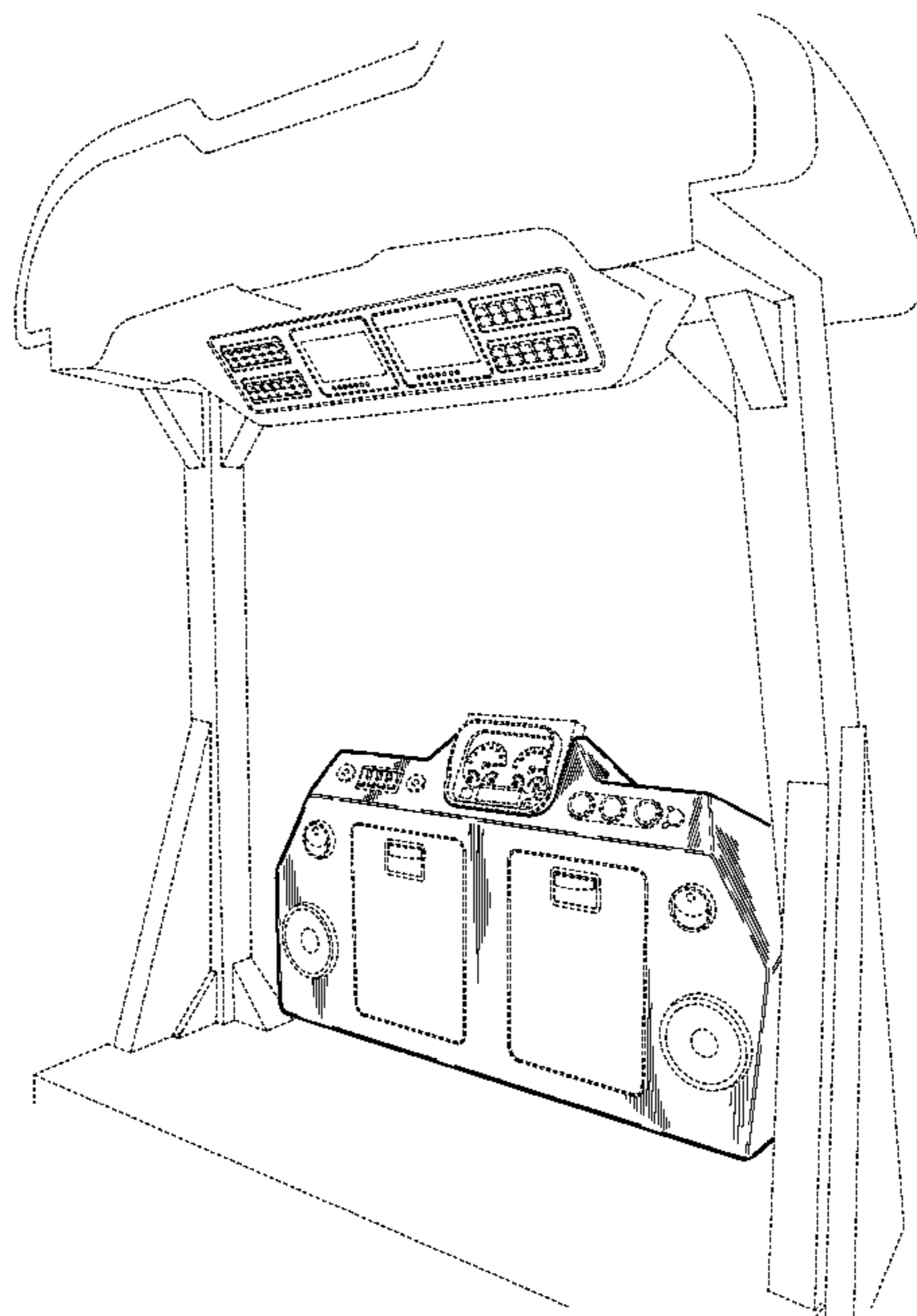
The broken line showing of a portion of the interior of a vehicle in FIGS. 1 and 3 and the various surface features on the vehicle lower dash in FIGS. 1-6 is included for the purpose of illustrating environmental features only and forms no part of the claimed design.

1 Claim, 6 Drawing Sheets

(56) **References Cited**

U.S. PATENT DOCUMENTS

- D162,507 S * 3/1951 Arenberg et al. D26/34
- D206,322 S * 11/1966 Ornas, Jr. et al. D12/192
- 3,452,835 A * 7/1969 Jacobsen et al. 180/90
- 4,126,202 A * 11/1978 Hern 180/89.12
- D308,131 S * 5/1990 Marcantonio D12/419
- D365,574 S * 12/1995 Westimayer et al. D15/17
- D375,071 S * 10/1996 Darley D12/192
- 5,725,065 A * 3/1998 Knurr et al. 180/69.2
- D427,613 S * 7/2000 Altmann et al. D15/28
- D428,022 S * 7/2000 Altmann et al. D15/28
- D432,076 S * 10/2000 Stickles et al. D12/419
- D439,257 S * 3/2001 Rossow et al. D15/28
- D459,734 S * 7/2002 Hohnl et al. D15/28
- D471,564 S * 3/2003 Hohnl et al. D15/28
- D514,995 S * 2/2006 Acton et al. D12/192
- D515,487 S * 2/2006 Tanaka et al. D12/192



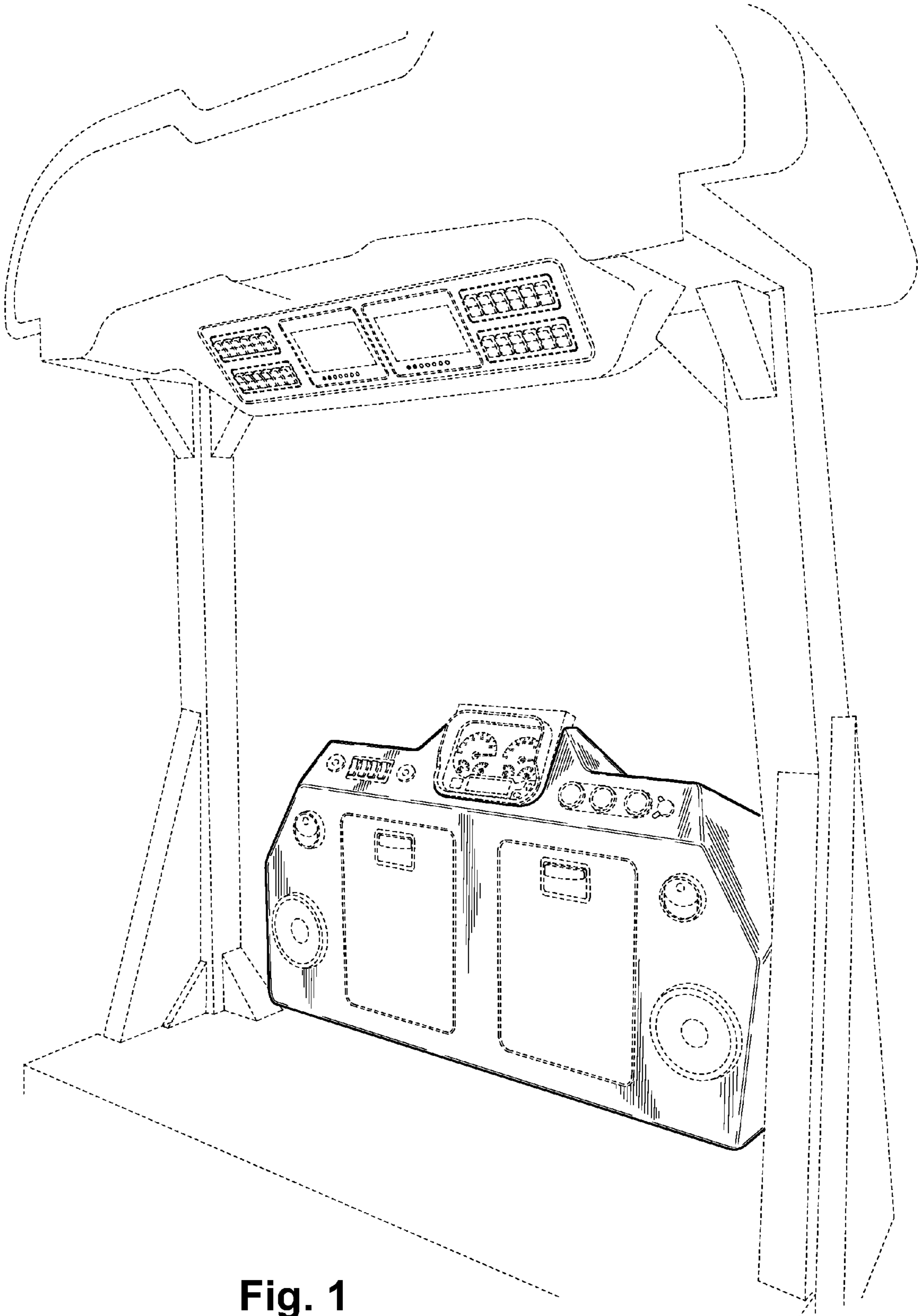


Fig. 1

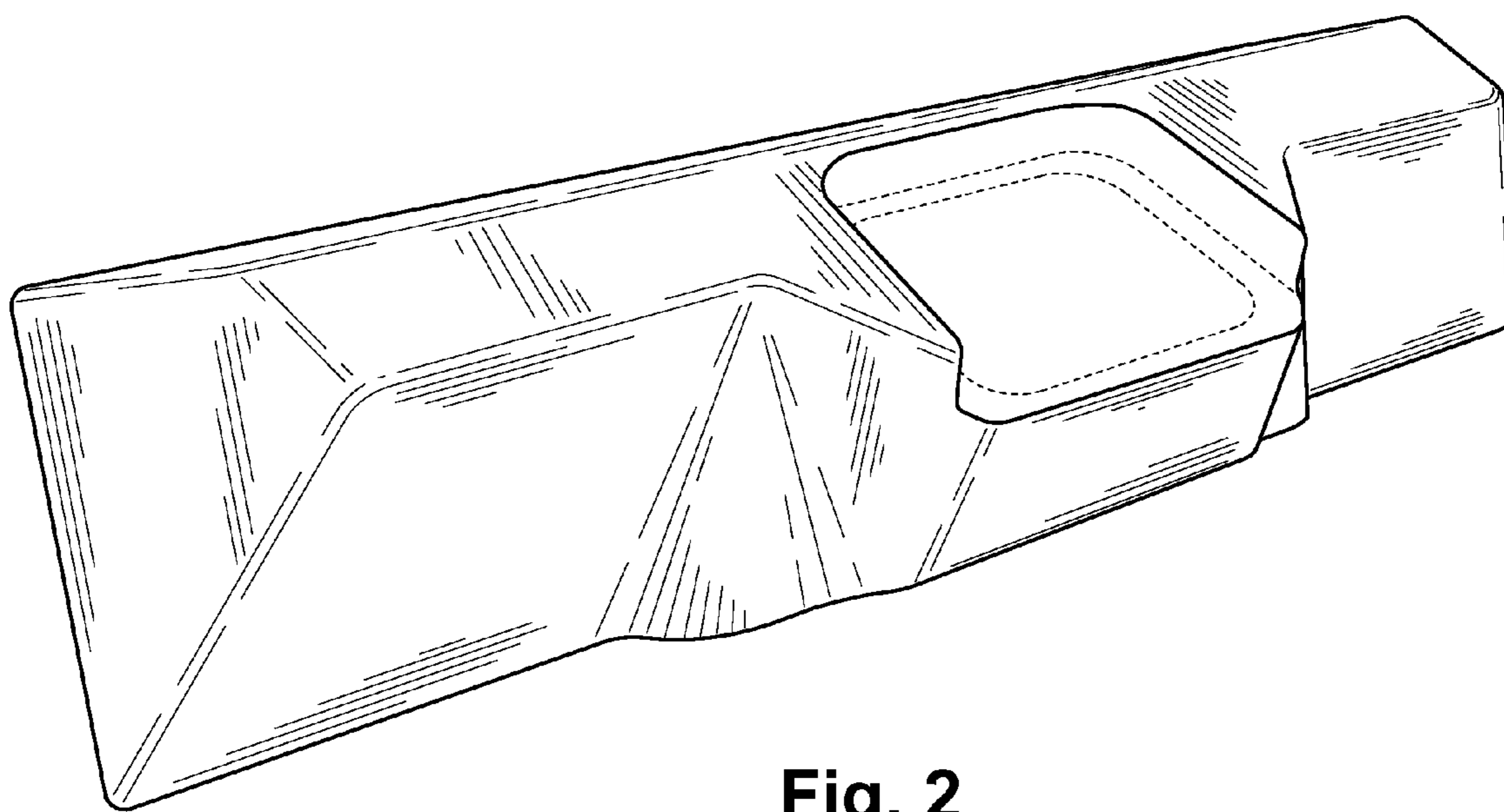


Fig. 2

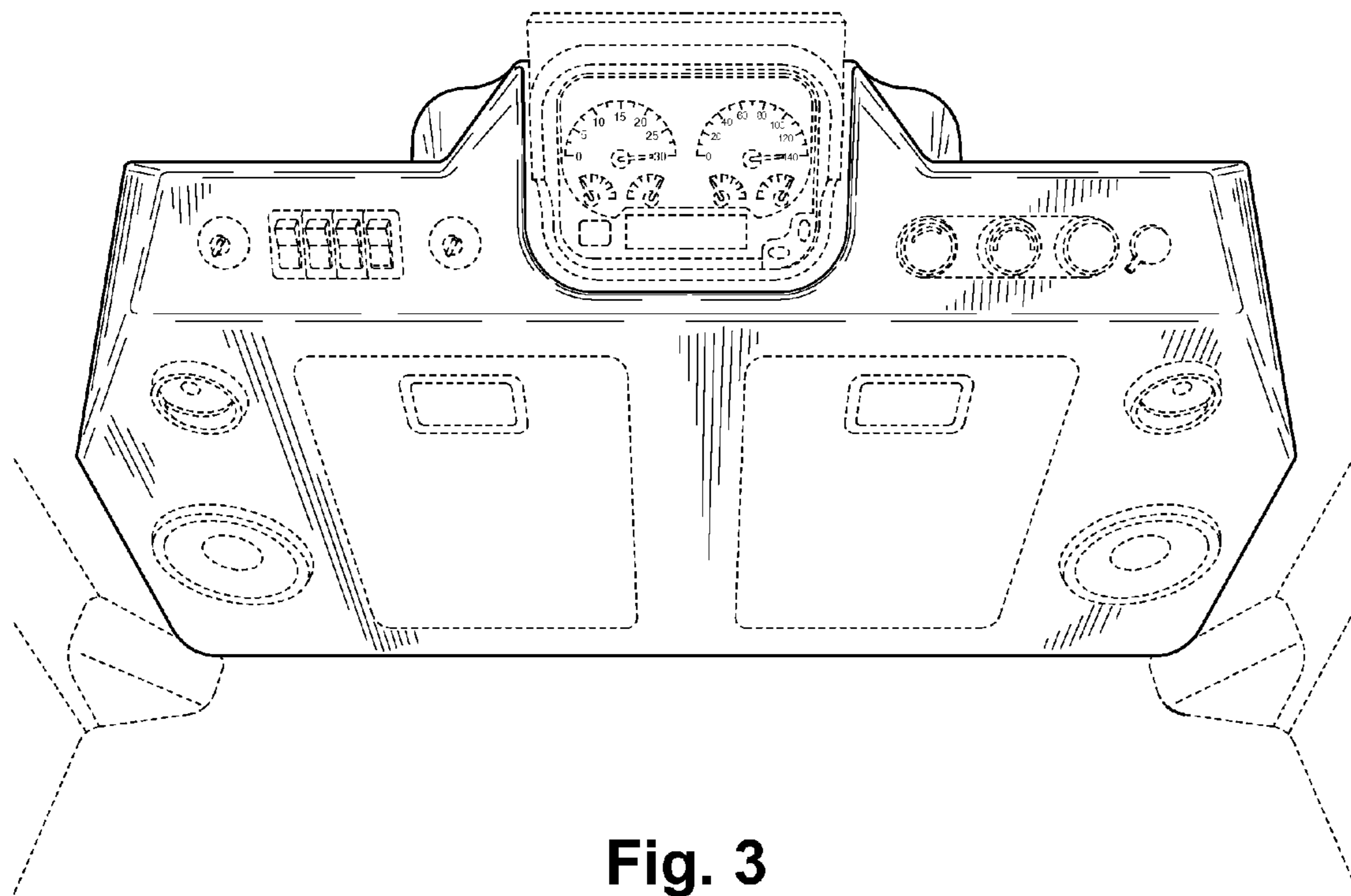


Fig. 3

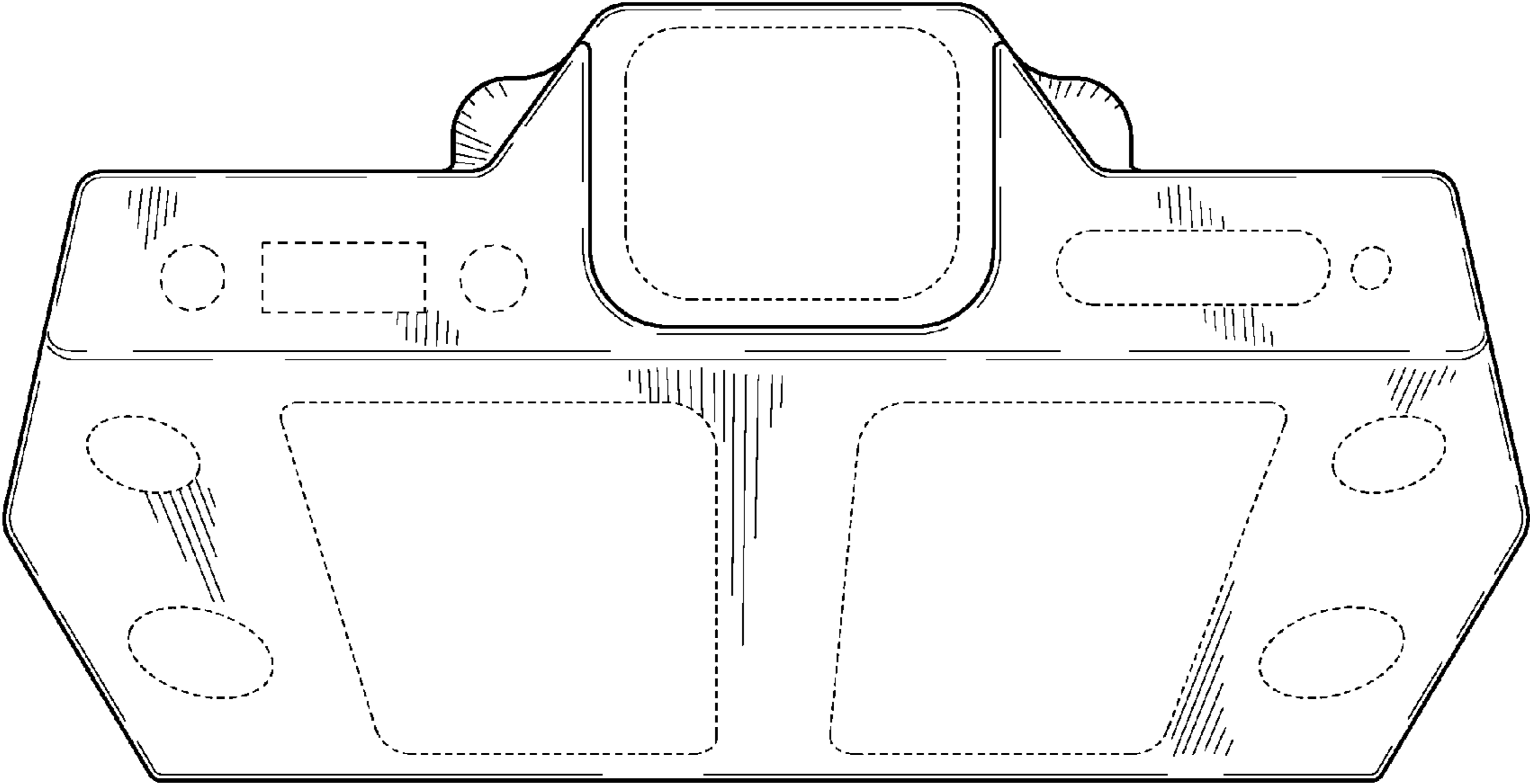


Fig. 4

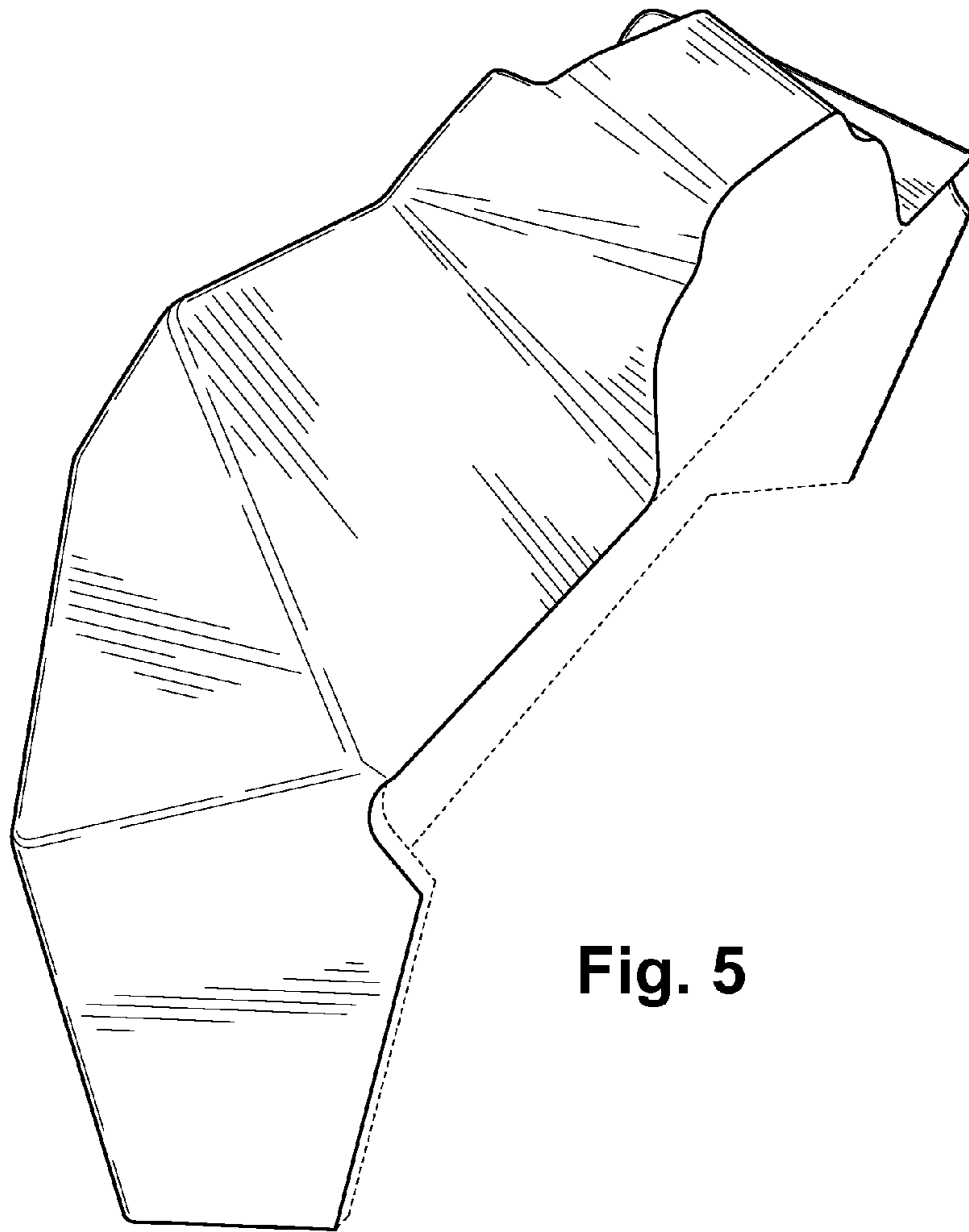


Fig. 5

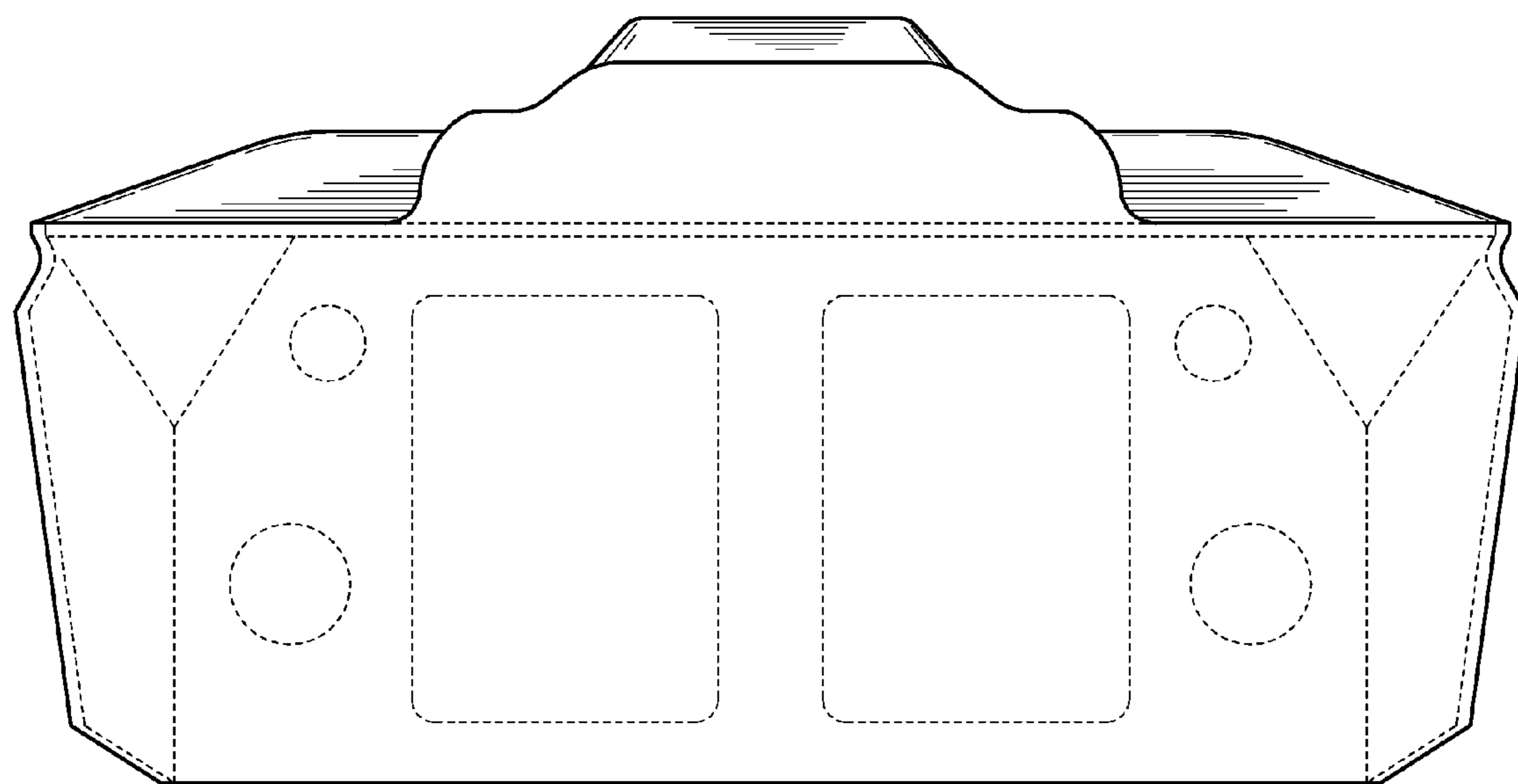


Fig. 6