



US00D667848S

(12) **United States Design Patent**
Schindler et al.

(10) **Patent No.:** **US D667,848 S**

(45) **Date of Patent:** **** Sep. 25, 2012**

(54) **CONTROL PANEL FOR MACHINE TOOLS**

(75) Inventors: **Dominic Schindler**, Lauter (AT);
Reinhold Seitz, Hopferau (DE)

(73) Assignee: **Gildemeister AG**, Bielefeld (DE)

(**) Term: **14 Years**

(21) Appl. No.: **29/304,737**

(22) Filed: **Mar. 6, 2008**

(30) **Foreign Application Priority Data**

Sep. 6, 2007 (DE) 4 07 04 562

(51) **LOC (9) Cl.** **15-03**

(52) **U.S. Cl.** **D15/28**; D15/21

(58) **Field of Classification Search** D15/10,
D15/17, 28, 133, 138, 199, 21; 361/679.01-679.09,
361/679.61, 679.55; 248/276.1, 278.1, 917,
248/919, 920, 177.1, 921, 288.11, 918, 922;
174/50, 51

See application file for complete search history.

(56) **References Cited**

U.S. PATENT DOCUMENTS

D255,121	S *	5/1980	Roch	D15/138
D283,706	S *	5/1986	Barrett	D15/138
D304,591	S *	11/1989	Anderson	D15/138
D332,272	S *	1/1993	Miller et al.	D15/138
5,673,628	A *	10/1997	Boos	108/44
5,751,548	A *	5/1998	Hall et al.	361/679.41
D434,425	S *	11/2000	Rossow et al.	D15/28
6,143,181	A *	11/2000	Falkvall et al.	210/646
6,179,263	B1 *	1/2001	Rosen et al.	248/278.1
6,269,578	B1 *	8/2001	Callegari	42/94
6,364,268	B1 *	4/2002	Metelski	248/317
6,683,784	B1 *	1/2004	Bidwell et al.	361/679.08
D543,558	S *	5/2007	Dolesh et al.	D15/28
D553,655	S *	10/2007	Jennings et al.	D15/199

2004/0085715	A1 *	5/2004	Bidwell et al.	361/679
2004/0179331	A1 *	9/2004	Maloney	361/680
2005/0040299	A1 *	2/2005	Twyford	248/177.1
2005/0183320	A1 *	8/2005	Krien et al.	42/94
2006/0279921	A1 *	12/2006	Stinson	361/683
2010/0157513	A1 *	6/2010	Guo	361/679.01

* cited by examiner

Primary Examiner — Mark Goodwin

(74) *Attorney, Agent, or Firm* — The Maxham Firm

(57) **CLAIM**

The ornamental design for a control panel for machine tools, as shown and described.

DESCRIPTION

FIG. 1 is a perspective view of the control panel for machine tools according to the invention, showing peripheral elements added;

FIG. 2 is a front view thereof; the wavy line shown at the bottom of the FIGS. 2-9 being indicative of indeterminate length;

FIG. 3 is a right side view thereof;

FIG. 4 is a front view of the control panel for machine tools, minus the peripheral elements of FIG. 1;

FIG. 5 is a back view thereof;

FIG. 6 is a is an enlarged front view thereof, with the control panel rotated downward with respect to the view panel;

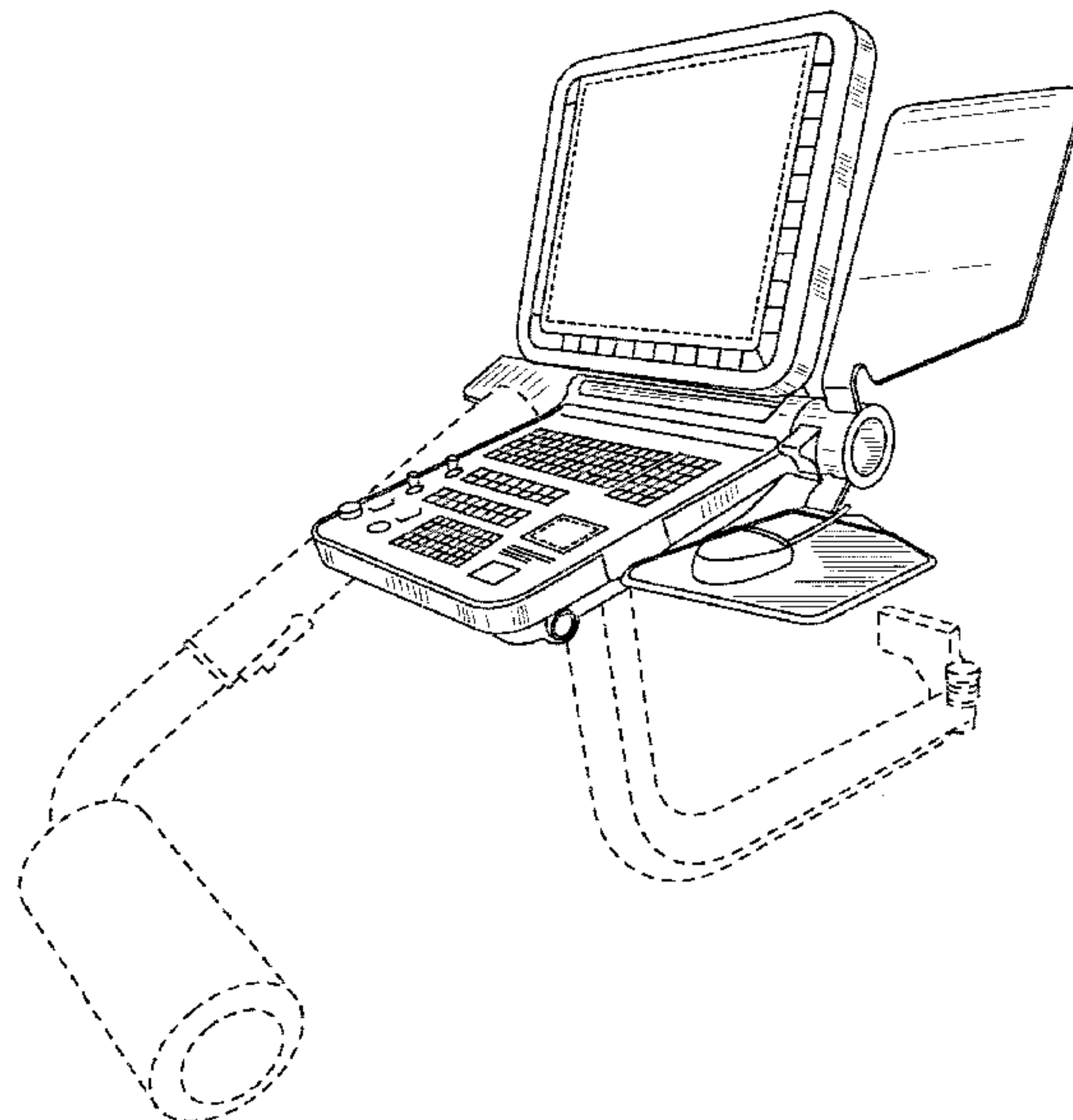
FIG. 7 is a right side view of the invention in the orientation of FIG. 4;

FIG. 8 is a right side view of the FIG. 7 orientation with controls and indicators stripped off; and,

FIG. 9 is a right side view of the invention in the orientation of FIG. 6.

The broken line showing of various surface features and attachments is included for the purpose of illustrating elements of the control panel for machine tools and forms no part of the claimed design.

1 Claim, 8 Drawing Sheets



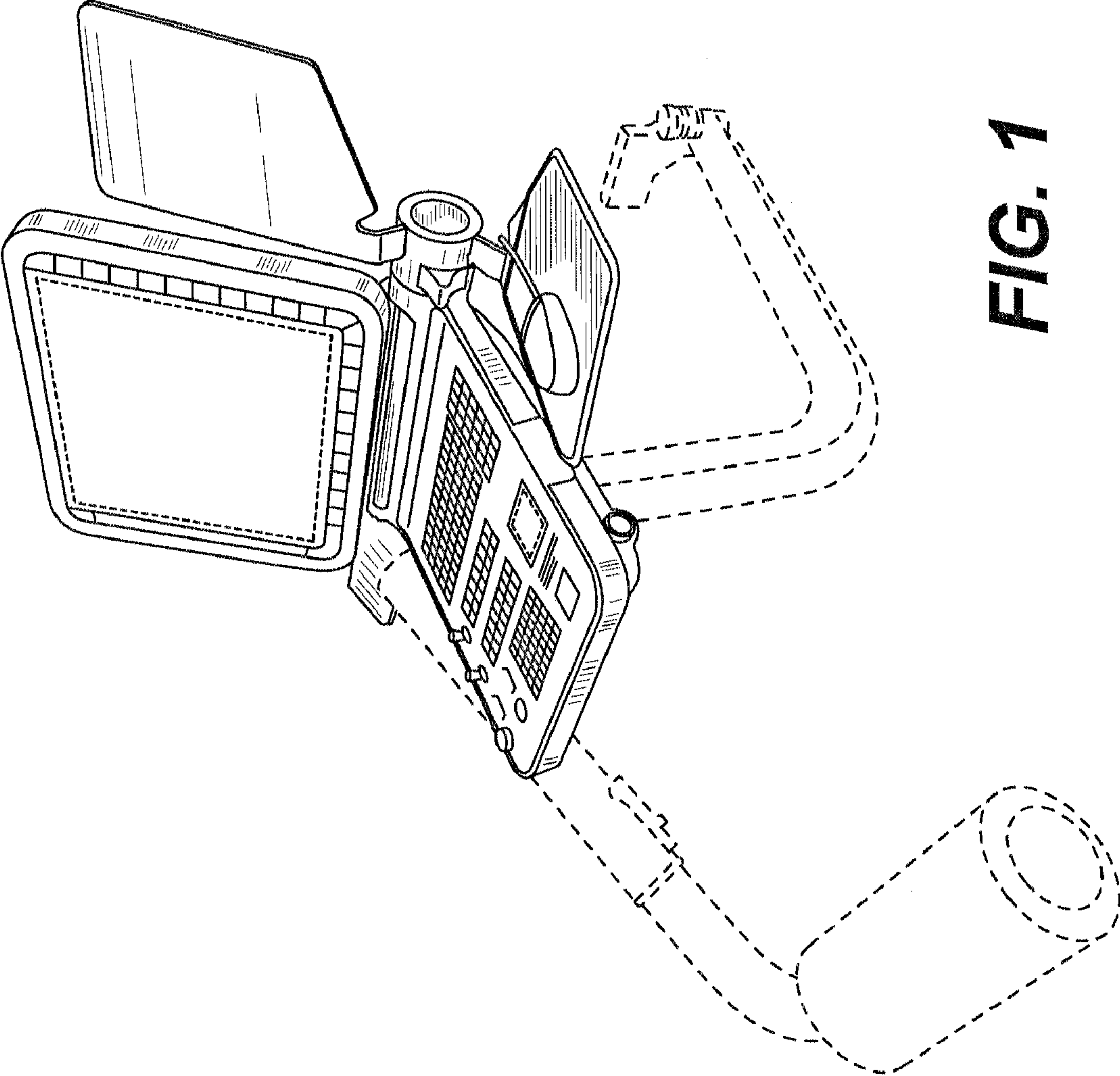


FIG. 1

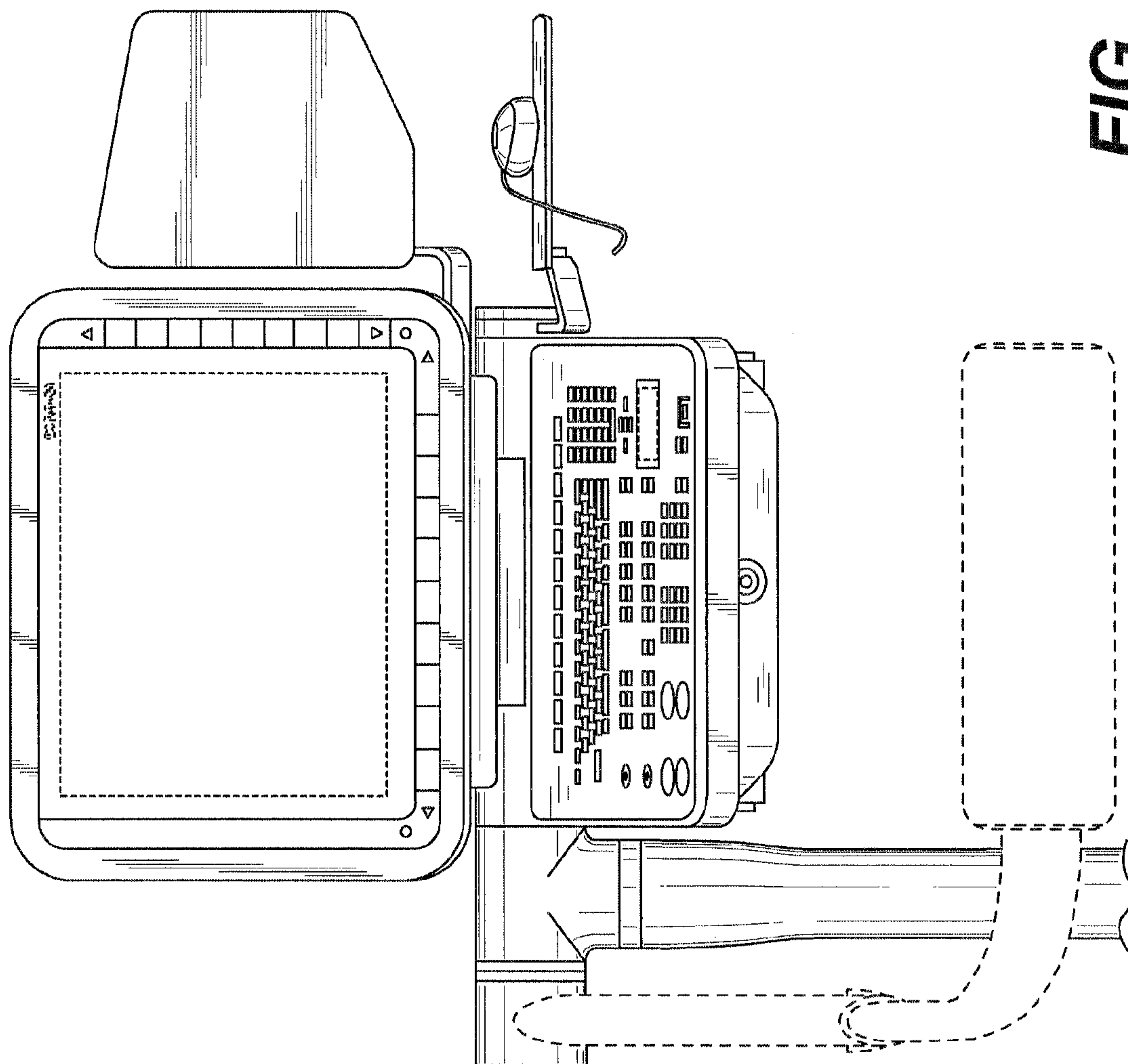


FIG. 2

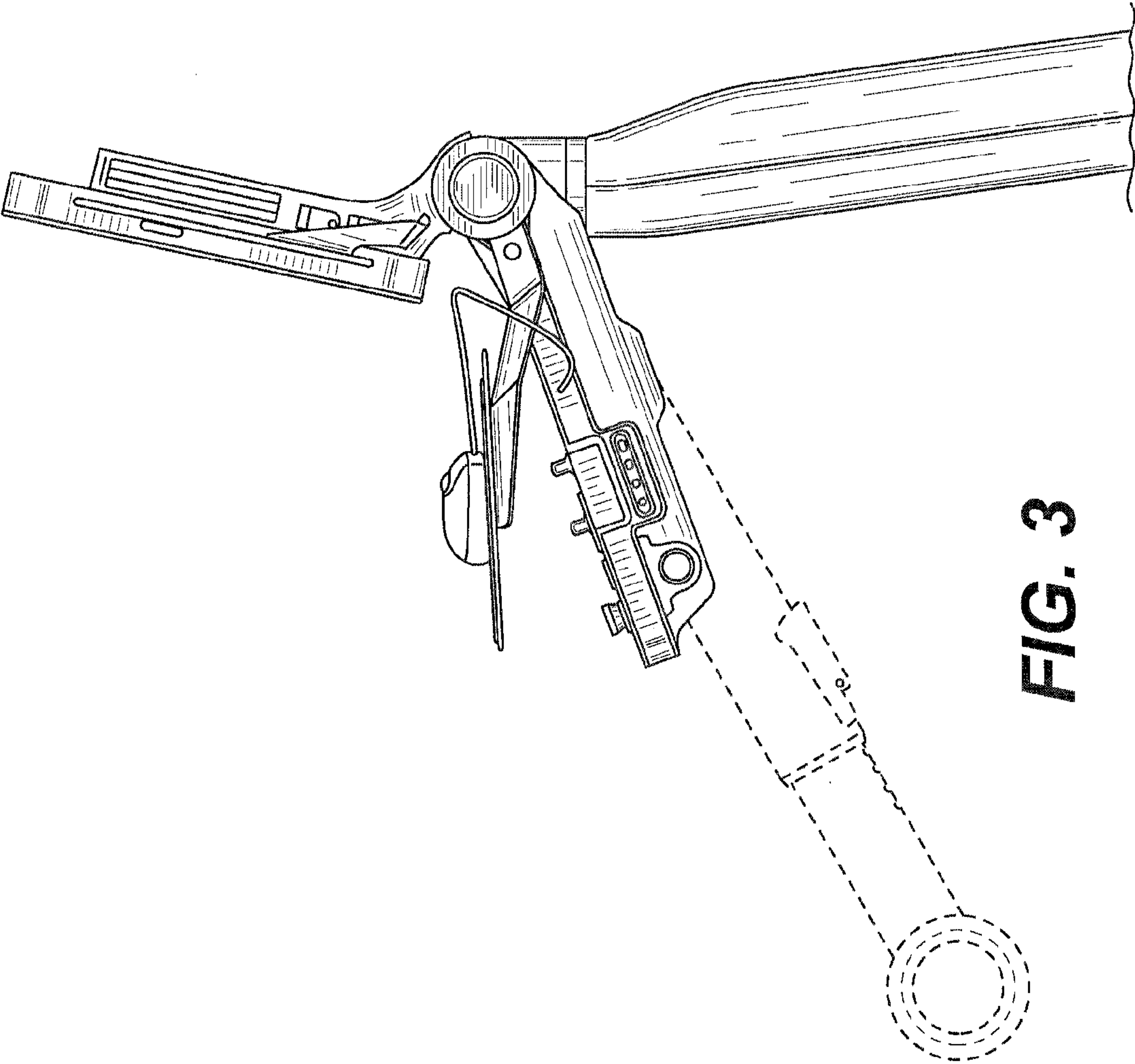


FIG. 3

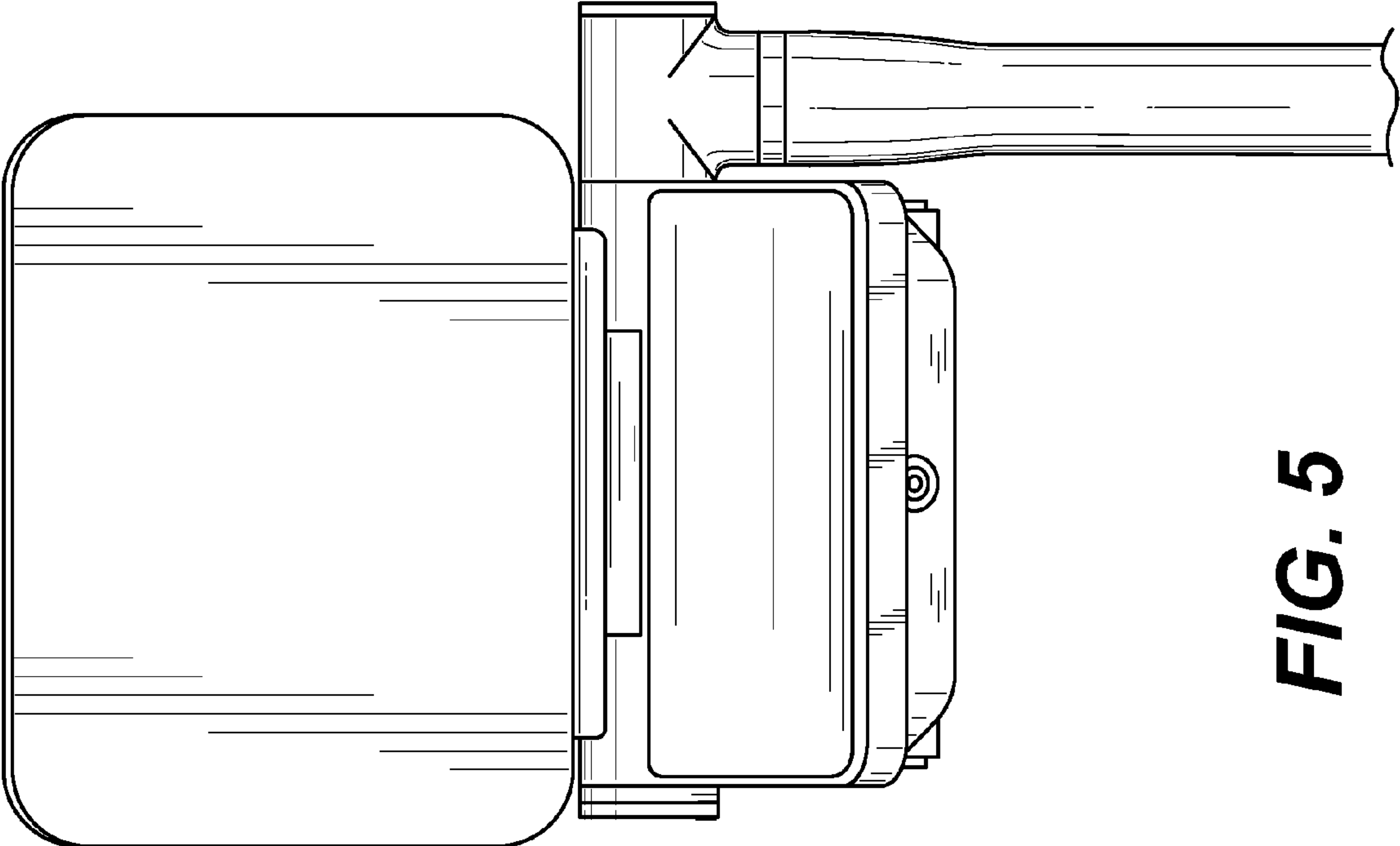


FIG. 5

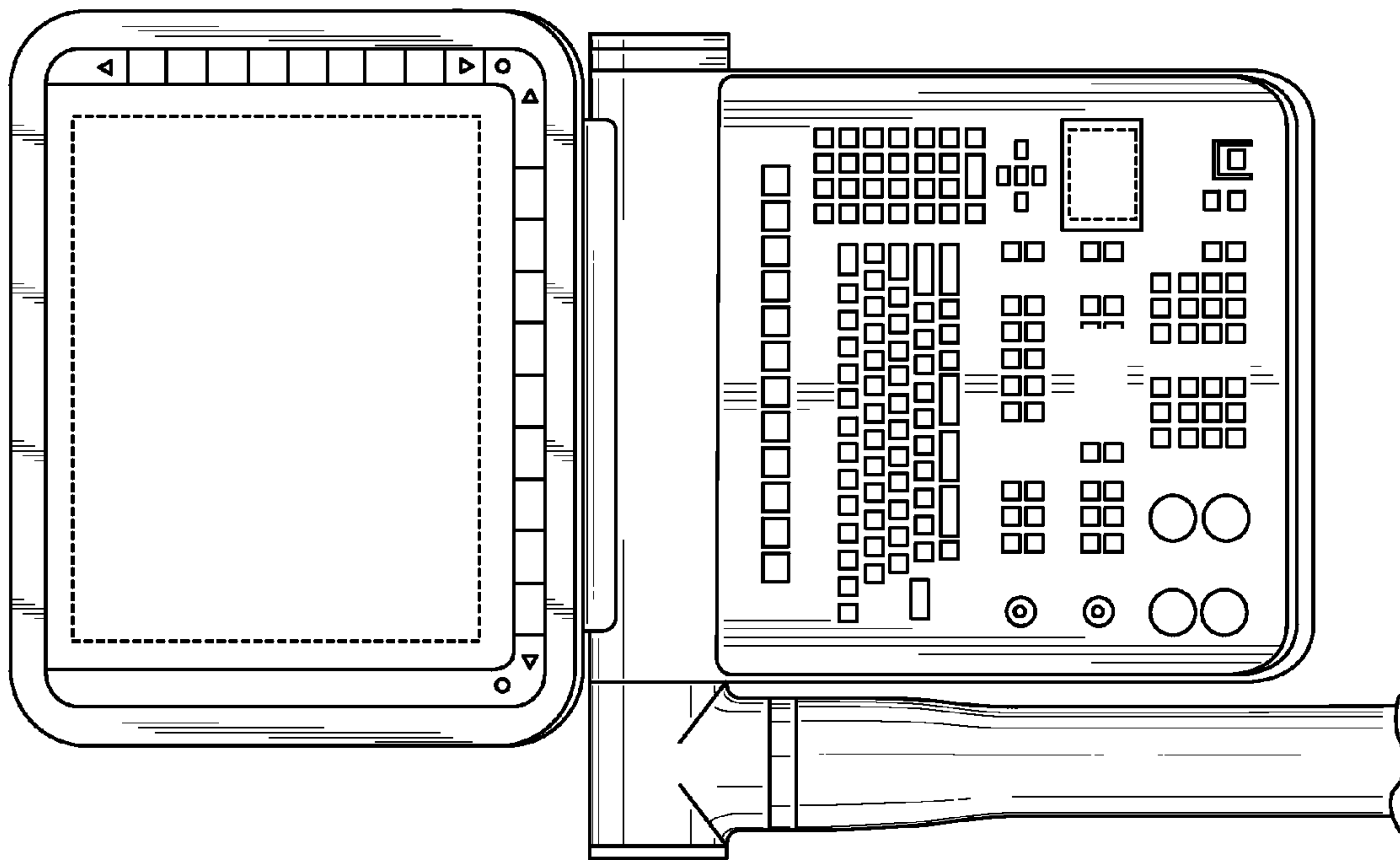


FIG. 6

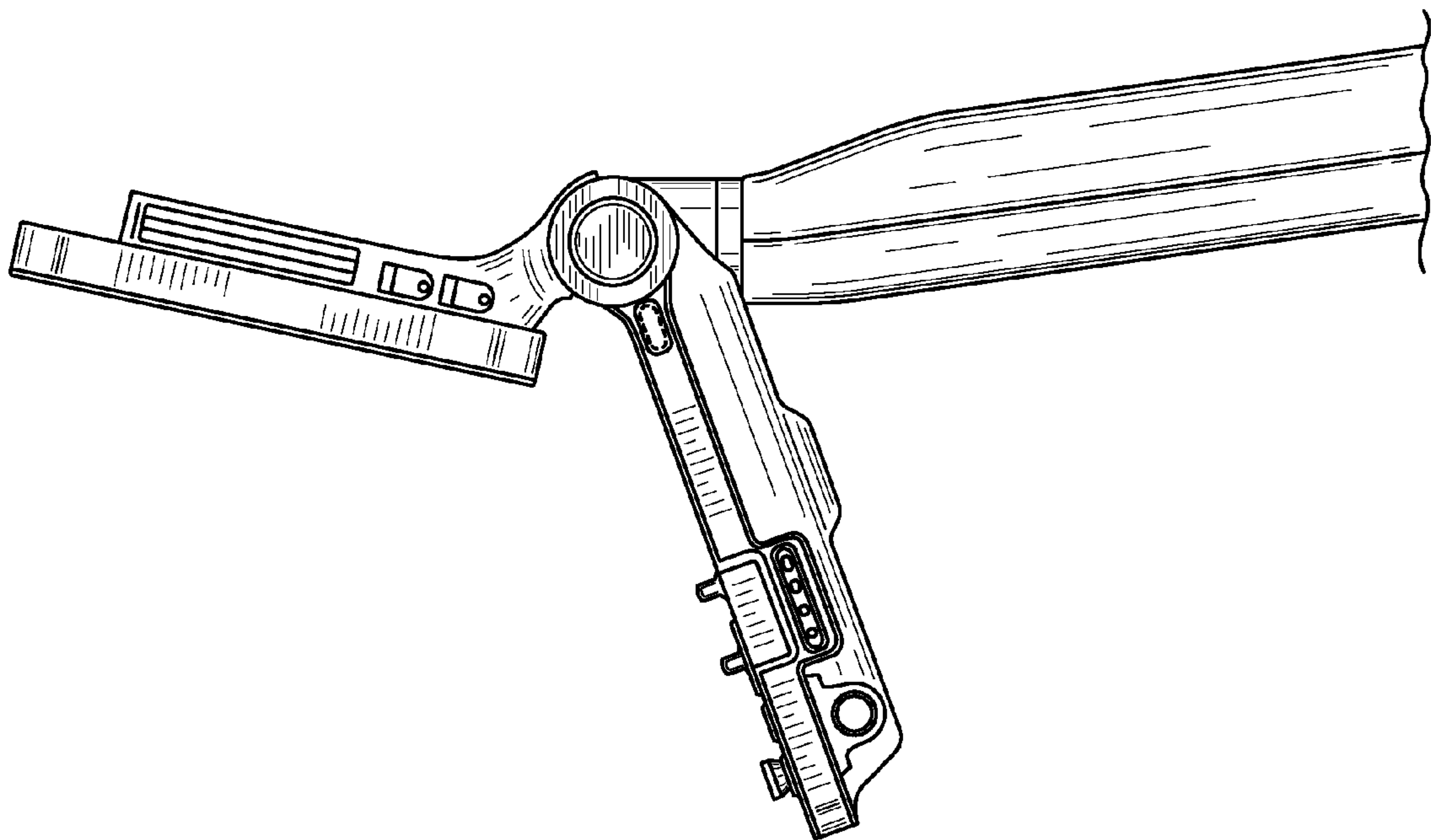


FIG. 7

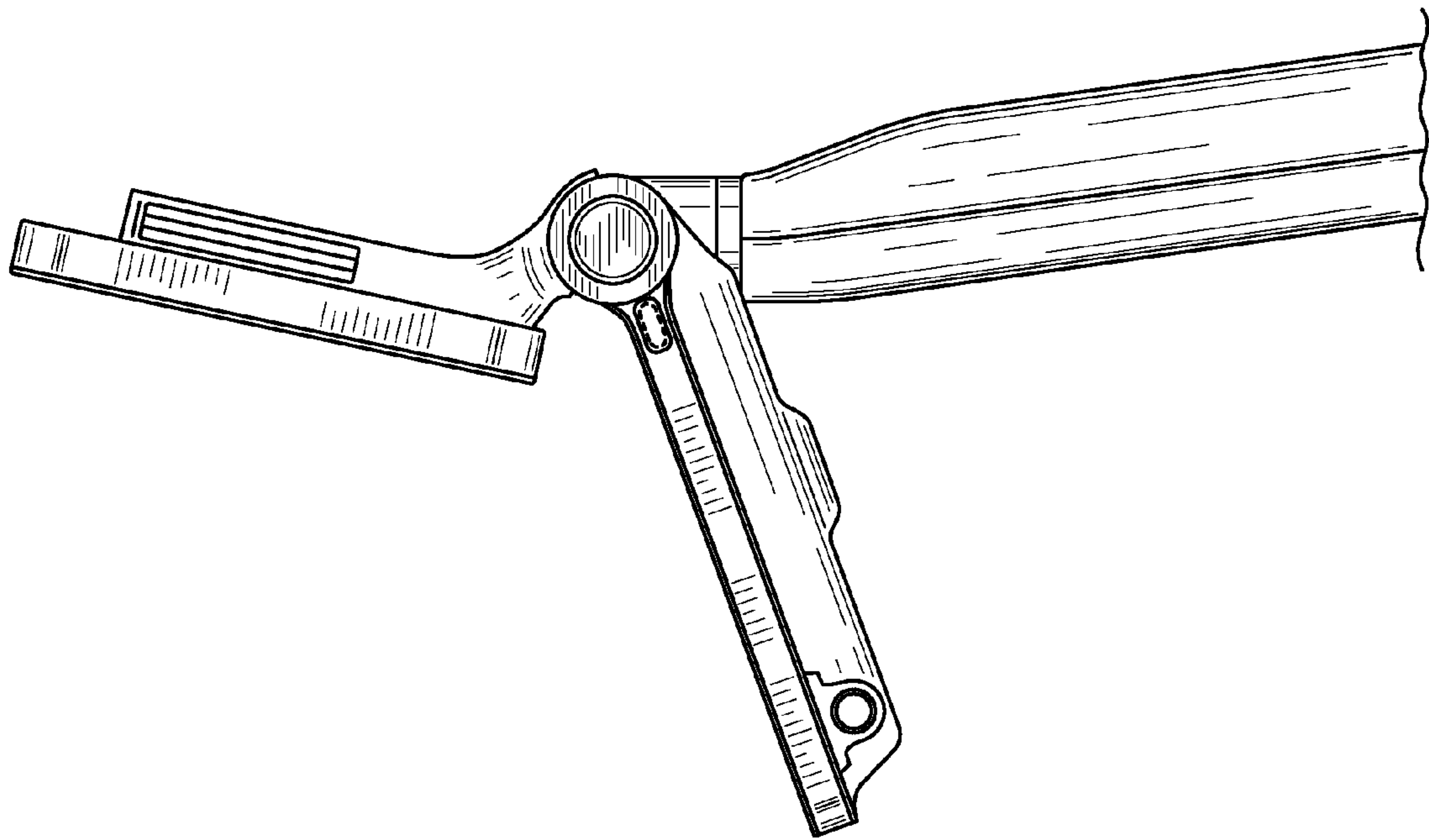


FIG. 8

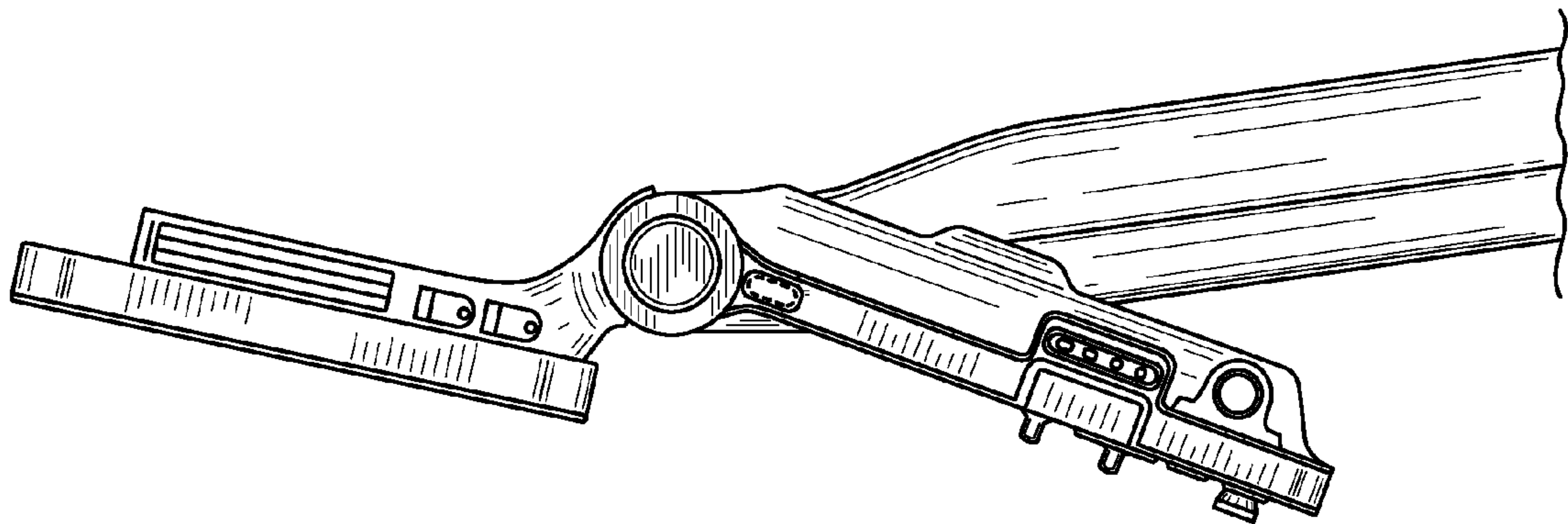


FIG. 9