

US00D667845S

(12) **United States Design Patent**
Moysi et al.

(10) **Patent No.:** **US D667,845 S**
(45) **Date of Patent:** **** Sep. 25, 2012**

- (54) **SUBMERSIBLE PUMP HOUSING**
- (75) Inventors: **Dustin Mark Moysi**, Mansfield, OH (US); **Michael L. Stoffer**, Ashland, OH (US)
- (73) Assignee: **The Gorman-Rupp Company**, Mansfield, OH (US)
- (**) Term: **14 Years**
- (21) Appl. No.: **29/376,106**
- (22) Filed: **Oct. 1, 2010**
- (51) **LOC (9) Cl.** **15-02**
- (52) **U.S. Cl.** **D15/7**
- (58) **Field of Classification Search** D15/7-9;
D23/231, 232, 225; 417/410.1, 359, 415-416,
417/234, 321, 265, 405
See application file for complete search history.

Photographs (labeled Exhibits 2A and 2B) of a motor driving a pump that was publicly disclosed, on sale or in public use prior to the filing date (Oct. 1, 2010) of the subject application.

A webpage printout showing a Zoeller submersible pump that was publicly disclosed, on sale or in public use prior to the filing date (Oct. 1, 2010) of the subject application.

A webpage printout showing a PX Pump that was publicly disclosed, on sale or in public use prior to the filing date (Oct. 1, 2010) of the subject application.

ITT advertising leaflet showing picture of a Flygt D 8000 Series pump that was publicly disclosed, on sale or in public use prior to the filing date (Oct. 1, 2010) of the subject application.

ITT advertising leaflet showing picture of a Flygt H 8000 Series pump that was publicly disclosed, on sale or in public use prior to the filing date (Oct. 1, 2010) of the subject application.

A webpage printout showing a Mody submersible pump that it is believed was publicly disclosed, on sale or in public use prior to the filing date (Oct. 1, 2010) of the subject application.

(Continued)

Primary Examiner — Ralf Seifert
(74) *Attorney, Agent, or Firm* — Tarolli, Sundheim, Covell & Tummino LLP

(56) **References Cited**

U.S. PATENT DOCUMENTS

D316,864	S	*	5/1991	Davis et al.	D15/5
D339,144	S	*	9/1993	Cline, Sr.	D15/7
D383,763	S	*	9/1997	Youngs	D15/7
5,988,944	A	*	11/1999	Youngs	405/52
D425,911	S	*	5/2000	Fleischer et al.	D15/7
6,079,751	A	*	6/2000	Youngs	285/139.1
6,145,891	A	*	11/2000	Youngs	285/205
D440,230	S	*	4/2001	Craford et al.	D15/7
D440,231	S	*	4/2001	Craford et al.	D15/7
D453,525	S	*	2/2002	Lutes	D15/7
6,612,620	B1	*	9/2003	Nordstrom et al.	285/139.1
D555,089	S	*	11/2007	Lutz	D13/112

OTHER PUBLICATIONS

Photograph (labeled Exhibit 1) of a submersible pump that was publicly disclosed, on sale or in public use prior to the filing date (Oct. 1, 2010) of the subject application.

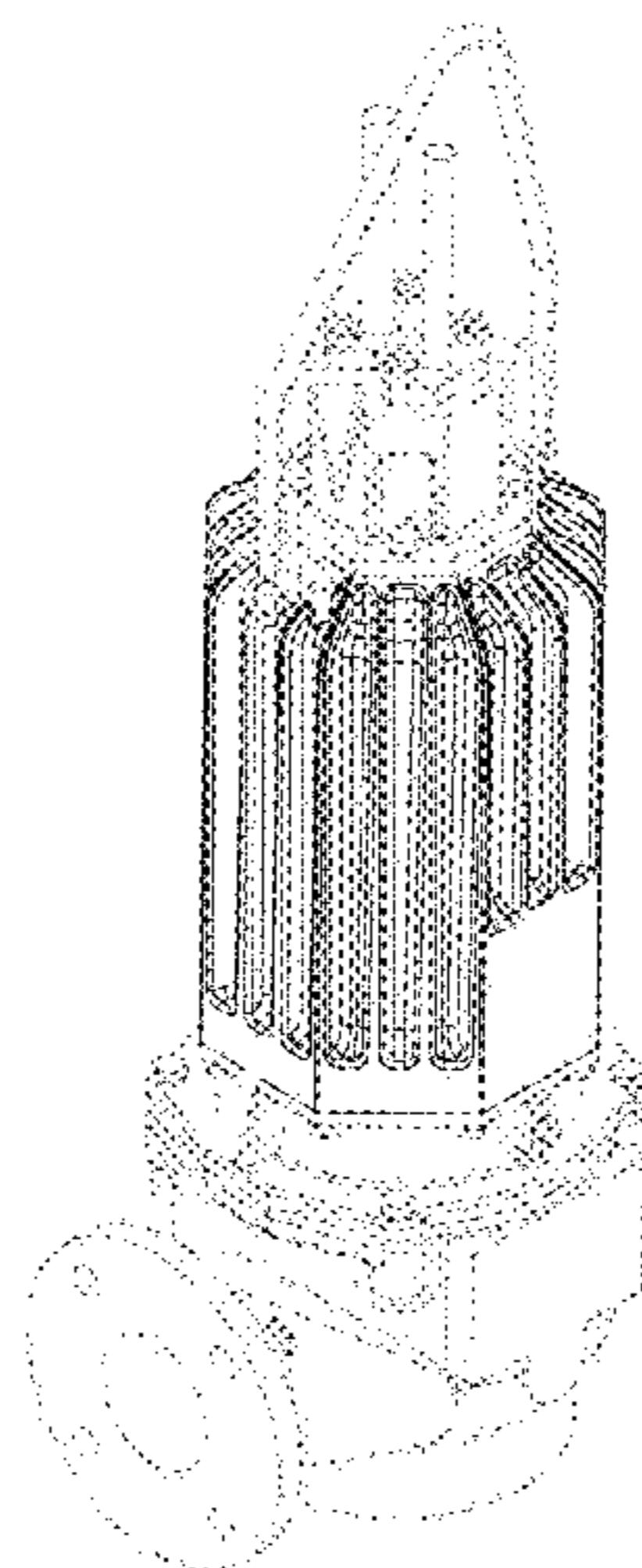
Photograph (labeled Exhibit 2) of a submersible pump that was publicly disclosed, on sale or in public use prior to the filing date (Oct. 1, 2010) of the subject application.

(57) **CLAIM**
We claim the ornamental design for a submersible pump housing, as shown and described.

DESCRIPTION

FIG. 1 is a perspective view of a submersible pump housing showing our new design;
FIG. 2 is one side elevational view;
FIG. 3 is a side elevational view rotated 90° from the position shown in FIG. 2;
FIG. 4 is a side elevational view rotated 90° from the position shown in FIG. 3;
FIG. 5 is a side elevational view rotated 90° from the position shown in FIG. 4;
FIG. 6 is a top plan view; and,
FIG. 7 is a bottom plan view.
The broken lines in FIGS. 1-7 are for illustrative purposes only and form no part of the claimed design.

1 Claim, 6 Drawing Sheets



OTHER PUBLICATIONS

Specification leaflet including photos of a model MH 480 Mody
submersible pump that it is believed was publicly disclosed, on sale

or in public use prior to the filing date (Oct. 1, 2010) of the subject
application.

* cited by examiner

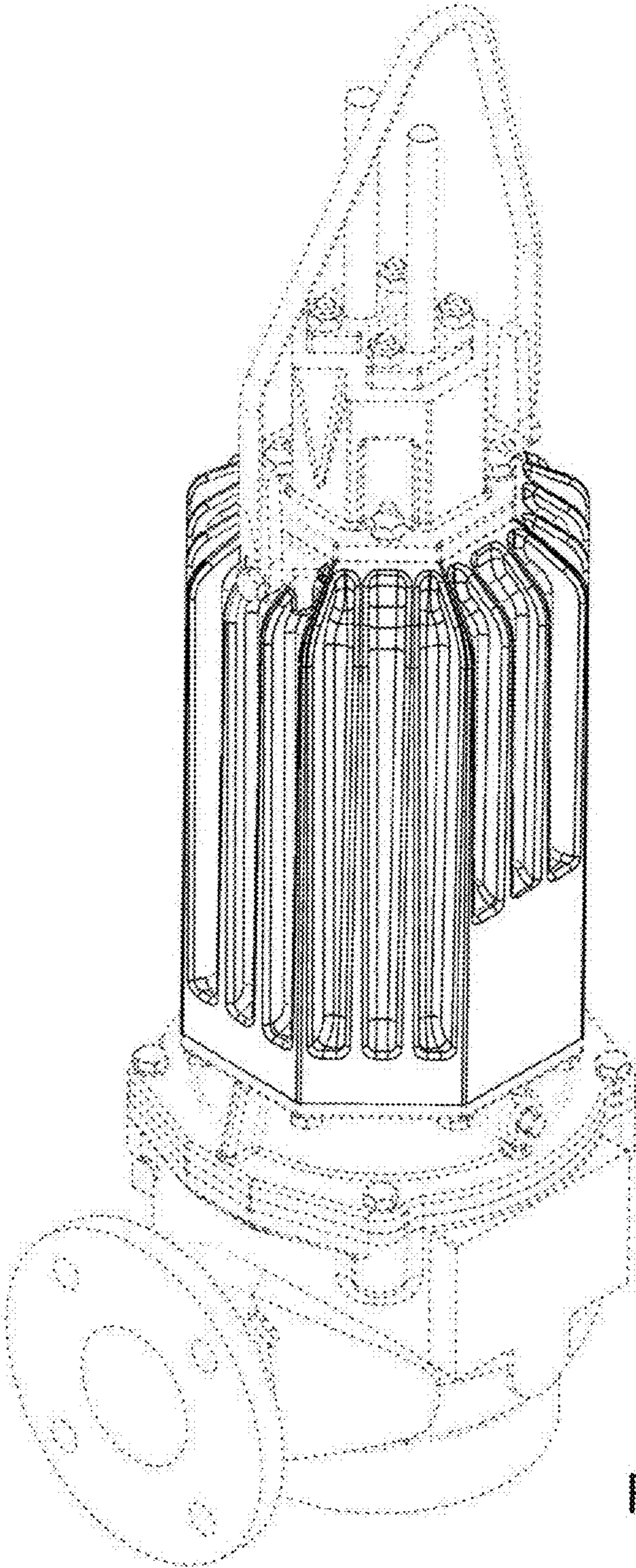


Fig. 1

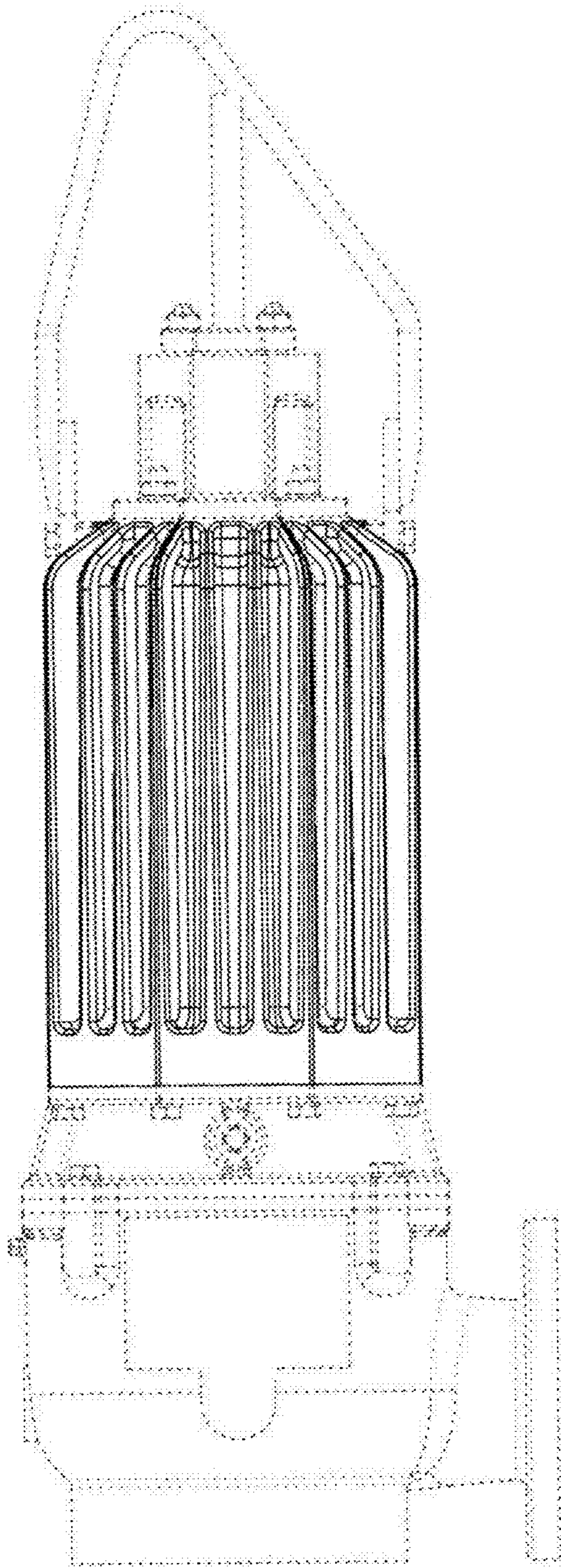


Fig. 2

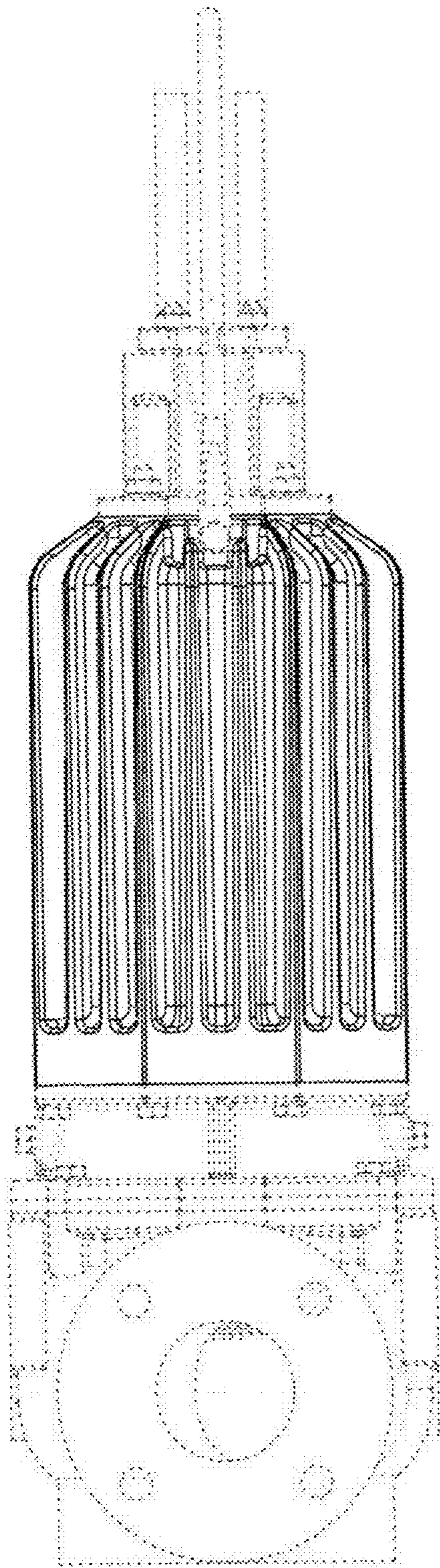


Fig. 3

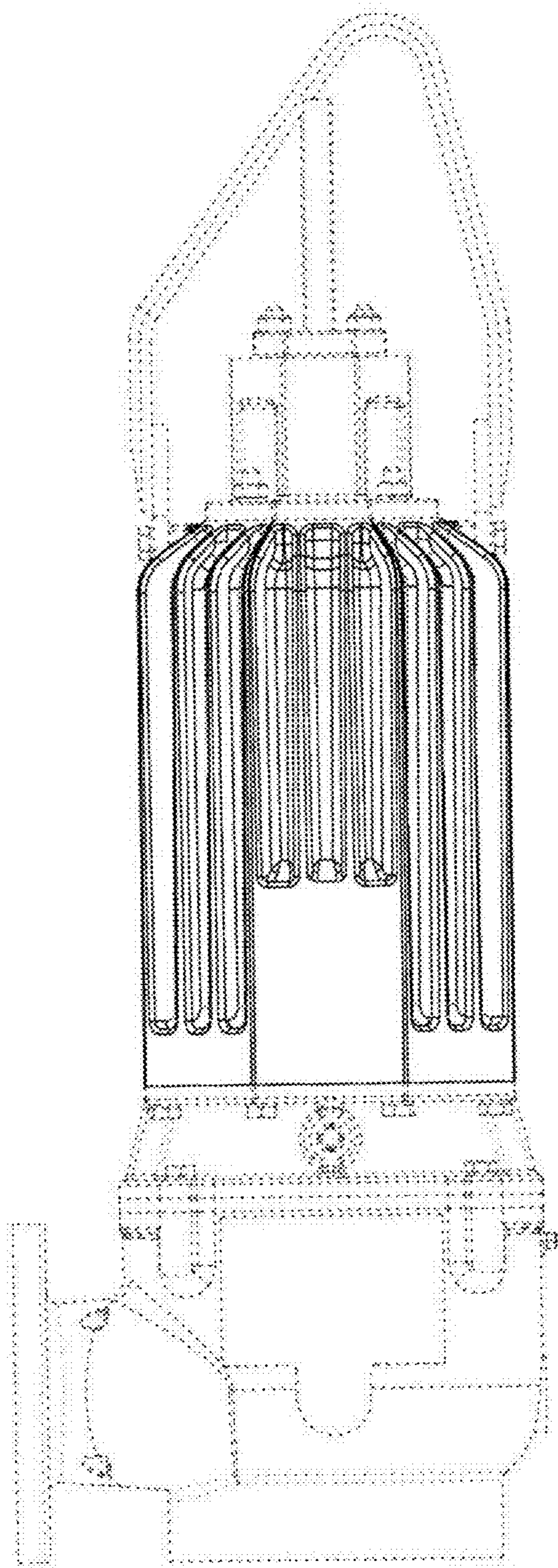


Fig. 4

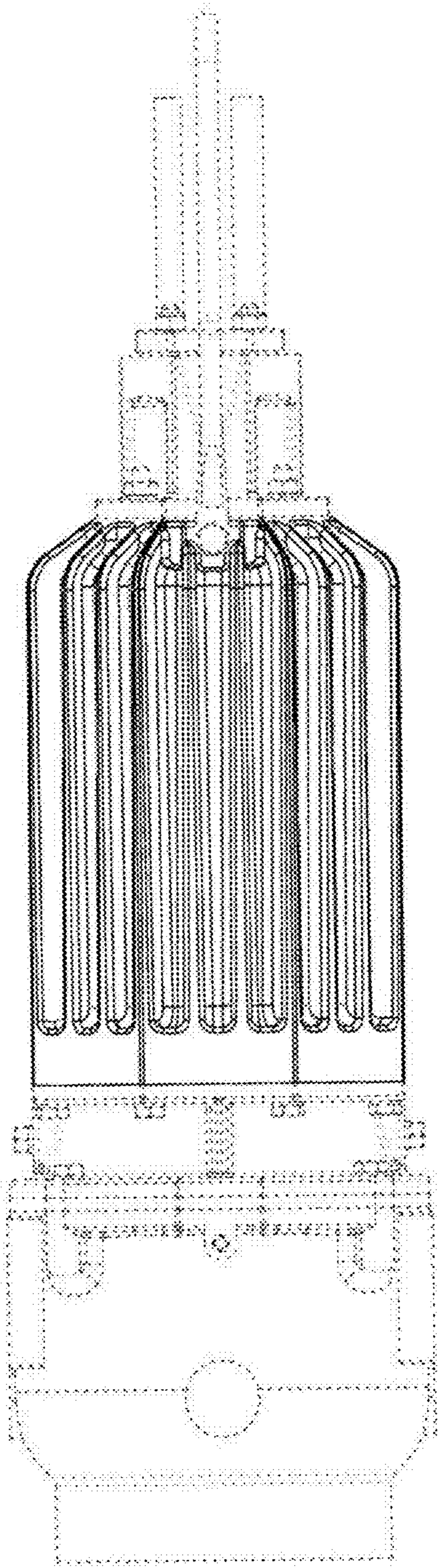


Fig. 5

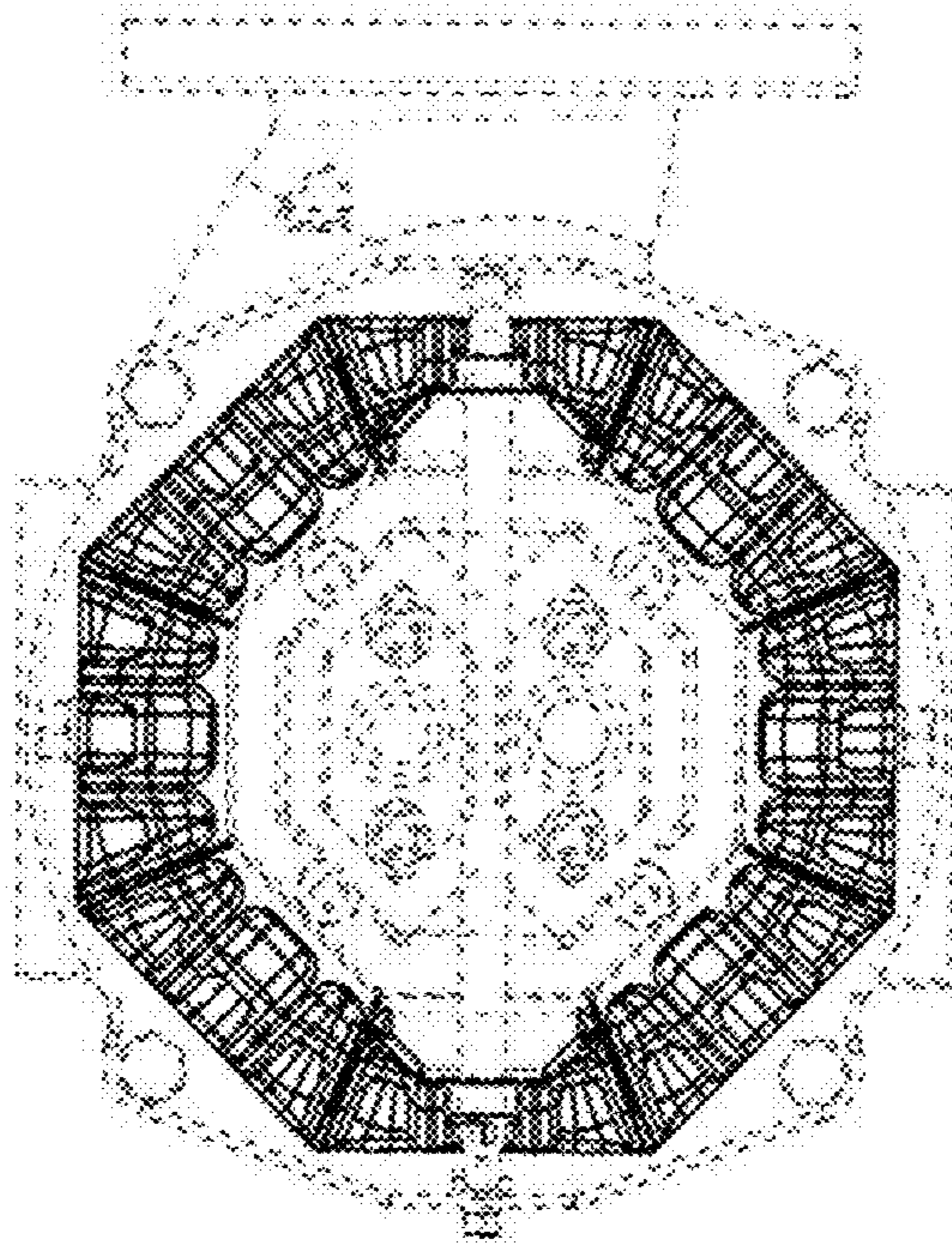


Fig. 6

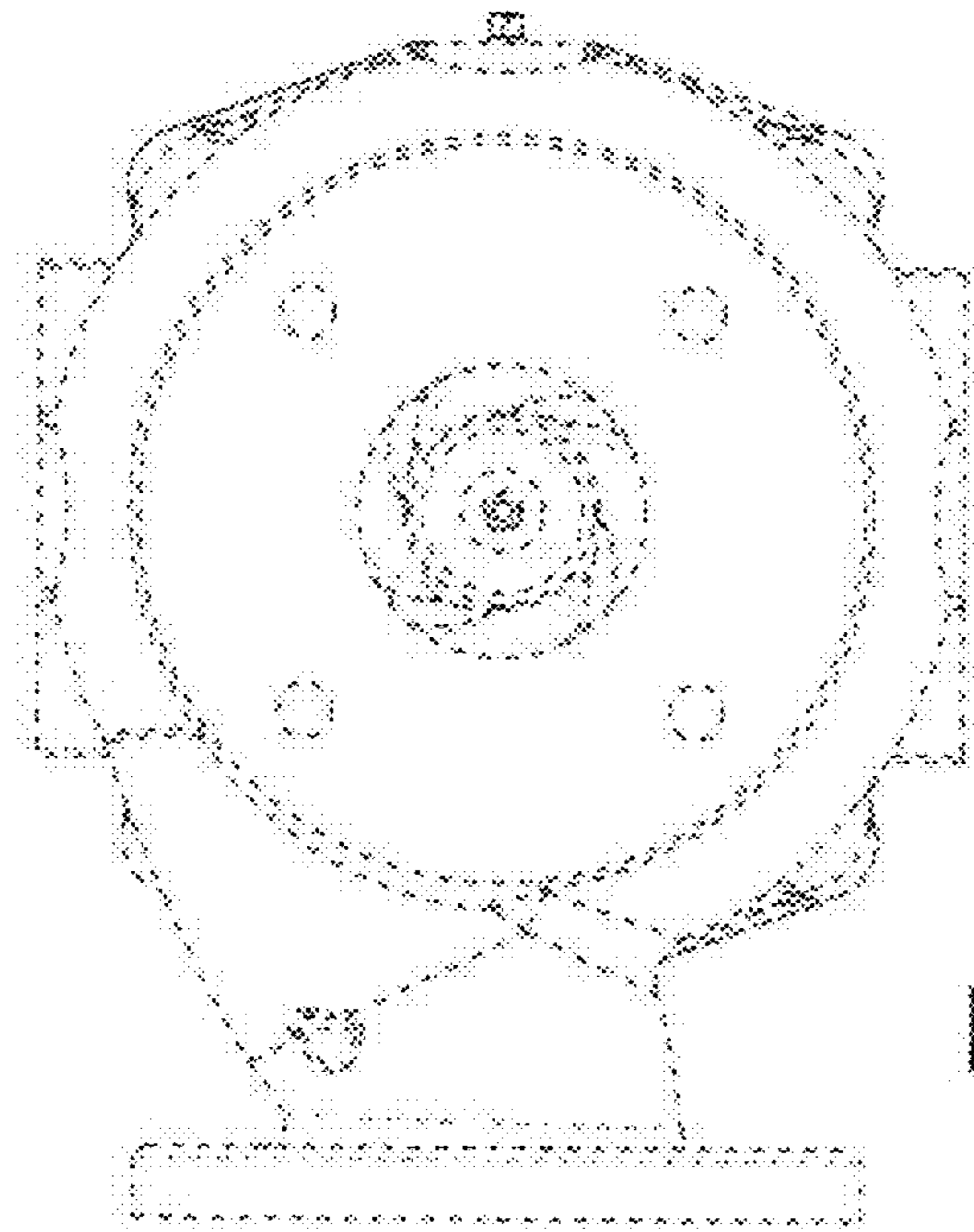


Fig. 7