

US00D667844S

(12) **United States Design Patent**  
**Cho et al.**

(10) **Patent No.:** **US D667,844 S**  
(45) **Date of Patent:** **\*\* Sep. 25, 2012**

(54) **DIGITAL AUDIO SYSTEM**

(75) Inventors: **Ju-Won Cho**, Seoul (KR);  
**Kyoung-Hoon Kim**, Seongnam-Si (KR);  
**Tae-Yeon Won**, Seoul (KR)

(73) Assignee: **Samsung Electronics Co., Ltd.** (KR)

(\*\*) Term: **14 Years**

(21) Appl. No.: **29/390,786**

(22) Filed: **Apr. 29, 2011**

(30) **Foreign Application Priority Data**

Mar. 3, 2011 (KR) ..... 30-2011-0008490

(51) **LOC (9) Cl.** ..... **14-01**

(52) **U.S. Cl.** ..... **D14/499**

(58) **Field of Classification Search** ..... D14/496,  
D14/498-511, 167-168, 171-172, 188, 194,  
D14/197-198, 214; 360/99.02, 99.07; 369/75.11,  
369/75.21, 77.11, 77.21; 720/601, 612, 619,  
720/649, 655; 455/344, 347-351

See application file for complete search history.

(56) **References Cited**

**U.S. PATENT DOCUMENTS**

D428,612 S \* 7/2000 Scorrano ..... D14/194  
D473,857 S \* 4/2003 Bhavnani ..... D14/197

D514,546 S \* 2/2006 Chan ..... D14/171  
D517,040 S \* 3/2006 Hasegawa et al. .... D14/168  
D572,237 S \* 7/2008 Hsiung ..... D14/214  
D587,282 S \* 2/2009 Kim et al. .... D14/499

\* cited by examiner

*Primary Examiner* — Prabhakar Deshmukh

(74) *Attorney, Agent, or Firm* — NSIP Law

(57) **CLAIM**

The ornamental design for a digital audio system, as shown and described.

**DESCRIPTION**

FIG. 1 is a perspective view of a digital audio system;  
FIG. 2 is a front view of the digital audio system of FIG. 1;  
FIG. 3 is a rear view of the digital audio system of FIG. 1;  
FIG. 4 is a left-side view of the digital audio system of FIG. 1;  
FIG. 5 is a right-side view of the digital audio system of FIG. 1;  
FIG. 6 is a top plan view of the digital audio system of FIG. 1;  
and,  
FIG. 7 is a bottom plan view of the digital audio system of FIG. 1.

Elements shown on a recessed area on FIG. 3 in broken lines are for illustrative purposes only and form no part of the claimed design.

**1 Claim, 4 Drawing Sheets**

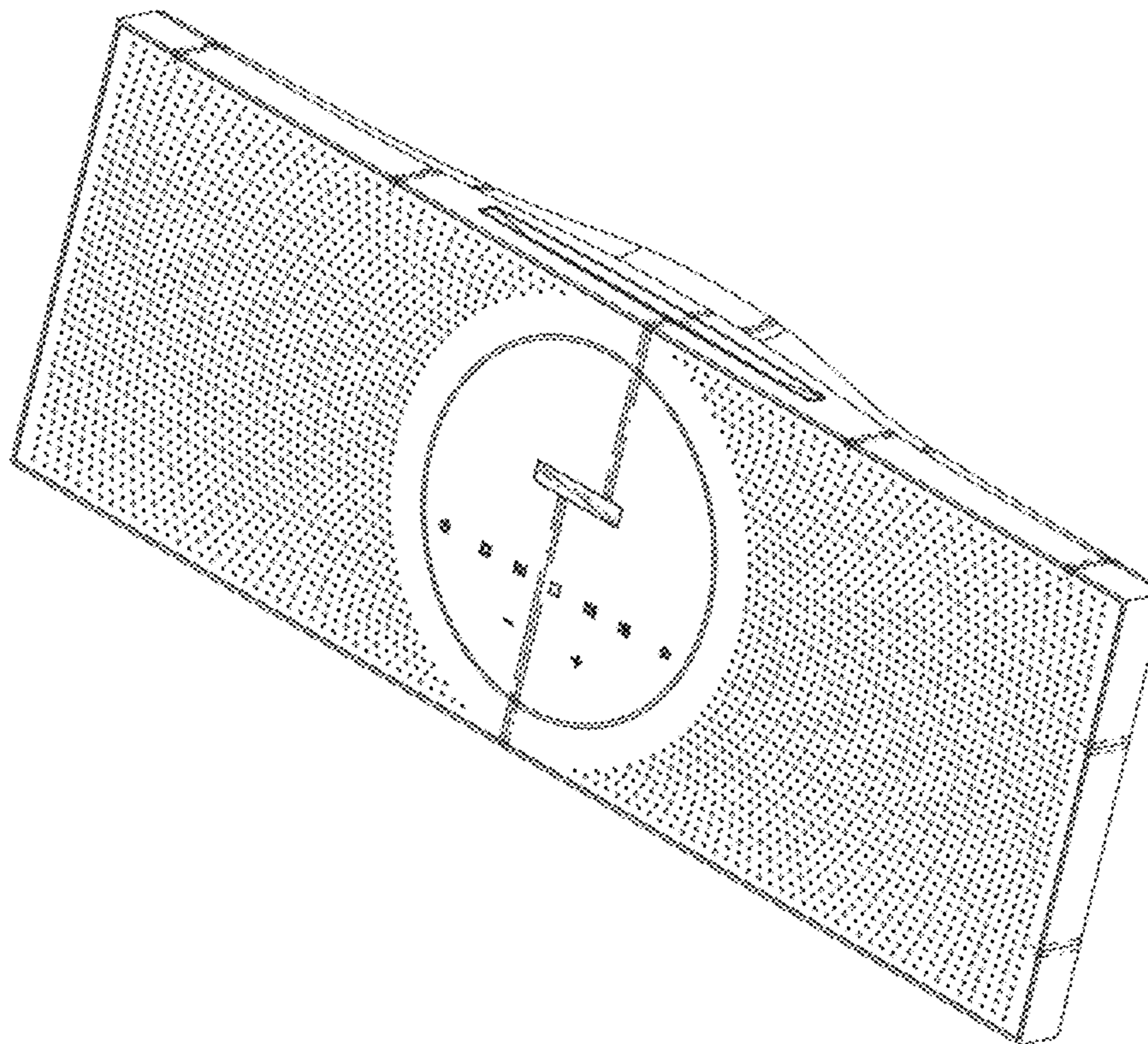


FIG. 1

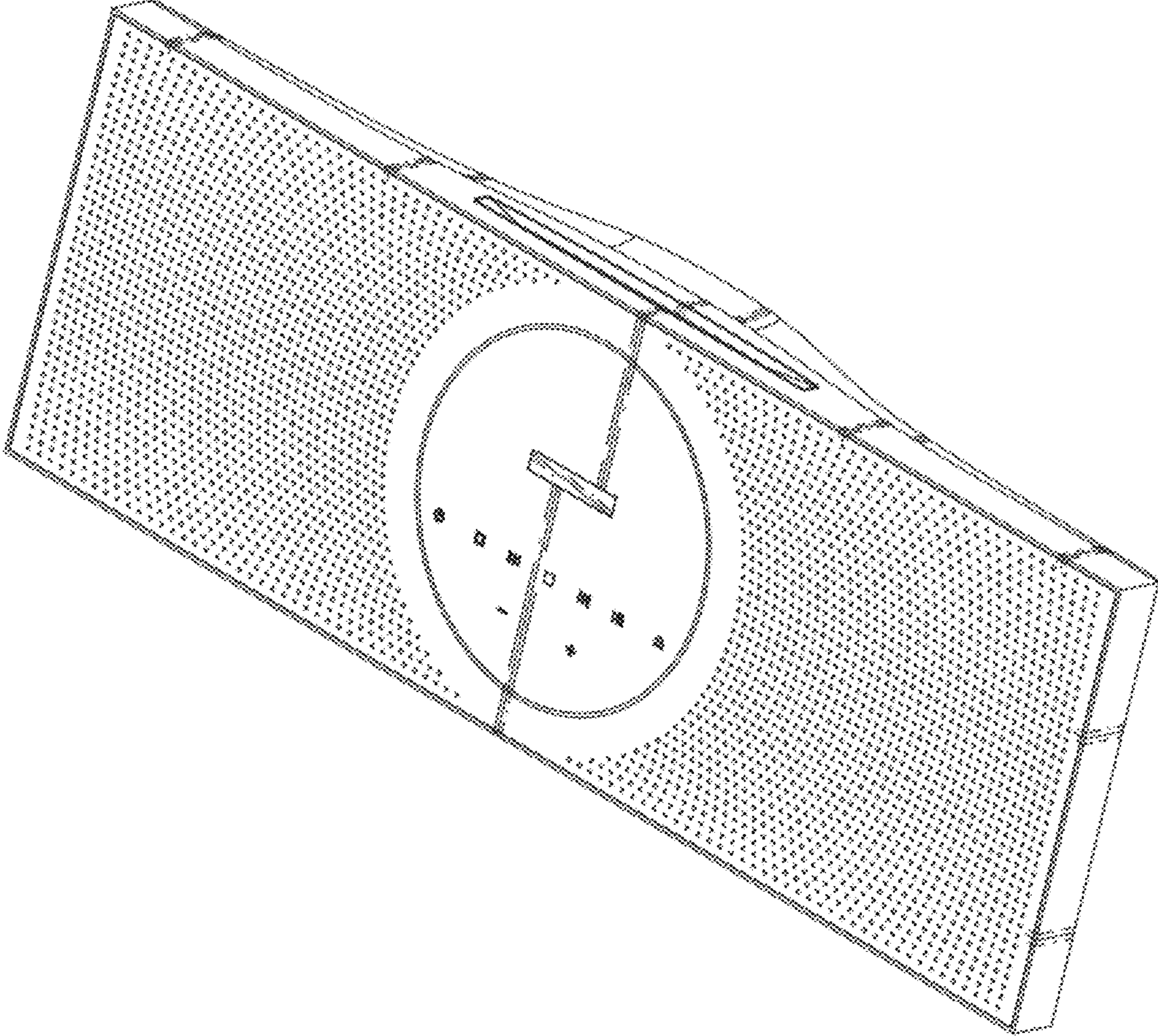


FIG. 2

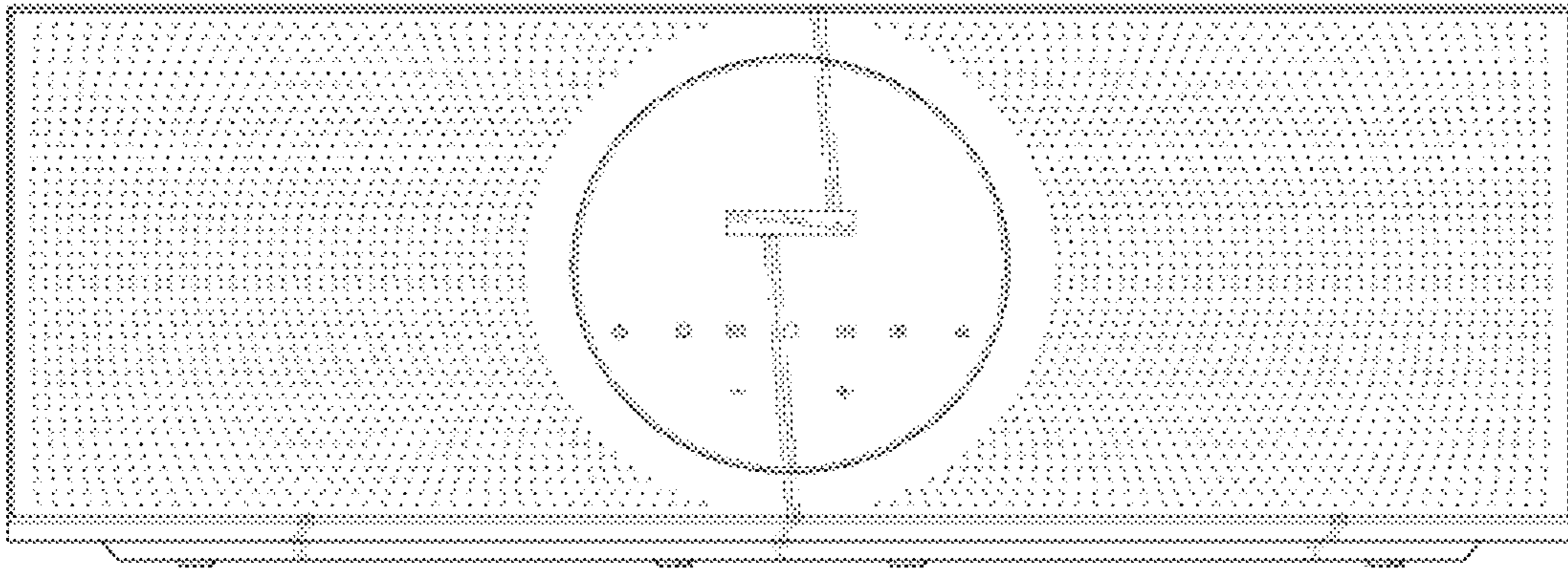


FIG. 3

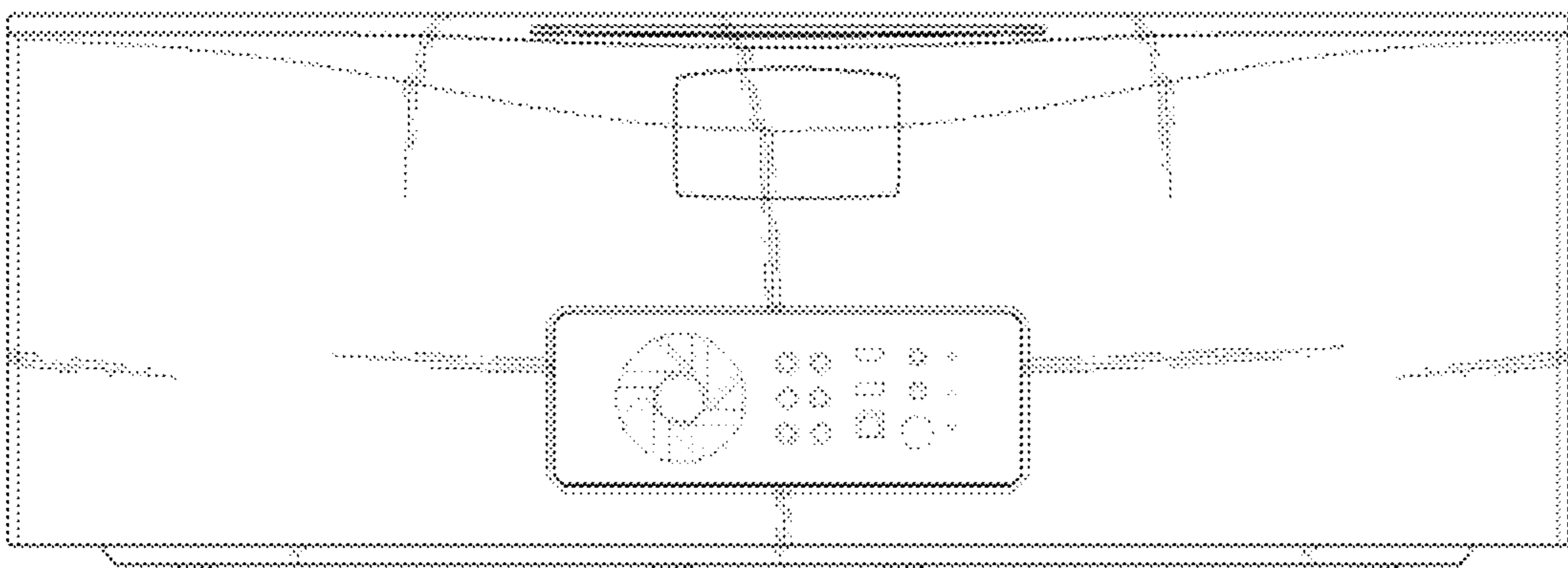


FIG. 4

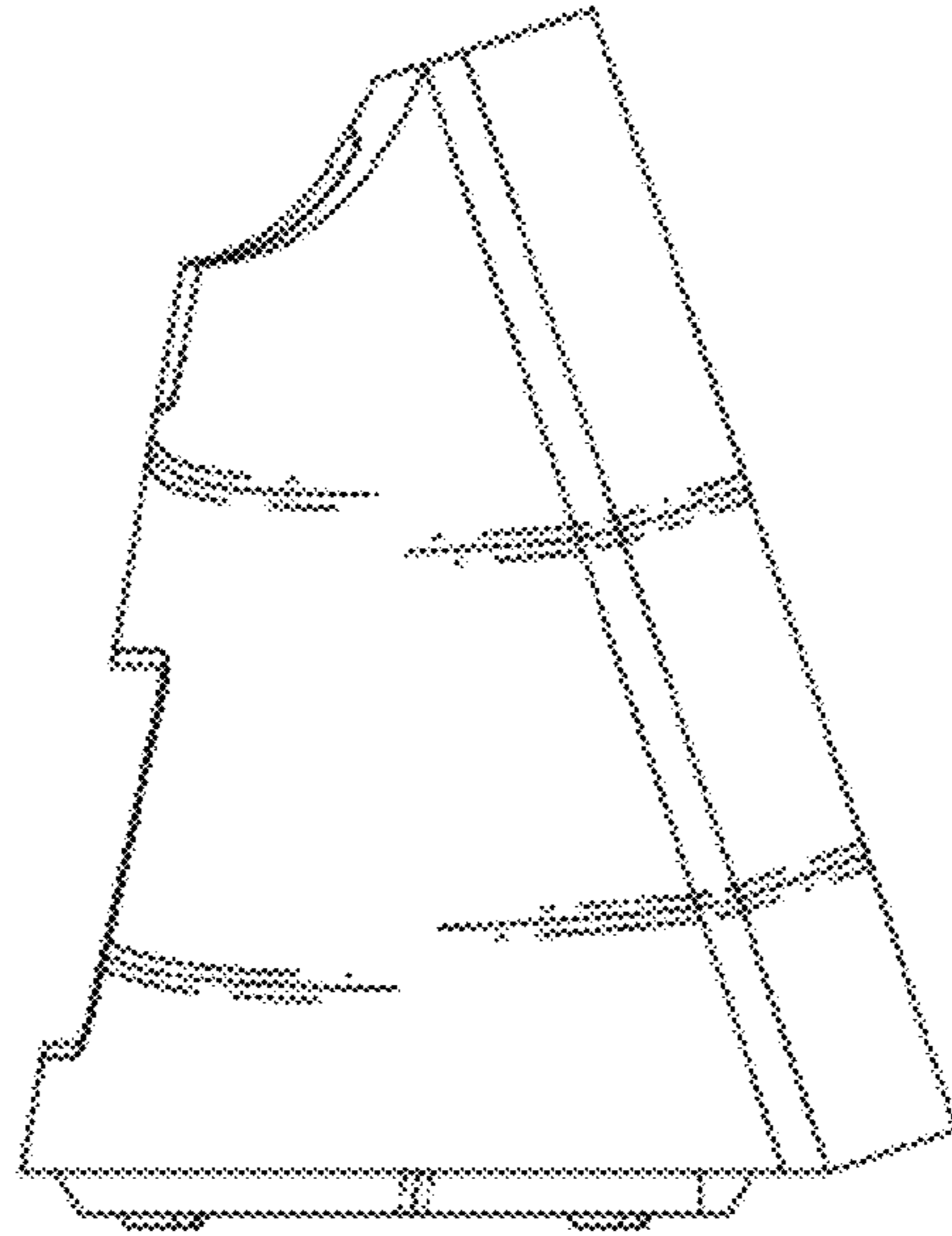


FIG. 5

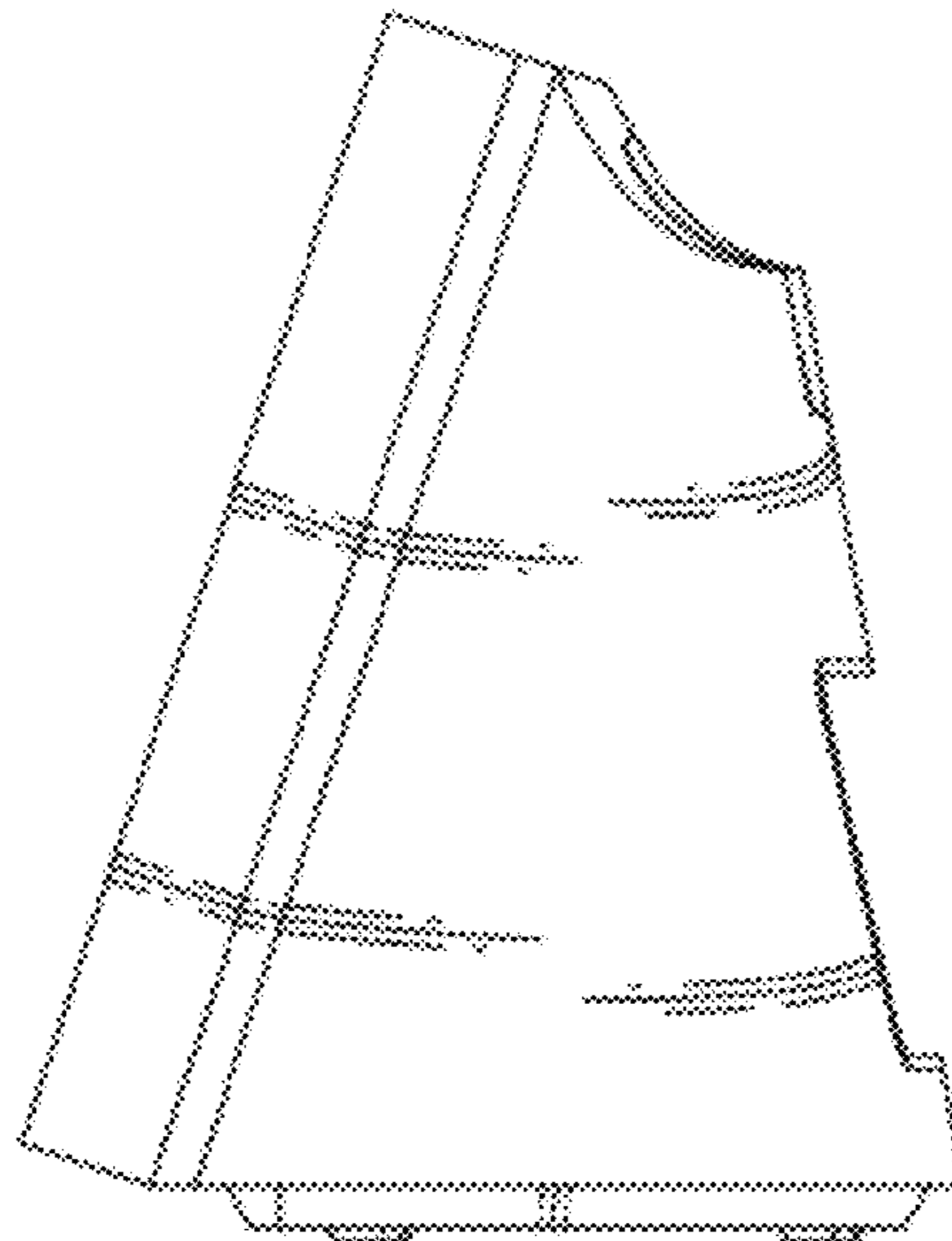


FIG. 6

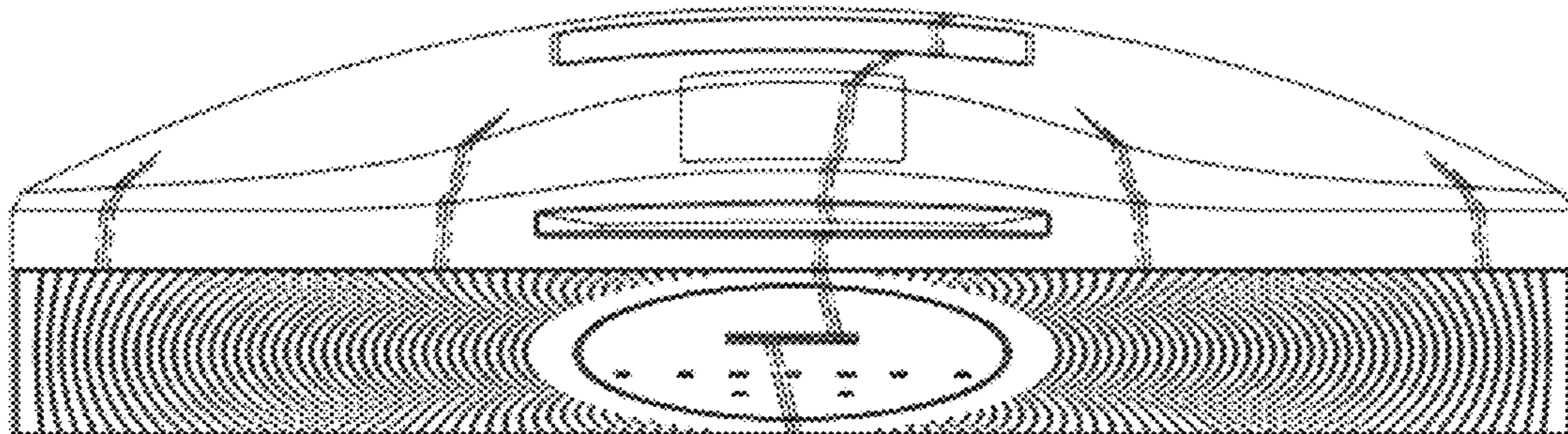


FIG. 7

