

US00D667842S

(12) **United States Design Patent**
Ouilhet

(10) **Patent No.:** **US D667,842 S**

(45) **Date of Patent:** **** Sep. 25, 2012**

(54) **ELECTRONIC DEVICE WITH A GRAPHICAL DISPLAY ELEMENT**

(75) Inventor: **Hector Ouilhet**, New York, NY (US)

(73) Assignee: **Google Inc.**, Mountain View, CA (US)

(**) Term: **14 Years**

(21) Appl. No.: **29/408,676**

(22) Filed: **Dec. 15, 2011**

Related U.S. Application Data

(62) Division of application No. 29/361,361, filed on May 10, 2010, now Pat. No. Des. 651,613.

(30) **Foreign Application Priority Data**

Apr. 22, 2010 (EM) 1698663-1
Apr. 22, 2010 (EM) 1698663-3

(51) **LOC (9) Cl.** **32-00**

(52) **U.S. Cl.** **D14/489**

(58) **Field of Classification Search** D14/485-495;
D18/26, 31-33; D20/11, 12, 23-25, 29-32,
D20/36-38; 715/700-867, 973-977

See application file for complete search history.

(56) **References Cited**

U.S. PATENT DOCUMENTS

D249,025 S * 8/1978 Nakamura D10/125
5,404,316 A * 4/1995 Klingler et al. 715/723
5,499,040 A * 3/1996 McLaughlin et al. 715/823
5,581,676 A * 12/1996 Ueno 345/440
5,657,460 A * 8/1997 Egan et al. 715/763
D403,673 S * 1/1999 Arora et al. D14/489
5,861,889 A * 1/1999 Wallace et al. 345/619

5,920,304 A * 7/1999 Berstis 715/861
6,067,085 A * 5/2000 Modh et al. 715/711
6,271,860 B1 * 8/2001 Gross 715/700
D450,710 S * 11/2001 Yoshioka D14/486
6,499,040 B1 * 12/2002 Vu et al. 715/209
D474,782 S * 5/2003 Okuley D14/489
6,697,079 B2 * 2/2004 Rose 345/593
D501,210 S * 1/2005 Cook D14/486
6,892,354 B1 * 5/2005 Servan-Schreiber et al. . 715/733
7,036,090 B1 * 4/2006 Nguyen 715/834
D591,305 S * 4/2009 Shimoda D14/485
D593,107 S * 5/2009 Shimoda et al. D14/485

(Continued)

OTHER PUBLICATIONS

1000 Icons, Symbols + Pictograms: Visual Communication for Every Language, Rockport Publishers, Gloucester, MA © 2006, p. 165.*

(Continued)

Primary Examiner — Karen E Kearney

(74) *Attorney, Agent, or Firm* — Fish & Richardson P.C.

(57) **CLAIM**

The ornamental design for an electronic device with a graphical display element, as shown and described.

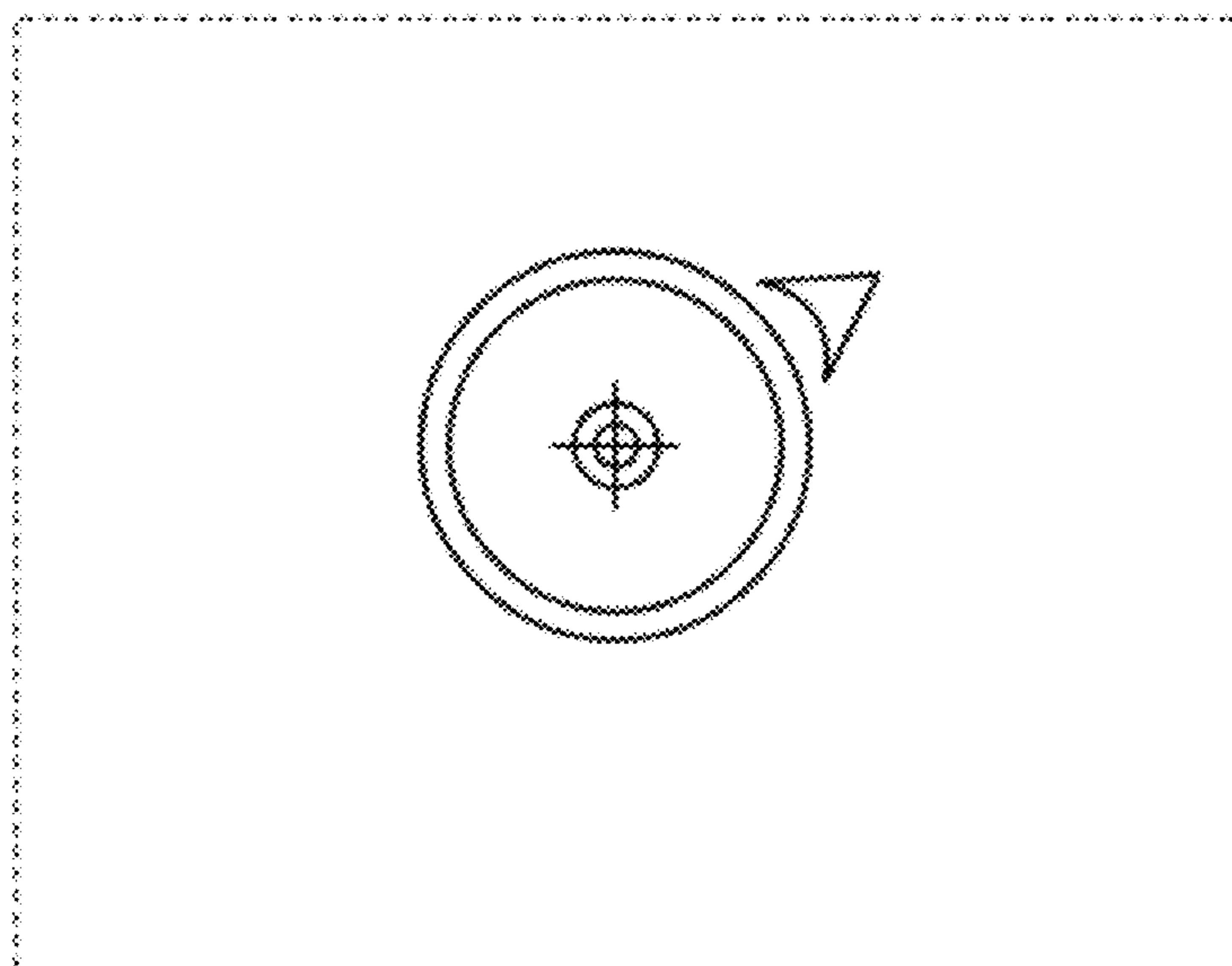
DESCRIPTION

FIG. 1 is a front view of an electronic device with a graphical display element; and,

FIG. 2 is a front view thereof, shown without the broken lines illustrating the text and various portions of the graphical display element.

The broken line showing of the electronic device in all the figures and the broken line showings of the text and various portions of the graphical display element in FIG. 1 form no part of the claimed design.

1 Claim, 1 Drawing Sheet



US D667,842 S

Page 2

U.S. PATENT DOCUMENTS

D601,570	S	*	10/2009	Vu et al.	D14/485
D601,571	S	*	10/2009	Vu et al.	D14/485
D602,027	S	*	10/2009	Queric	D14/485
D619,614	S	*	7/2010	O'Mullan et al.	D14/489
D623,658	S	*	9/2010	Fitzmaurice et al.	D14/489
D625,733	S	*	10/2010	Anzures	D14/486
D642,195	S	*	7/2011	Marks et al.	D14/490
D650,798	S	*	12/2011	Impas et al.	D14/492
D651,611	S	*	1/2012	Ouilhet et al.	D14/489
D651,613	S	*	1/2012	Ouilhet	D14/491
2002/0163538	A1	*	11/2002	Shteyn	345/752
2005/0132305	A1	*	6/2005	Guichard et al.	715/855
2007/0124677	A1	*	5/2007	de los Reyes et al.	715/705

OTHER PUBLICATIONS

Emigre Fonts, [online], [retrieved on Apr. 24, 2008]. Retrieved from the Internet <URL: <http://www.user-experience-blog.de/archives/poppi.gif>>.*

Iconfactory : Freeware : Clipper System 2, [online] Released Jan. 20, 2004 [retrieved on Apr. 4, 2007]. Retrieved from the Internet <URL: <http://iconfactory.com/freeware/preview/clp2>>.*

Iconfactory : Freeware : Rollie, [online] Released on Jan. 31, 2003 [retrieved on Jan. 4, 2007]. Retrieved from the Internet <URL: <http://iconfactory.com/freeware/preview/roll>>.*

* cited by examiner

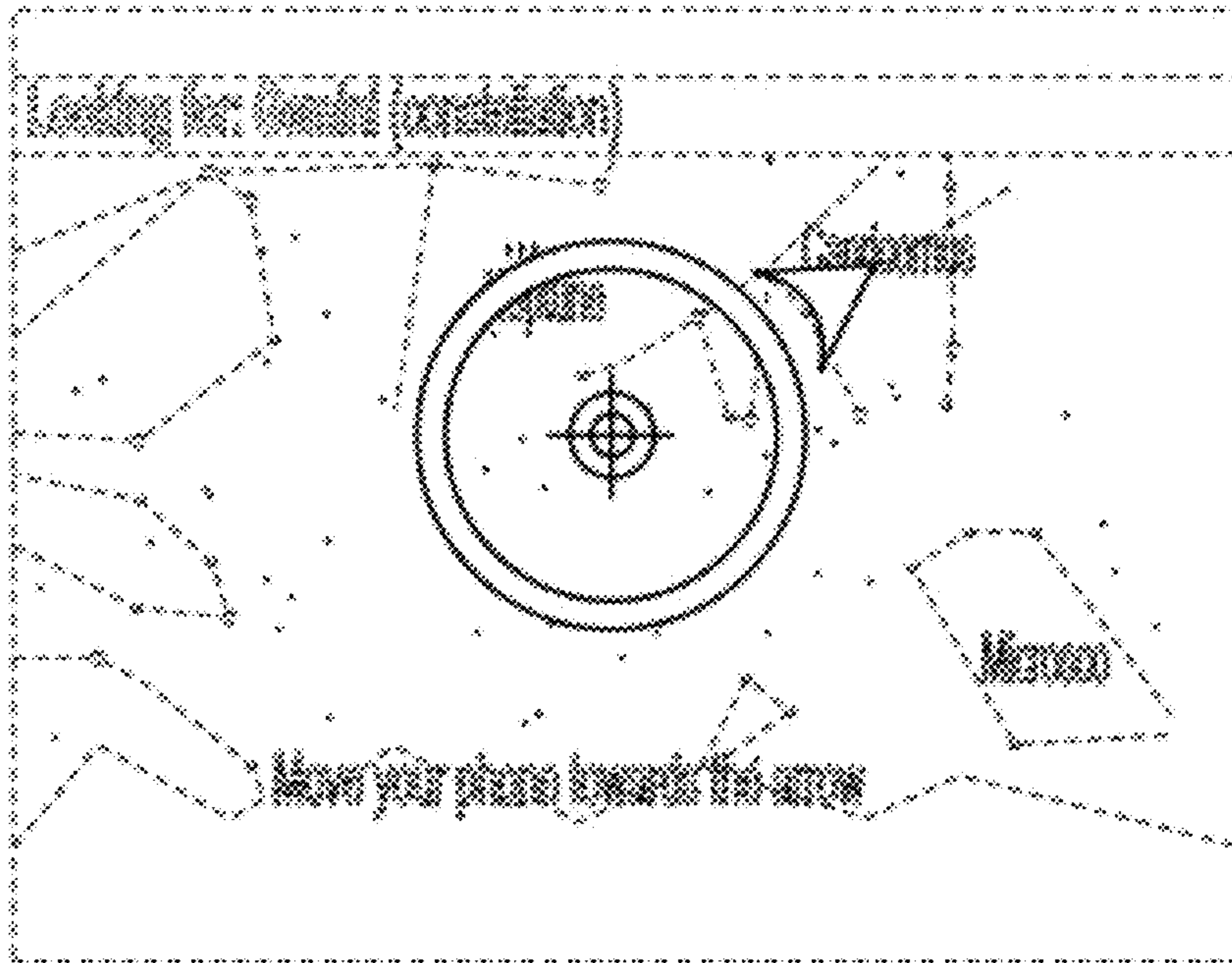


FIG. 1

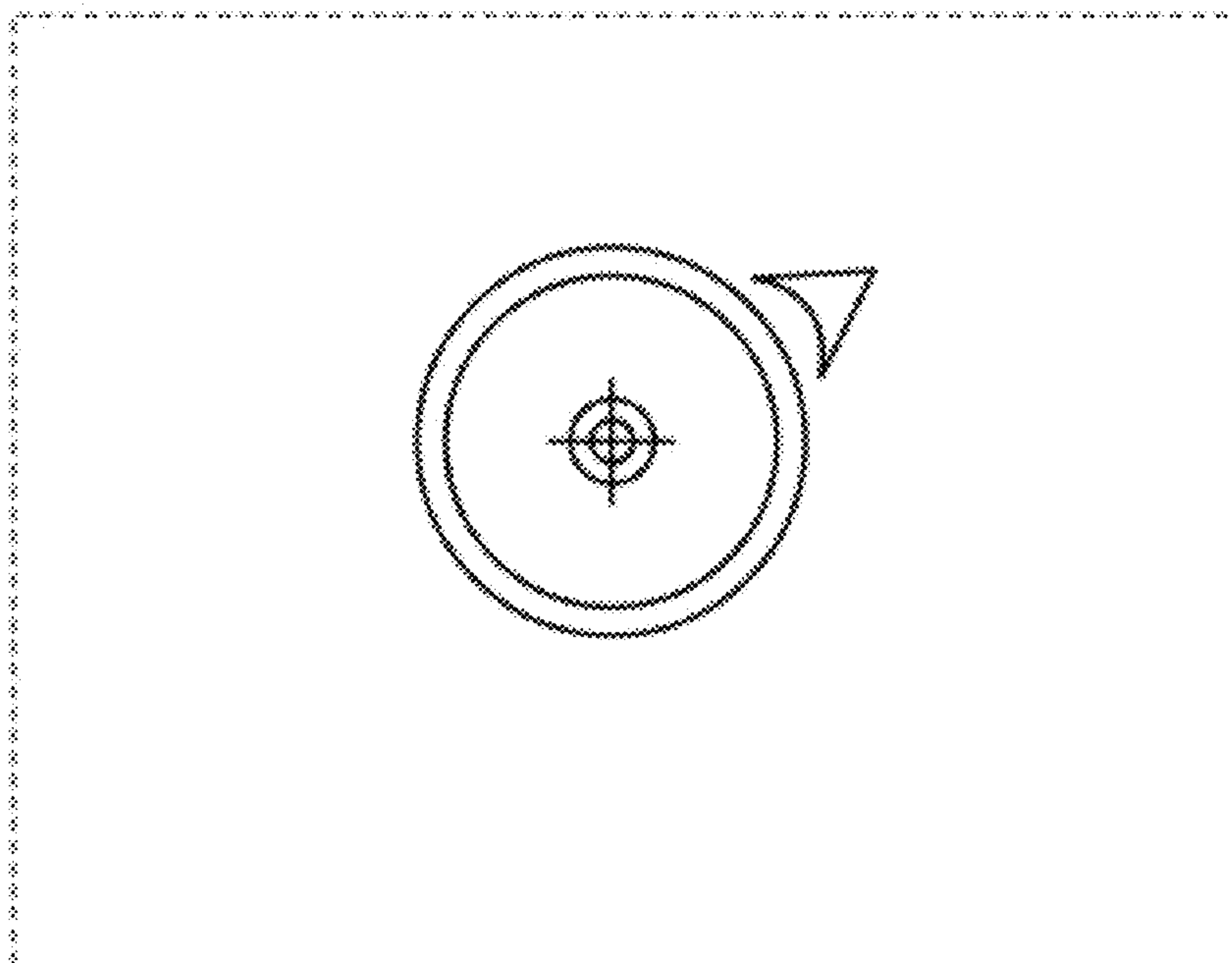


FIG. 2