

US00D667832S

(12) **United States Design Patent**
Zhou

(10) **Patent No.:** **US D667,832 S**

(45) **Date of Patent:** **** Sep. 25, 2012**

(54) **FLASH DRIVE**

(75) Inventor: **Hai-Qing Zhou**, Shenzhen (CN)

(73) Assignee: **Hon Hai Precision Industry Co., Ltd.**,
Tu-Cheng, New Taipei (TW)

(**) Term: **14 Years**

(21) Appl. No.: **29/400,764**

(22) Filed: **Aug. 31, 2011**

(51) **LOC (9) Cl.** **14-02**

(52) **U.S. Cl.** **D14/480.6**

(58) **Field of Classification Search** D14/411,
D14/433, 435, 435.1, 436-438, 480.1-480.7,
D14/484.1, 137, 155, 203.1-203.8, 240;
D13/133, 146-147, 154; 710/300, 301; 439/131,
439/135-147; 361/679.31, 679.33, 679.4,
361/752; 711/100, 115

See application file for complete search history.

(56) **References Cited**

U.S. PATENT DOCUMENTS

D556,197	S	*	11/2007	Blankenship et al.	D14/480.6
D572,250	S	*	7/2008	Yang	D14/435.1
7,530,823	B1	*	5/2009	Thornton et al.	439/136
D606,077	S	*	12/2009	Hu et al.	D14/480.1
D612,384	S	*	3/2010	Kim et al.	D14/435.1

7,672,122	B2	*	3/2010	Lin et al.	361/679.31
7,833,029	B2	*	11/2010	Choi et al.	439/135
8,029,302	B1	*	10/2011	Duan	439/142
8,085,544	B2	*	12/2011	Zhao	361/737
D656,149	S	*	3/2012	Schlossstein	D14/480.7
2005/0079738	A1	*	4/2005	Ahn	439/1
2007/0101060	A1	*	5/2007	Robinson et al.	711/115
2008/0192149	A1	*	8/2008	Lee	348/725

* cited by examiner

Primary Examiner — Karen E Kearney

(74) *Attorney, Agent, or Firm* — Altis Law Group, Inc.

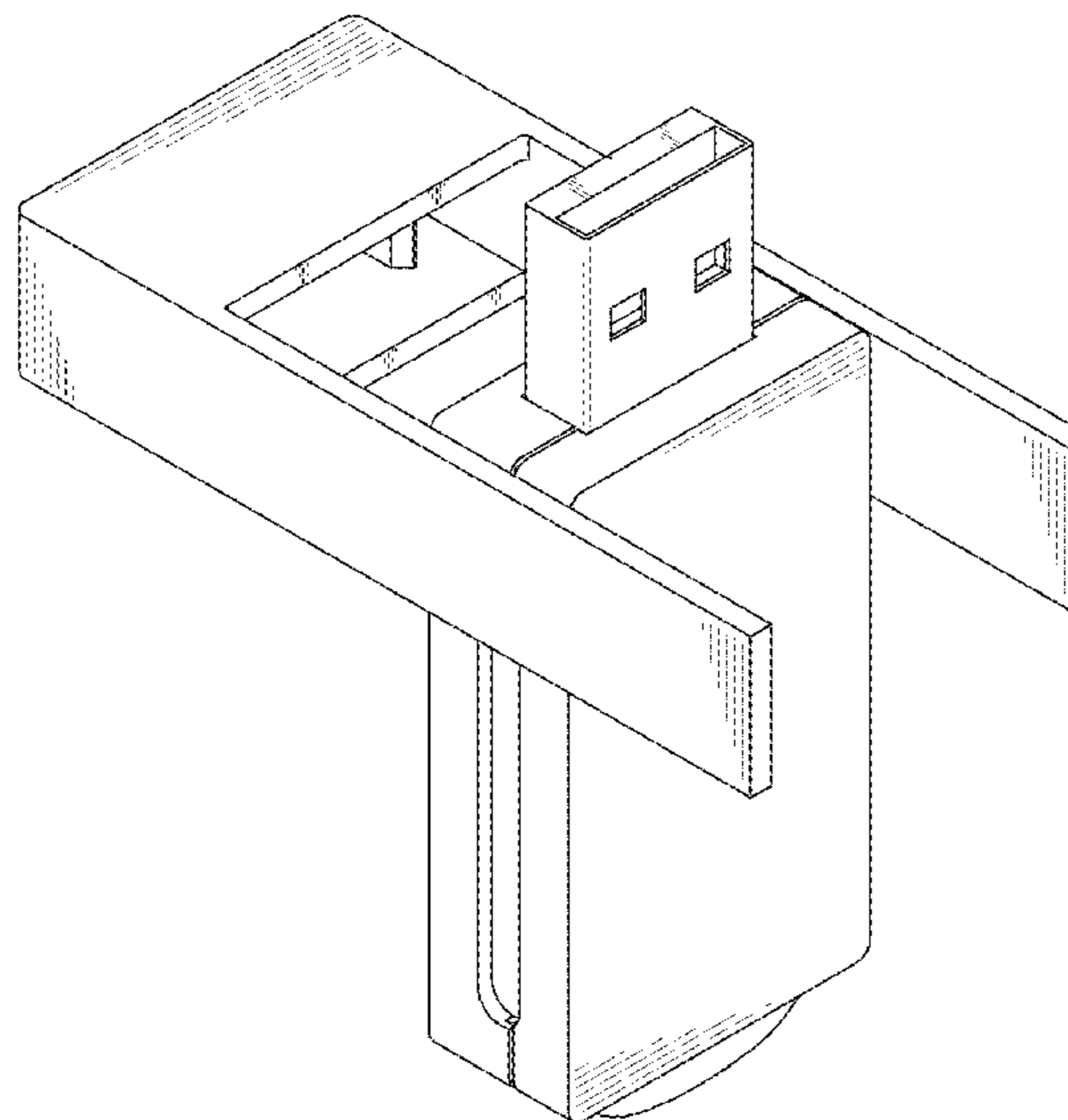
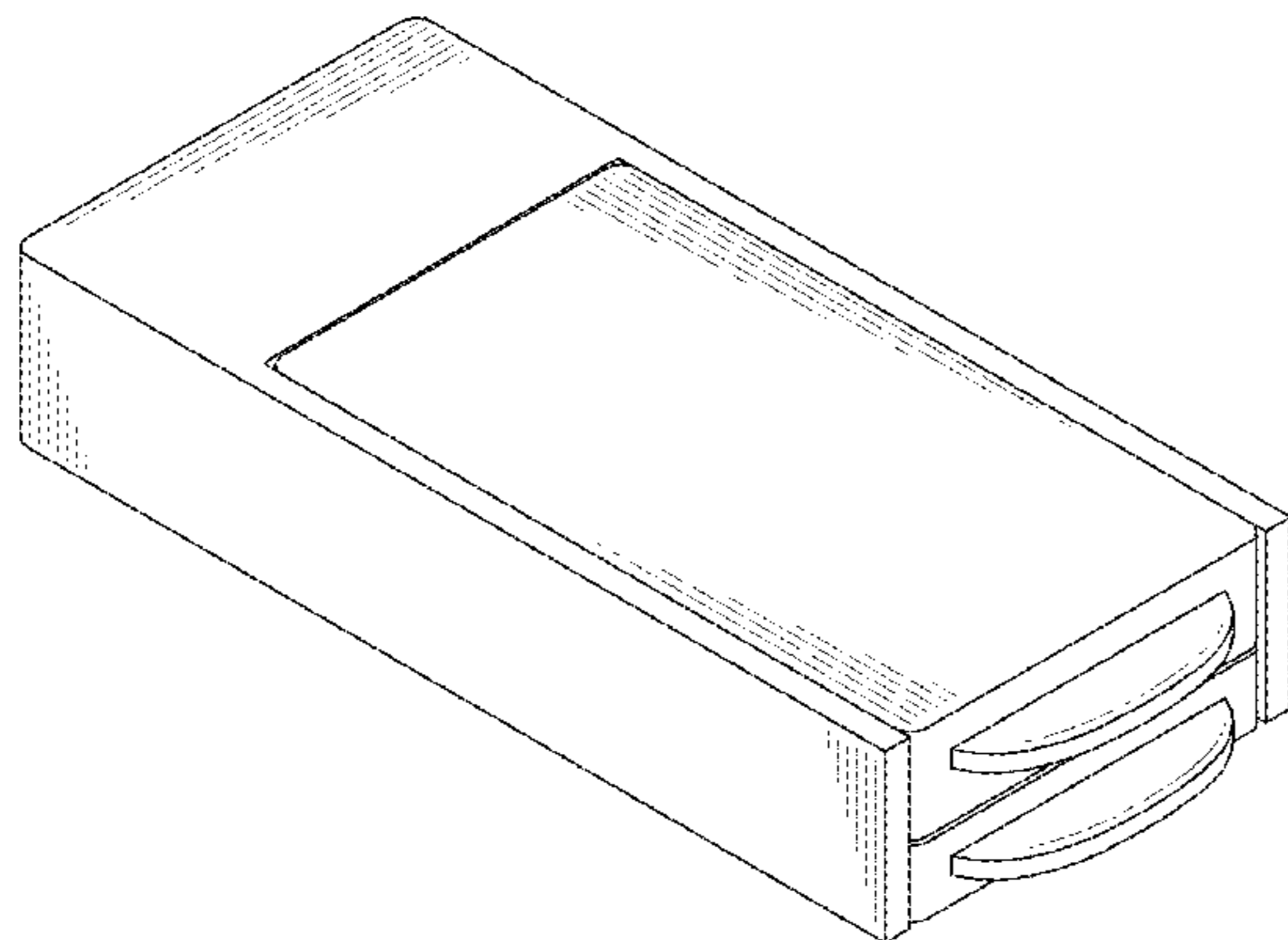
(57) **CLAIM**

The ornamental design for a flash drive, as shown and described.

DESCRIPTION

FIG. 1 is a perspective view of a flash drive showing my design;
 FIG. 2 is a front elevational view thereof;
 FIG. 3 is a left-side, elevational view thereof;
 FIG. 4 is a right-side, elevational view thereof;
 FIG. 5 is a top plan view thereof;
 FIG. 6 is a perspective view of FIG. 1 with a plug portion rotated 90 degrees; and,
 FIG. 7 is a perspective view of FIG. 1 with the plug portion rotated 180 degrees.

1 Claim, 7 Drawing Sheets



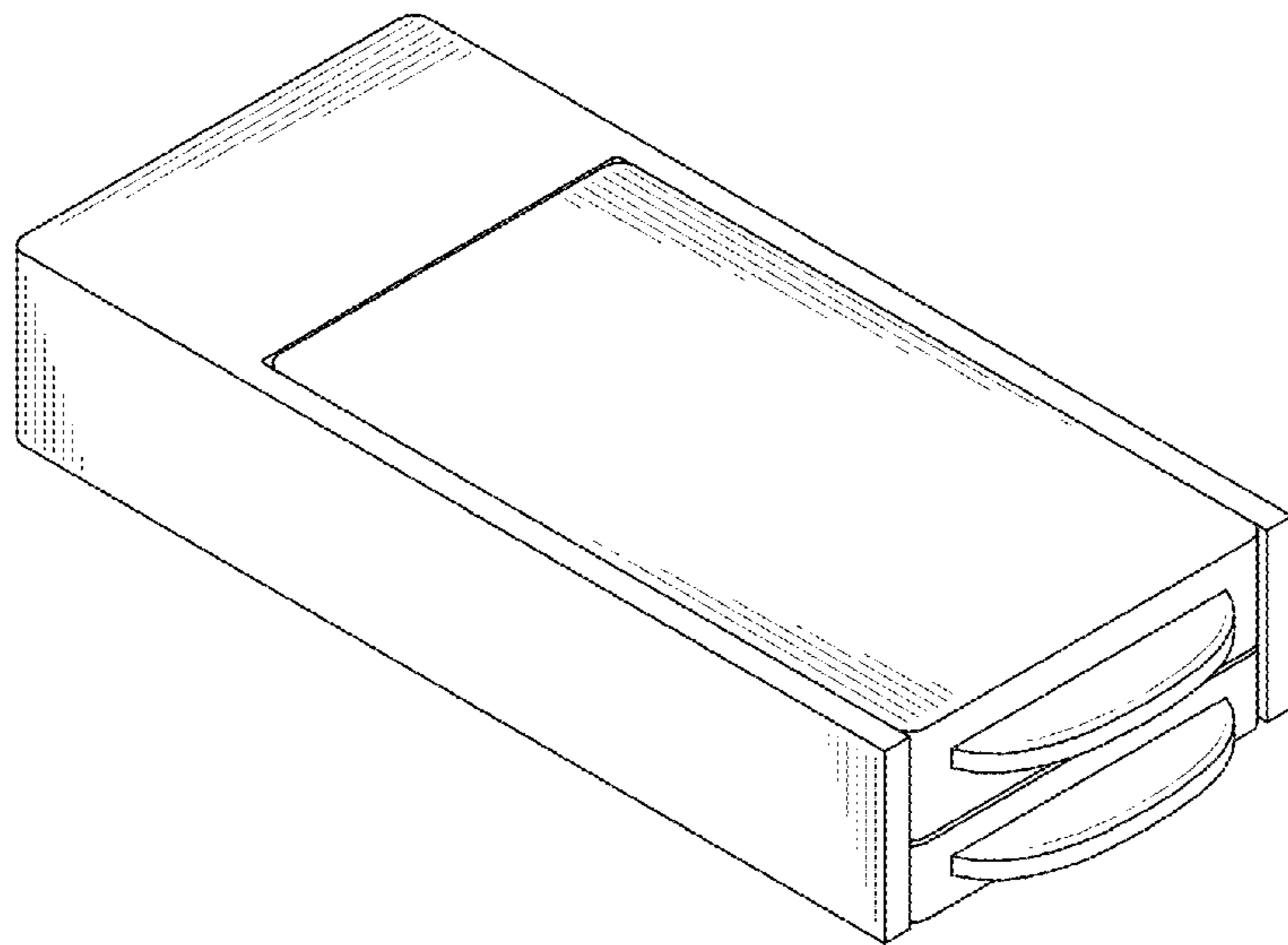


FIG. 1

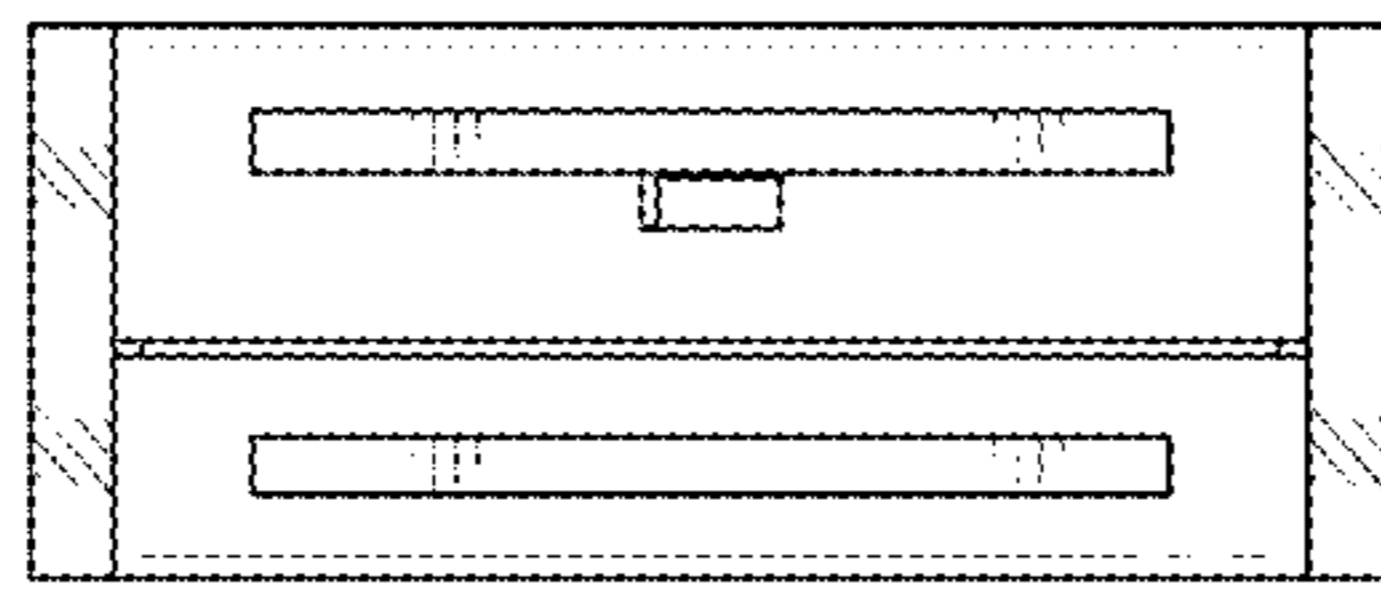


FIG. 2

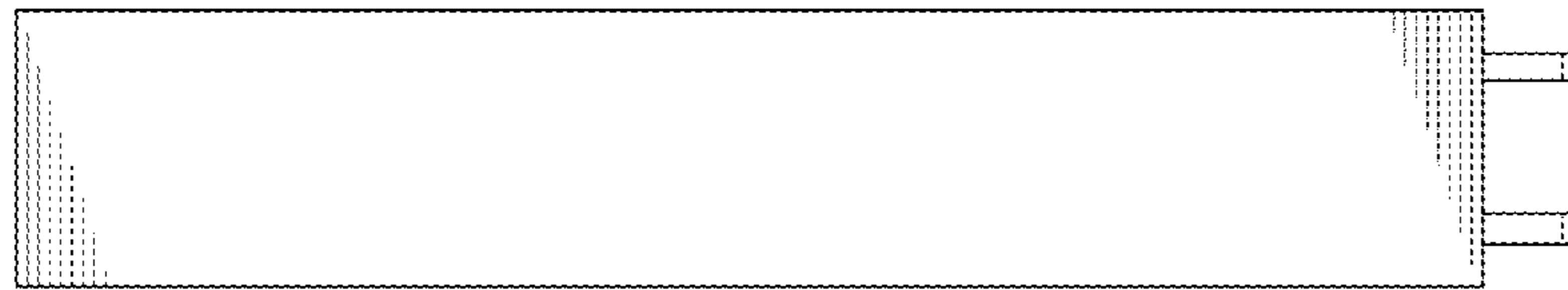


FIG. 3



FIG. 4

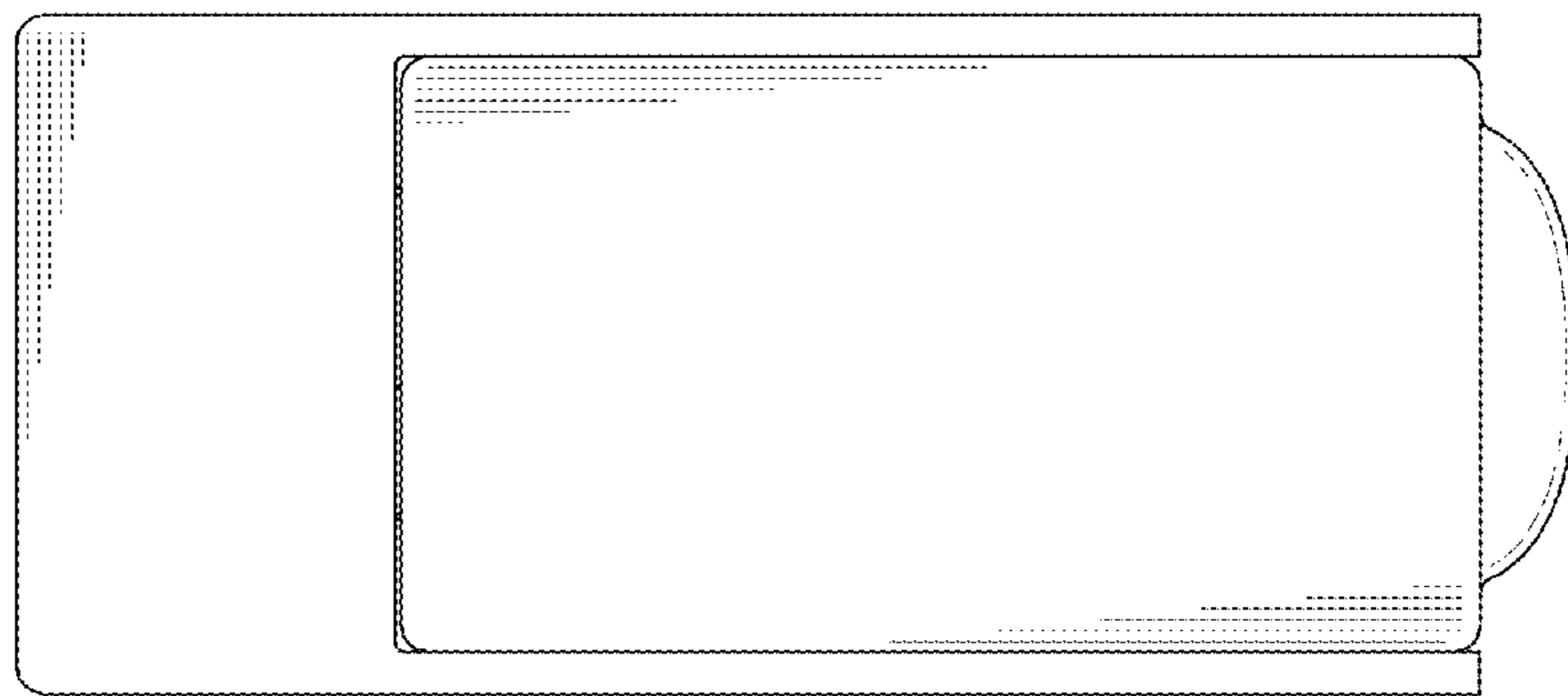


FIG. 5

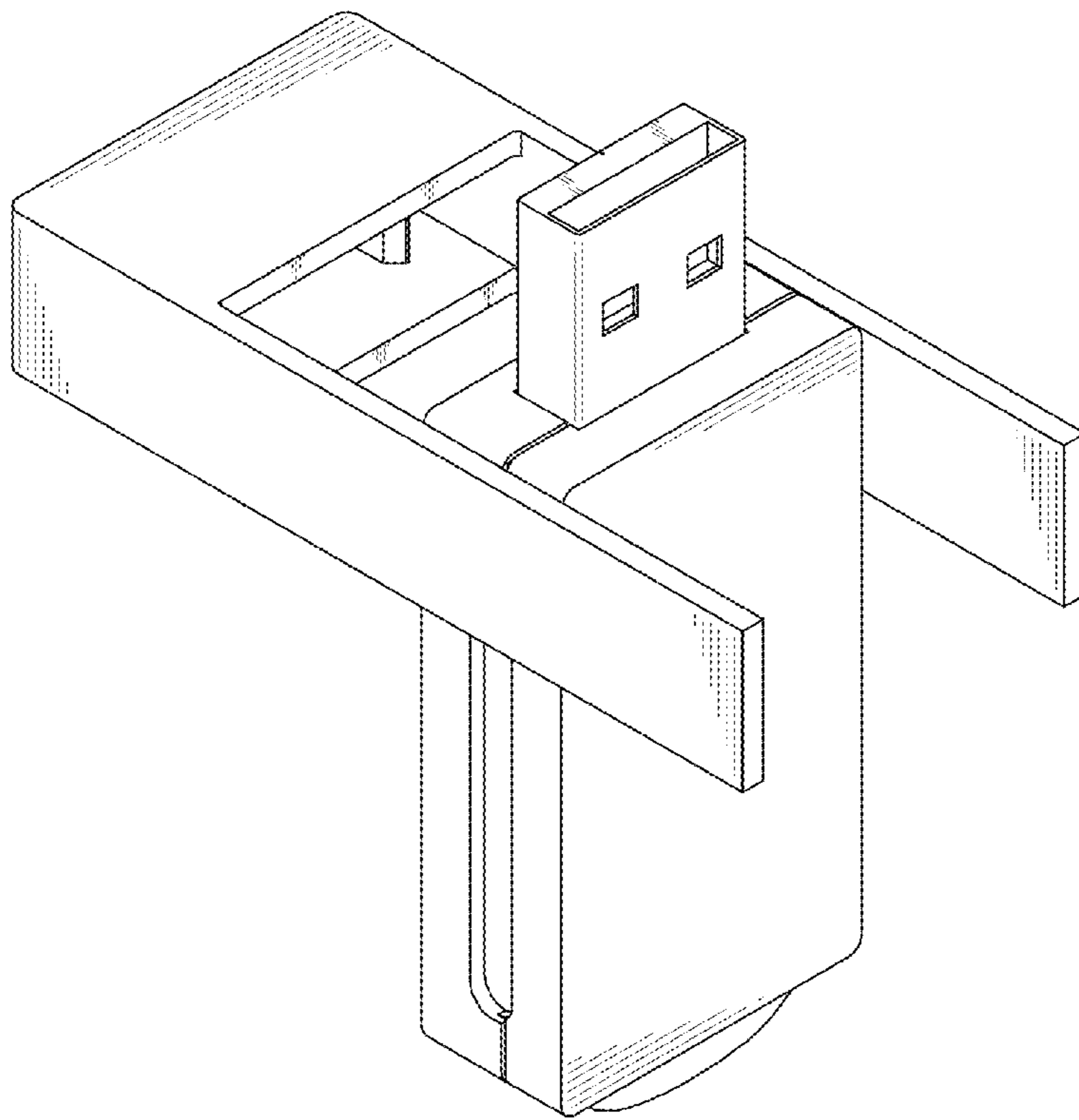


FIG. 6

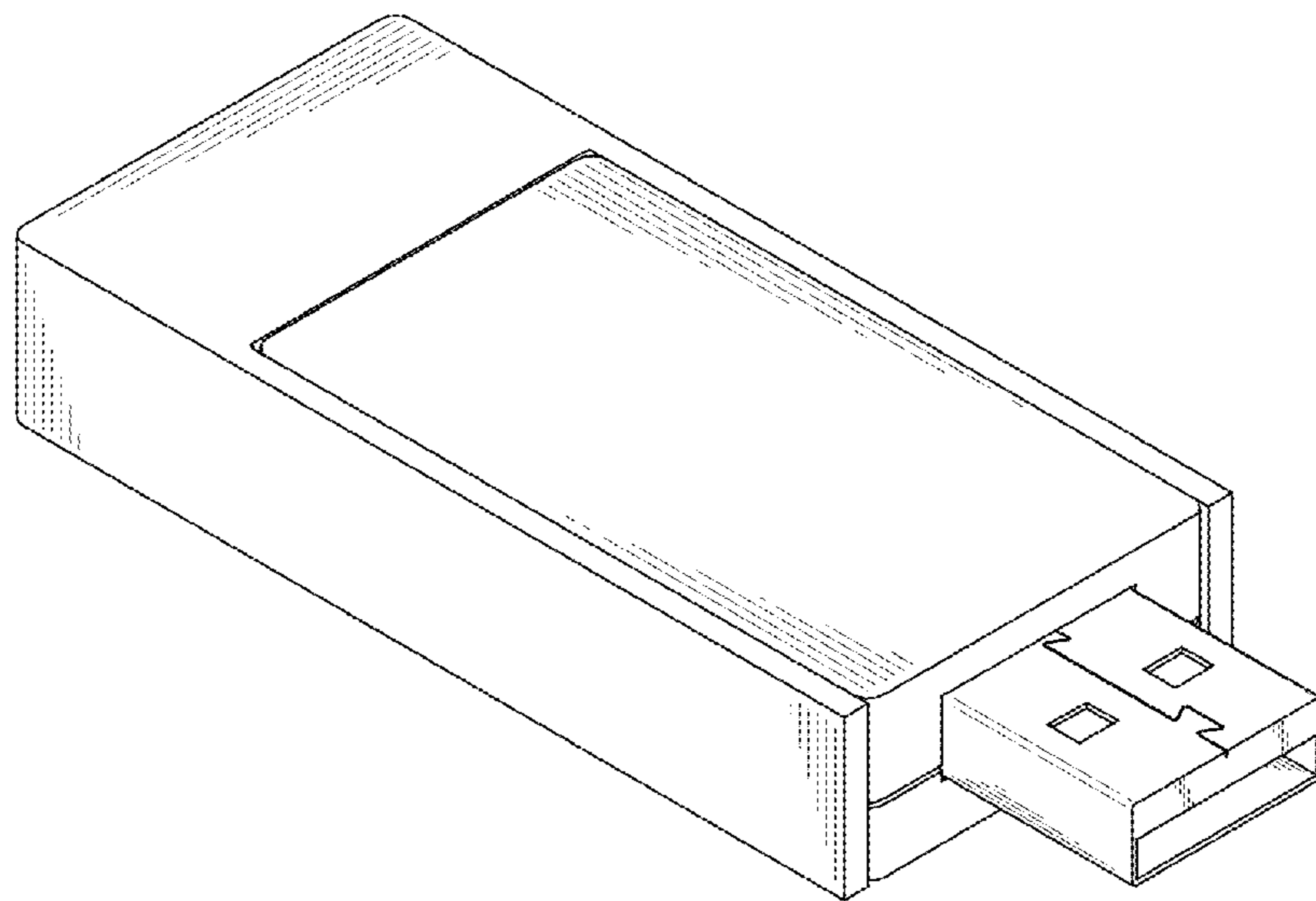


FIG. 7