



US00D667831S

(12) **United States Design Patent**
Stravitz

(10) **Patent No.:** **US D667,831 S**

(45) **Date of Patent:** **** Sep. 25, 2012**

(54) **TABLET STAND**

(75) **Inventor:** **David M. Stravitz**, New York, NY (US)

(73) **Assignee:** **Block and Company, Inc.**, Wheeling, IL (US)

(**) **Term:** **14 Years**

(21) **Appl. No.:** **29/418,167**

(22) **Filed:** **Apr. 12, 2012**

(51) **LOC (9) Cl.** **08-07**

(52) **U.S. Cl.** **D14/447**

(58) **Field of Classification Search** D14/447,
D14/432, 433, 434, 439, 448, 451, 452, 217,
D14/239, 250, 251, 253, 238.1; D13/107,
D13/108; D21/333; D6/300, 310, 311, 312,
D6/406.1, 406.2, 406.3, 406.4, 406.5, 406.6,
D6/419; D8/363, 373, 380

See application file for complete search history.

(56) **References Cited**

U.S. PATENT DOCUMENTS

4,607,817	A *	8/1986	Aquino	248/459
4,709,895	A *	12/1987	Mardak	248/460
4,722,504	A *	2/1988	Degenholtz	248/459
4,975,137	A *	12/1990	Cross	156/223
4,991,812	A *	2/1991	MacEwan	248/459
D328,314	S *	7/1992	MacEwan	D19/91

D362,565	S *	9/1995	Tubbs et al.	D6/419
5,722,628	A *	3/1998	Menaged	248/441.1
D639,814	S *	6/2011	Farris-Gilbert et al.	D14/447
D639,816	S *	6/2011	Bau	D14/447
D641,177	S *	7/2011	Chamberlain	D6/310
D656,500	S *	3/2012	Maruyama et al.	D14/447
2008/0230672	A1 *	9/2008	Pachowski	248/453
2009/0272658	A1 *	11/2009	Elias et al.	206/45.23
2010/0294909	A1 *	11/2010	Hauser et al.	248/456

* cited by examiner

Primary Examiner — Angela J Lee

(74) *Attorney, Agent, or Firm* — Holtz, Holtz, Goodman & Chick, PC

(57) **CLAIM**

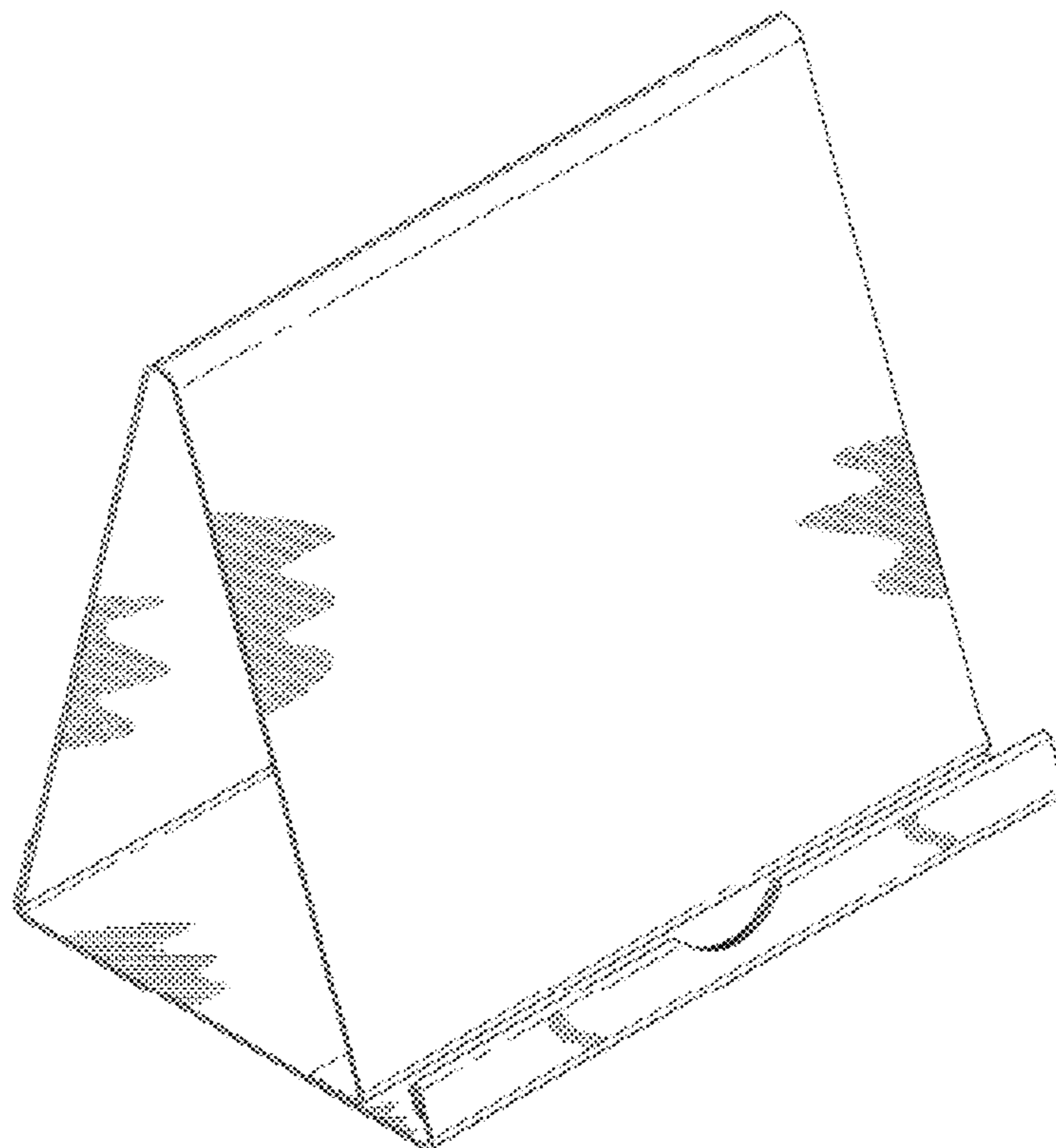
The ornamental design for a tablet stand, as shown and described.

DESCRIPTION

FIG. 1 is a front, top, left side perspective view of a tablet stand showing my new design;
FIG. 2 is a front, top, right side perspective view thereof;
FIG. 3 is a front elevational view thereof;
FIG. 4 is a rear elevational view thereof;
FIG. 5 is a left side view thereof;
FIG. 6 is a right side view thereof;
FIG. 7 is a top plan view thereof; and,
FIG. 8 is a bottom plan view thereof.

The broken line portions shown in the drawings are for illustrative purposes only and form no part of the claimed design.

1 Claim, 7 Drawing Sheets



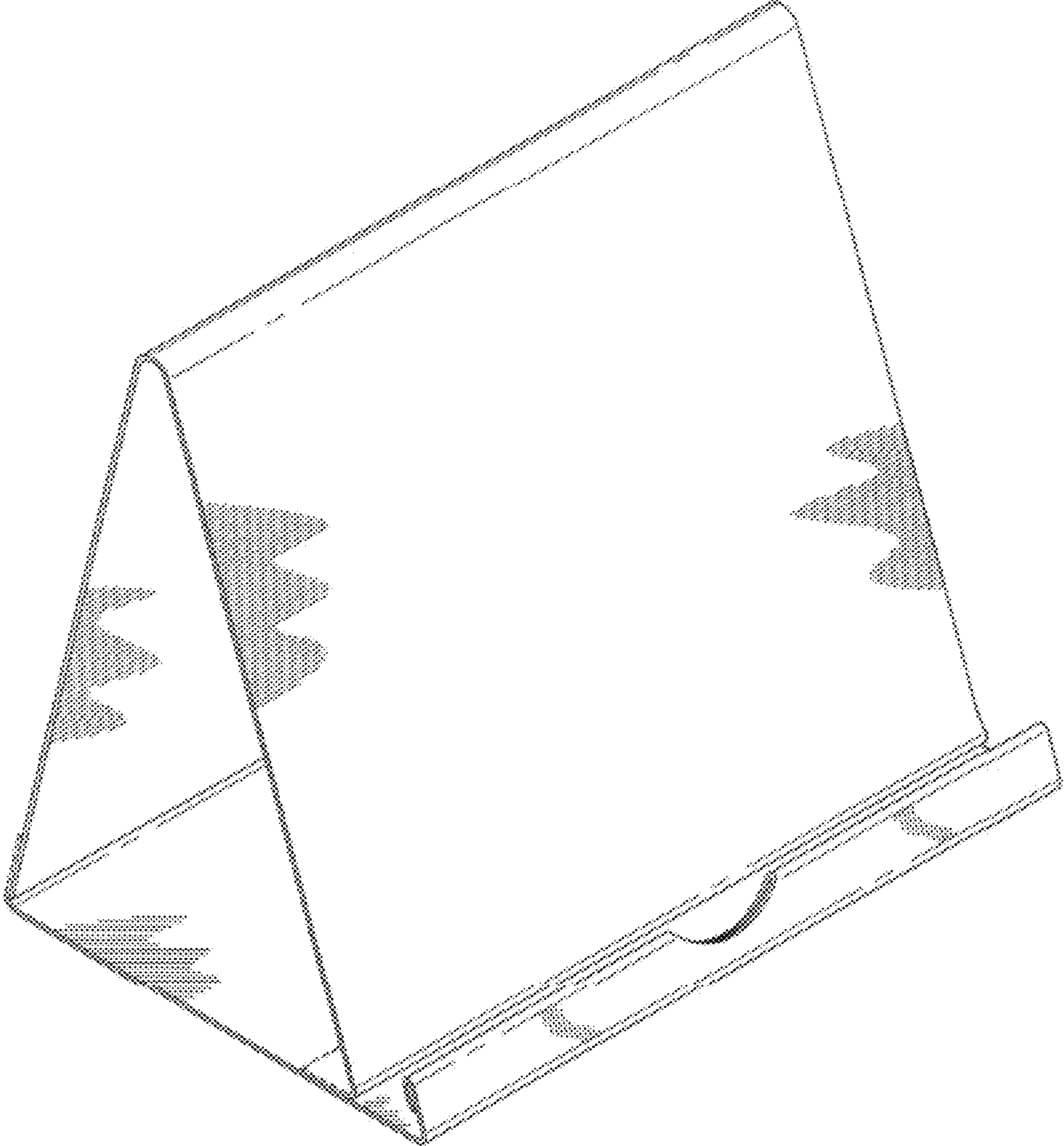


FIG. 1

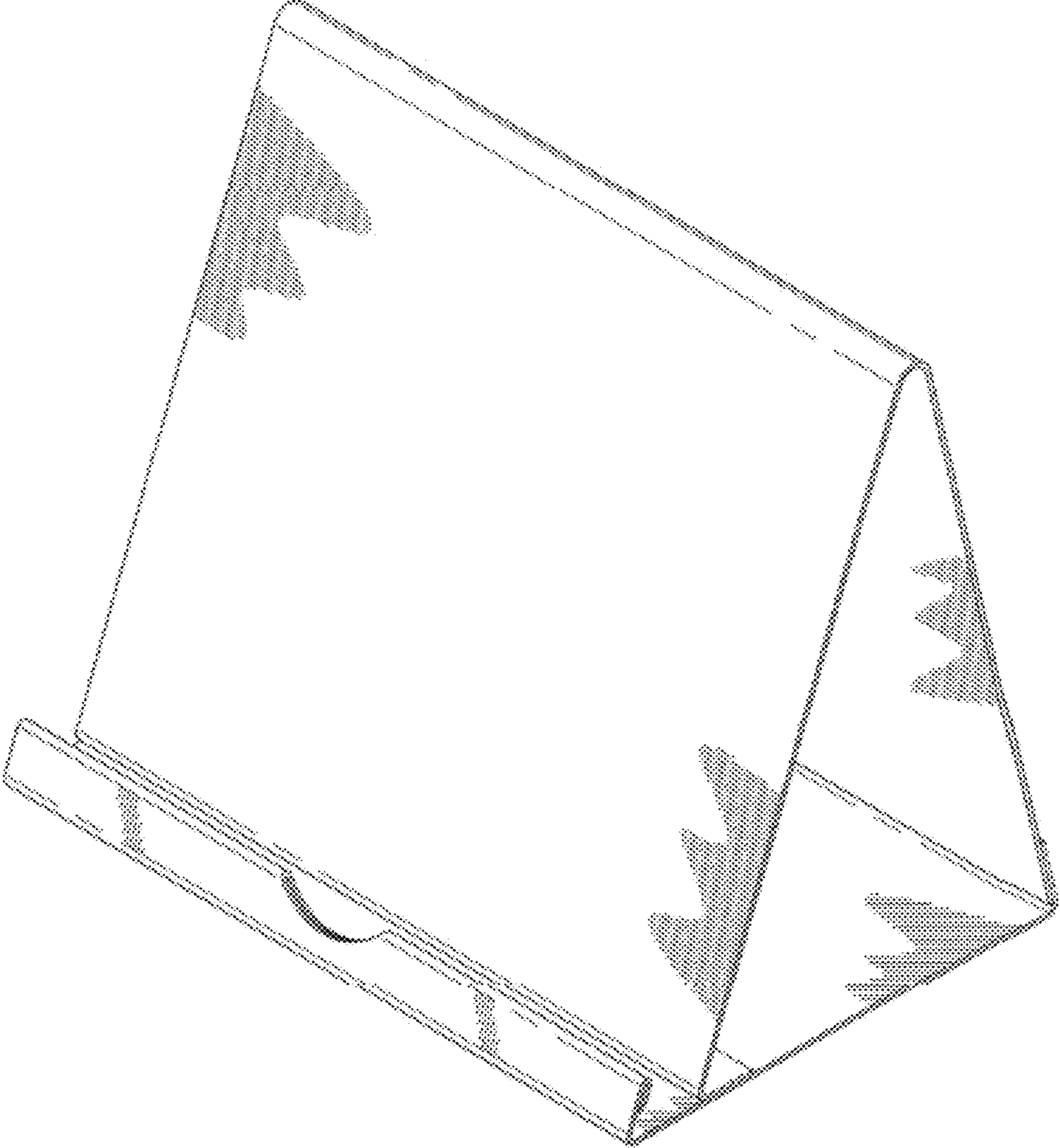


FIG. 2

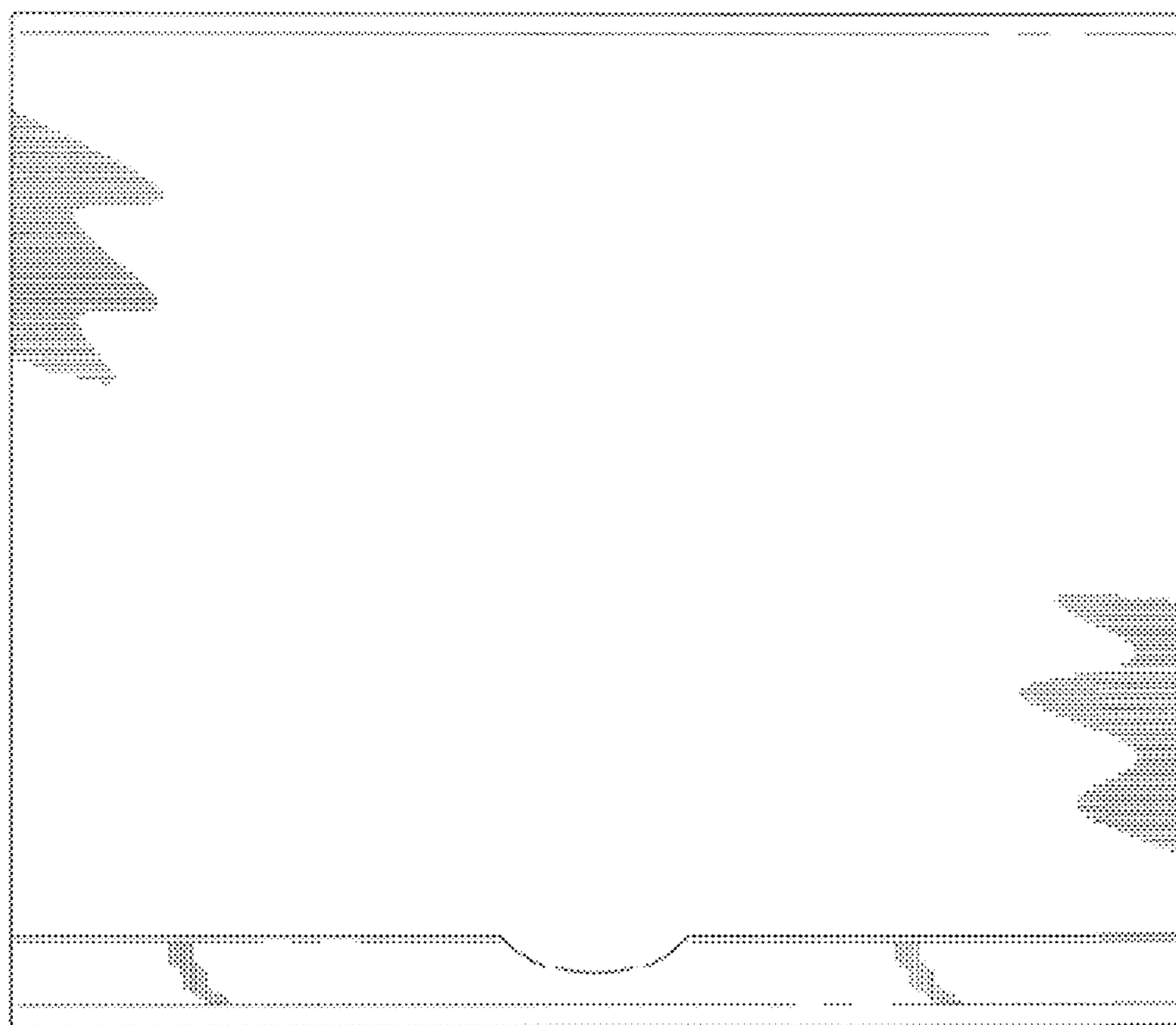


FIG. 3

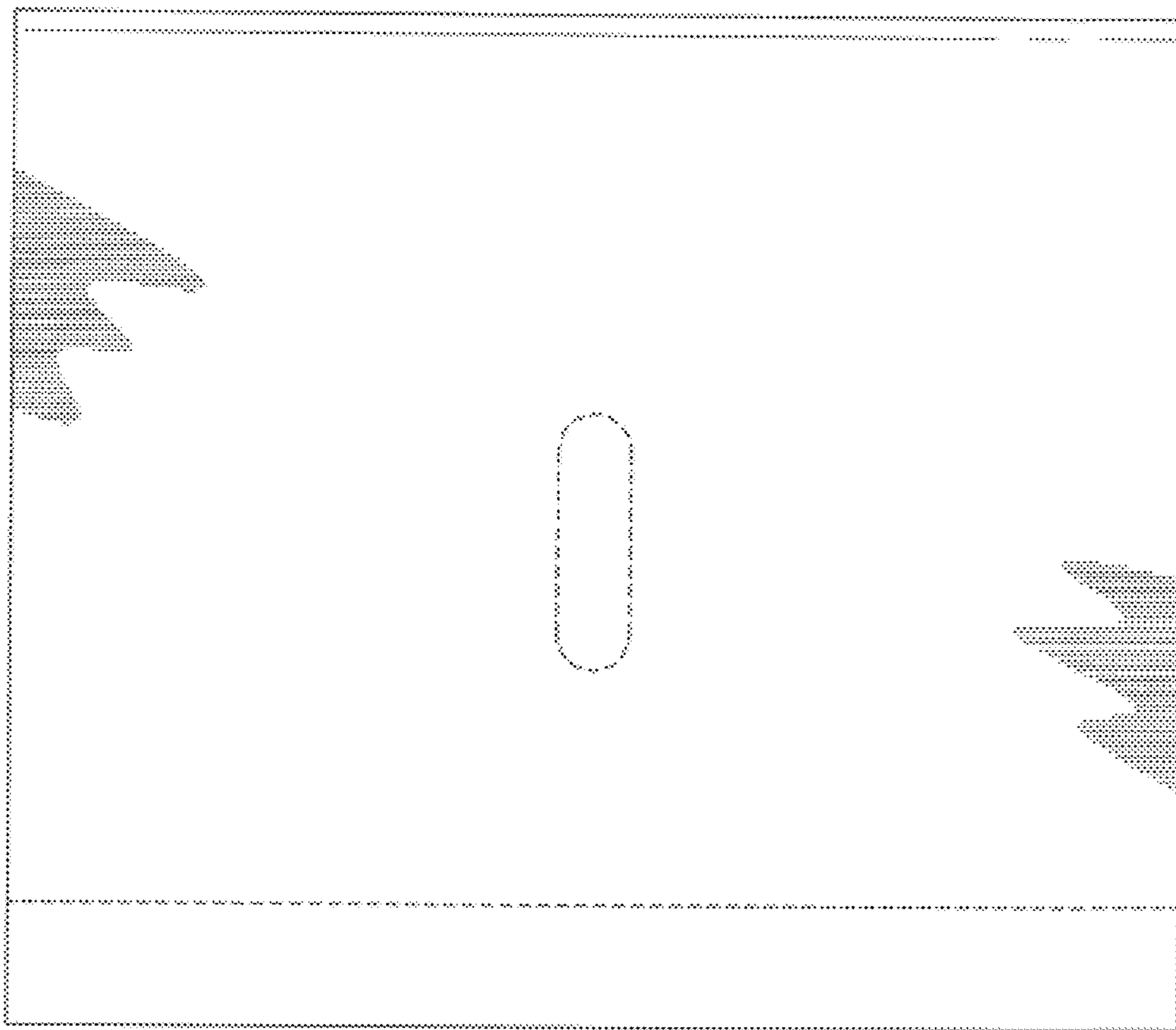


FIG. 4

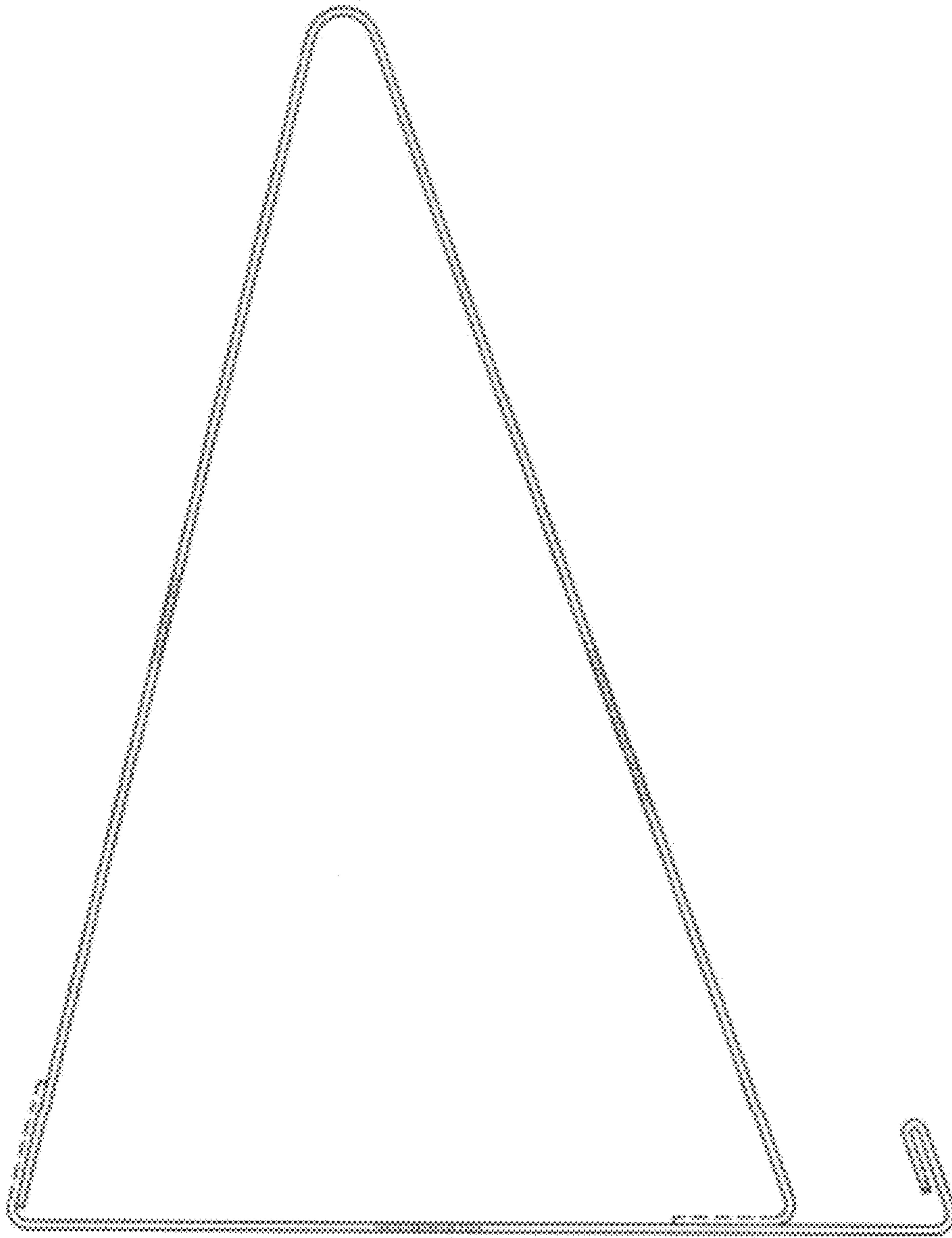


FIG. 5

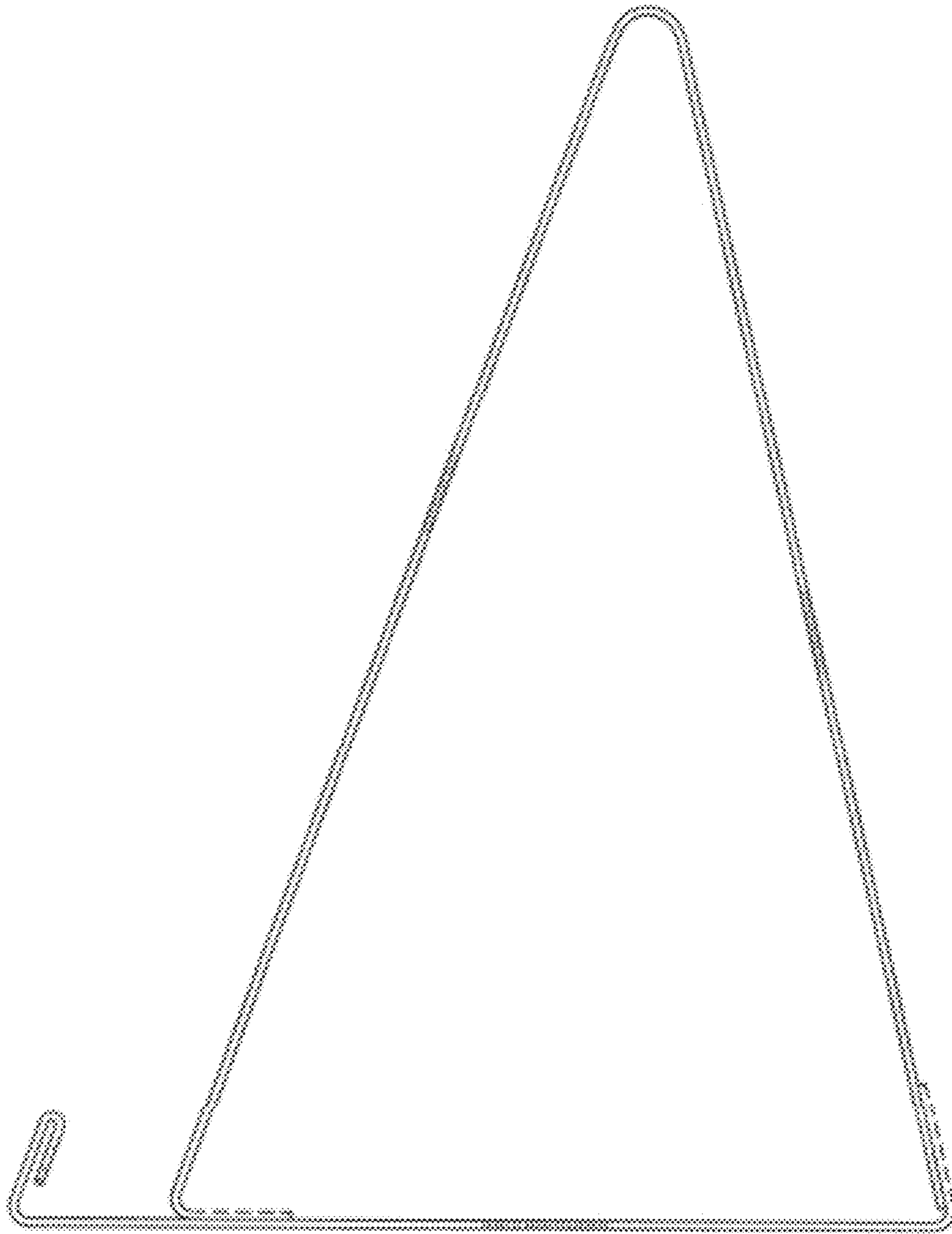


FIG. 6

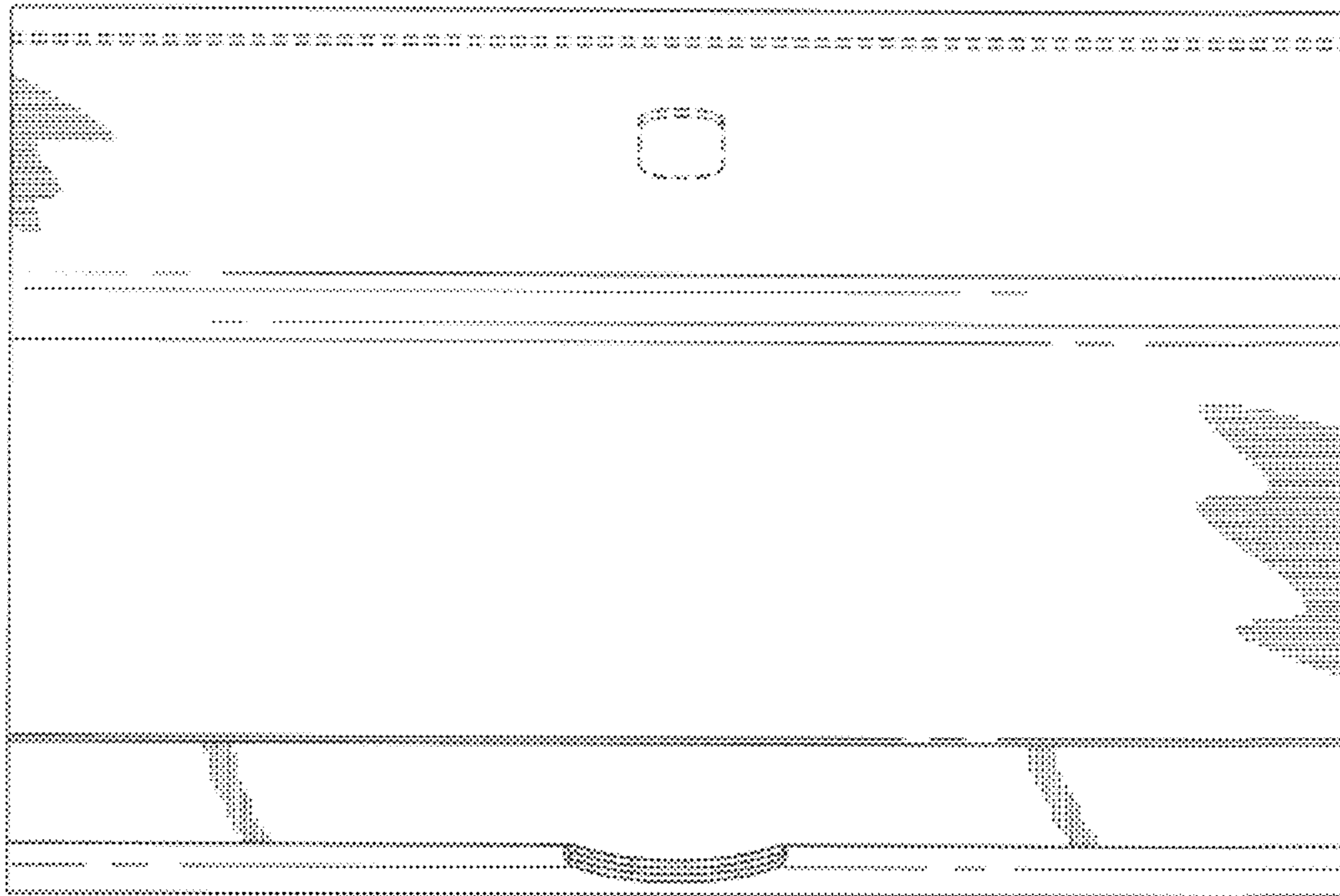


FIG. 7

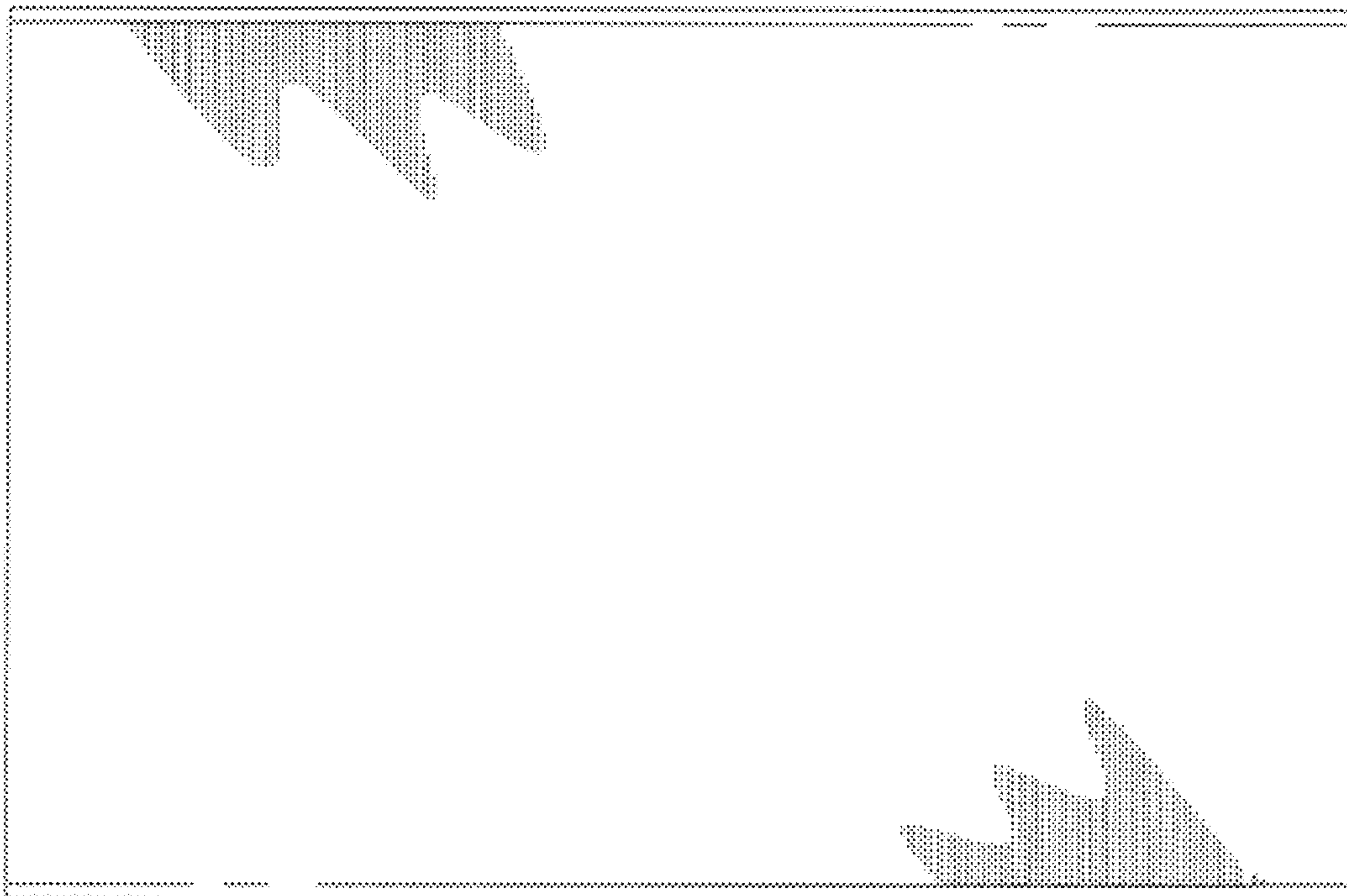


FIG. 8