

US00D667830S

(12) **United States Design Patent**
Seoc et al.

(10) **Patent No.:** **US D667,830 S**

(45) **Date of Patent:** **** Sep. 25, 2012**

(54) **SD MEMORY CARD**

(75) Inventors: **Ho-Young Seoc**, Kyunggi-do (KR);
Eun-Young Kim, Kyunggi-do (KR);
Hyung-Sup Shim, Seoul (KR)

(73) Assignee: **Samsung Electronics Co., Ltd.**,
Kyunggi-do (KR)

(**) Term: **14 Years**

(21) Appl. No.: **29/419,527**

(22) Filed: **Apr. 30, 2012**

(30) **Foreign Application Priority Data**

Nov. 29, 2011 (KR) 30-2011-0050368

(51) **LOC (9) Cl.** **14-02**

(52) **U.S. Cl.** **D14/436**

(58) **Field of Classification Search** D14/435-438,
D14/478-480; 235/441, 443, 487, 492, 493,
235/495; 361/737, 679, 752, 736, 728, 796,
361/797, 729, 730, 725-727; 257/678, 679,
257/693, E23.064; 439/946, 948, 159; 174/250,
174/260, 52.1, 52.2; 710/300-303; 438/121
See application file for complete search history.

(56) **References Cited**

U.S. PATENT DOCUMENTS

D407,392	S *	3/1999	Kleineidam	D14/479
5,933,328	A *	8/1999	Wallace et al.	361/737
6,085,412	A *	7/2000	Iwasaki	29/827
D444,473	S *	7/2001	Okamoto et al.	D14/436
D445,111	S *	7/2001	Okamoto et al.	D14/436
D446,525	S *	8/2001	Okamoto et al.	D14/436
6,270,365	B1 *	8/2001	Nishioka	439/159
D452,243	S *	12/2001	Wallace	D14/436
D452,864	S *	1/2002	Wallace et al.	D14/436
D453,934	S *	2/2002	Wallace et al.	D14/436
6,381,143	B1 *	4/2002	Nakamura	361/737
D457,887	S *	5/2002	Kadonaga	D14/436
6,394,827	B2 *	5/2002	Nogami	439/159
D459,355	S *	6/2002	Shimoda et al.	D14/436

D460,456	S *	7/2002	Shimoda et al.	D14/436
6,433,285	B2 *	8/2002	Maeda et al.	174/260
D467,586	S *	12/2002	Shimoda et al.	D14/436
6,490,667	B1 *	12/2002	Ikeda	711/163
6,540,560	B1 *	4/2003	Ito et al.	439/633
6,580,615	B1 *	6/2003	Nakanishi et al.	361/737
6,590,778	B1 *	7/2003	Hojo et al.	361/737
6,609,919	B2 *	8/2003	Ito et al.	439/159
6,612,498	B1 *	9/2003	Lipponen et al.	235/486
6,617,673	B2 *	9/2003	Lee et al.	257/676
6,641,413	B2 *	11/2003	Kuroda	439/159
6,646,885	B1 *	11/2003	Yu et al.	361/737
6,655,972	B2 *	12/2003	Sato	439/159
6,669,487	B1 *	12/2003	Nishizawa et al.	439/60
6,686,663	B2 *	2/2004	Masuda et al.	257/777
6,699,053	B2 *	3/2004	Kuroda	439/218
6,699,061	B2 *	3/2004	Abe et al.	439/377
6,709,281	B2 *	3/2004	Shishikura et al.	439/188

(Continued)

OTHER PUBLICATIONS

U.S. Appl. No. 29/419,525, Applicant: Ho-Young Seoc, et al., filed Apr. 30, 2012 entitled SD Memory Card.

(Continued)

Primary Examiner — Susan Moon Lee

(74) *Attorney, Agent, or Firm* — Flynn, Thiel, Boutell & Tanis, P.C.

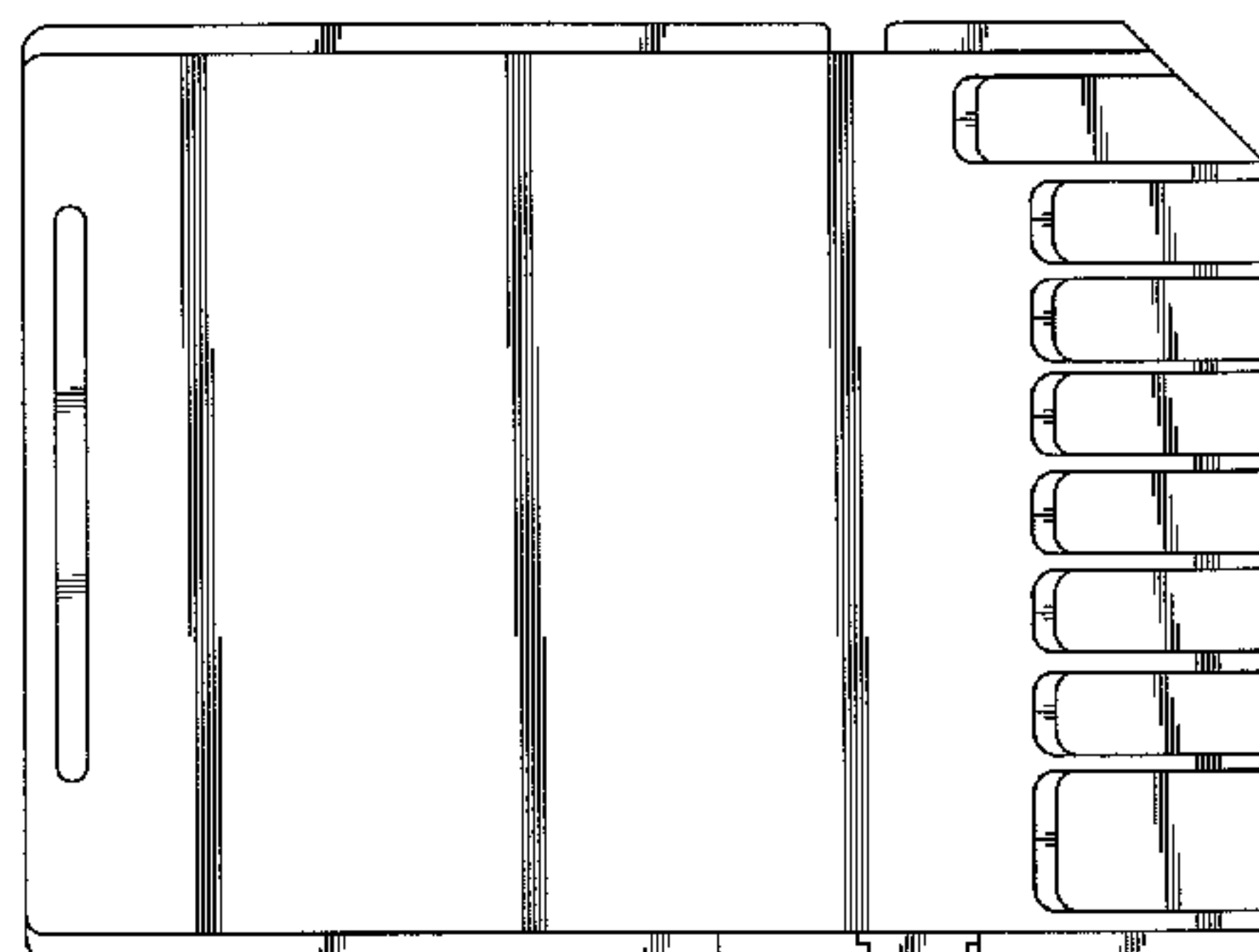
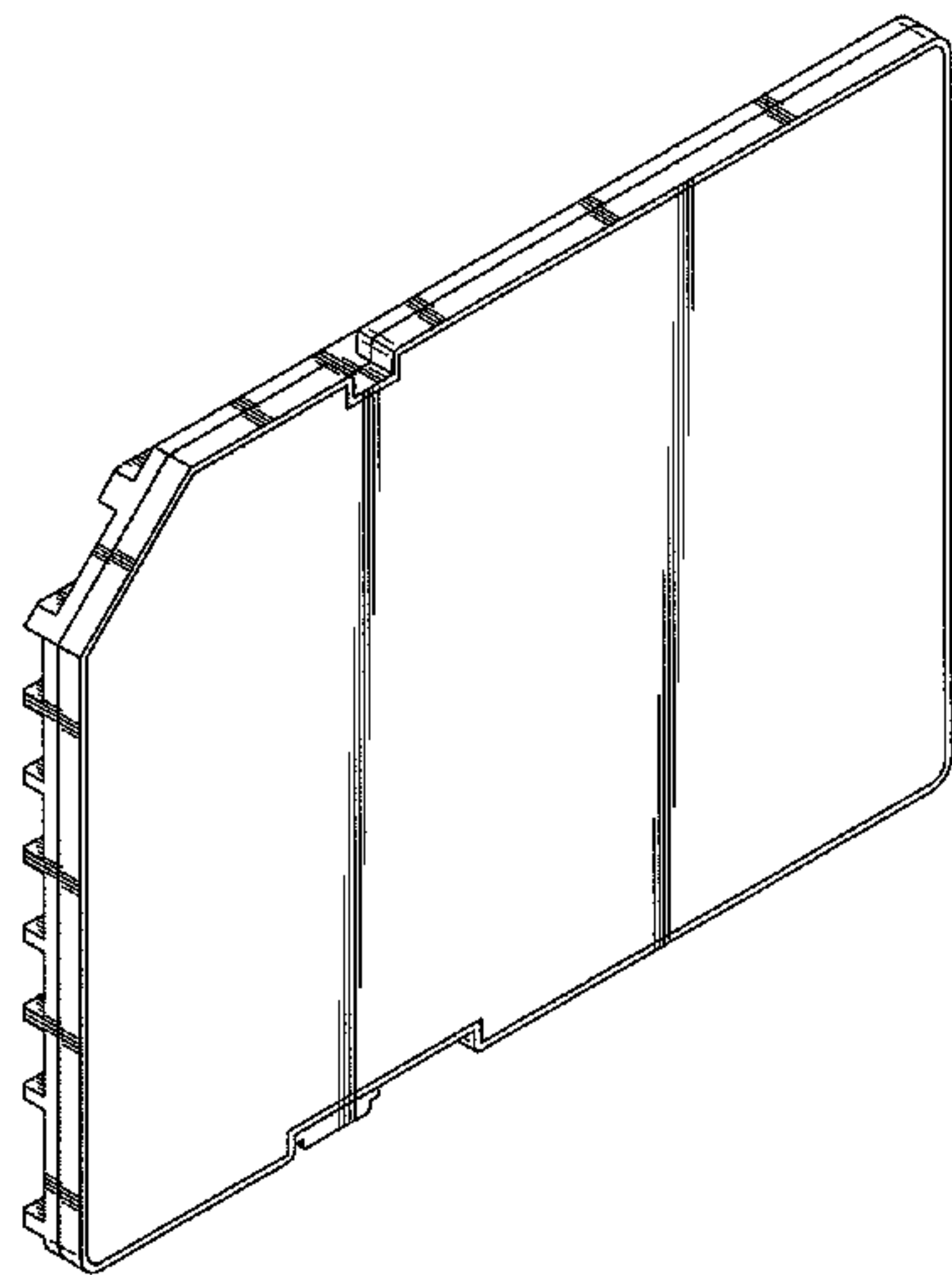
(57) **CLAIM**

The ornamental design for an SD memory card, as shown and described.

DESCRIPTION

FIG. 1 is a top front perspective view of an SD memory card showing our new design;
FIG. 2 is a front elevational view thereof;
FIG. 3 is a rear elevational view thereof;
FIG. 4 is a left side elevational view thereof;
FIG. 5 is a right side elevational view thereof;
FIG. 6 is a top plan view thereof; and,
FIG. 7 is a bottom plan view thereof.

1 Claim, 4 Drawing Sheets



U.S. PATENT DOCUMENTS

D488,477	S *	4/2004	Yu et al.	D14/436
6,719,570	B2 *	4/2004	Tsuchioka	439/76.1
6,729,892	B2 *	5/2004	Takada et al.	439/159
D491,951	S *	6/2004	Yu et al.	D14/436
D494,180	S *	8/2004	Taniguchi	D14/436
6,816,386	B2 *	11/2004	Oguchi et al.	361/769
6,820,148	B1 *	11/2004	Cedar et al.	710/104
6,832,731	B2 *	12/2004	Kaneko	235/492
6,834,810	B2 *	12/2004	Maruyama	235/492
6,851,959	B2 *	2/2005	Ooya et al.	439/159
D504,433	S *	4/2005	Nishizawa et al.	D14/436
6,903,935	B1 *	6/2005	Chen	361/737
6,910,635	B1 *	6/2005	Miks et al.	235/487
6,922,343	B2 *	7/2005	Nakanishi et al.	361/737
6,932,654	B2 *	8/2005	Washino	439/630
D510,935	S *	10/2005	Yamada et al.	D14/436
6,979,227	B2 *	12/2005	Ikeda	439/630
D515,587	S *	2/2006	Cuellar et al.	D14/436
D517,559	S *	3/2006	Yu et al.	D14/436
D518,059	S *	3/2006	Cuellar et al.	D14/436
7,009,846	B1 *	3/2006	Wang et al.	361/737
7,011,251	B1 *	3/2006	Miks et al.	235/487
D518,483	S *	4/2006	Yu et al.	D14/436
7,032,827	B2 *	4/2006	Wang et al.	235/492
7,044,757	B1 *	5/2006	Yen	439/138
7,059,871	B1 *	6/2006	Hsiao	439/76.1
7,061,105	B2 *	6/2006	Masuda et al.	257/723
7,107,378	B1 *	9/2006	Brewer et al.	710/300
7,112,074	B2 *	9/2006	Nakai et al.	439/159
D531,181	S *	10/2006	Cuellar et al.	D14/436
D532,788	S *	11/2006	Cuellar et al.	D14/436
D533,556	S *	12/2006	Yamada et al.	D14/436
7,152,801	B2 *	12/2006	Cuellar et al.	235/492
D535,297	S *	1/2007	Cuellar et al.	D14/436
7,179,129	B1 *	2/2007	Hwang	439/630
D537,824	S *	3/2007	Day et al.	D14/436
7,193,161	B1 *	3/2007	Takiar et al.	174/521
D542,797	S *	5/2007	Cuellar et al.	D14/436
7,218,528	B2 *	5/2007	Chen	361/737
7,233,058	B2 *	6/2007	Wada et al.	257/679
7,238,052	B2 *	7/2007	Wang et al.	439/630
D552,098	S *	10/2007	Nishizawa et al.	D14/436
D552,099	S *	10/2007	Nishizawa et al.	D14/436
D554,123	S *	10/2007	Day et al.	D14/436
7,291,903	B2 *	11/2007	Nishizawa et al.	257/679
7,293,708	B2 *	11/2007	Matsumoto et al.	235/435
D556,764	S *	12/2007	Nishizawa et al.	D14/436
7,324,347	B2 *	1/2008	Nakanishi et al.	361/737
7,325,746	B2 *	2/2008	Nishizawa et al.	235/492
7,335,034	B1 *	2/2008	Liu	439/76.1
7,336,498	B2 *	2/2008	Takiar et al.	361/737
7,348,668	B2 *	3/2008	Masuda et al.	257/723
7,355,860	B2 *	4/2008	Miller et al.	361/737
7,359,204	B1 *	4/2008	Jang et al.	361/715
7,364,090	B2 *	4/2008	Cuellar et al.	235/492
7,374,104	B2 *	5/2008	Aoki et al.	235/492
7,375,975	B1 *	5/2008	Jang et al.	361/752
7,410,376	B2 *	8/2008	Ying et al.	439/159
7,427,032	B2 *	9/2008	Osako et al.	235/492
7,433,196	B1 *	10/2008	Wang et al.	361/752
D581,932	S *	12/2008	Nishizawa et al.	D14/436
D588,598	S *	3/2009	Nakamura	D14/436
D588,599	S *	3/2009	Nakamura	D14/436
D591,752	S *	5/2009	Aoki	D14/436
D591,754	S *	5/2009	Hwangbo et al.	D14/436
D639,302	S *	6/2011	Nakamura	D14/436
D639,812	S *	6/2011	Nakamura	D14/436
D643,431	S *	8/2011	Nakamura	D14/436
D643,432	S *	8/2011	Nakamura	D14/436
2001/0009505	A1 *	7/2001	Nishizawa et al.	361/737
2002/0137380	A1 *	9/2002	Shishikura et al.	439/188
2004/0037145	A1 *	2/2004	Tagawa et al.	365/222
2004/0062109	A1 *	4/2004	Wallace	365/202
2004/0070952	A1 *	4/2004	Higuchi et al.	361/737
2005/0037671	A1 *	2/2005	Yamada et al.	439/677
2005/0148217	A1 *	7/2005	Takiar et al.	439/76.1
2005/0253239	A1 *	11/2005	Nishizawa et al.	257/679
2005/0279838	A1 *	12/2005	Wang et al.	235/492
2006/0003609	A1 *	1/2006	Hwang	439/76.1
2006/0014434	A1 *	1/2006	Yamamoto et al.	439/630
2006/0084287	A1 *	4/2006	Miller et al.	439/64
2006/0194479	A1 *	8/2006	Osako et al.	439/638
2006/0282553	A1 *	12/2006	Miller et al.	710/11
2007/0099511	A1 *	5/2007	Miller et al.	439/630

OTHER PUBLICATIONS

U.S. Appl. No. 29/419,526, Applicant: Ho-Young Seoc, et al., filed Apr. 30, 2012 entitled SD Memory Card.

* cited by examiner

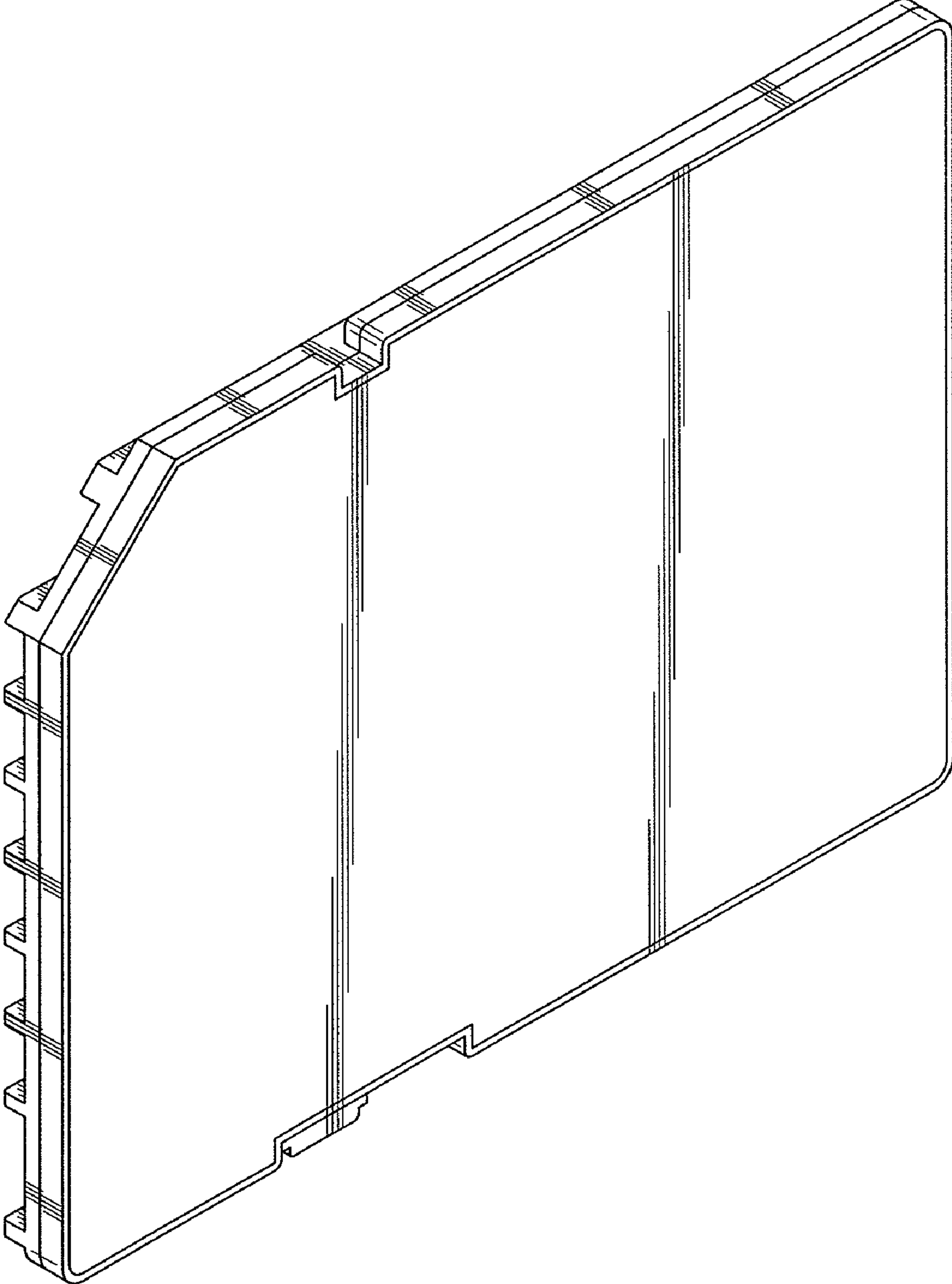


FIG.1

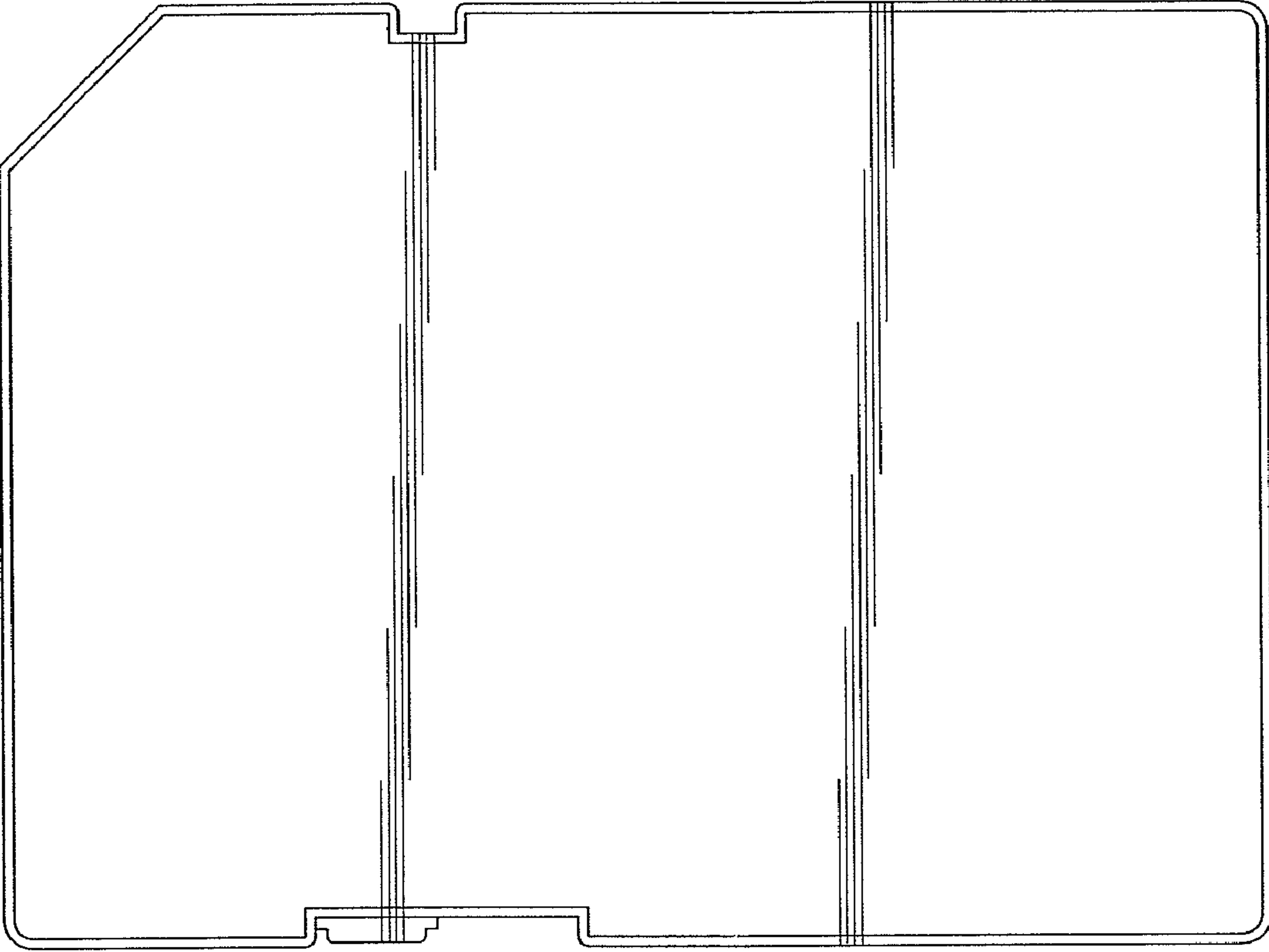


FIG.2

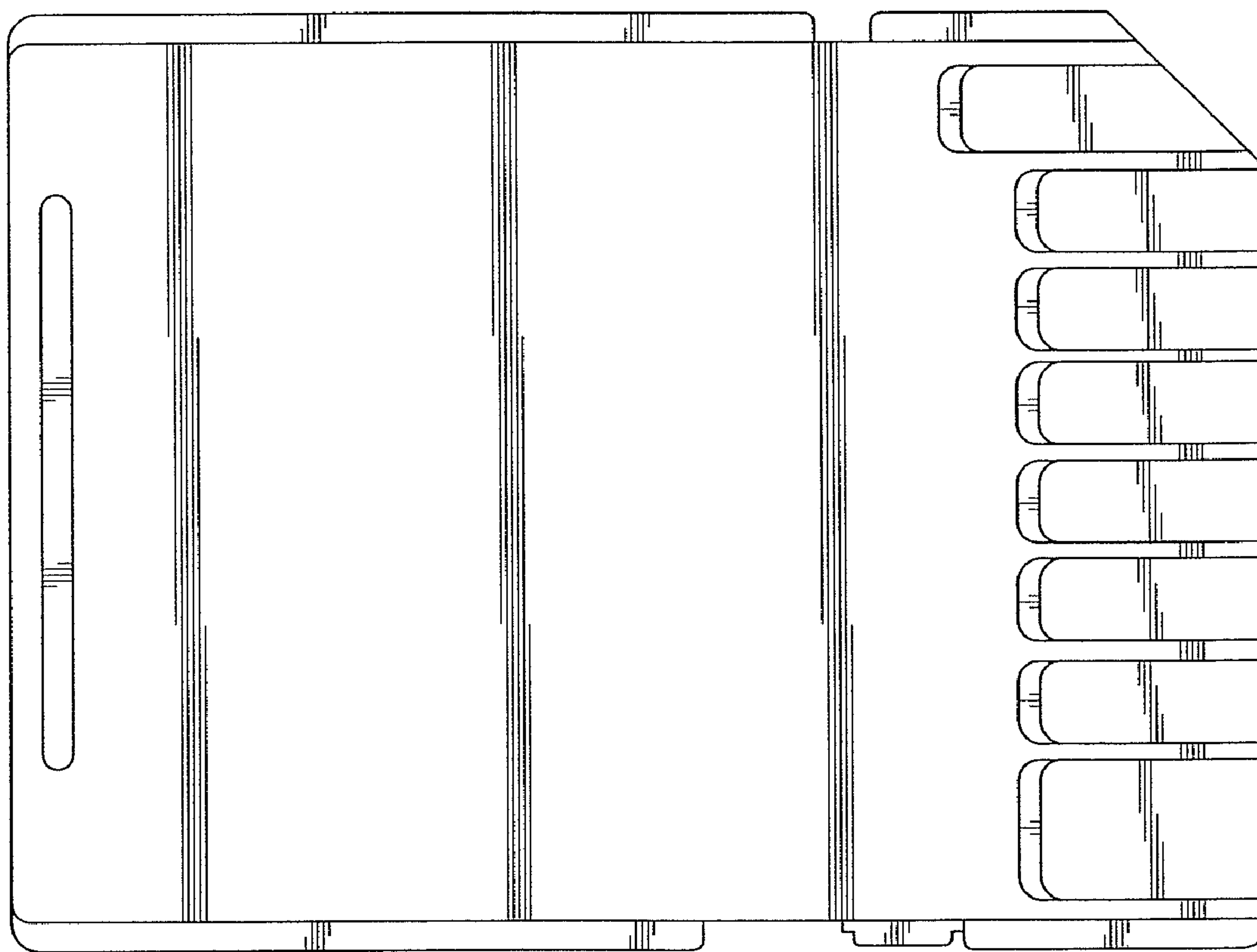


FIG.3

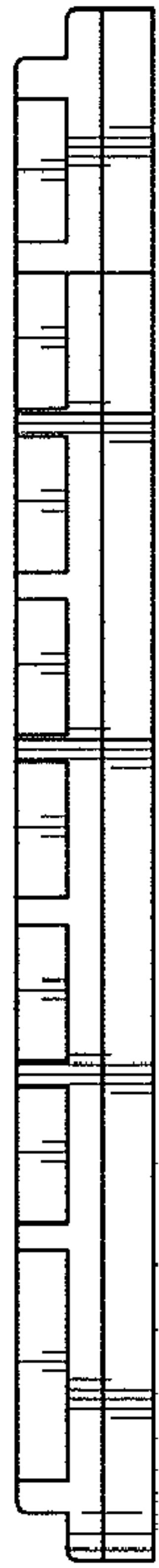


FIG. 4



FIG. 5



FIG. 6

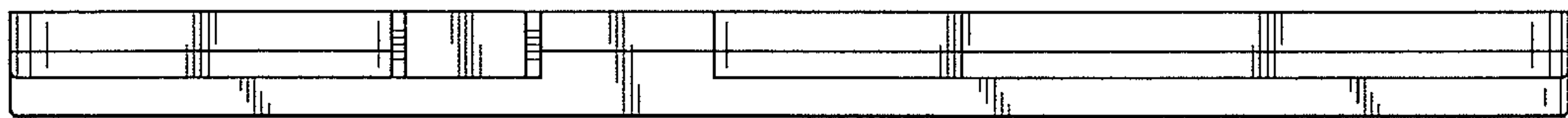


FIG. 7