

US00D667829S

(12) **United States Design Patent**
Berntsen

(10) **Patent No.:** **US D667,829 S**
(45) **Date of Patent:** **** Sep. 25, 2012**

(54) **CARD HOLDER**

(76) Inventor: **Knut Berntsen**, Lørenskog (NO)

(**) Term: **14 Years**

(21) Appl. No.: **29/385,761**

(22) Filed: **Feb. 18, 2011**

(51) **LOC (9) Cl.** **14-02**

(52) **U.S. Cl.** **D14/435**

(58) **Field of Classification Search** D14/435,
D14/436, 437, 438, 432, 356; D3/294, 273,
D3/201, 203.5, 203.6, 284, 295, 903, 203.1,
D3/203.2, 247, 249, 250, 227; D9/414, 422,
D9/424, 430, 432, 415; D28/83, 77, 78;
D6/632, 407, 634, 635, 627-629, 314; 206/38,
206/38.1, 39, 232, 804, 815, 308.1, 308.3,
206/472, 473, 483, 474, 477, 480, 569, 570,
206/482, 485, 486, 320, 305, 307, 307.1,
206/450, 701, 722, 387.1, 387.13, 491, 455,
206/316.1, 316.2, 706, 725, 312, 223, 235,
206/236, 811, 710, 454, 581, 531, 493, 445,
206/311, 823, 574, 37, 39.4, 39.5, 39.6, 39.1,
206/39.3, 776, 709, 449, 555, 807, 459.5,
206/556; 361/756, 686, 801, 802, 737, 752,
361/727; 150/147, 149, 150, 900, 131; 235/486,
235/487, 451, 492, 493, 380, 386, 382, 488;
242/378.2, 375, 385.1, 371, 400; 439/630,
439/945, 61, 135, 946; 53/471; 40/642.02,
40/655, 661.07, 765, 1.5, 427, 777, 649,
40/1.6, 666, 661.04, 27.5, 661, 653, 308;
224/277, 929, 162, 269, 191, 254, 255, 274,
224/245, 196; 220/4.22, 526, 281, 315, 326,
220/826, 263, 835, 324, 838, 4.23, 839; 16/361;
215/201; 211/40; 70/276, 58, 63; 190/109,
190/117, 901; 312/244; 402/3, 76; D7/629;
D8/339, 330, 331, 343; 292/116, 137, 148,
292/156, 302, DIG. 11; 132/293-295, 298,

132/301, 300; D21/333, 54, 55, 57; D99/34;
24/3.11, 3.12; 403/348; D20/43; D19/78,
90, 1; 382/124; 356/71; 383/43, 106; 283/904;
281/42; D11/78.1; 174/353, 372, 386, 535;
109/23, 24; 340/568.7

See application file for complete search history.

(56) **References Cited**

U.S. PATENT DOCUMENTS

501,279 A * 7/1893 Knight 206/39
(Continued)

Primary Examiner — Susan Moon Lee

(74) *Attorney, Agent, or Firm* — Kolisch Hartwell, P.C.

(57) **CLAIM**

I claim the ornamental design for a card holder, as shown and described.

DESCRIPTION

FIG. 1 is a right, front perspective view of a card holder according to an embodiment of the invention, where a left, front perspective view of the card holder shown in FIG. 1 is a mirror image of FIG. 1.

FIG. 2 is a left, rear perspective view of the card holder of FIG. 1, where a right, rear perspective view of the card holder shown in FIG. 1 is a mirror image of FIG. 2.

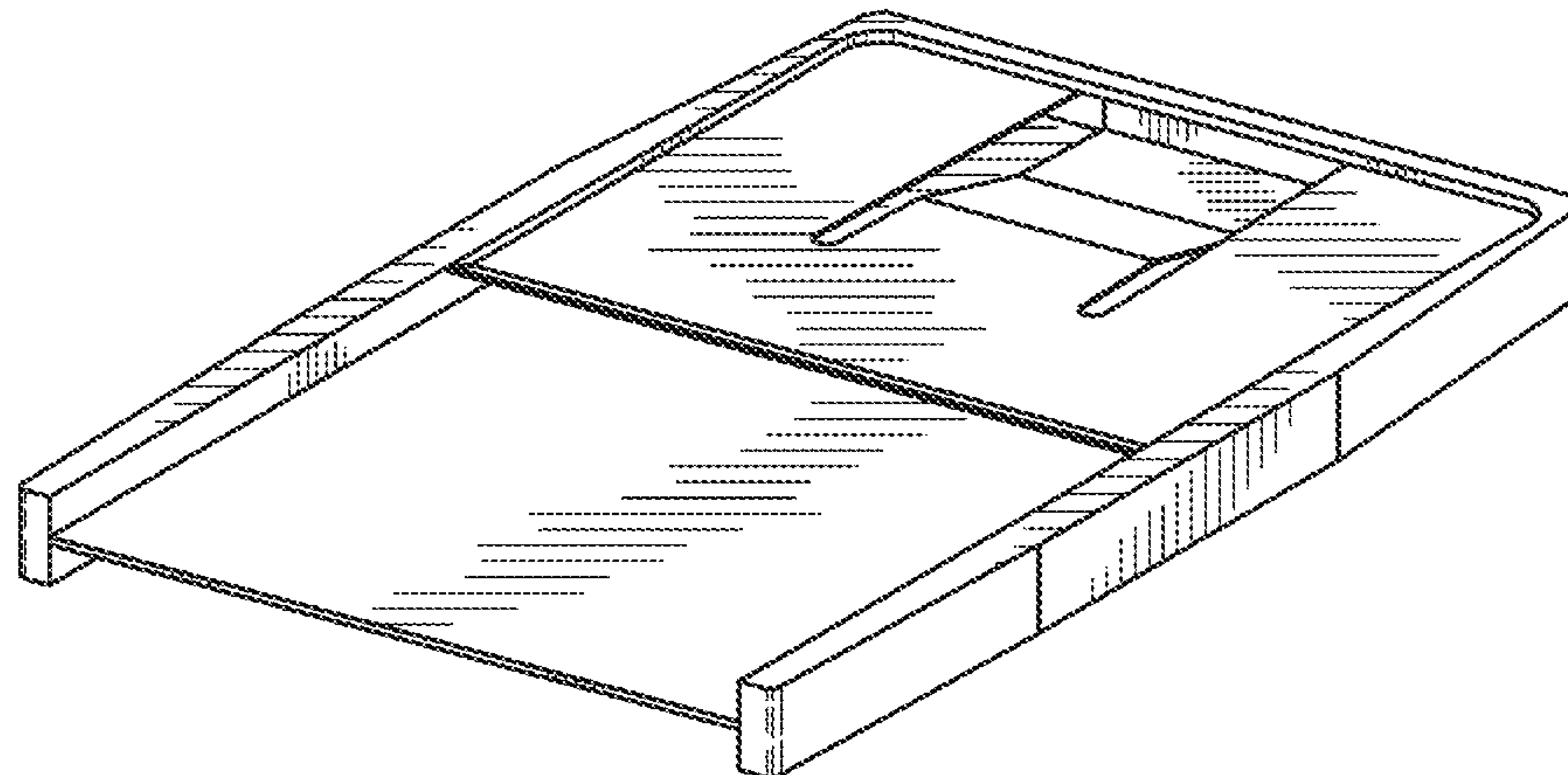
FIG. 3 is a top plan view of the card holder of FIG. 1, where a bottom plan view of the card holder shown in FIG. 1 is the same as FIG. 3.

FIG. 4 is a right elevation view of the card holder of FIG. 1, where a left elevation view of the card holder of FIG. 1 is a mirror image of FIG. 4.

FIG. 5 is a front elevation view of the card holder of FIG. 1; and,

FIG. 6 is a rear elevation view of the card holder of FIG. 1.

1 Claim, 2 Drawing Sheets



US D667,829 S

Page 2

U.S. PATENT DOCUMENTS

1,310,407	A *	7/1919	Auld	206/357	D530,926	S *	10/2006	Sellers	D6/300
1,466,729	A *	9/1923	Riley	206/39.6	7,228,651	B1 *	6/2007	Saari	40/1.5
2,185,624	A *	1/1940	Beck	206/39	7,293,647	B2 *	11/2007	Wong et al.	206/307.1
4,141,400	A *	2/1979	Mangan	206/39.6	7,308,771	B2 *	12/2007	Memelink	40/649
D256,852	S *	9/1980	McGahee	D3/247	D561,469	S *	2/2008	Jensen et al.	D3/247
4,356,646	A *	11/1982	Johnson, Jr.	40/651	7,385,508	B1 *	6/2008	Ray et al.	340/568.7
4,450,955	A *	5/1984	Featherston	206/39.6	7,395,623	B2 *	7/2008	Park et al.	40/312
4,518,080	A *	5/1985	Ohlson	206/39	D575,506	S *	8/2008	Huang	D3/247
D299,288	S *	1/1989	Stafford	D3/247	D579,940	S *	11/2008	Pepin et al.	D14/435
5,020,255	A *	6/1991	Rodel	40/654	7,578,446	B2 *	8/2009	Yen	235/486
5,026,039	A *	6/1991	Kuzuya et al.	271/11	D604,302	S *	11/2009	Staal	D14/435
5,107,073	A *	4/1992	Steffen	174/563	7,617,928	B1 *	11/2009	Murphy	206/39.5
5,125,505	A *	6/1992	Kurosaki	206/39.4	7,654,837	B2 *	2/2010	Gao et al.	439/160
D345,860	S *	4/1994	Lacy	D3/247	7,789,232	B2 *	9/2010	Suito et al.	206/449
5,417,328	A *	5/1995	Ritter	206/449	D627,786	S *	11/2010	Hsia	D14/435
D364,861	S *	12/1995	Luong	D14/436	D628,798	S *	12/2010	Kalbach	D3/247
5,531,324	A *	7/1996	Kosaki et al.	206/449	D630,848	S *	1/2011	Long et al.	D3/247
5,617,949	A *	4/1997	de Koning et al.	206/307.1	D632,297	S *	2/2011	Berntsen	D14/435
5,740,624	A *	4/1998	Baseley	40/649	D632,695	S *	2/2011	Berntsen	D14/435
5,901,764	A *	5/1999	Ritter	150/147	8,161,910	B2 *	4/2012	Coiro et al.	119/417
5,938,010	A *	8/1999	Osterbye	206/38	2002/0056652	A1 *	5/2002	Kawamura et al.	206/37
D417,212	S *	11/1999	Oba	D14/435	2002/0117243	A1 *	8/2002	Koren	150/147
6,050,014	A *	4/2000	Ohlson	40/649	2003/0006160	A1 *	1/2003	Gianbattista	206/449
D431,105	S *	9/2000	Ling	D3/228	2003/0168458	A1 *	9/2003	Lafferty et al.	220/523
D470,657	S *	2/2003	Kawamura	D3/247	2004/0177542	A1 *	9/2004	Memelink	40/661.08
6,587,348	B2 *	7/2003	Kondo	361/741	2005/0199710	A1 *	9/2005	Richter	235/380
6,592,003	B2 *	7/2003	Silverthorne	221/60	2005/0224149	A1 *	10/2005	Tiscione	150/148
6,601,329	B2 *	8/2003	Vaudreuil	40/655	2008/0011628	A1 *	1/2008	Lin	206/307
6,782,998	B2 *	8/2004	Koren	206/39	2008/0166898	A1 *	7/2008	Hubert et al.	439/64
6,848,577	B2 *	2/2005	Kawamura et al.	206/449	2008/0272191	A1 *	11/2008	Yen	235/380
6,863,537	B2 *	3/2005	Pellizari	439/31	2009/0000969	A1 *	1/2009	Walker et al.	206/307
6,898,884	B1 *	5/2005	Meyenberg	40/649	2009/0101255	A1 *	4/2009	Long	150/147
D508,605	S *	8/2005	Hwang et al.	D3/218	2009/0134223	A1 *	5/2009	Matthews et al.	235/441
D510,186	S *	10/2005	Bell	D3/247	2009/0301909	A1 *	12/2009	Tang et al.	206/307.1
D517,558	S *	3/2006	Peh	D14/436	2011/0168585	A1 *	7/2011	Burgerhoff	206/307

* cited by examiner

Fig. 1

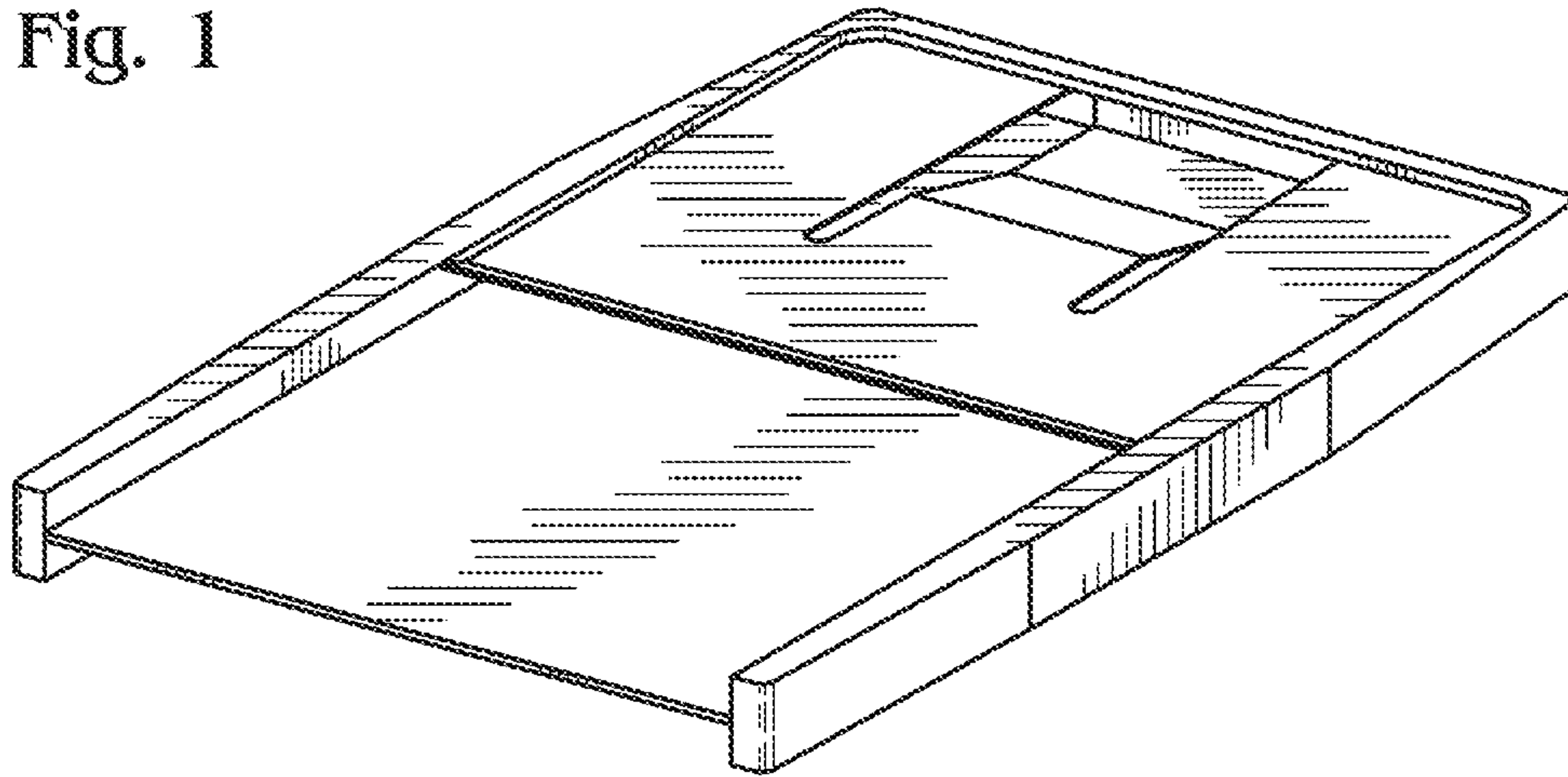


Fig. 2

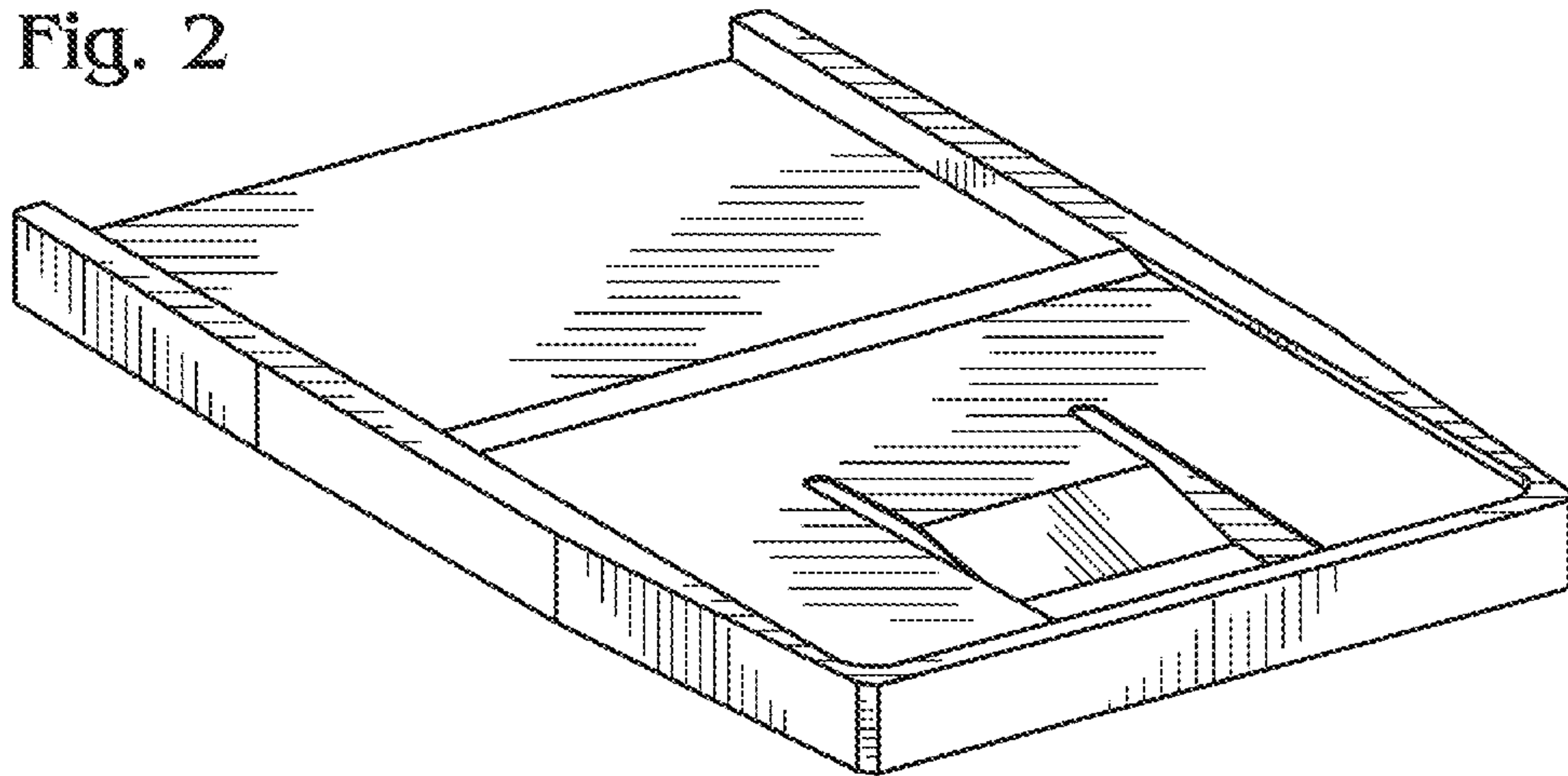


Fig. 3

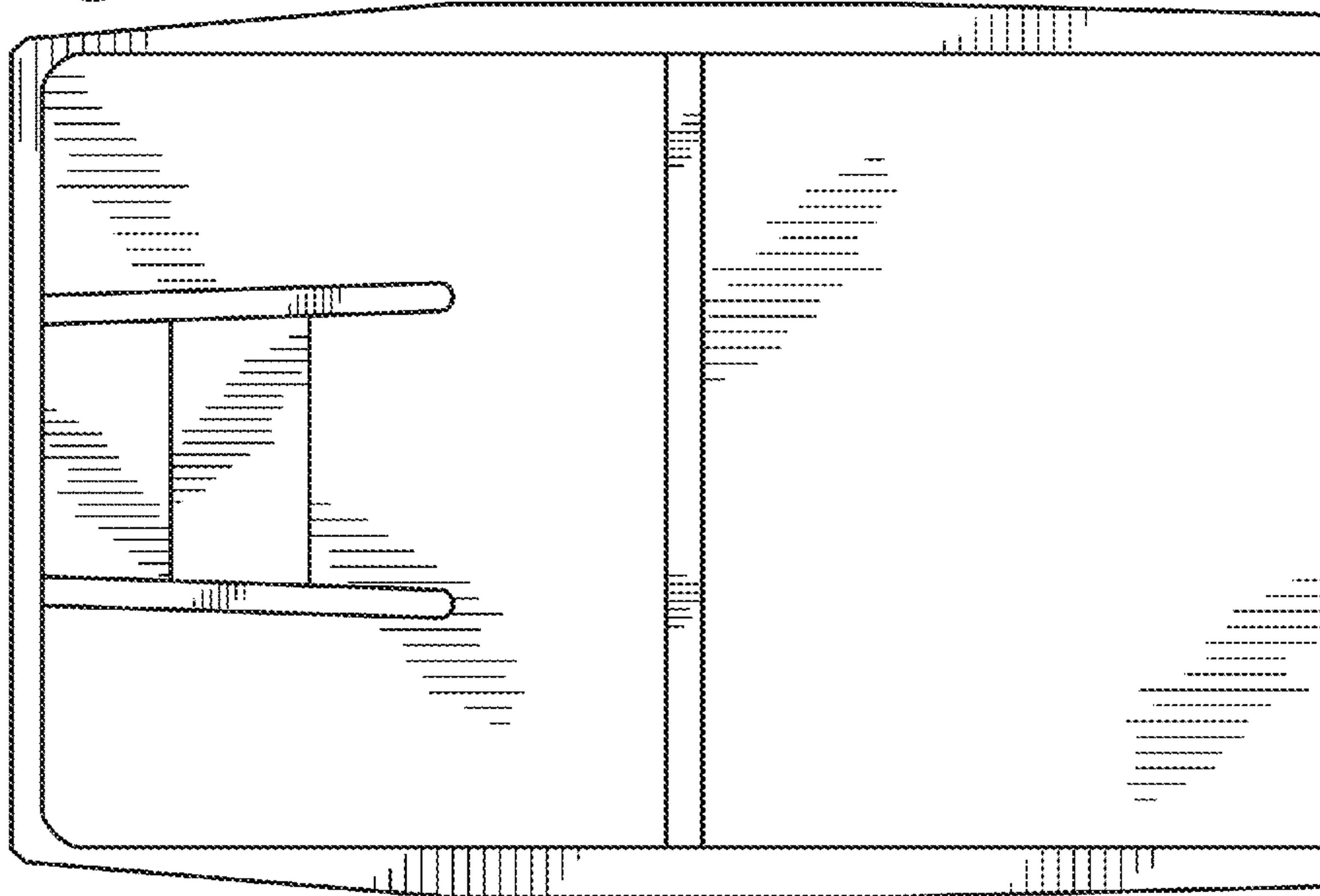


Fig. 4

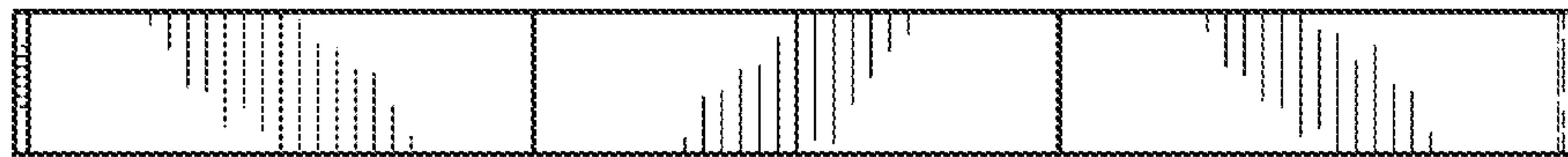


Fig. 5

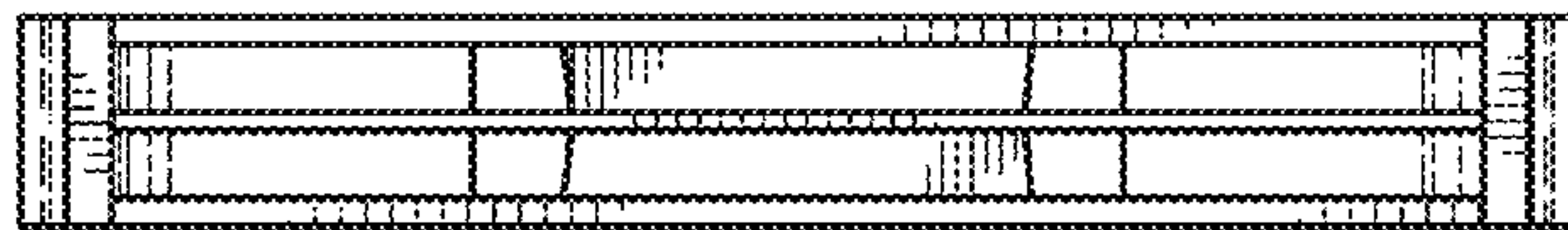


Fig. 6

