

US00D667827S

(12) **United States Design Patent**
Park et al.

(10) **Patent No.:** **US D667,827 S**

(45) **Date of Patent:** **** Sep. 25, 2012**

(54) **LED MONITOR**

(75) Inventors: **Soo Young Park**, Seoul (KR); **Kwang Ho Choi**, Seoul (KR)

(73) Assignee: **LG Electronics Inc.**, Seoul (KR)

(**) Term: **14 Years**

(21) Appl. No.: **29/403,286**

(22) Filed: **Oct. 4, 2011**

(30) **Foreign Application Priority Data**

Apr. 15, 2011 (KR) 30-2011-0015562

(51) **LOC (9) Cl.** **14-02**

(52) **U.S. Cl.** **D14/374**

(58) **Field of Classification Search** D14/371-375,
D14/125-129, 336, 337; 341/12; 345/104,
345/156, 168, 173; 348/180, 184, 325, 739;
349/1, 2, 11, 62; 361/679.05-679.07, 679.21,
361/679.22; D6/300, 308

See application file for complete search history.

(56) **References Cited**

U.S. PATENT DOCUMENTS

D489,721 S * 5/2004 Peng et al. D14/371
D496,046 S * 9/2004 Lo D14/375

6,807,051 B2 * 10/2004 Takahashi 361/679.23
D520,004 S * 5/2006 Baek et al. D14/375
D544,849 S * 6/2007 Yang et al. D14/126
D598,911 S * 8/2009 Wang et al. D14/336
D605,148 S * 12/2009 Boo et al. D14/126

* cited by examiner

Primary Examiner — Freda S Nunn

(74) *Attorney, Agent, or Firm* — Morgan, Lewis & Bockius LLP

(57) **CLAIM**

We claim the ornamental design for an LED monitor, as shown and described.

DESCRIPTION

FIG. 1 is a perspective view of an LED monitor showing our new design;
FIG. 2 is a front elevation view thereof;
FIG. 3 is a rear elevation view thereof;
FIG. 4 is a left-side elevation view thereof;
FIG. 5 is a right-side elevation view thereof;
FIG. 6 is a top plan view thereof;
FIG. 7 is a bottom plan view thereof; and,
FIG. 8 is a rear elevation view in a state of use.

1 Claim, 6 Drawing Sheets

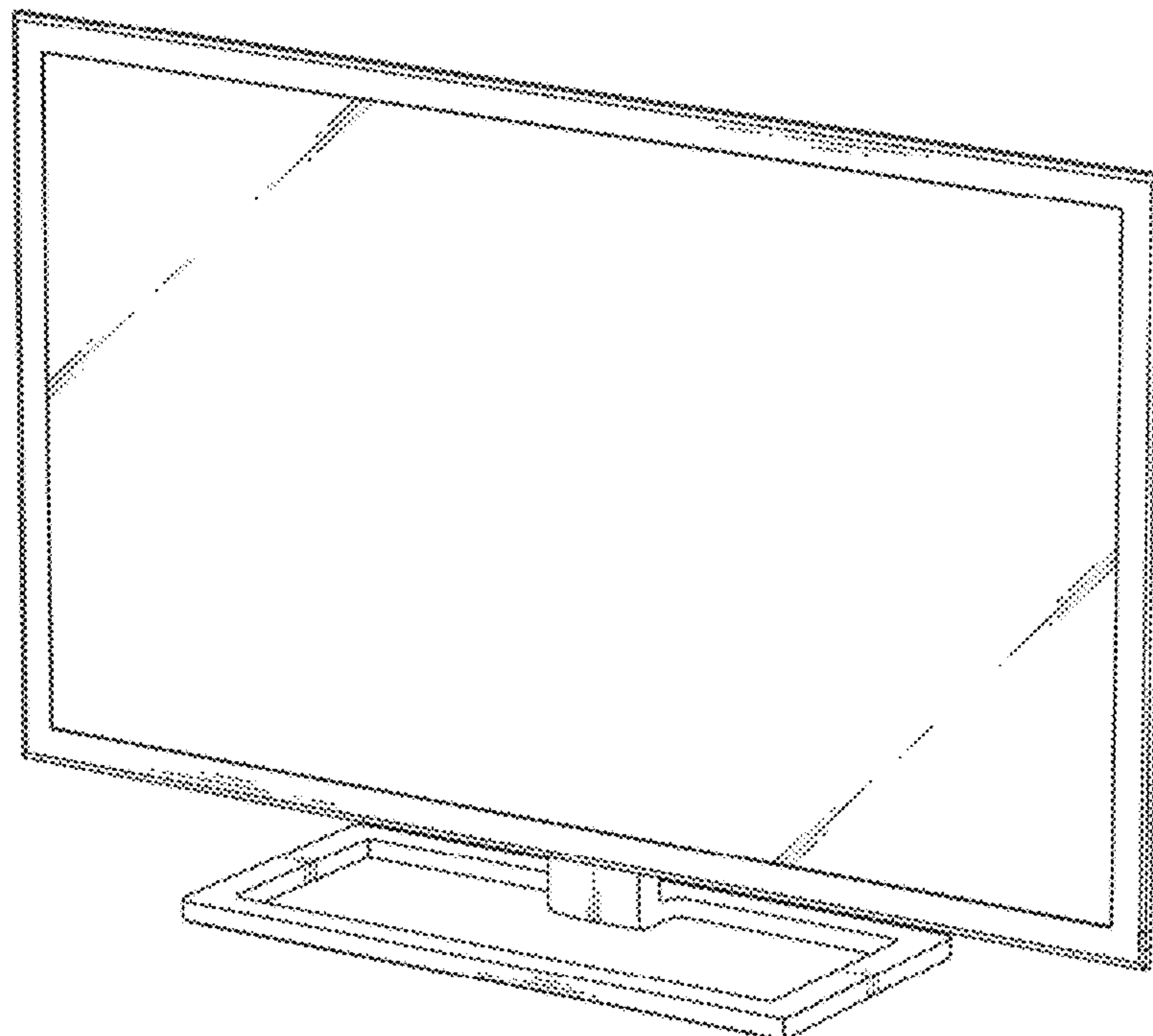


FIG. 1

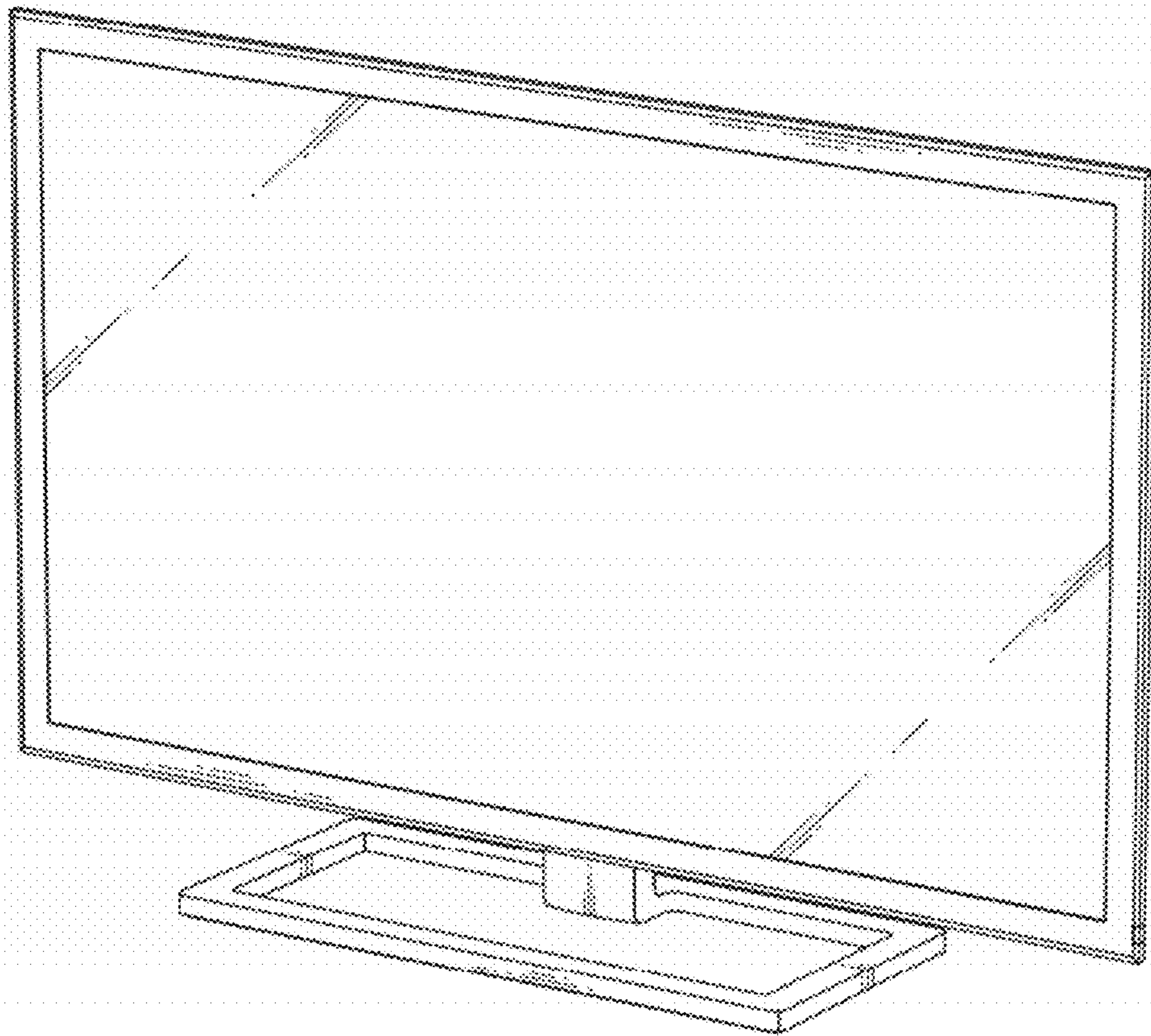


FIG. 2

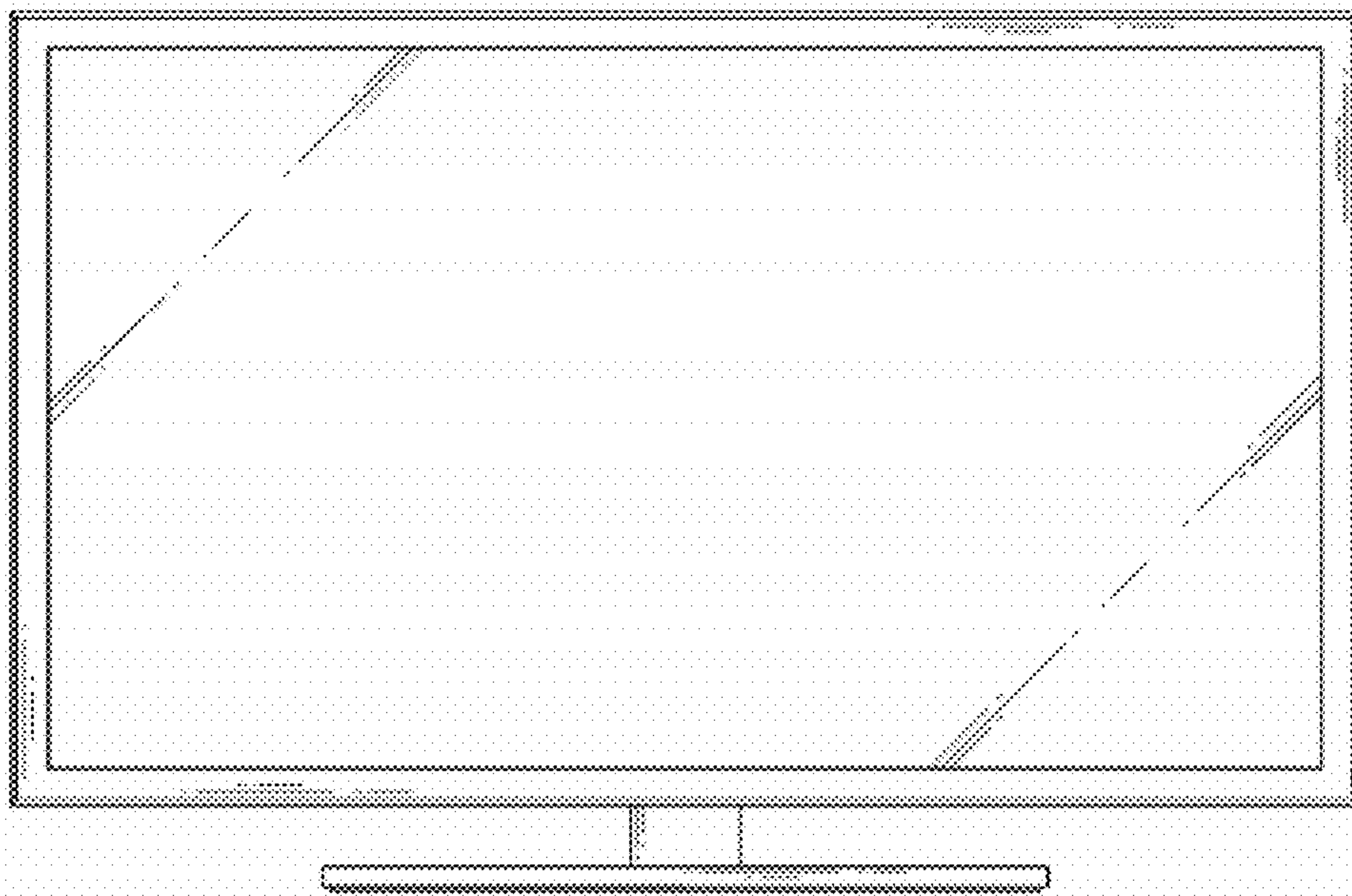


FIG. 3

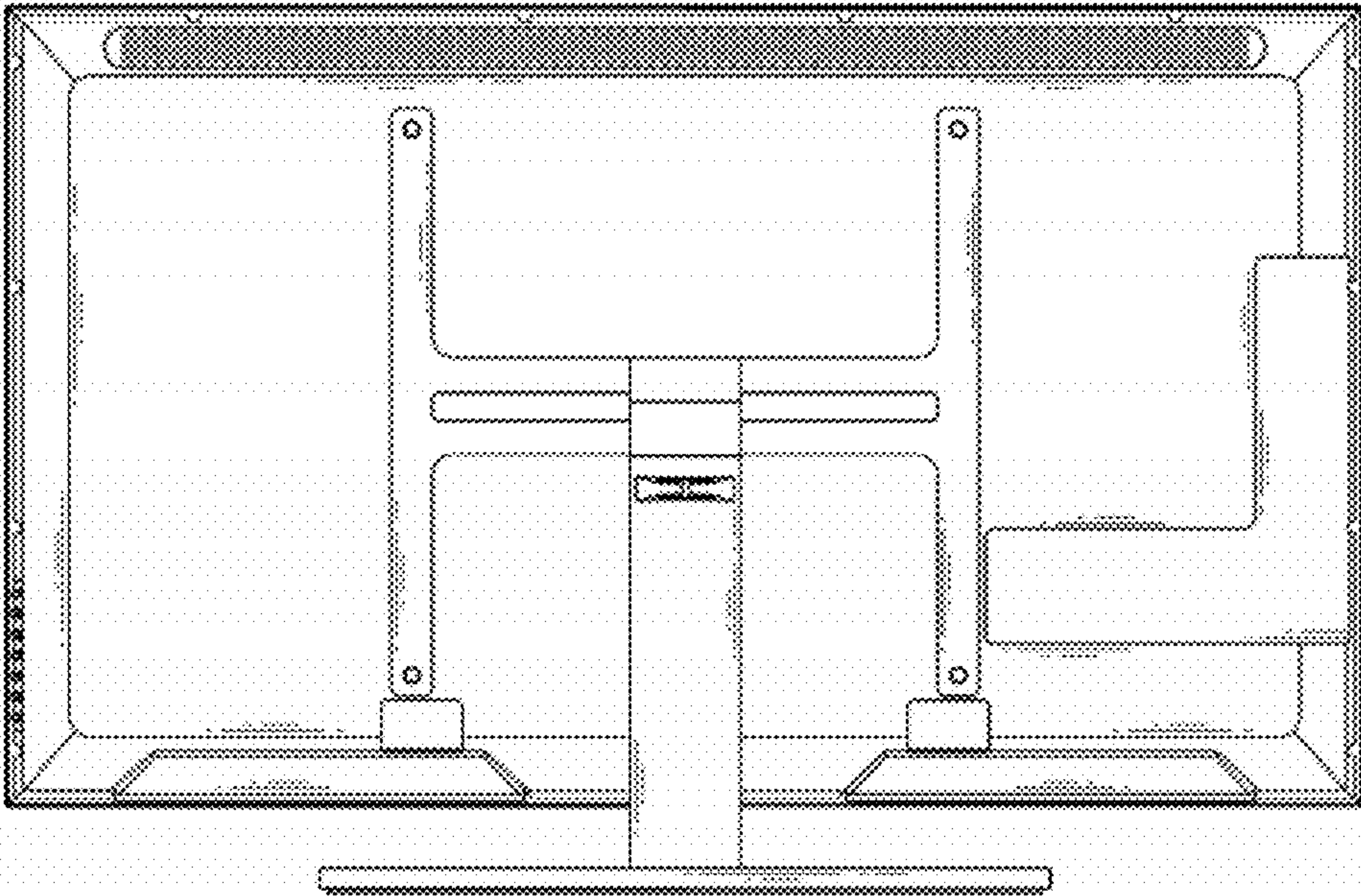


FIG. 4

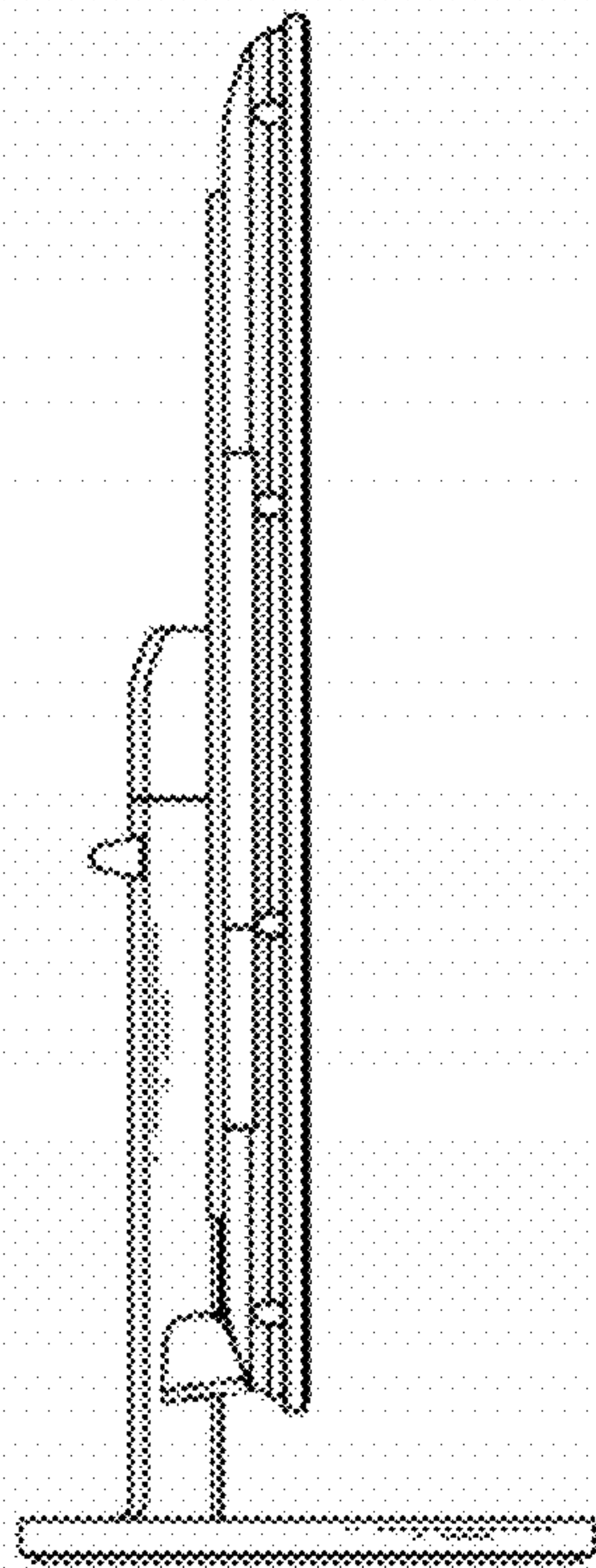


FIG. 5

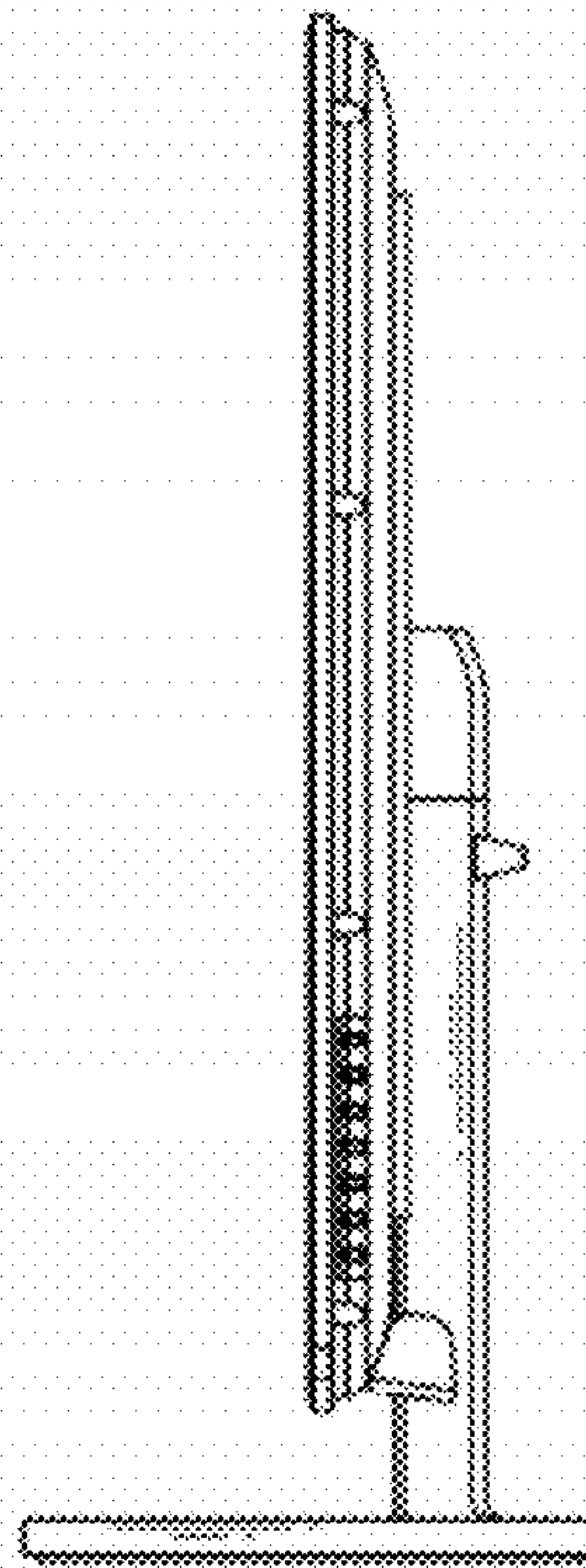


FIG. 6

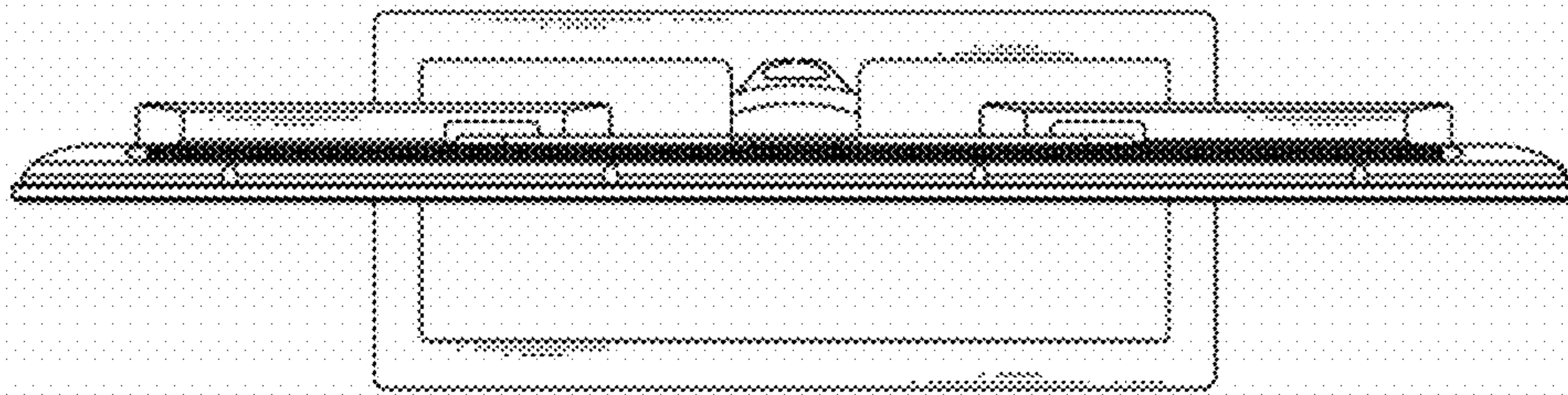


FIG. 7

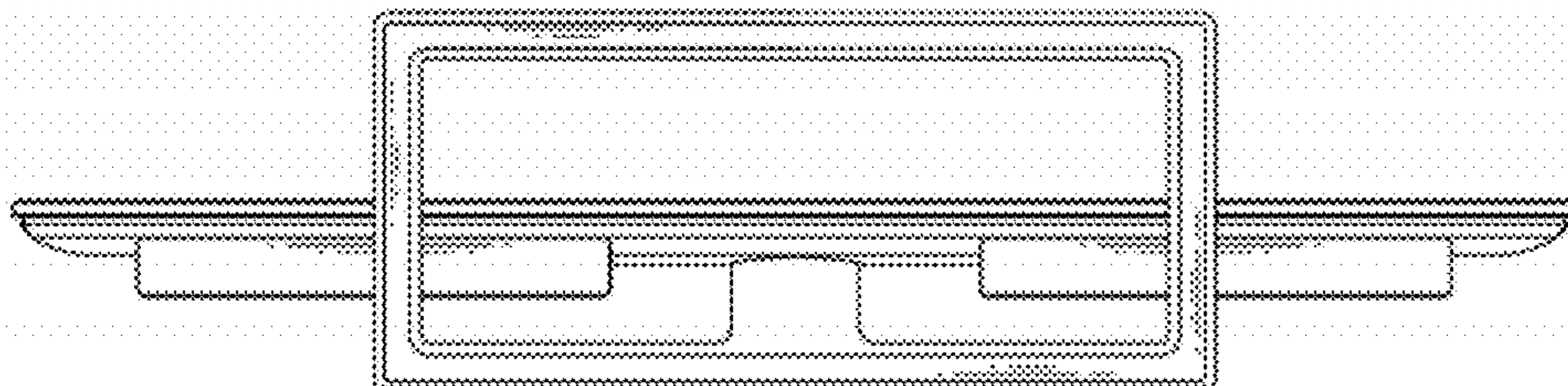


FIG. 8

