



US00D667826S

(12) **United States Design Patent**
Lee et al.

(10) **Patent No.:** **US D667,826 S**
(45) **Date of Patent:** **** Sep. 25, 2012**

- (54) **MONITOR FOR COMPUTER**
- (75) Inventors: **Yong-Joo Lee**, Seoul (KR); **Eui-Seok Kim**, Seongnam (KR); **Jun-Ho Yang**, Seongnam (KR); **Seung-Cheol Lee**, Seoul (KR)
- (73) Assignee: **Samsung Electronics Co., Ltd.**, Suwon (KR)
- (**) Term: **14 Years**
- (21) Appl. No.: **29/393,886**
- (22) Filed: **Jun. 10, 2011**

KR	3004261490000	9/2006
KR	3004261500000	9/2006
KR	3004293530000	11/2006
KR	3004293530001	11/2006
KR	3004339210000	12/2006
KR	3004388560001	2/2007
KR	3004388560002	3/2007
KR	3004745330000	1/2008
KR	3004772070000	1/2008
KR	3004808250000	3/2008
KR	3004809710000	3/2008
KR	3004745330001	4/2008
KR	3004873790000	4/2008
KR	3004873800000	4/2008
KR	3004873810000	4/2008

(Continued)

(30) **Foreign Application Priority Data**

Feb. 16, 2011 (KR) 30-2011-0005959

- (51) **LOC (9) Cl.** **14-02**
- (52) **U.S. Cl.** **D14/374**
- (58) **Field of Classification Search** D14/371–375, D14/125–129, 336, 337; 341/12; 345/104, 345/156, 168, 173; 348/180, 184, 325, 739; 349/1, 2, 11, 62; 361/679.05–679.07, 679.21–679.23; D6/300, D6/308

See application file for complete search history.

(56) **References Cited**

U.S. PATENT DOCUMENTS

D494,941	S *	8/2004	Kim	D14/126
D572,680	S *	7/2008	Lee et al.	D14/126
D573,562	S *	7/2008	Lee et al.	D14/126
D578,972	S *	10/2008	Oh et al.	D14/126
D579,889	S *	11/2008	Noh	D14/129
D600,246	S *	9/2009	Yuuki et al.	D14/451
D605,150	S *	12/2009	Kim	D14/126
D619,979	S *	7/2010	Lee et al.	D14/126
D632,291	S *	2/2011	Park	D14/374

FOREIGN PATENT DOCUMENTS

KR	3003832320000	6/2005
KR	3003879930000	8/2005
KR	3004144010000	5/2006

OTHER PUBLICATIONS

U.S. Appl. No. 29/393,955, Applicant: Lee, et al., filed Jun. 10, 2011 entitled Monitor for Computer.

(Continued)

Primary Examiner — Freda S Nunn

(74) *Attorney, Agent, or Firm* — Wood, Herron & Evans, LLP

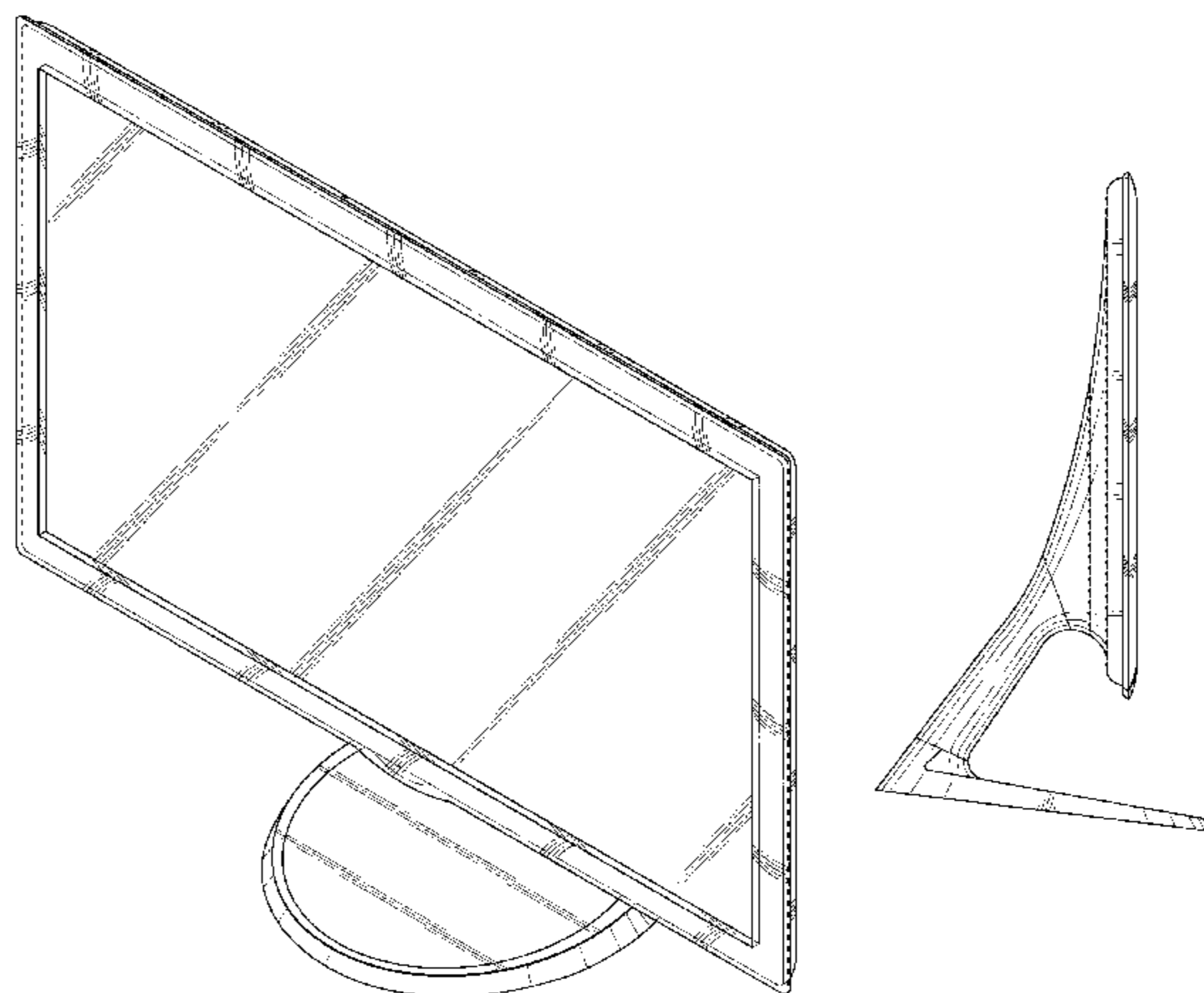
(57) **CLAIM**

The ornamental design for monitor for computer, as shown and described.

DESCRIPTION

FIG. 1 is a top front perspective view of a monitor for computer showing our new design; FIG. 2 is a front elevational view thereof; FIG. 3 is a rear elevational view thereof; FIG. 4 is a left side elevational view thereof; FIG. 5 is a right side elevational view thereof; FIG. 6 is a top plan view thereof; and, FIG. 7 is a bottom plan view thereof.

1 Claim, 5 Drawing Sheets



FOREIGN PATENT DOCUMENTS

KR 3005011860000 8/2008

OTHER PUBLICATIONS

U.S. Appl. No. 29/393,978, Applicant: Kim, et al., filed Jun. 10, 2011
entitled Monitor for Computer.

U.S. Appl. No. 29/393,894, Applicant: Lee, et al., filed Jun. 10, 2011
entitled Monitor for Computer.

U.S. Appl. No. 29/393,889, Applicant: Kim, et al., filed Jun. 10, 2011
entitled Monitor for Computer.

U.S. Appl. No. 29/397,048, Applicant: Lee, et al., filed Jul. 11, 2011
entitled Monitor for Computer.

U.S. Appl. No. 29/397,053, Applicant: Lee, et al., filed Jul. 11, 2011
entitled Monitor for Computer.

* cited by examiner

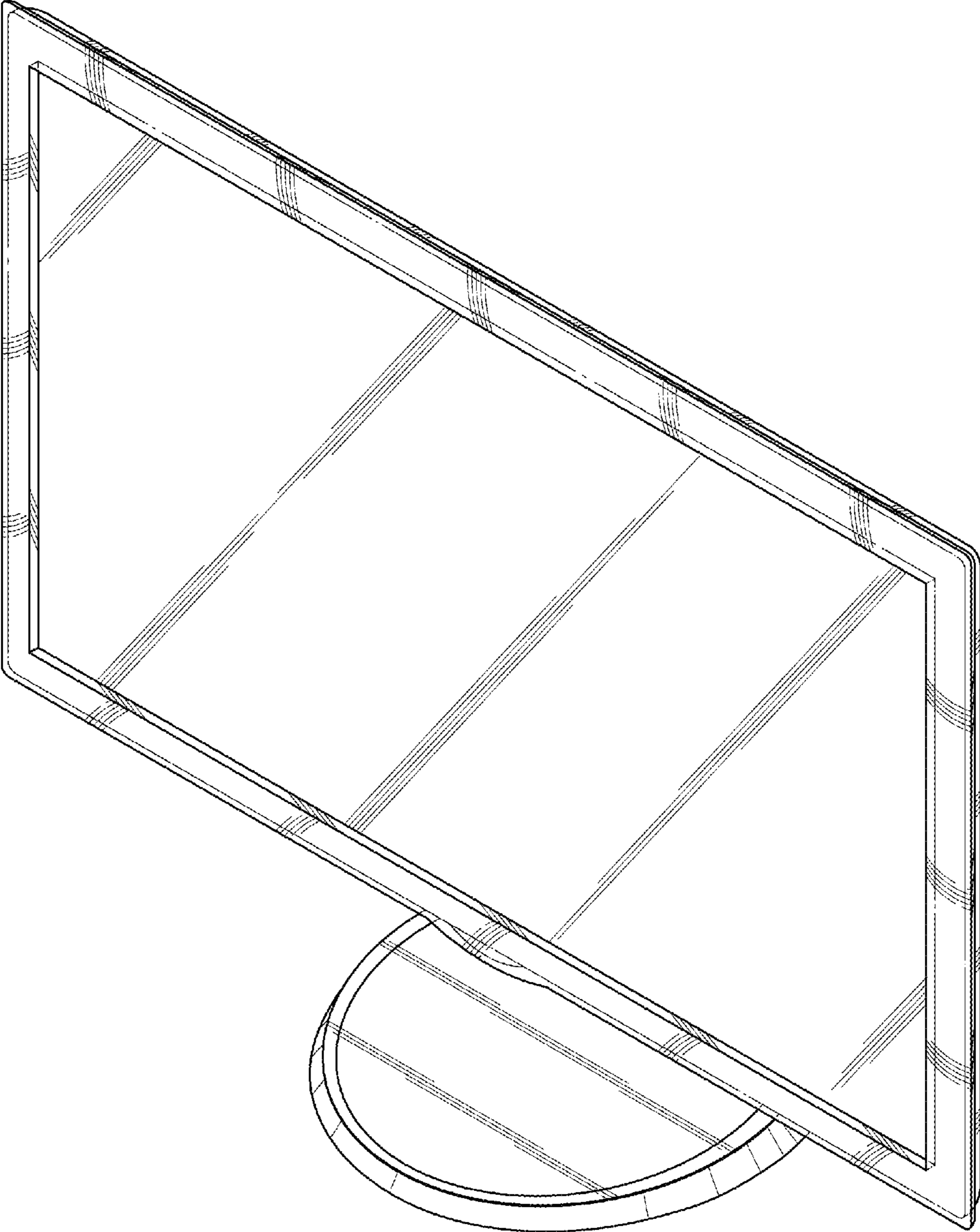


FIG.1

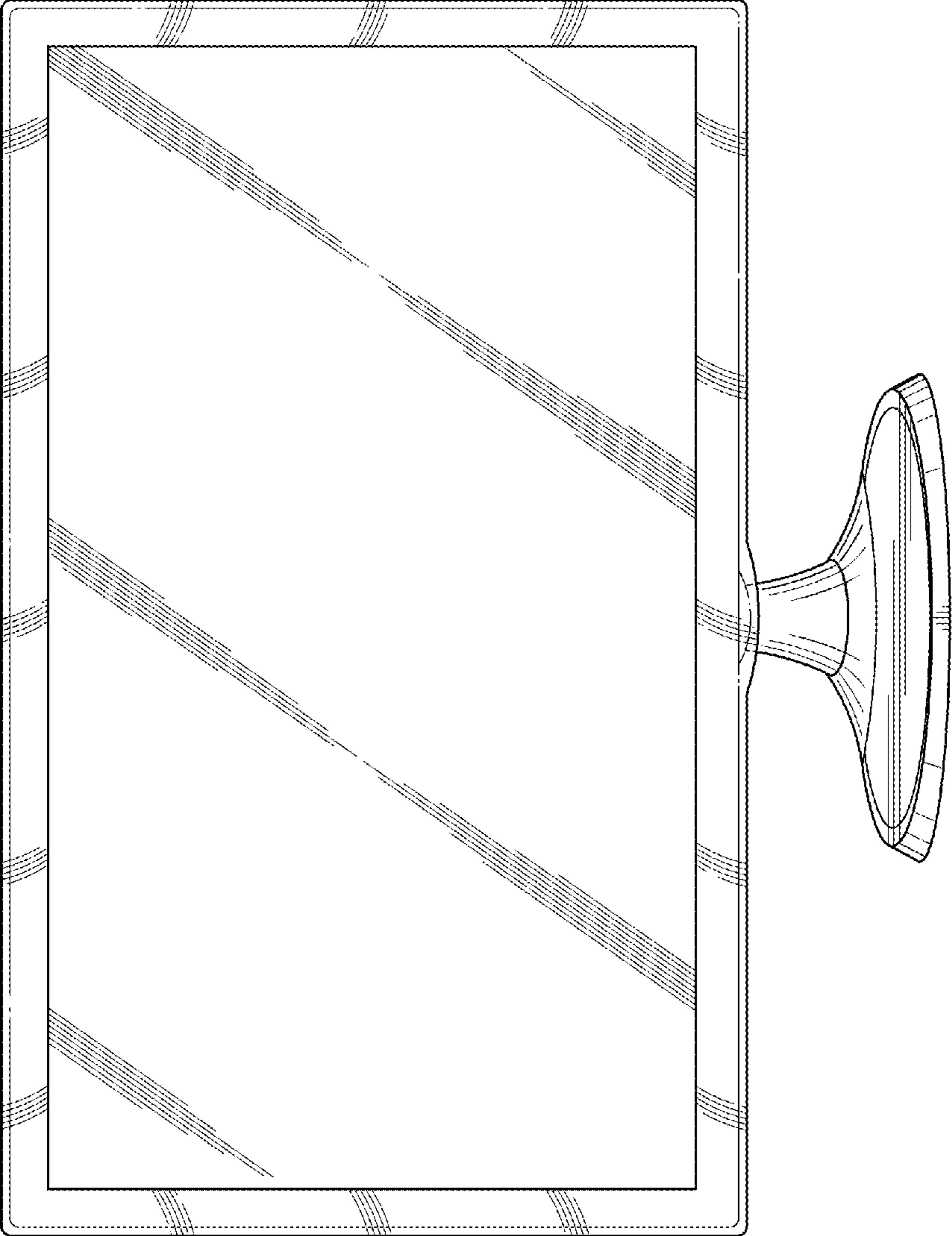


FIG.2

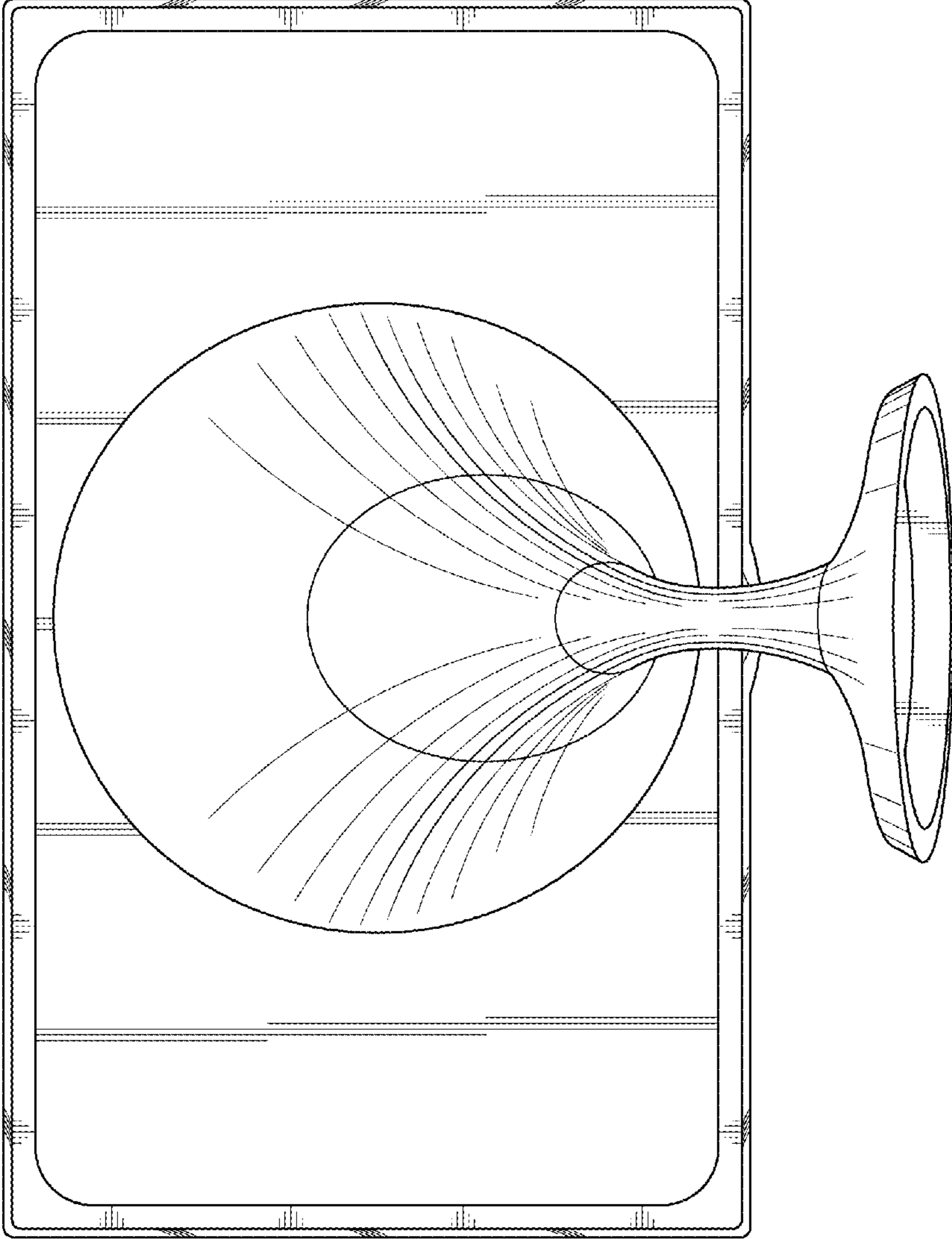


FIG.3

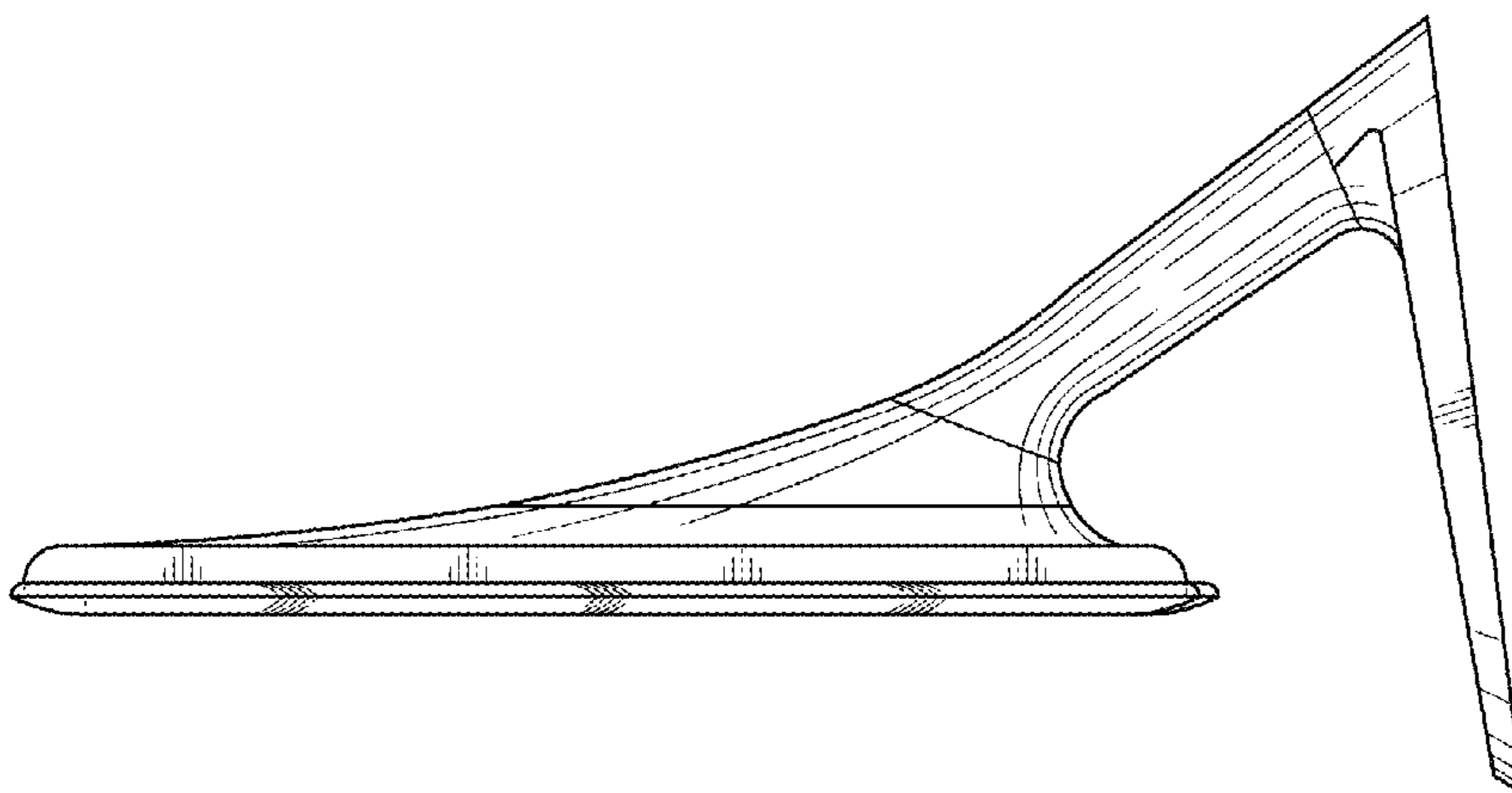


FIG. 5

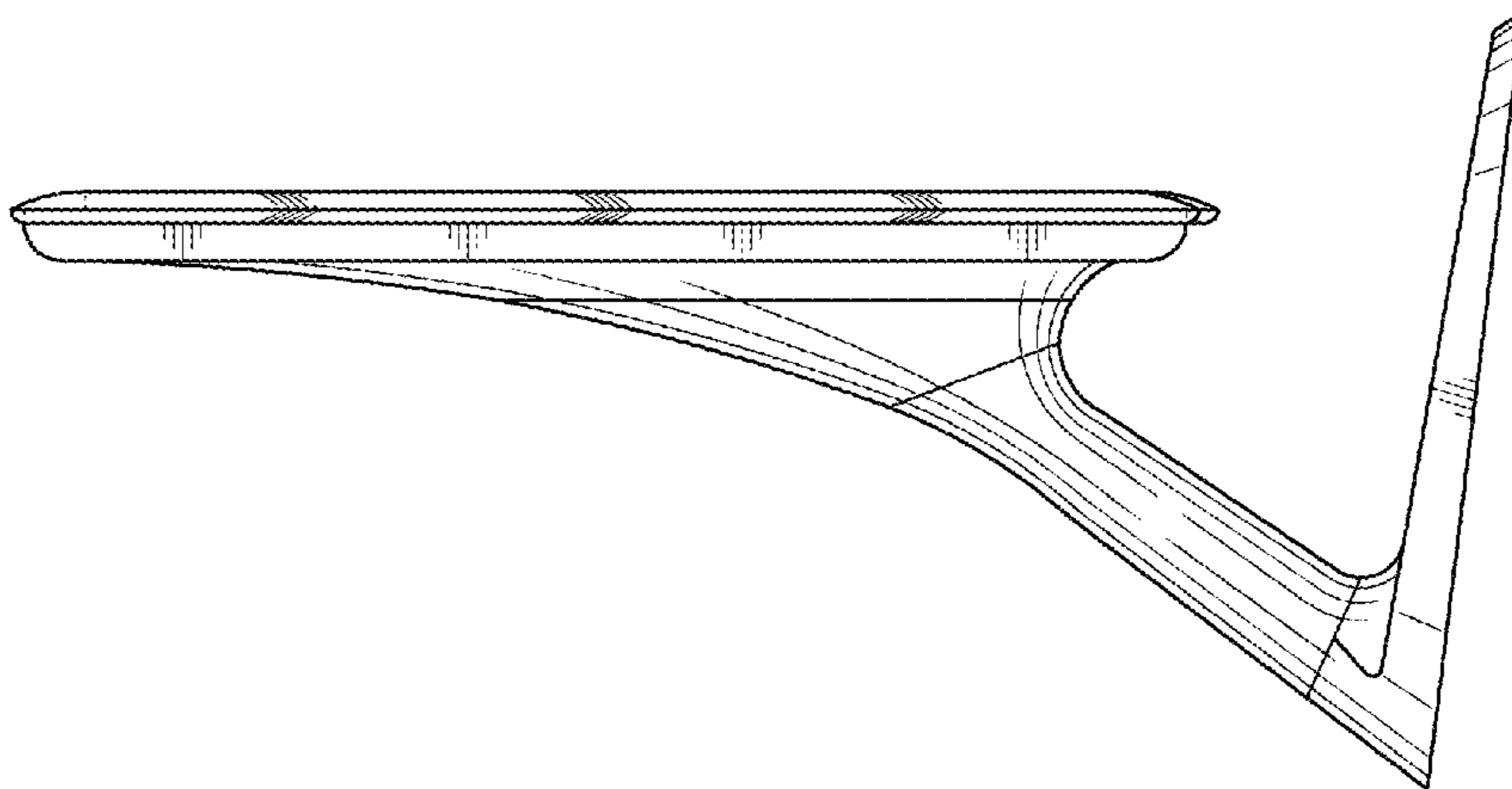


FIG. 4

