

US00D667823S

(12) **United States Design Patent**
Merenda

(10) **Patent No.:** **US D667,823 S**

(45) **Date of Patent:** **** Sep. 25, 2012**

(54) **PROTECTIVE COVER**

(75) Inventor: **John T. Merenda**, New York, NY (US)

(73) Assignee: **Hybrid Skillz Inc.**, New York, NY (US)

(**) Term: **14 Years**

(21) Appl. No.: **29/417,184**

(22) Filed: **Mar. 30, 2012**

(51) **LOC (9) Cl.** **14-03**

(52) **U.S. Cl.** **D14/250**

(58) **Field of Classification Search** D14/250–253,
D14/440, 203.3–203.7, 217, 496, 248, 238.1,
D14/218, 137, 138 R, 138 AA, 138 C, 138 G,
D14/188, 299, 167, 171, 240, 341–347; D3/201,
D3/218, 269, 301, 273, 303; D13/103, 107–108;
220/4.02; 206/223, 320, 701, 702, 722, 576,
206/305; 361/679.55, 679.56; 379/426,
379/433.11, 455; 455/550.1, 569.1, 575.1,
455/575.2, 575.8; 381/182, 315, 384; 191/12.2 R;
242/379; D18/4.6

See application file for complete search history.

(56) **References Cited**

U.S. PATENT DOCUMENTS

D301,034 S *	5/1989	Fujita et al.	D14/138 AA
4,942,617 A	7/1990	Boylan		
5,422,957 A	6/1995	Cummins		
D397,246 S *	8/1998	Hoofnagle et al.	D3/201
D414,178 S *	9/1999	Loubert et al.	D14/137
D427,170 S	6/2000	Edwards et al.		
D434,739 S *	12/2000	Hanna et al.	D14/138 G
6,301,487 B1	10/2001	Nakamura		
6,542,757 B2	4/2003	Bae		
6,633,770 B1	10/2003	Gitzinger		
6,712,304 B1 *	3/2004	Taylor	242/379
6,731,956 B2	5/2004	Hanna		

D510,722 S *	10/2005	Kosiba et al.	D13/103
7,032,728 B2	4/2006	Harcourt		
7,086,512 B2 *	8/2006	Shack et al.	191/12.4
7,180,735 B2	2/2007	Thomas		
D543,197 S *	5/2007	Loughnane	D14/218
D551,846 S *	10/2007	Ko et al.	D3/201
D559,826 S *	1/2008	Lee	D14/138 AD

(Continued)

OTHER PUBLICATIONS

Ipod® Player Case with Retractable Stereo, <URL:http://www.amazon.com/Ipod%AE-Player-Retractable-Stereo-Headphones/dp/B000BT27MO>, retrieved from internet on May 17, 2012.*

(Continued)

Primary Examiner — Carla Wright

(74) *Attorney, Agent, or Firm* — Andrew F. Young, Esq.;
Lackebach Siegel, LLP

(57) **CLAIM**

The ornamental design for a protective cover, as shown and described.

DESCRIPTION

FIG. 1 is a front perspective view of a protective cover showing our new design.

FIG. 2 is a front elevational view of FIG. 1.

FIG. 3 is a rear elevational view of FIG. 1.

FIG. 4 is a left side elevational view of FIG. 1.

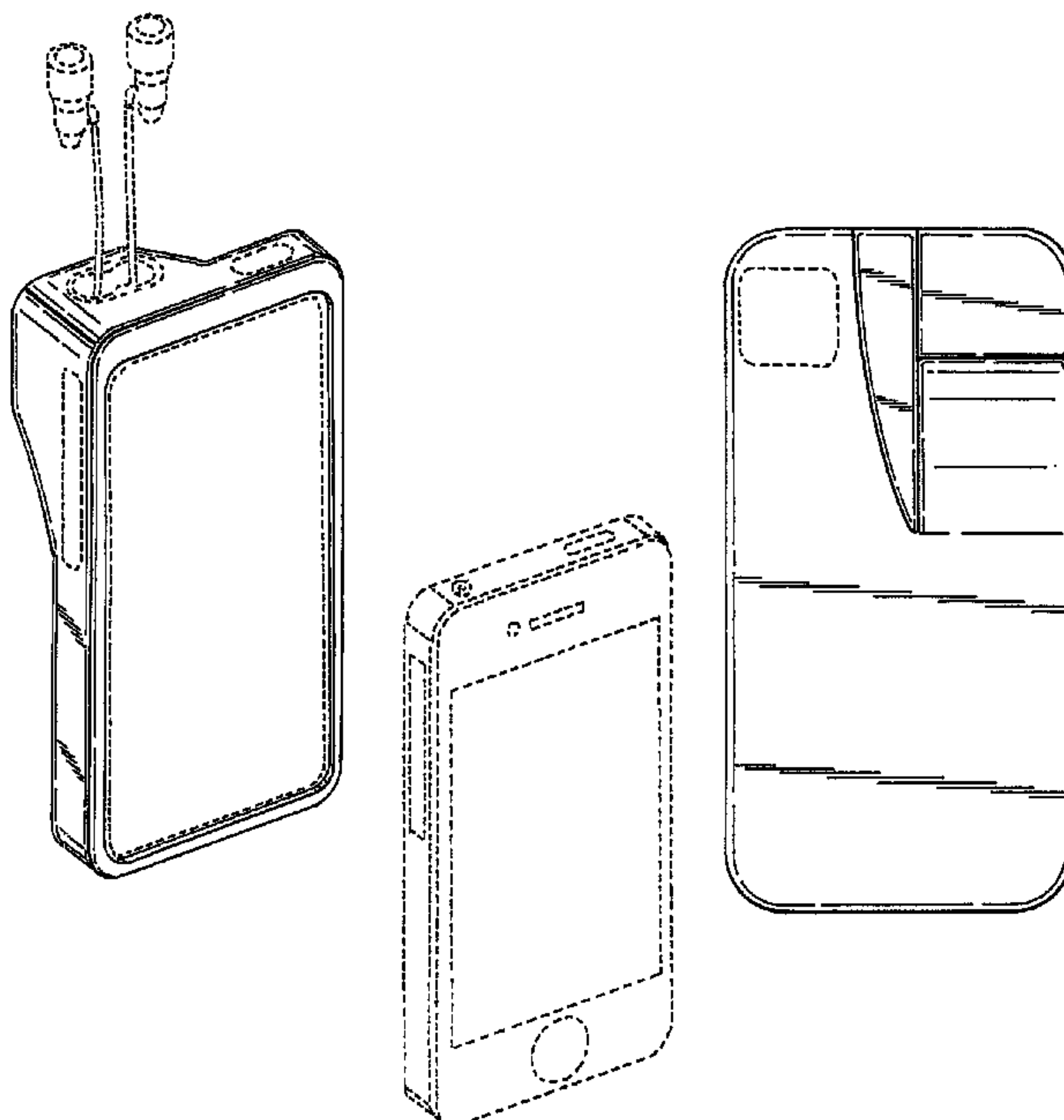
FIG. 5 is a right side elevational view of FIG. 1.

FIG. 6 is a top plan view of FIG. 1; and,

FIG. 7 is bottom plan view of FIG. 1.

The broken lines immediately adjacent the claimed surfaces represent boundaries of the claimed design. All other broken lines depict unclaimed environment. The broken lines form no part of the claimed design.

1 Claim, 3 Drawing Sheets



U.S. PATENT DOCUMENTS

D560,911	S *	2/2008	Hackbart et al.	D3/273
D574,819	S *	8/2008	Andre et al.	D3/269
D603,603	S *	11/2009	Laine et al.	D3/218
7,648,027	B2	1/2010	Lin et al.	
D609,900	S *	2/2010	Behar et al.	D3/201
D611,251	S *	3/2010	Charlwood	D3/269
D619,130	S *	7/2010	Fellig	D14/250
D622,692	S *	8/2010	McWilliam et al.	D14/138 G
D622,716	S *	8/2010	Andre et al.	D14/250
D623,180	S *	9/2010	Diebel	D14/250
D624,114	S *	9/2010	Ausems et al.	D18/4.6
7,822,448	B2	10/2010	Lin	
D635,131	S *	3/2011	Roman	D14/240
D639,052	S *	6/2011	Fathollahi	D3/269
D654,068	S *	2/2012	Monaco et al.	D14/250
D654,483	S *	2/2012	Richardson et al.	D14/250
D654,931	S *	2/2012	Lemelman et al.	D14/496
2003/0096640	A1 *	5/2003	Bae	455/568
2003/0157973	A1	8/2003	Yang	
2003/0224839	A1	12/2003	Takahashi et al.	
2004/0204165	A1	10/2004	Huang	
2005/0220316	A1	10/2005	Hsiang	
2005/0255898	A1	11/2005	Huang	

2006/0058081	A1	3/2006	Reichenbach
2007/0165371	A1	7/2007	Brandenburg
2010/0279743	A1	11/2010	Sim
2011/0170732	A1	7/2011	Parker et al.
2011/0233078	A1	9/2011	Monaco

OTHER PUBLICATIONS

EarGears Phone Case with Built-in Retractable Headphones, shipping for iPhone 4 platform beginning Apr. 2012, <URL:<http://www.ear-gears.com/>>, retrieved from internet on May 17, 2012.*

Sangean DT-220A AM/FM Stereo Pocket Size Radio with Self-Storage Headphones, earliest customer review on Feb. 21, 2004 <URL:<http://www.amazon.com/Sangean-DT-220A-Stereo-Self-Storage-Headphones/dp/B00008AYBF>>, retrieved from internet on May 17, 2012.*

Azeca Clip-On Bluetooth Headset with retractable earbud, posted on Mar. 15, 2012, <URL:<http://thegeekchurch.com/wp-content/uploads/2012/03/Azeca-retractable.png>>, retrieved from internet on May 17, 2012.*

www.quirky.com/ideations/165787, Automatic Wire Retractor Phone Case, dated Mar. 29, 2012, 1 page.

* cited by examiner

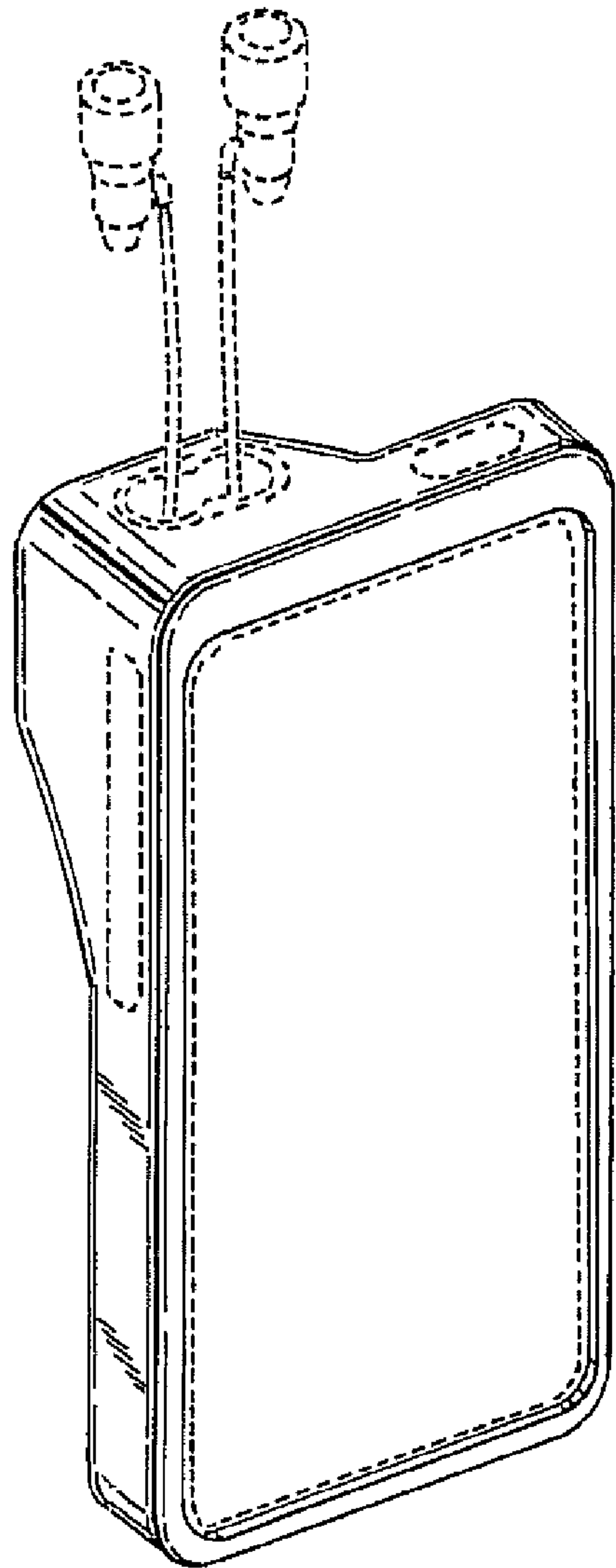
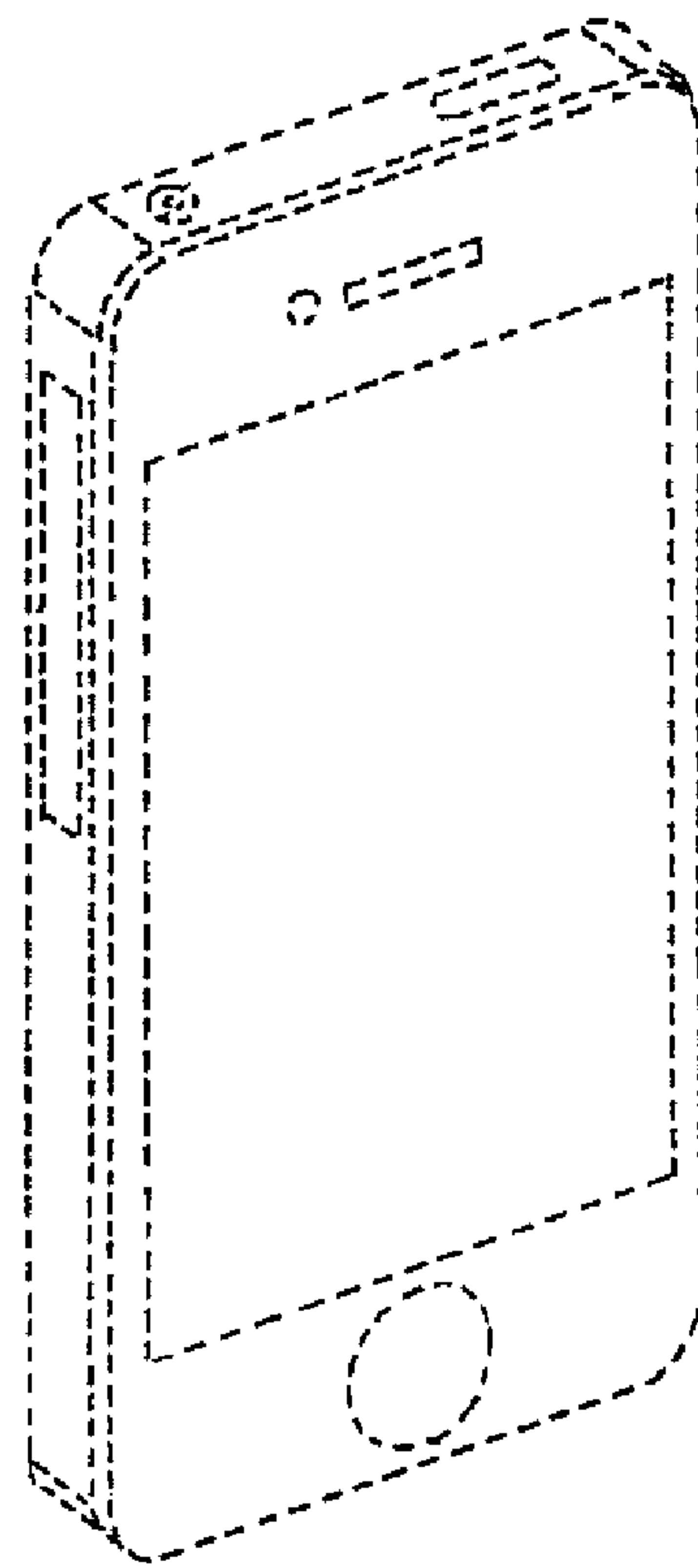


Fig. 1



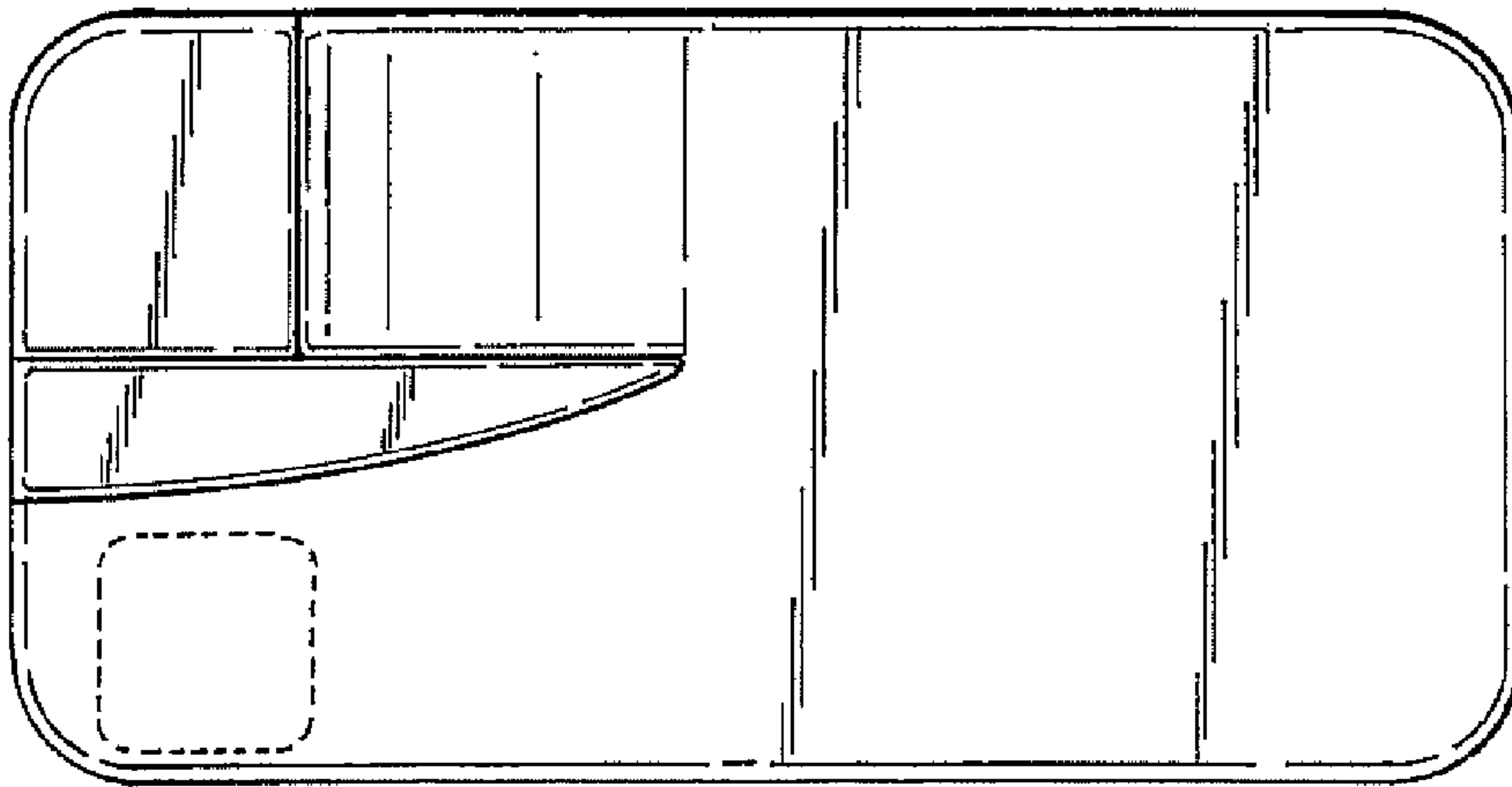


Fig. 3

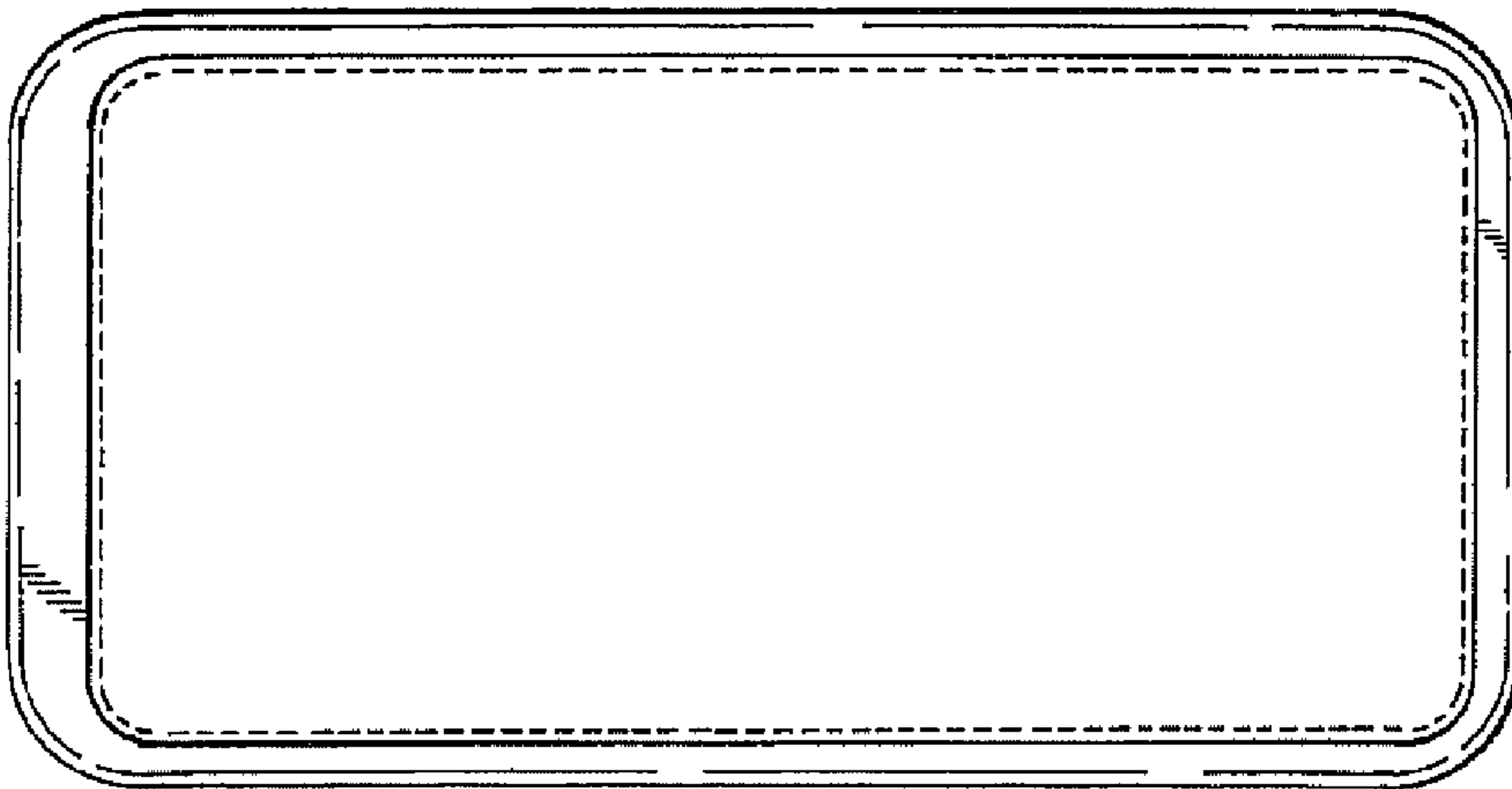


Fig. 2

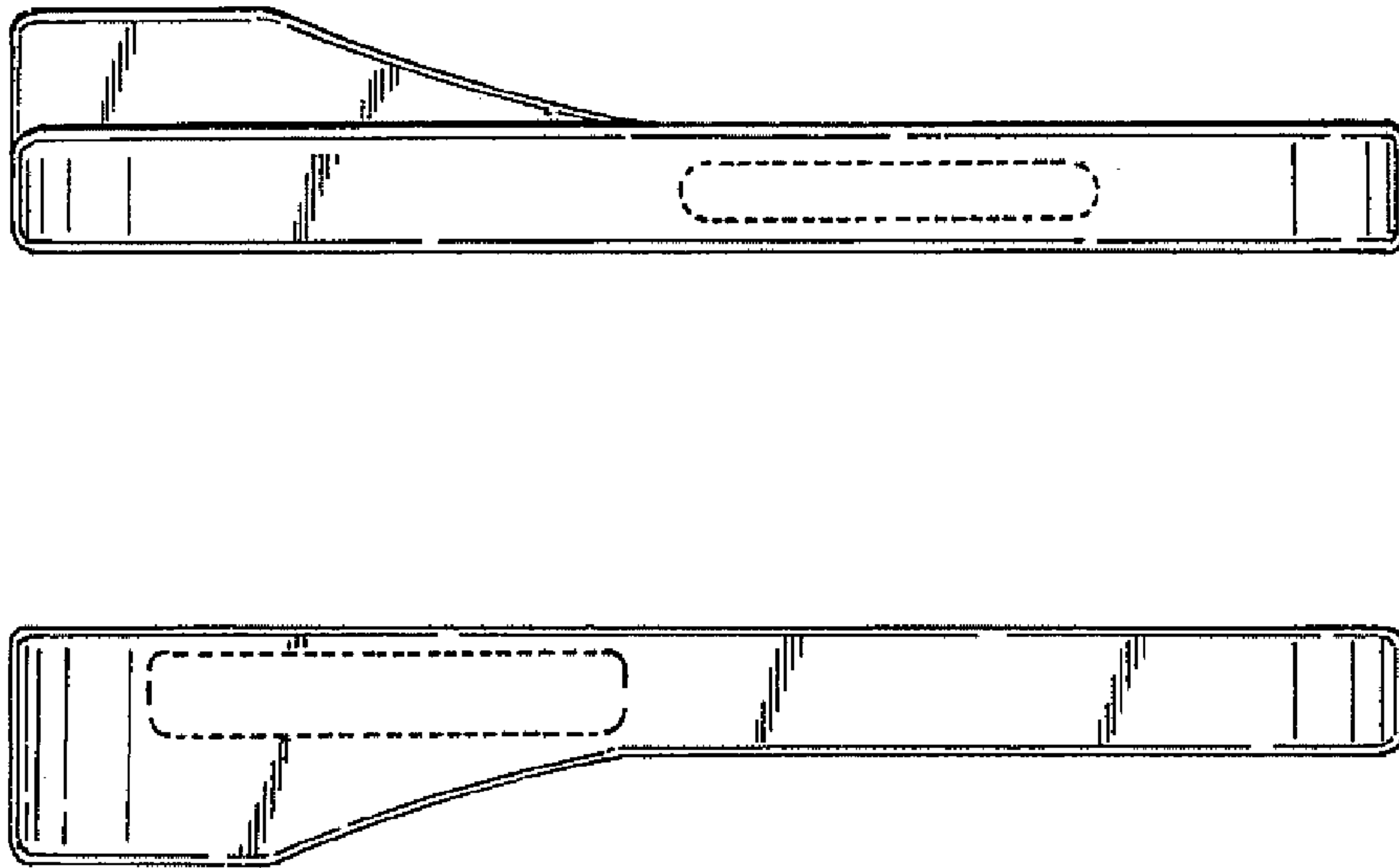


Fig. 4 **Fig. 5**

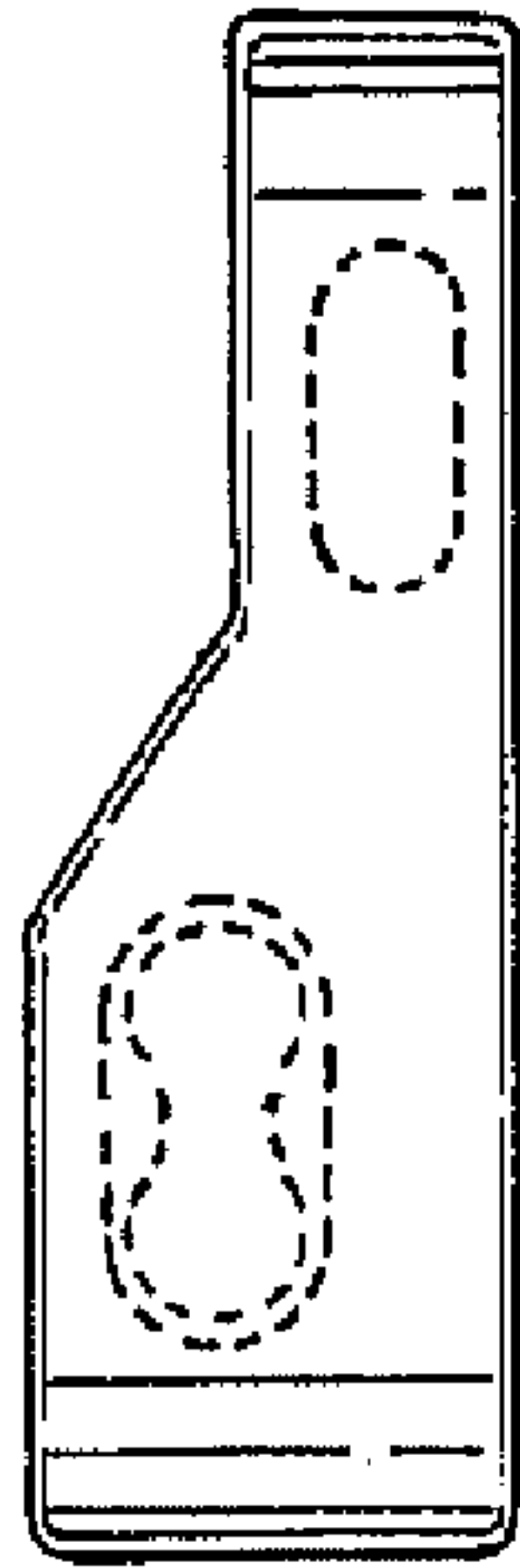


Fig. 6

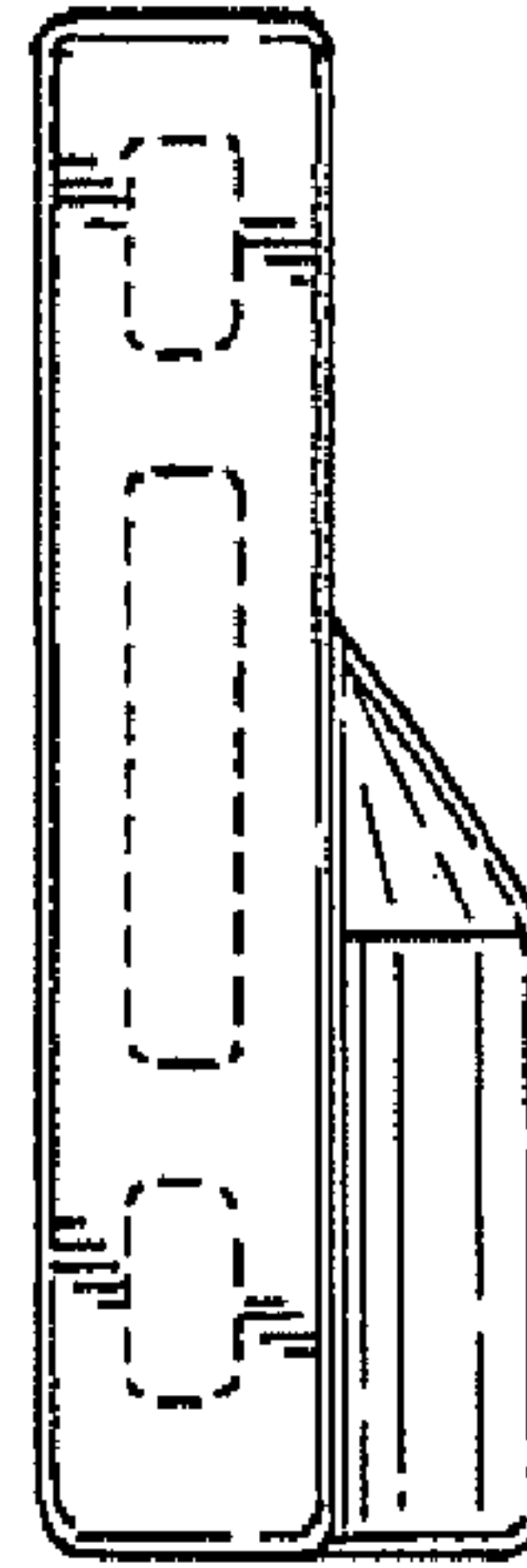


Fig. 7