



US00D667819S

(12) **United States Design Patent**
Slaton

(10) **Patent No.:** **US D667,819 S**

(45) **Date of Patent:** **** Sep. 25, 2012**

(54) **SUPPORT STAND**

(75) Inventor: **Robin R. Slaton**, Fort Collins, CO (US)

(73) Assignee: **Swift Distribution, Inc.**, Torrance, CA (US)

(**) Term: **14 Years**

(21) Appl. No.: **29/353,751**

(22) Filed: **Jan. 13, 2010**

(51) **LOC (9) Cl.** **14-01**

(52) **U.S. Cl.** **D14/224.1**

(58) **Field of Classification Search** D14/204,
D14/211, 217, 224, 224.1, 238.1; D6/449-451,
D6/456, 486; 248/440, 440.1, 441.1, 676-678
See application file for complete search history.

(56) **References Cited**

U.S. PATENT DOCUMENTS

D18,940 S	2/1889	Jackson	
688,623 A	12/1901	Forry	
D137,960 S	5/1944	Hagar	
3,338,539 A	8/1967	Foster	
4,078,757 A *	3/1978	Waters	248/441.1
D257,987 S	1/1981	Schoenig	
4,321,874 A	3/1982	Cenna	
D264,852 S	6/1982	Schoenig	
D268,458 S	4/1983	Schoenig	
4,445,415 A	5/1984	Izquierdo	
D288,755 S	3/1987	Schoenig	
D289,952 S	5/1987	Kido	
D290,355 S	6/1987	Nagele	
4,669,691 A	6/1987	Solomon	
D296,130 S *	6/1988	Riske	D23/411
4,763,865 A	8/1988	Danner	
4,770,380 A	9/1988	Eason et al.	
D304,270 S	10/1989	Goldman	
D306,943 S	4/1990	Hodge et al.	
4,917,341 A	4/1990	Pirchio	
4,988,064 A	1/1991	Hoshino	
4,988,150 A	1/1991	Lindow et al.	
5,029,796 A	7/1991	Schoenig	
D320,034 S	9/1991	Brooks et al.	

5,048,789 A	9/1991	Eason et al.	
D321,293 S	11/1991	Kucsak	
D323,081 S	1/1992	Schaffer	
5,112,020 A	5/1992	Ginsberg	
D326,969 S	6/1992	Eason et al.	
D328,898 S *	8/1992	Christie	D14/211
D329,342 S	9/1992	Schoenig	
5,165,635 A	11/1992	Hoshino	
5,188,321 A	2/1993	Hirschenson et al.	
5,199,930 A	4/1993	Weber	

(Continued)

FOREIGN PATENT DOCUMENTS

CA 2594892 7/2005

(Continued)

OTHER PUBLICATIONS

Pending U.S. Appl. No. 29/286,257, filed Apr. 27, 2007.

(Continued)

Primary Examiner — Kelley Donnelly

(74) *Attorney, Agent, or Firm* — Santangelo Law Offices, P.C.

(57) **CLAIM**

The ornamental design for a support stand, as shown and described.

DESCRIPTION

FIG. 1 is a perspective view of a support stand showing the inventive design.

FIG. 2 shows a front view thereof.

FIG. 3 shows a back view thereof.

FIG. 4 shows a top view thereof.

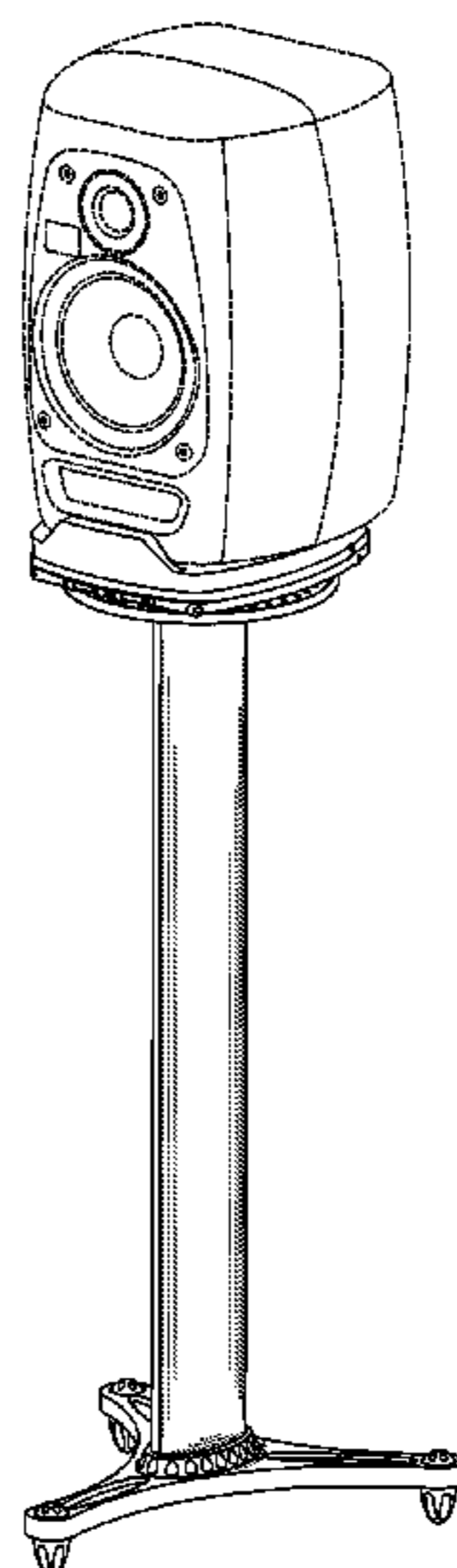
FIG. 5 shows a bottom view thereof.

FIG. 6 shows a left view thereof; and,

FIG. 7 shows a right view thereof.

The broken lines appearing in these figures are included for the purposes of illustrating environment and forms not part of the claimed design.

1 Claim, 7 Drawing Sheets



US D667,819 S

Page 2

U.S. PATENT DOCUMENTS

D335,889	S	5/1993	Gibran	
5,208,736	A	5/1993	Crooks et al.	
D336,099	S	6/1993	Schoenig	
5,251,925	A	10/1993	Haley, Sr.	
5,301,910	A	4/1994	Lang et al.	
D346,920	S *	5/1994	Vidal	D6/486
5,312,076	A	5/1994	Rogov	
5,322,250	A	6/1994	Wilhite, Jr.	
5,358,204	A	10/1994	Terada	
5,390,764	A	2/1995	Kerber	
5,392,476	A	2/1995	Williams	
5,395,088	A	3/1995	Ginsberg	
D360,887	S *	8/1995	Karnaze	D14/224
D364,281	S	11/1995	Eason	
D364,516	S	11/1995	Helenowski	
5,467,953	A	11/1995	Malizia	
5,509,629	A	4/1996	Sassmannshausen et al.	
D370,575	S	6/1996	Lechleiter et al.	
5,565,889	A	10/1996	Crooks et al.	
D375,639	S	11/1996	House et al.	
5,572,237	A	11/1996	Crooks et al.	
5,603,480	A	2/1997	Chen	
5,732,928	A	3/1998	Chang	
D400,735	S *	11/1998	House et al.	D6/466
5,857,649	A	1/1999	Eason	
5,894,406	A	4/1999	Blend et al.	
D409,020	S	5/1999	Hardin	
D409,594	S	5/1999	Lepack	
D414,962	S	10/1999	Welsh et al.	
D416,464	S	11/1999	Eason	
5,996,814	A	12/1999	Workman et al.	
D421,447	S	3/2000	Eason	
6,045,179	A	4/2000	Harrison	
D435,365	S	12/2000	Eason et al.	
D445,274	S *	7/2001	Gasmi	D6/396
6,283,421	B1	9/2001	Eason et al.	
D450,339	S	11/2001	Eason	
D451,494	S *	12/2001	Oikawa	D14/214
6,343,802	B1	2/2002	Workman et al.	
D454,263	S *	3/2002	Worrall	D6/449
6,375,135	B1	4/2002	Eason et al.	
D468,133	S	1/2003	Lauts	
D470,336	S	2/2003	Malizia	
D471,891	S *	3/2003	Oikawa	D14/211
6,563,035	B2	5/2003	Hsieh	
D475,555	S	6/2003	Lauts	
4,671,479	A1	8/2003	Malizia	
6,695,268	B1	2/2004	Hsieh	
D488,803	S *	4/2004	Chin et al.	D14/224
D493,363	S	7/2004	Eason	
6,789,772	B2	9/2004	Eason	
6,814,332	B2	11/2004	Eason	
D506,219	S	6/2005	Eason	
D515,555	S *	2/2006	Liang	D14/211
D555,946	S *	11/2007	DeJule	D6/498
D562,307	S *	2/2008	Warden	D14/211
D567,547	S *	4/2008	Gauger	D6/486
7,412,069	B2	8/2008	Workman et al.	
D576,870	S	9/2008	Eason et al.	
D578,103	S *	10/2008	Matsuoka	D14/211
D579,926	S *	11/2008	Whitworth	D14/224
D579,927	S *	11/2008	Whitworth	D14/224
D580,262	S	11/2008	Eason et al.	
D581,697	S *	12/2008	Fix	D6/449
D581,698	S *	12/2008	Fix	D6/449
D639,088	S *	6/2011	Rodgers et al.	D6/449
D643,230	S *	8/2011	Hepeng	D6/411
2002/0100852	A1	8/2002	Eason et al.	

2002/0109051	A1	8/2002	Kitagawa et al.
2004/0144233	A1	7/2004	Hsieh
2005/0035247	A1	2/2005	Roberts et al.
2008/0135697	A1	6/2008	Workman et al.
2008/0229901	A1	9/2008	Eason et al.
2008/0247810	A1	10/2008	Eason

FOREIGN PATENT DOCUMENTS

CA	122836	9/2008
CA	122838	11/2008
CA	122837	6/2009
CA	126835	10/2009
CN	200730329517.6	12/2008
CN	200730329519.5	4/2009
CN	200730329518	11/2009
DE	11-2004-000-142	12/2005
EP	1714272	10/2006
GB	2412850	7/2007
GB	2429494	8/2007
JP	2007-525627	9/2007
WO	2004065841	8/2004
WO	2004066667	8/2004
WO	2005070184	8/2004
WO	20050070132	A2 4/2005
WO	20050067541	A2 7/2005
WO	2005070123	8/2005
WO	2006073383	A2 7/2006
WO	2008134653	11/2008
WO	2009091929	7/2009

OTHER PUBLICATIONS

Pending U.S. Appl. No. 29/294,538, filed Jan. 15, 2008.
 Pending U.S. Appl. No. 61/144,649, filed Jan. 14, 2009.
 Pending U.S. Appl. No. 12/597,905, filed Oct. 27, 2009.
 Pending U.S. Appl. No. 29/230,680, filed May 24, 2005.
 Konig & Meyer Spider Keyboard Stand, audioMIDI.com Dec. 28, 2004.
 Ultimate Support Systems, Inc. 1993 Product Catalog (Music Stand Edition).
 Ultimate Support Systems, Inc. 1994 Product Catalog (Music Stand Edition).
 Ultimate Support Systems, Inc. 1996 Product Catalog (Music Stand Edition).
 Ultimate Support Systems, Inc. 1998 Product Catalog (Music Stand Edition).
 Ultimate Support Systems, Inc. 1999 Product Catalog (Music Stand Edition).
 Ultimate Support Systems, Inc. 2000 Product Catalog (Music Stand Edition).
 Ultimate Support Systems, Inc. 2001 Product Catalog (Music Stand Edition).
 Ultimate Support Systems, Inc. 2002 Product Catalog (Music Stand Edition).
 Ultimate Support Systems, Inc. 2003 Product Catalog (Music Stand Edition).
 Ultimate Support Systems, Inc. 2004 Product Catalog (Bicycle Stand Edition).
 Ultimate Support Systems, Inc. 2004 Product Catalog (Music Stand Edition).
 Ultimate Support Systems, Inc. 2005 Product Catalog (Bicycle Stand Edition).
 Ultimate Support Systems, Inc. 2005 Product Catalog (Music Stand Edition).
 Ultimate Support Systems, Inc. 2008 Product Catalog (Music Stand Edition).

* cited by examiner

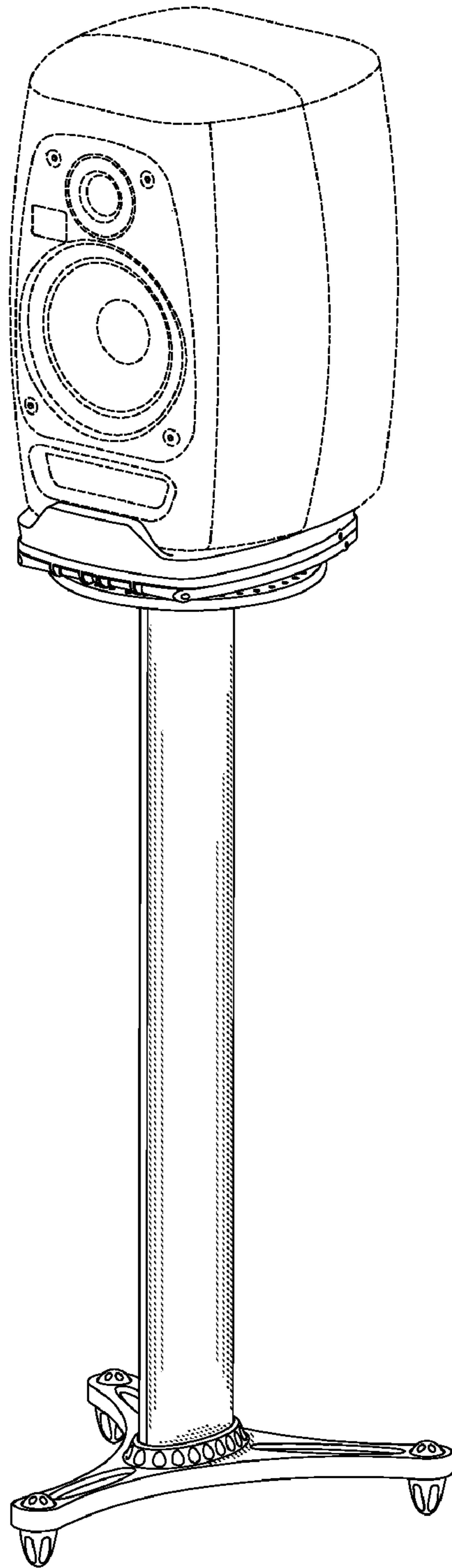


Fig. 1

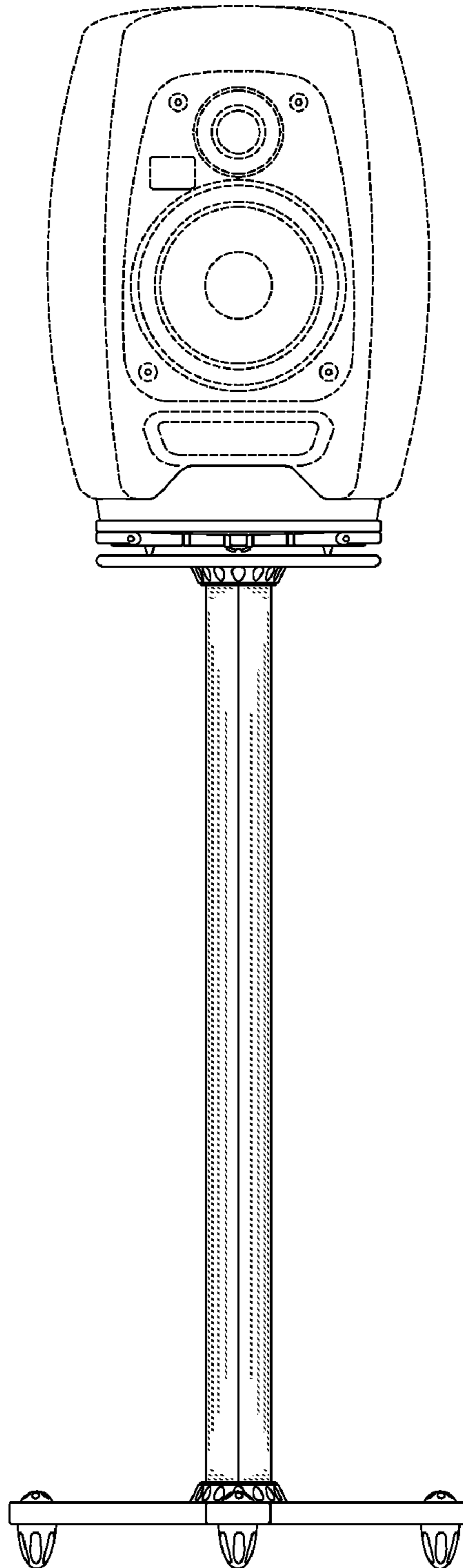


Fig. 2

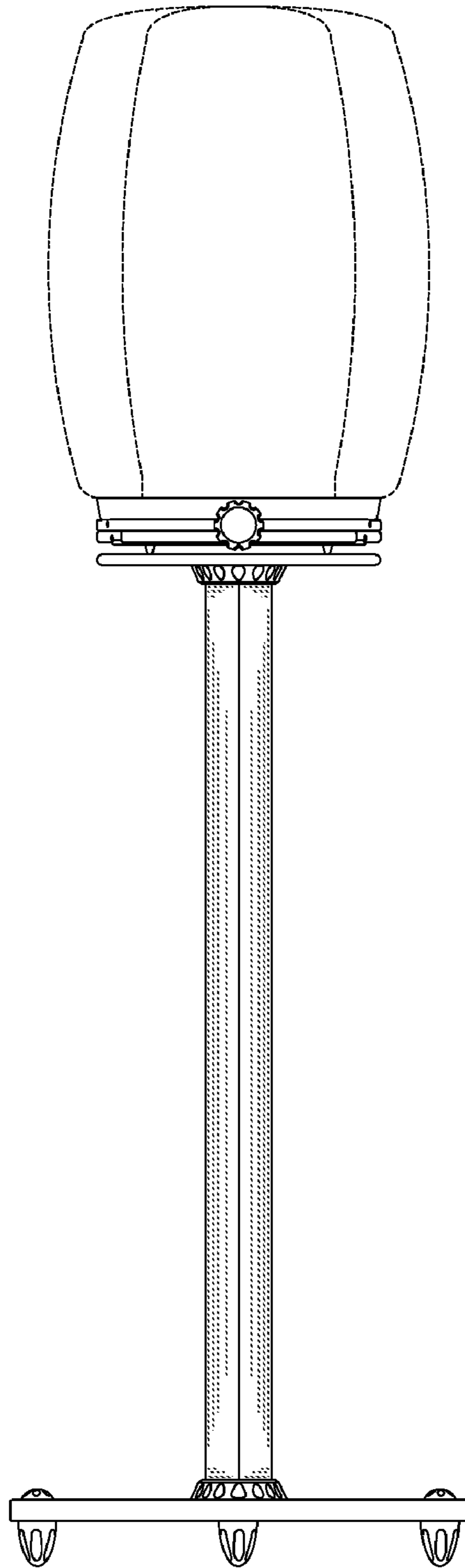


Fig. 3

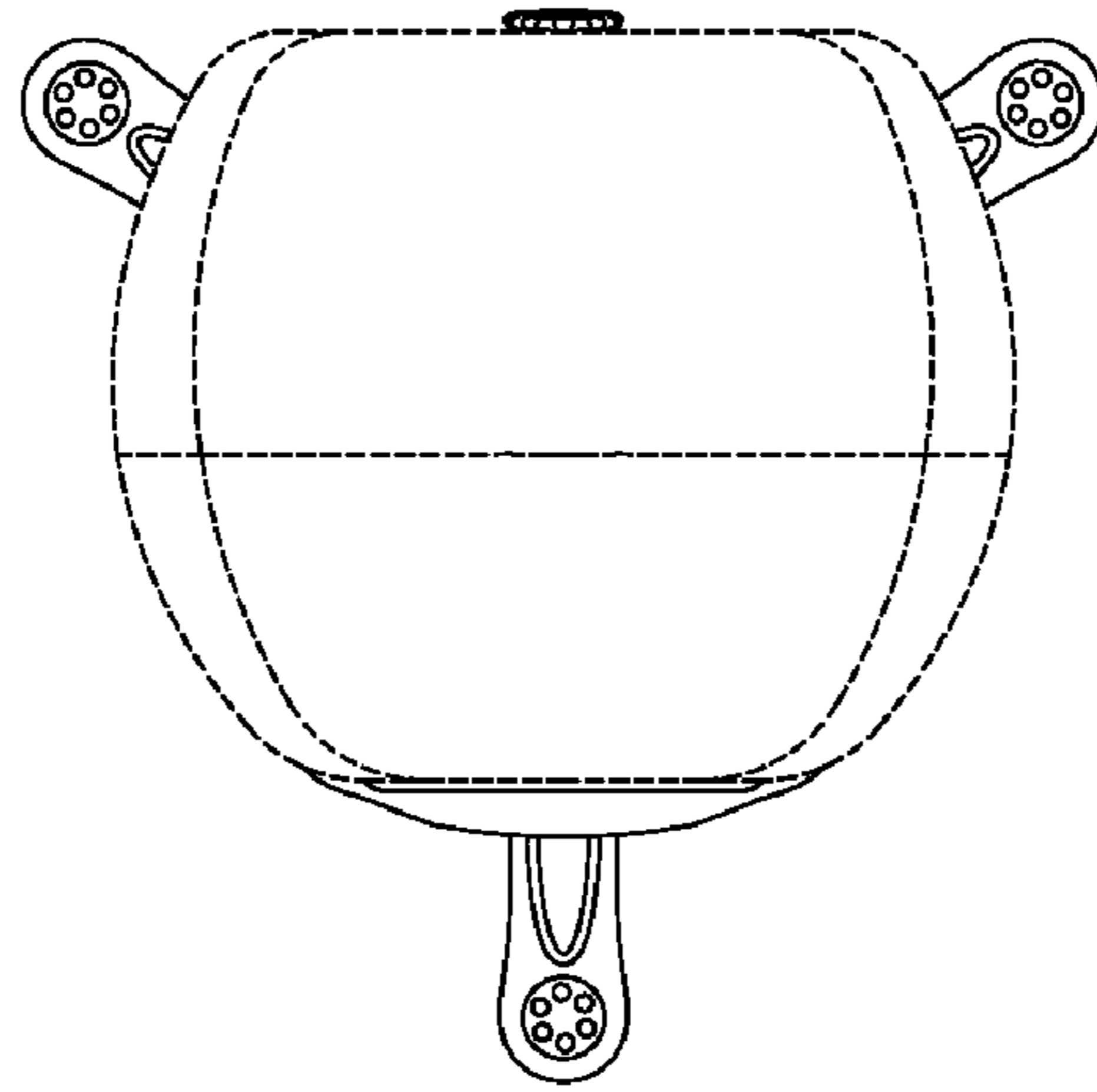


Fig. 4

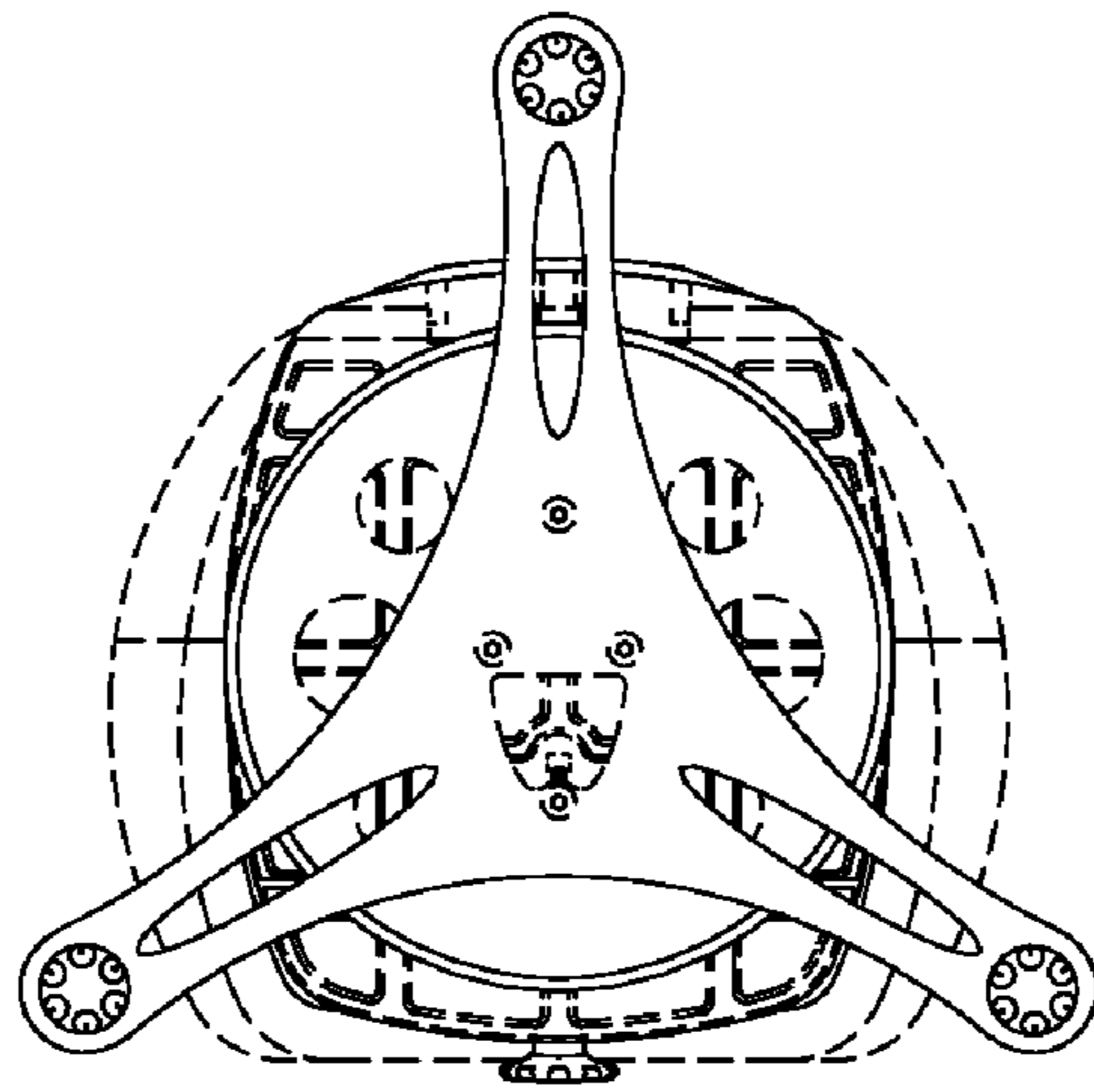


Fig. 5

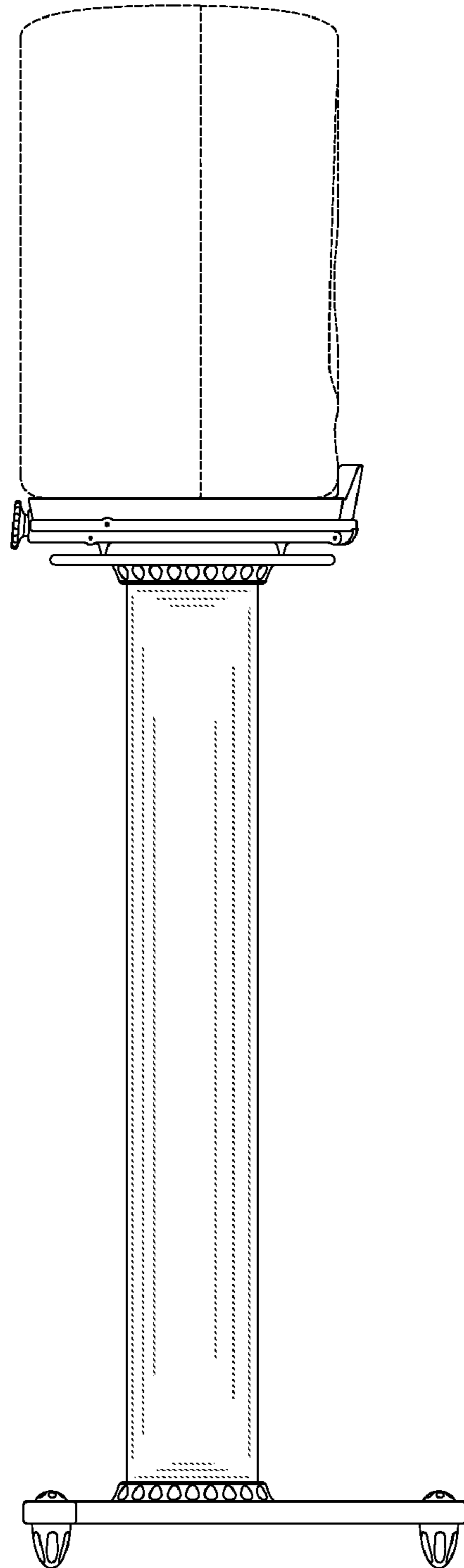


Fig. 6

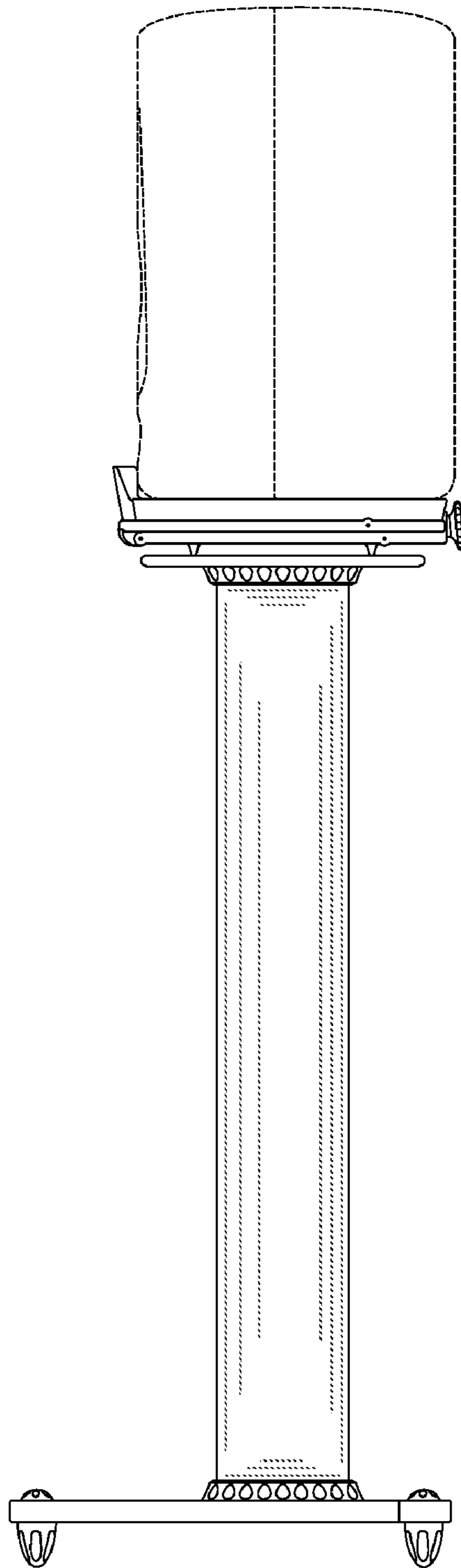


Fig. 7