



US00D667818S

(12) **United States Design Patent**
Sogabe et al.

(10) **Patent No.:** **US D667,818 S**

(45) **Date of Patent:** **** Sep. 25, 2012**

(54) **EARPHONE**

(75) Inventors: **Takashi Sogabe**, Tokyo (JP); **Taichi Nokuo**, Tokyo (JP)

(73) Assignee: **Sony Computer Entertainment Inc.**, Tokyo (JP)

(**) Term: **14 Years**

(21) Appl. No.: **29/371,929**

(22) Filed: **Jan. 30, 2012**

(30) **Foreign Application Priority Data**

Aug. 15, 2011 (JP) D2011-018630

(51) **LOC (9) Cl.** **14-01**

(52) **U.S. Cl.** **D14/223**

(58) **Field of Classification Search** D14/205,
D14/206, 223; 181/129, 130, 135; 379/430,
379/431; 381/380, 381; D8/90, 47; 455/90.3,
455/575.2

See application file for complete search history.

(56) **References Cited**

U.S. PATENT DOCUMENTS

2,089,619	A *	8/1937	Ripley	407/29.1
2,145,449	A *	1/1939	Lockhart	381/151
3,060,440	A *	10/1962	De Caro et al.	227/147
4,041,558	A *	8/1977	Victor	7/158
D360,121	S *	7/1995	Anderson	D8/90
D371,302	S *	7/1996	Spirer	D8/47
D474,171	S	5/2003	Suzuki		
D519,108	S *	4/2006	Yang	D14/223
D531,169	S *	10/2006	Tokioka et al.	D14/223
D539,268	S *	3/2007	Suzuki	D14/206
D567,217	S *	4/2008	Kamo et al.	D14/205
D587,681	S *	3/2009	Yanai	D14/205
D591,721	S	5/2009	Densho		
D594,441	S *	6/2009	Lee et al.	D14/205
D595,268	S *	6/2009	Kolton	D14/223
7,551,748	B2 *	6/2009	Kamo et al.	381/380

D598,894	S *	8/2009	Masuda et al.	D14/205
D606,971	S *	12/2009	Christopher et al.	D14/205
D611,934	S *	3/2010	Schaefer	D14/223
D618,211	S *	6/2010	Oguro et al.	D14/205
D623,630	S *	9/2010	Ohori et al.	D14/223
D624,056	S *	9/2010	Kolton	D14/223
D627,338	S *	11/2010	Koss et al.	D14/223
D629,395	S *	12/2010	Lee et al.	D14/223
D635,558	S	4/2011	Zheng		
D637,585	S *	5/2011	Nagayama et al.	D14/223
D639,282	S *	6/2011	Ohori et al.	D14/223
D639,283	S *	6/2011	Ozawa et al.	D14/223
D642,163	S *	7/2011	Lee et al.	D14/223
D643,416	S *	8/2011	Chong et al.	D14/223
D647,081	S *	10/2011	Kwon	D14/223
D656,491	S *	3/2012	Nomura	D14/223

FOREIGN PATENT DOCUMENTS

JP	D1324696	S	2/2008
JP	D1337841	S	7/2008
JP	D1350663	S	1/2009
JP	D1397197	S	6/2010

* cited by examiner

Primary Examiner — Paula Greene

(74) *Attorney, Agent, or Firm* — Rader, Fishman & Grauer PLLC

(57) **CLAIM**

The ornamental design for an earphone, as shown and described.

DESCRIPTION

FIG. 1 is a front, top, right perspective view of an earphone showing our new design;
FIG. 2 is a rear, bottom, left perspective view thereof;
FIG. 3 is a front elevational view thereof;
FIG. 4 is a rear elevational view thereof;
FIG. 5 is a left side elevational view thereof;
FIG. 6 is a right side elevational view thereof; and
FIG. 7 is a top plan view thereof; and,
FIG. 8 is a bottom plan view thereof.

1 Claim, 7 Drawing Sheets

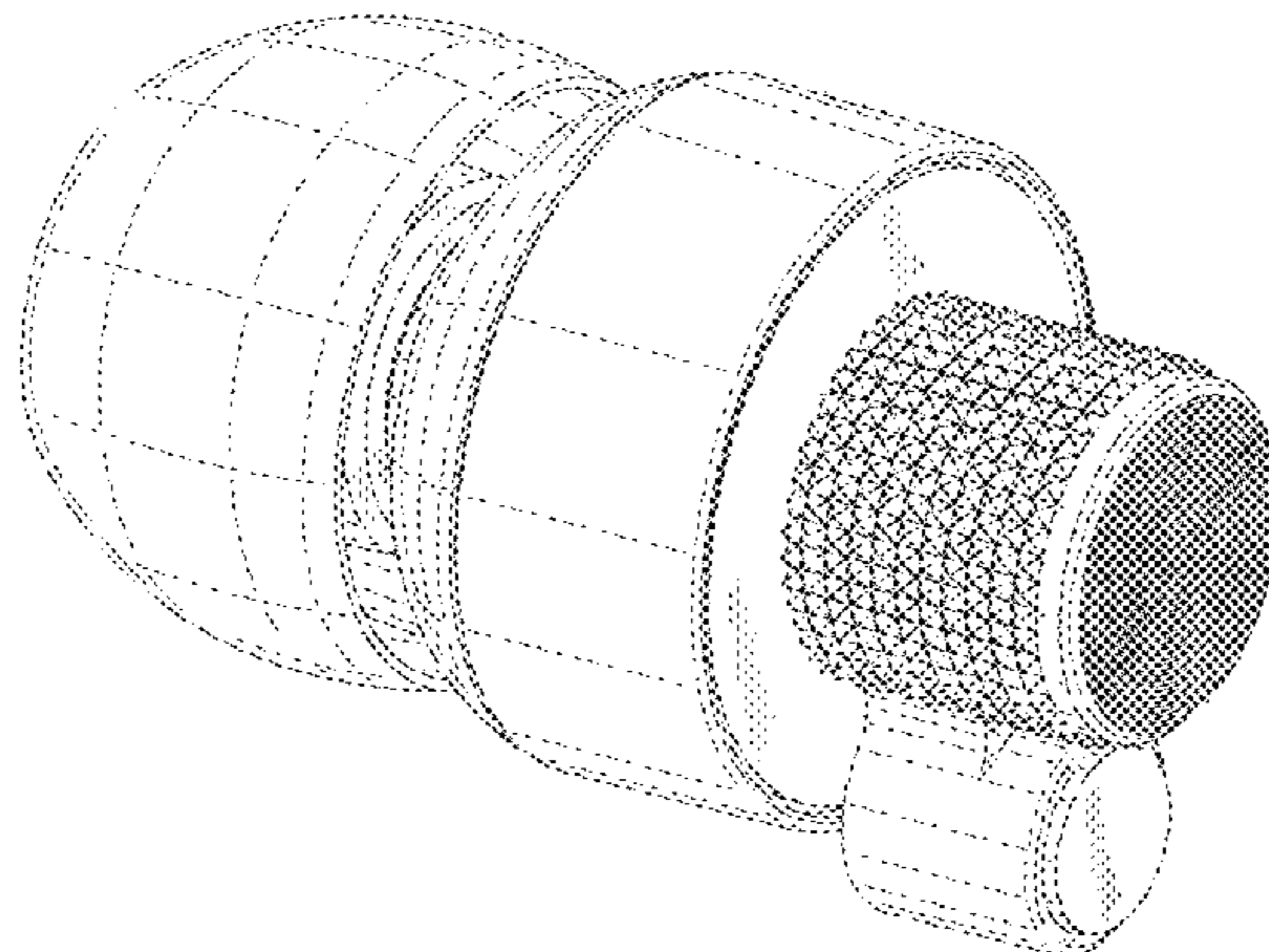


FIG. 1

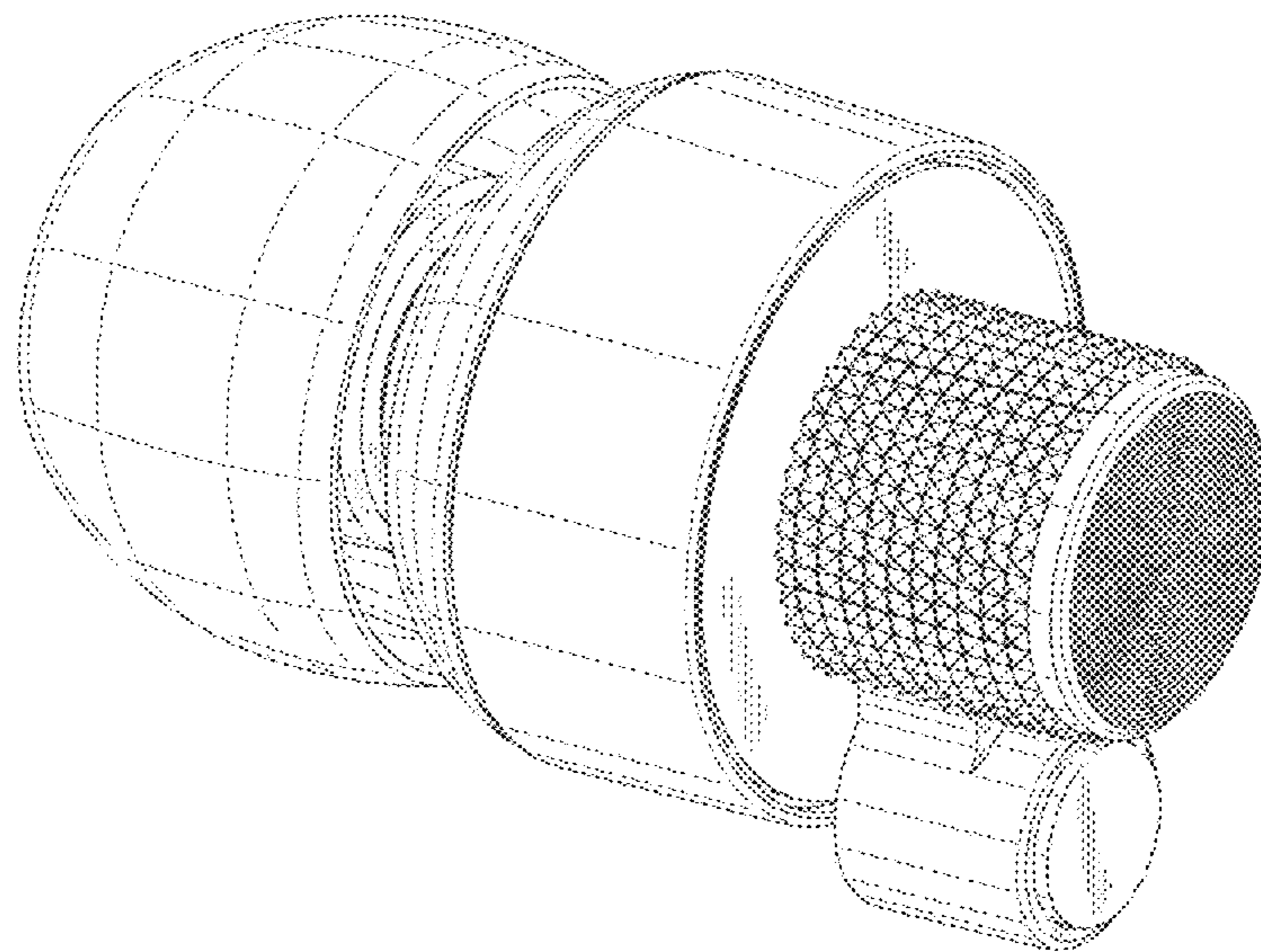


FIG.2

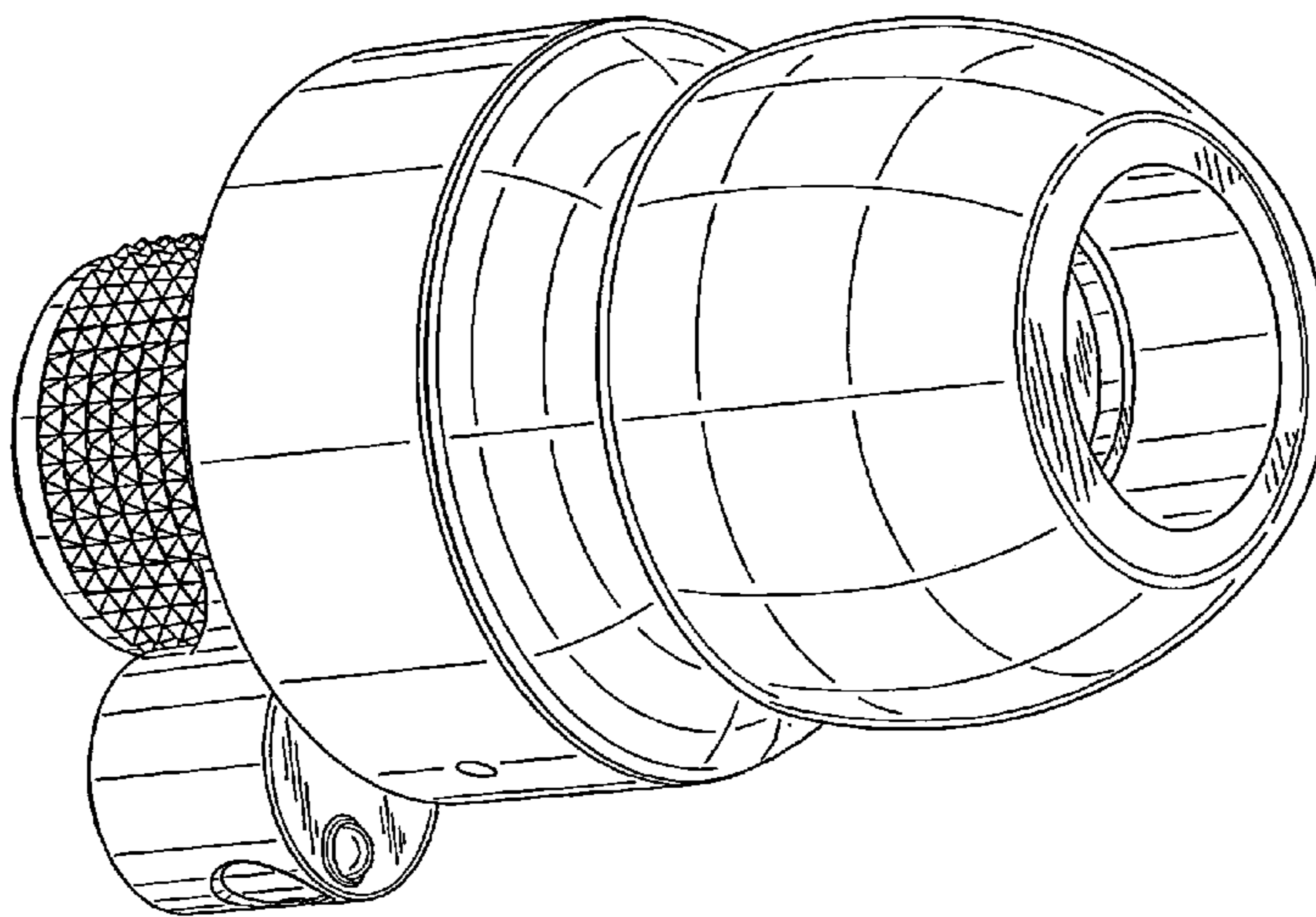


FIG.3

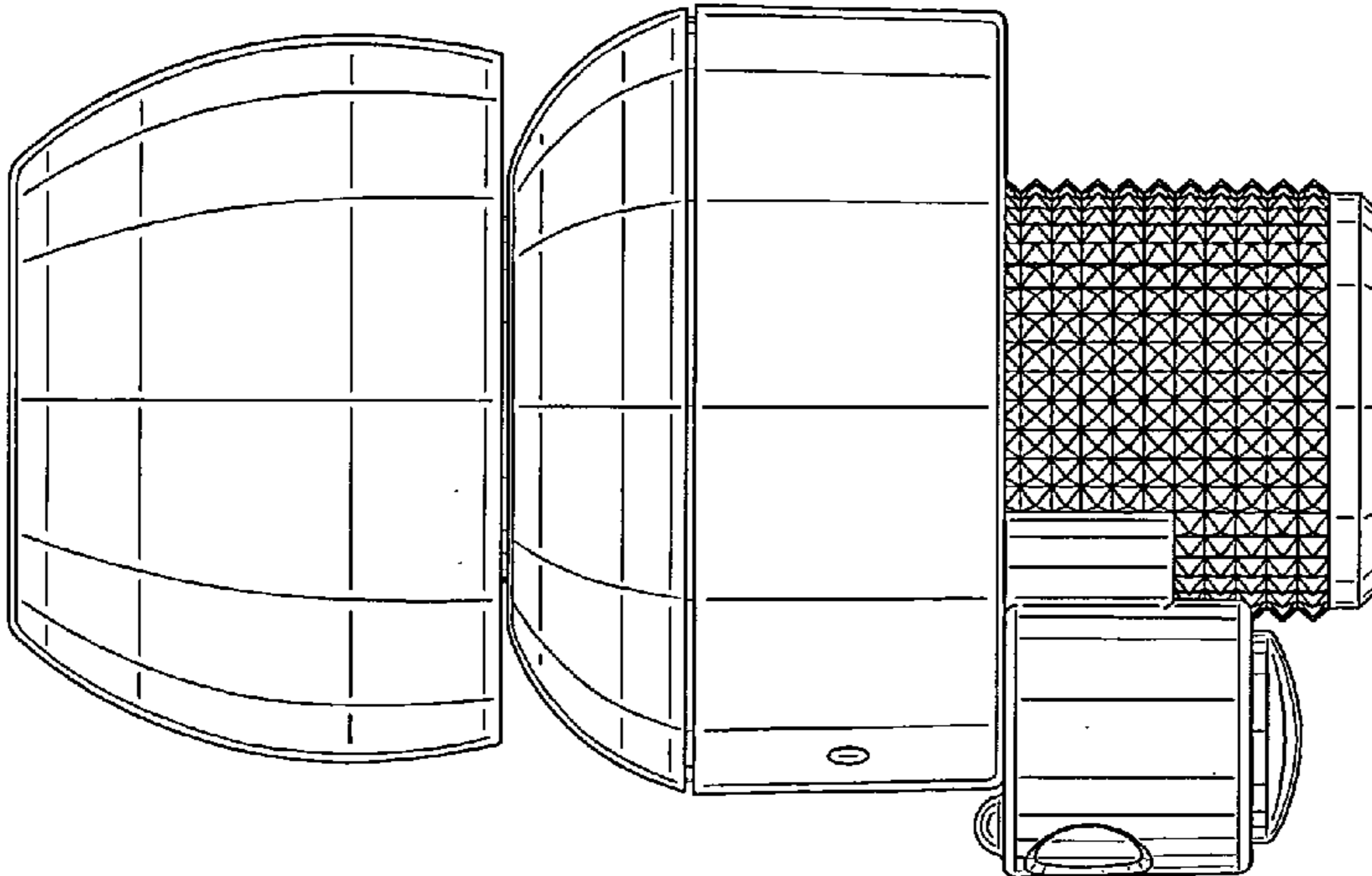


FIG.4

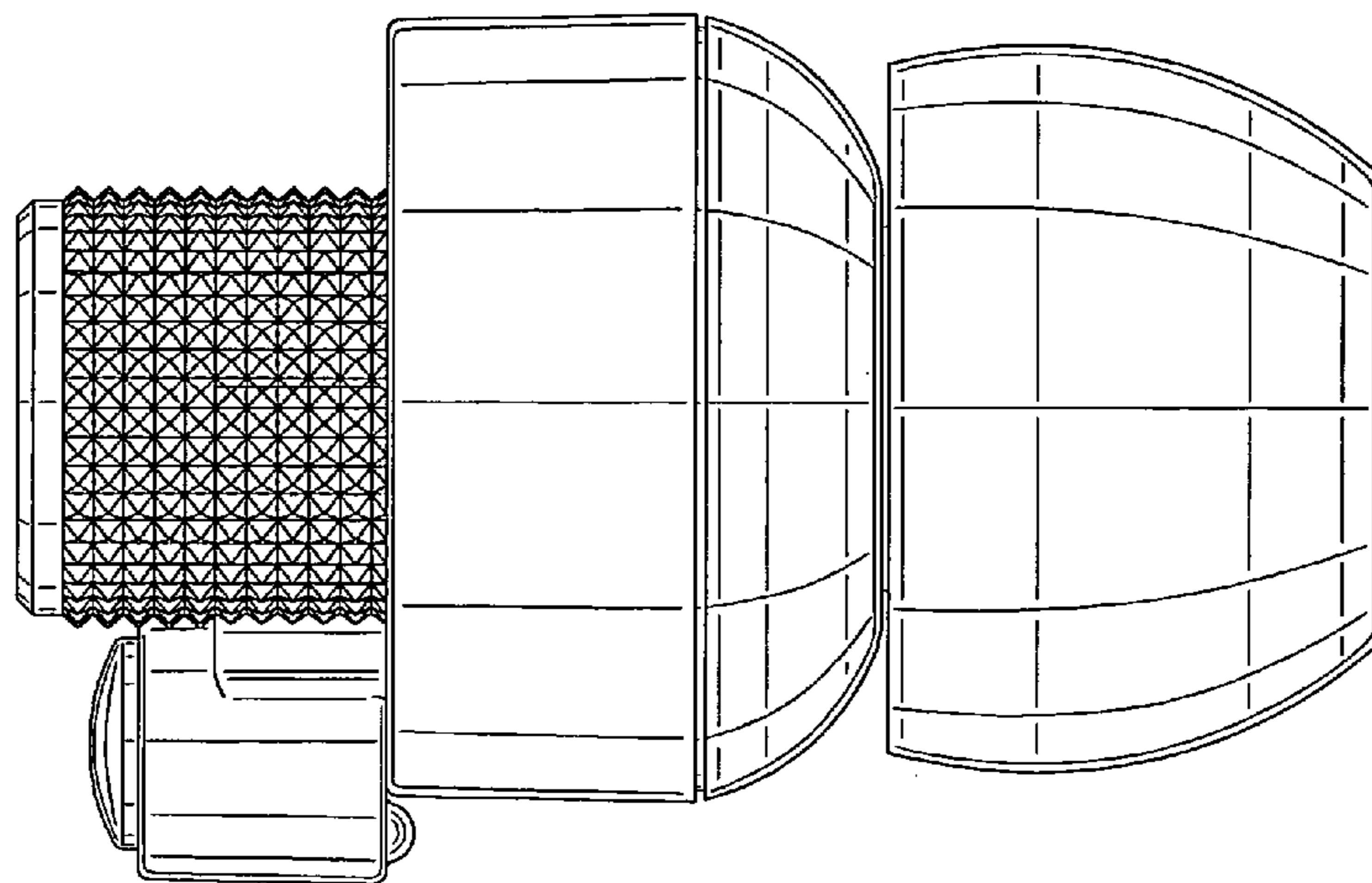


FIG.5

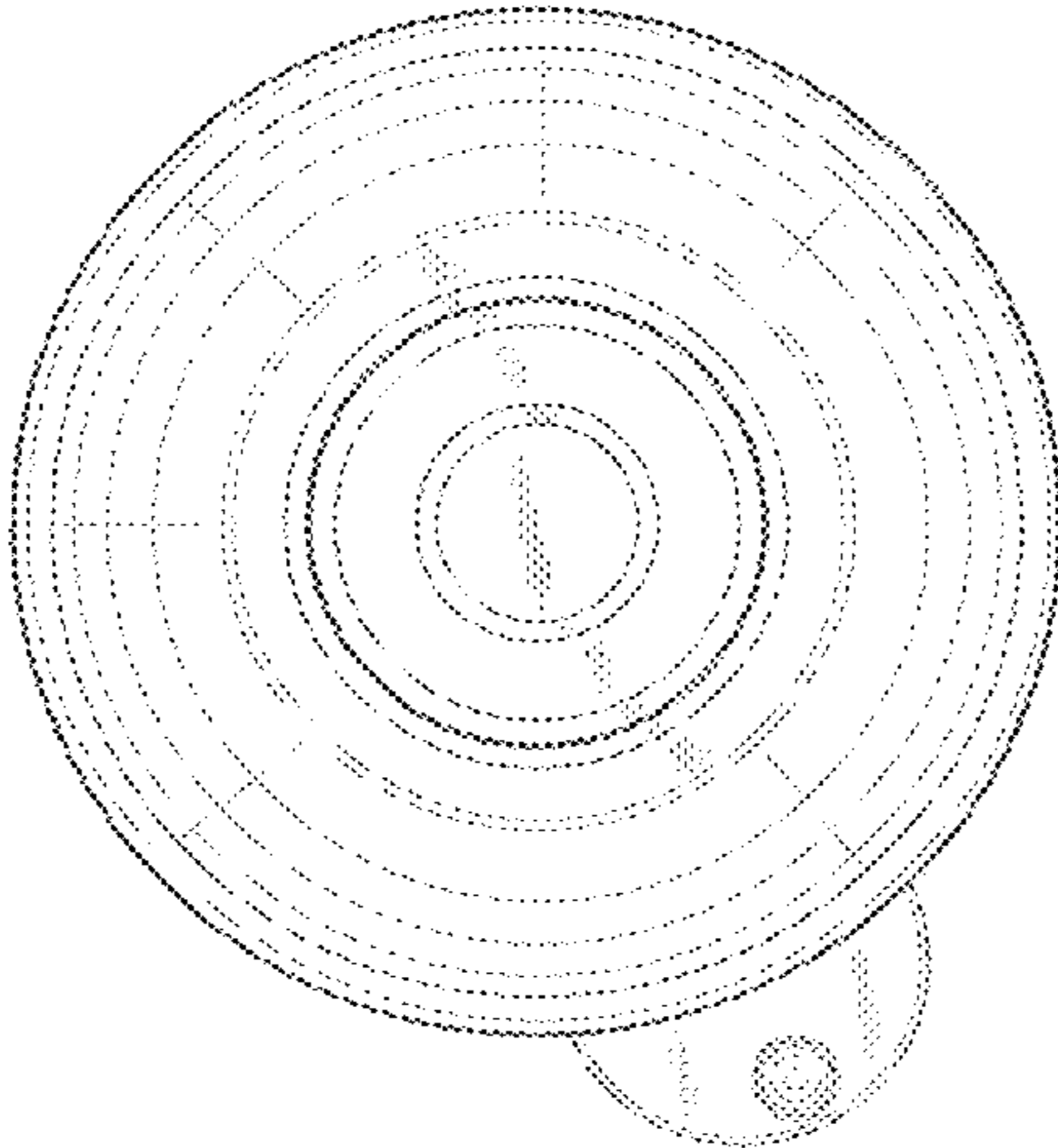


FIG.6

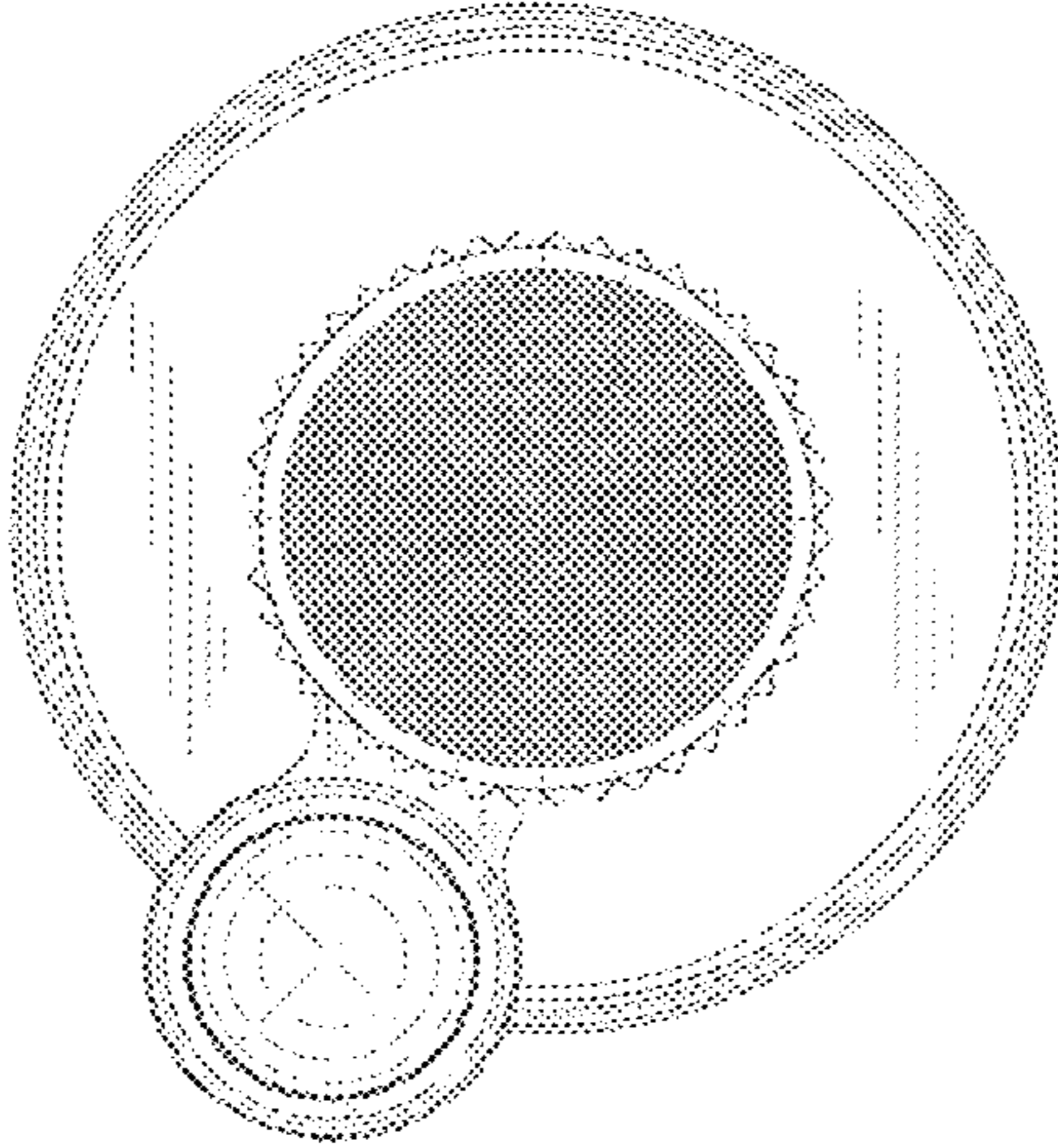


FIG.7

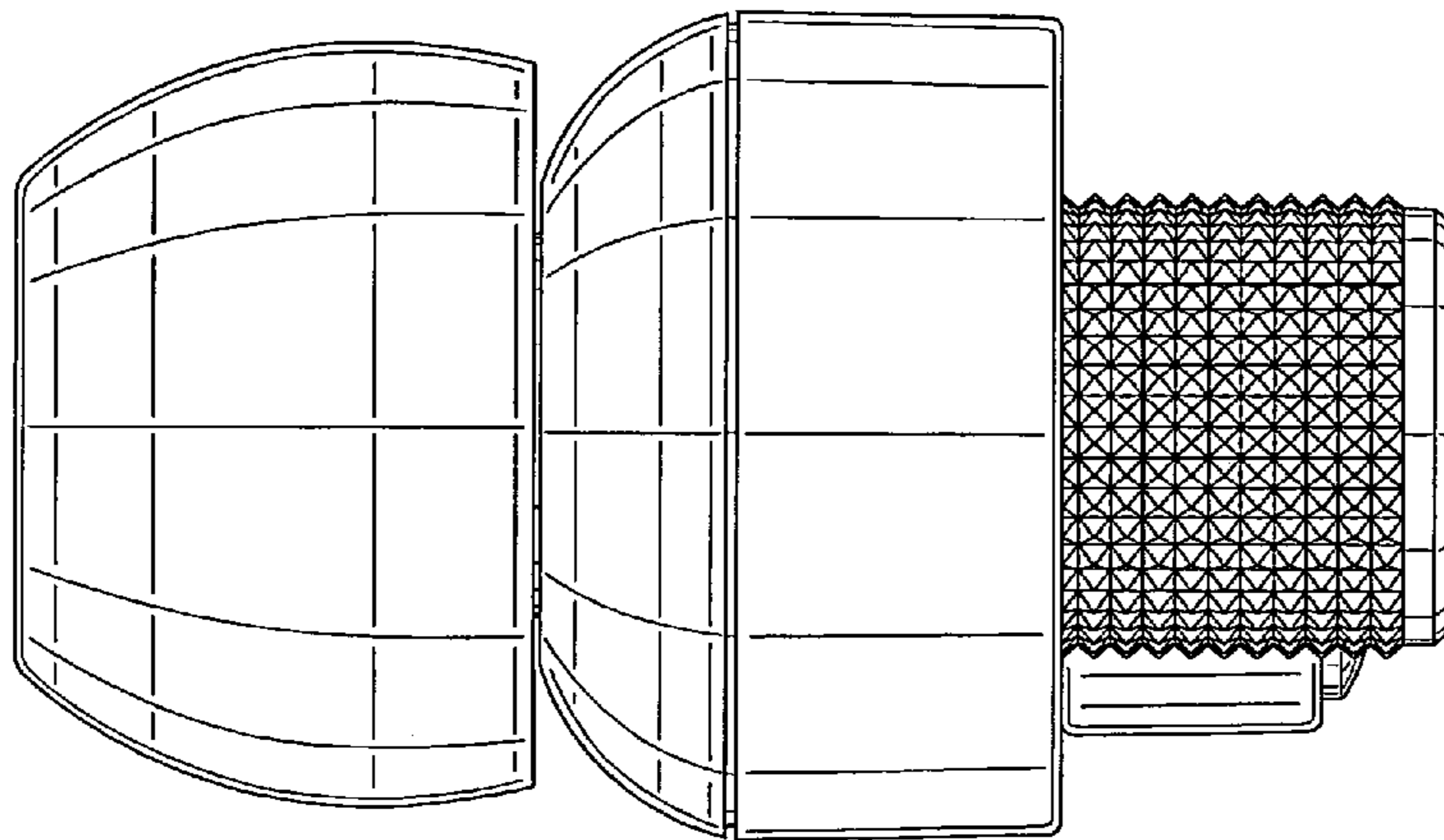


FIG.8

