



US00D667817S

(12) **United States Design Patent**
Otani

(10) **Patent No.:** **US D667,817 S**
(45) **Date of Patent:** **** Sep. 25, 2012**

(54) **COMBINED HEADPHONE, AUDIO PLAYER AND RECORDER**

(75) Inventor: **Yusuke Otani**, Tokyo (JP)

(73) Assignee: **Sony Corporation**, Tokyo (JP)

(**) Term: **14 Years**

(21) Appl. No.: **29/371,743**

(22) Filed: **Aug. 18, 2011**

(30) **Foreign Application Priority Data**

Feb. 18, 2011 (CN) 2011 3 0025880

(51) **LOC (9) Cl.** **14-01**

(52) **U.S. Cl.** **D14/223**

(58) **Field of Classification Search** D14/205,
D14/206, 223; 181/129, 130, 135; 379/430,
379/431, 433.01, 428.01; 381/380, 381,
381/370, 371, 374, 376, 378; 2/209, 423;
D24/174; 455/90.3, 569.1, 575.2; 29/112
See application file for complete search history.

(56) **References Cited**

U.S. PATENT DOCUMENTS

6,654,966 B2 * 12/2003 Rolla 2/209
6,728,388 B1 * 4/2004 Nageno et al. 381/381
6,922,476 B2 * 7/2005 Nassimi 381/380
D512,992 S 12/2005 Murakami
7,079,664 B2 * 7/2006 Nassimi 381/380

7,110,535 B2 * 9/2006 Bodley et al. 379/430
D538,268 S * 3/2007 Gibson et al. D14/223
D566,104 S 4/2008 Suzuki
D592,190 S * 5/2009 Birger D14/223
D601,548 S 10/2009 Morisawa
D603,378 S * 11/2009 Paradise D14/223
D604,272 S 11/2009 Kitayama
D604,722 S * 11/2009 Mistry D14/223
D619,539 S 7/2010 Komiyama
D635,547 S 4/2011 Komiyama
D636,381 S * 4/2011 Liner D14/223
D640,242 S * 6/2011 Fahrendorff et al. D14/223

* cited by examiner

Primary Examiner — Prabhakar Deshmukh

(74) *Attorney, Agent, or Firm* — Rader, Fishman & Grauer PLLC

(57) **CLAIM**

The ornamental design for a combined headphone, audio player and recorder, as shown and described.

DESCRIPTION

FIG. 1 is a perspective view of a combined headphone, audio player and recorder showing my new design;
FIG. 2 is a front elevational view thereof;
FIG. 3 is a rear elevational view thereof;
FIG. 4 is a left side elevational view thereof;
FIG. 5 is a right side elevational view thereof;
FIG. 6 is a top plan view thereof; and,
FIG. 7 is a bottom plan view thereof.
Portions in broken lines are for illustrative purposes only and form no part of claimed design.

1 Claim, 5 Drawing Sheets

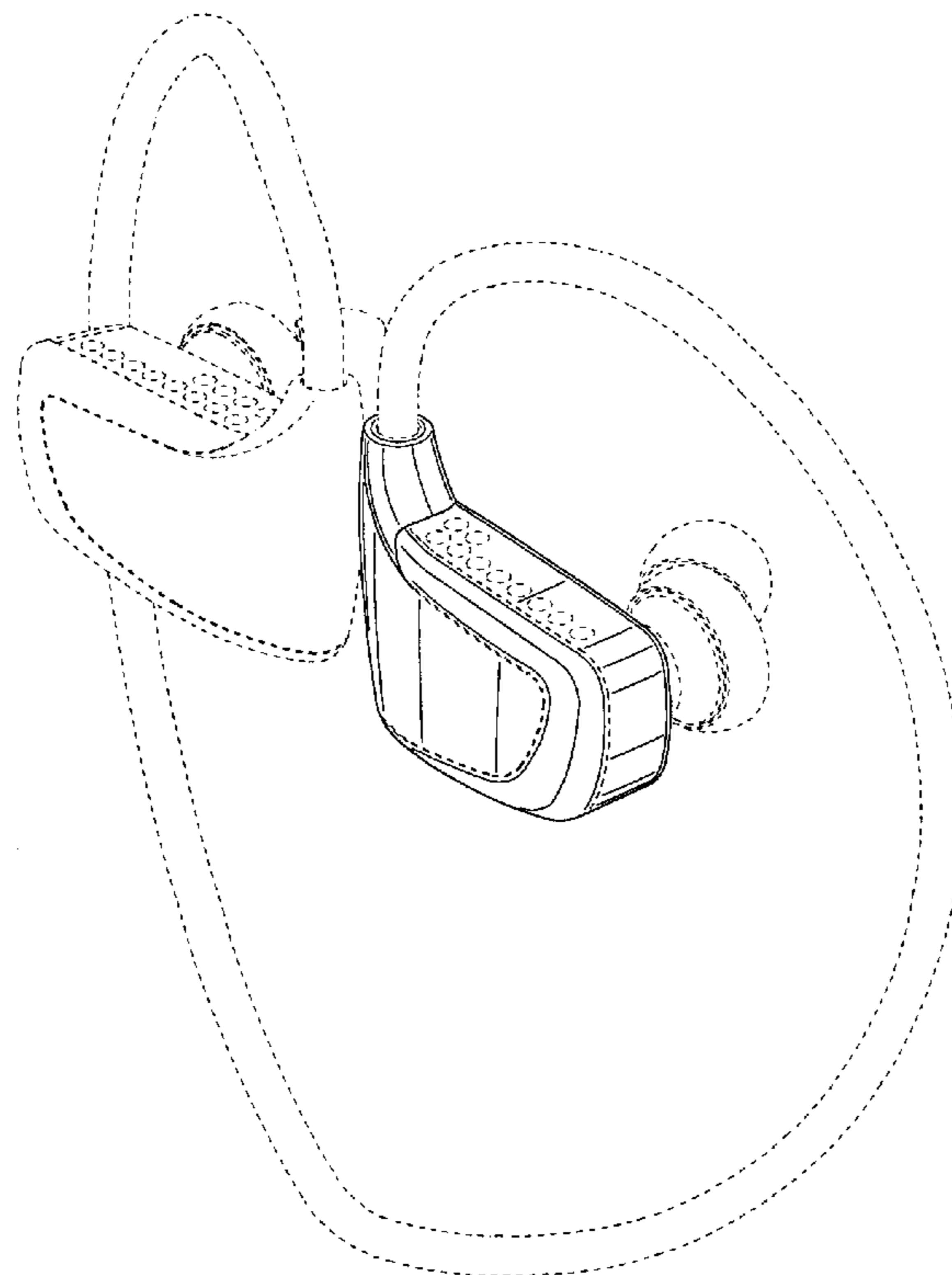


FIG. 1

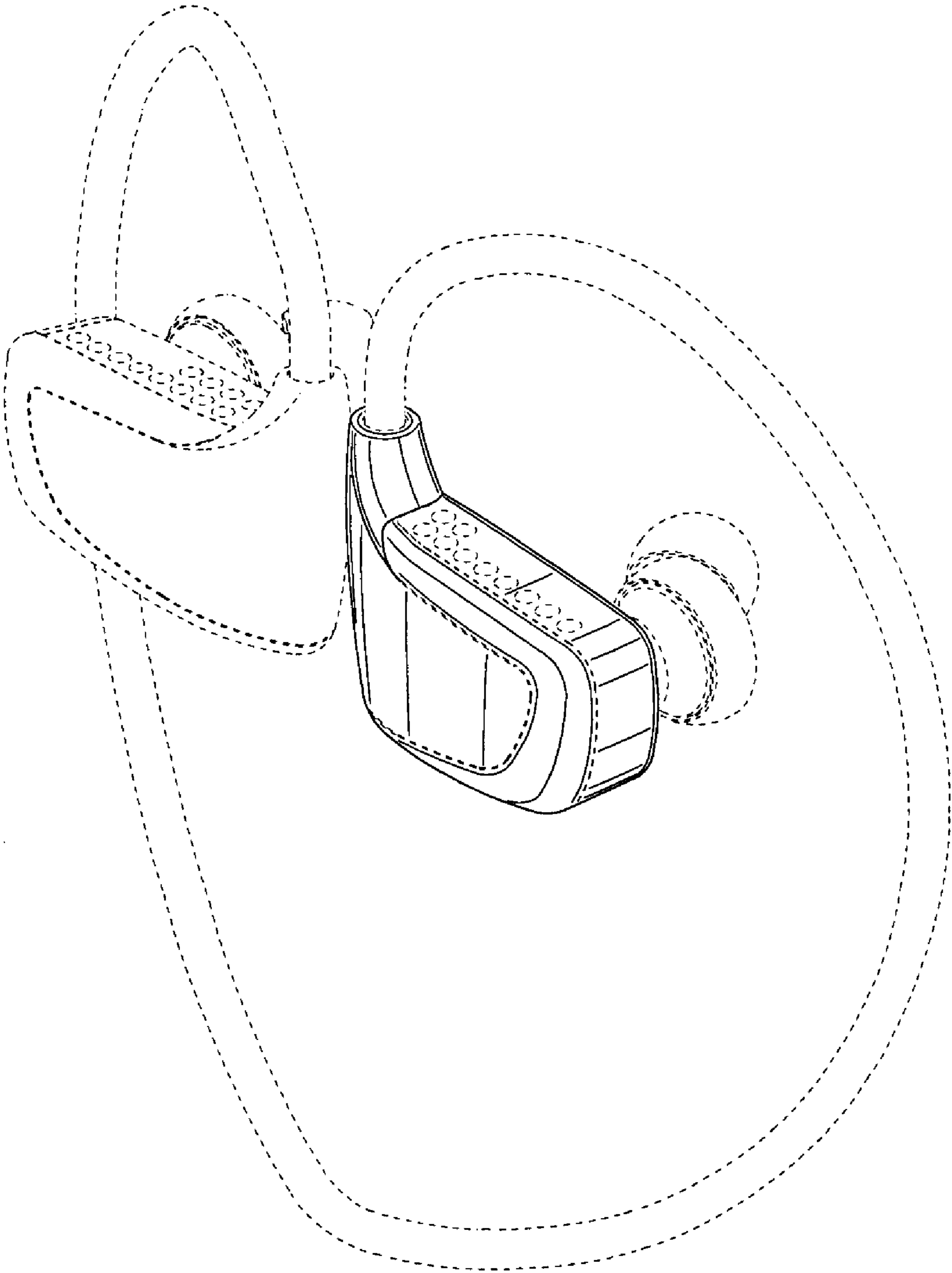


FIG.2

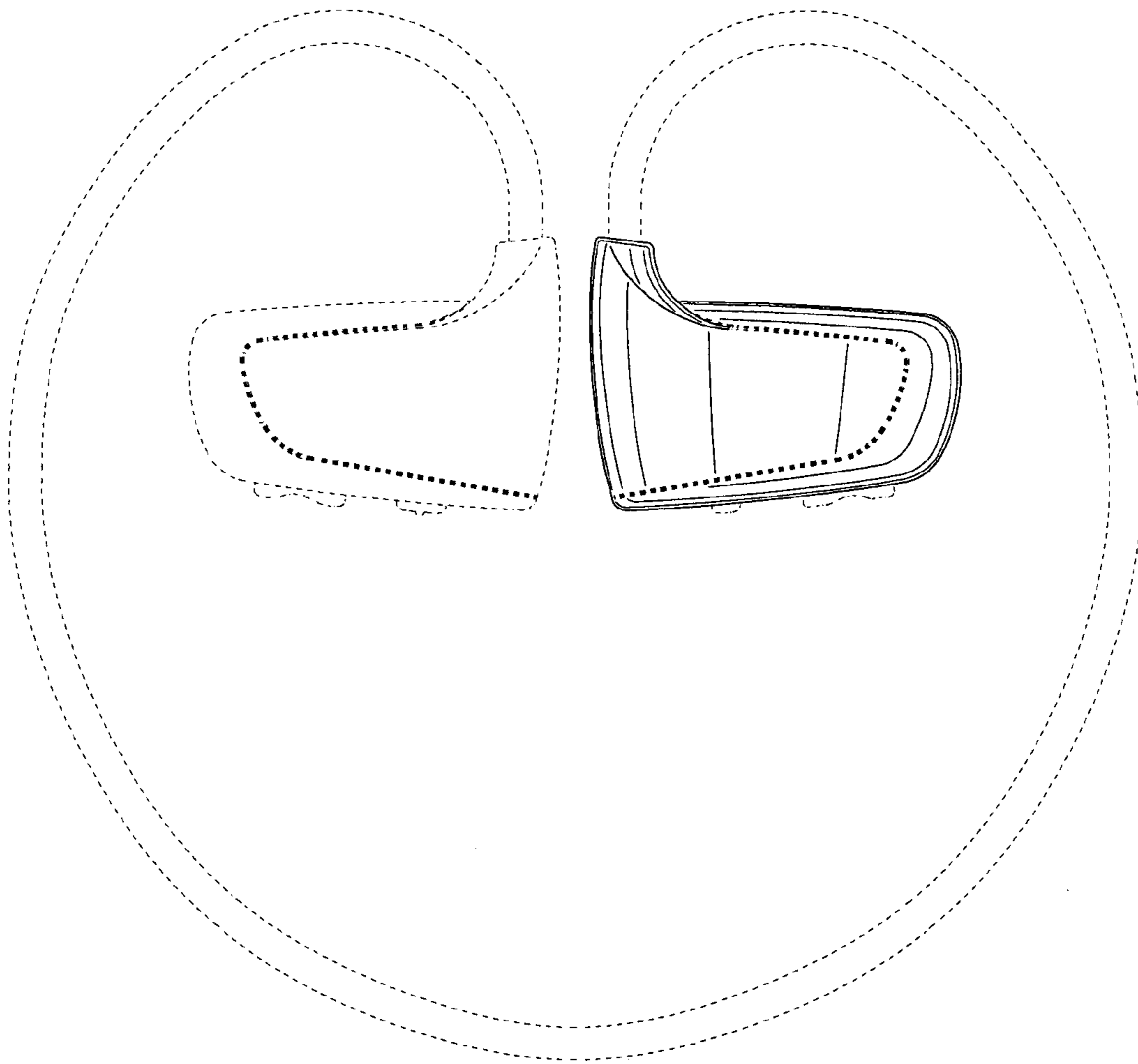


FIG.3

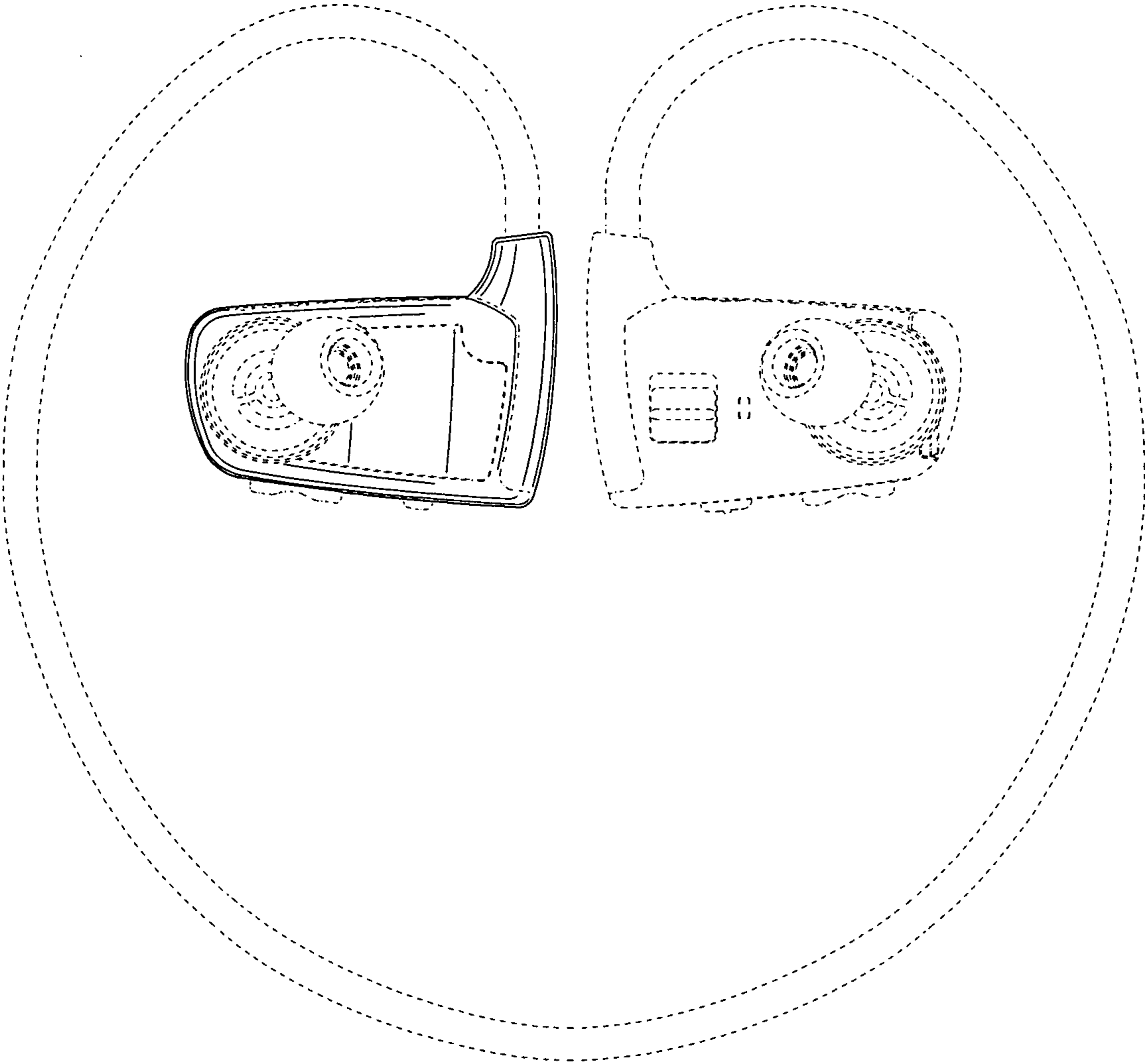


FIG.4

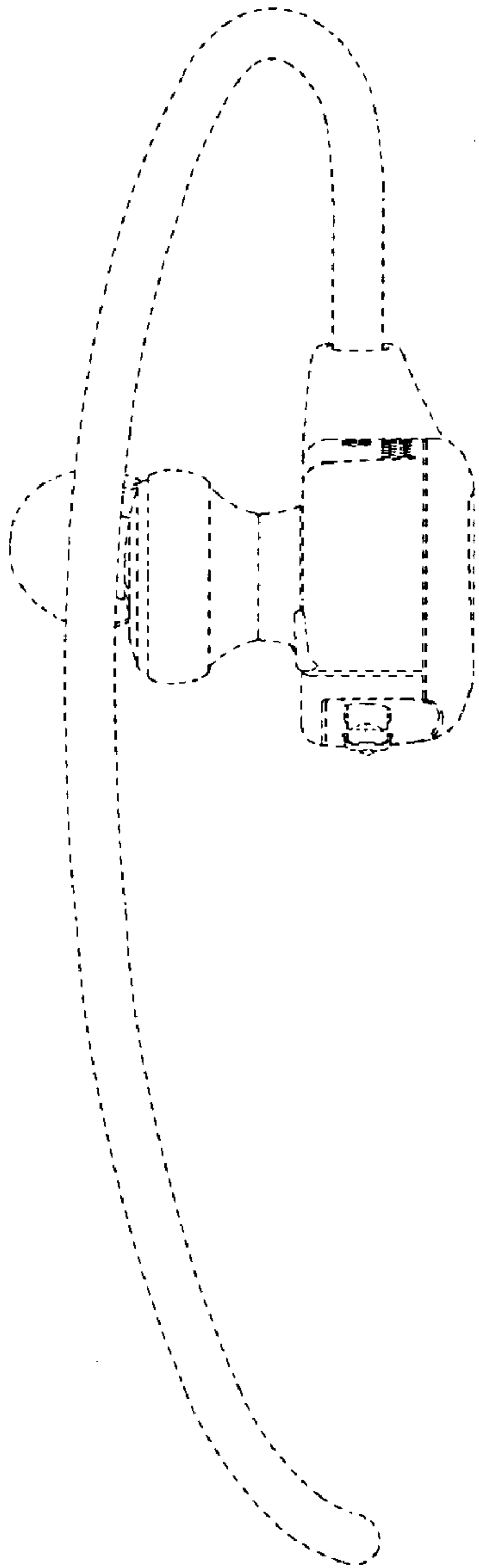


FIG.5

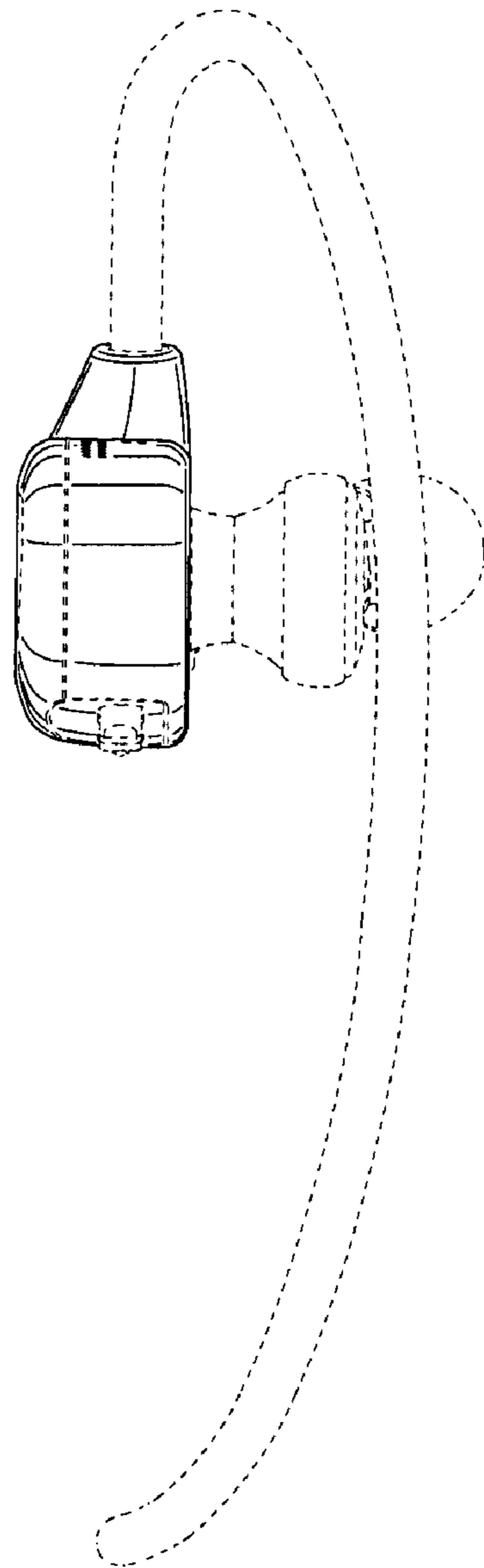


FIG.6

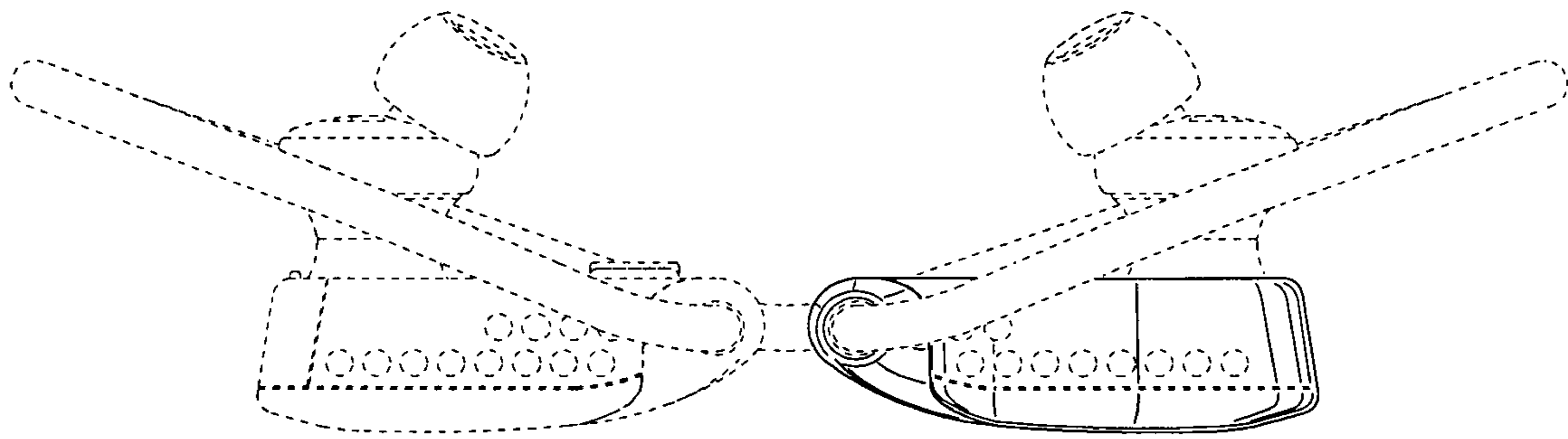


FIG.7

