



US00D667815S

(12) **United States Design Patent**
Chiu et al.

(10) **Patent No.:** **US D667,815 S**

(45) **Date of Patent:** **** Sep. 25, 2012**

(54) **HEADPHONE FOR MOBILE PHONE**

(75) Inventors: **Hsiao-Ping Chiu**, New Taipei (TW);
Hsueh-Tsen Tsai, New Taipei (TW);
Chia-Nai Tu, New Taipei (TW)

(73) Assignee: **Hon Hai Precision Industry Co., Ltd.**,
Tu-Cheng, New Taipei (TW)

(**) Term: **14 Years**

(21) Appl. No.: **29/406,251**

(22) Filed: **Nov. 11, 2011**

(51) **LOC (9) Cl.** **14-01**

(52) **U.S. Cl.** **D14/206**

(58) **Field of Classification Search** D14/205,
D14/206, 223; 181/129, 130, 135; 379/430,
379/431; 381/380, 381, 374, 367; 455/90.3,
455/575.2

See application file for complete search history.

(56) **References Cited**

U.S. PATENT DOCUMENTS

671,138	A *	4/1901	Knudson	181/130
1,852,130	A *	4/1932	Schier	381/380
3,041,856	A *	7/1962	Neal	63/14.1
3,440,365	A *	4/1969	Hazell et al.	379/430
3,965,544	A *	6/1976	Boden	24/136 R
D295,173	S *	4/1988	Oren	D14/168
D346,598	S *	5/1994	McCay et al.	D14/137
D348,067	S *	6/1994	Lucey et al.	D14/223
5,422,957	A *	6/1995	Cummins	381/384
D383,757	S *	9/1997	Dobrusskin et al.	D14/223
D403,681	S *	1/1999	Lam	D14/223
D478,901	S *	8/2003	Rath et al.	D14/223
D481,709	S *	11/2003	Solderits	D14/228

D482,022	S *	11/2003	Nakano	D14/223
D505,411	S *	5/2005	Sakai	D14/192
D514,095	S *	1/2006	Wilson et al.	D14/223
D542,280	S *	5/2007	Taylor	D14/218
7,356,362	B2 *	4/2008	Chang et al.	455/575.2
7,492,917	B2 *	2/2009	Ito	381/370
D601,126	S *	9/2009	Christopher et al.	D14/206
D625,709	S *	10/2010	Yamamoto	D14/223
D643,405	S *	8/2011	Rath	D14/206
D643,414	S *	8/2011	Lee et al.	D14/223
8,060,149	B1 *	11/2011	Louis et al.	455/569.1
8,073,189	B2 *	12/2011	Gering	382/100
8,111,862	B2 *	2/2012	Wu	381/381
8,208,672	B2 *	6/2012	Nageno et al.	381/374

* cited by examiner

Primary Examiner — Paula Greene

(74) *Attorney, Agent, or Firm* — Altis Law Group, Inc.

(57) **CLAIM**

The ornamental design for a headphone for mobile phone, as shown and described.

DESCRIPTION

FIG. 1 is a perspective view of a headphone for mobile phone showing our new design;

FIG. 2 is a front elevational view thereof;

FIG. 3 is a rear elevational view thereof;

FIG. 4 is a left side elevational view thereof;

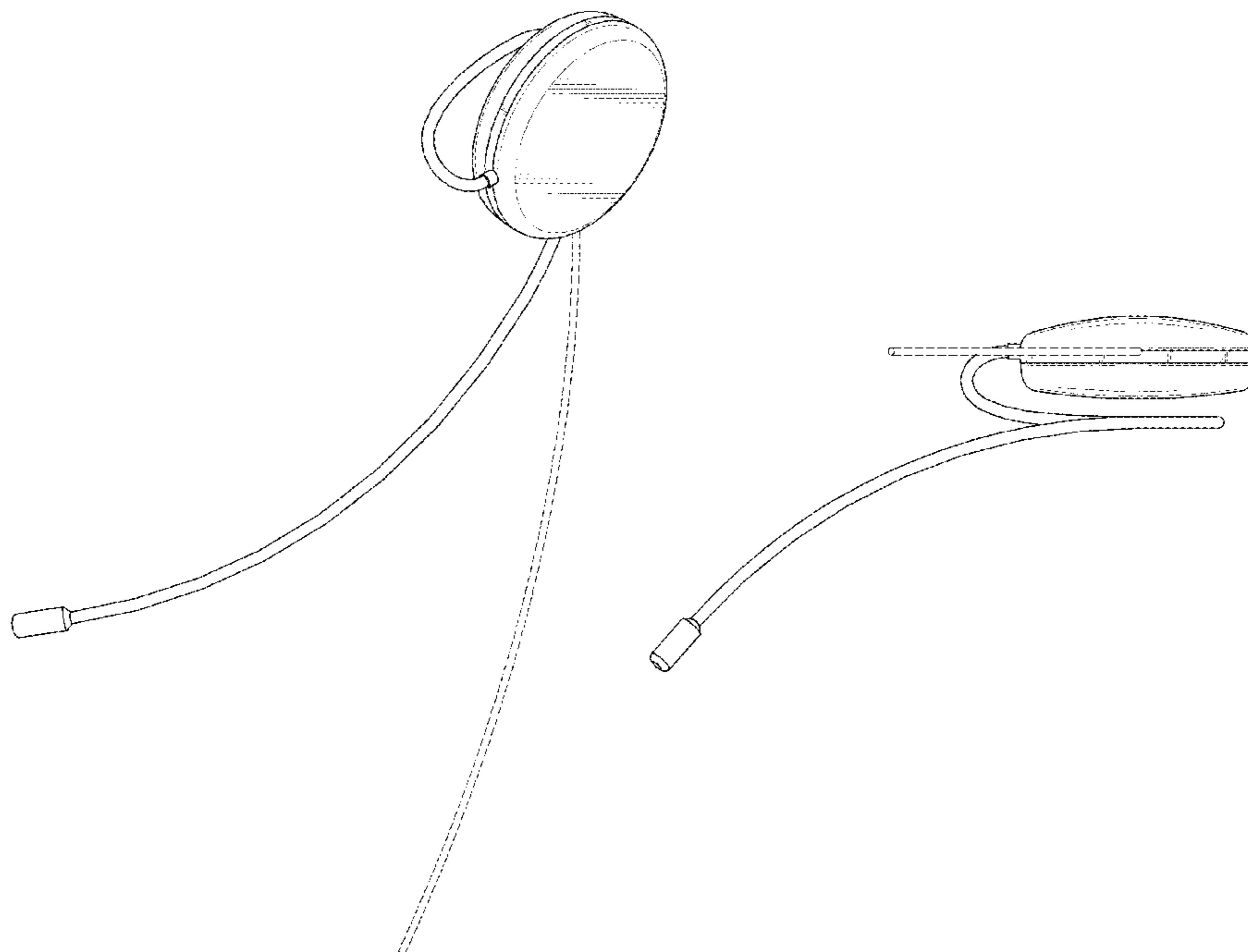
FIG. 5 is a right side elevational view thereof;

FIG. 6 is a top plan view thereof; and,

FIG. 7 is a bottom plan view thereof.

The broken lines of all the figures are for the purpose of illustrating environment and forms no part of the claimed design.

1 Claim, 7 Drawing Sheets



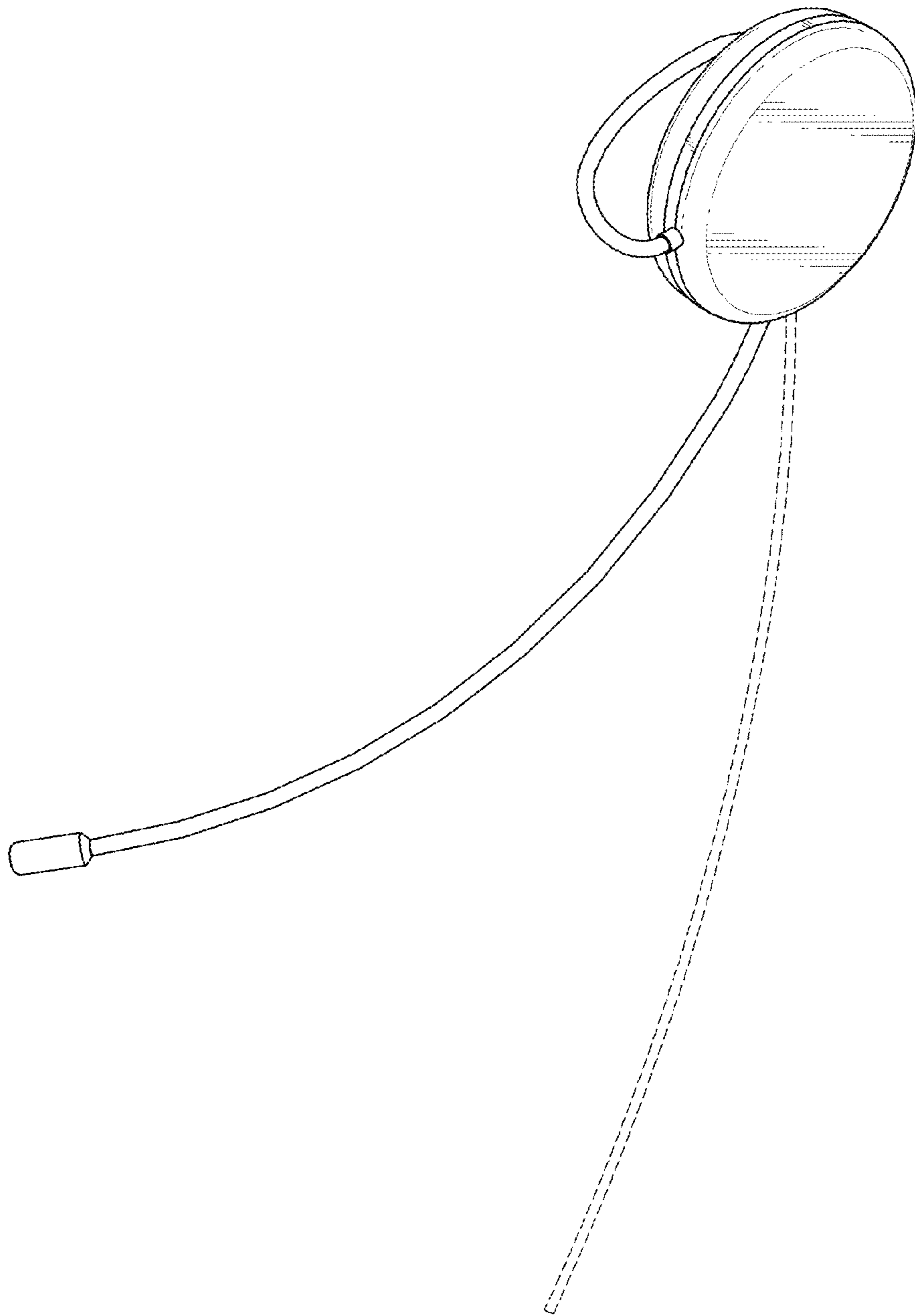


FIG. 1

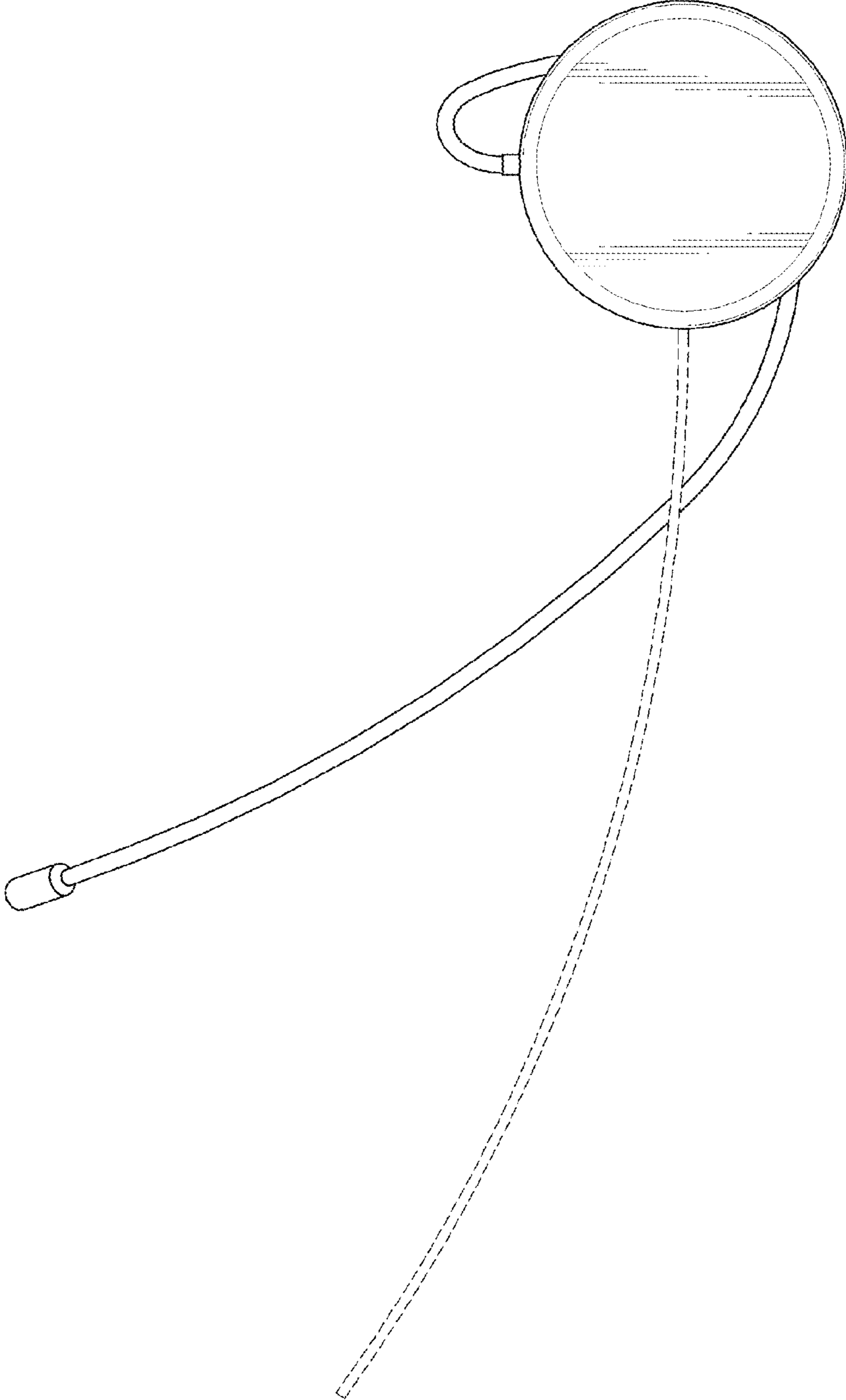


FIG. 2

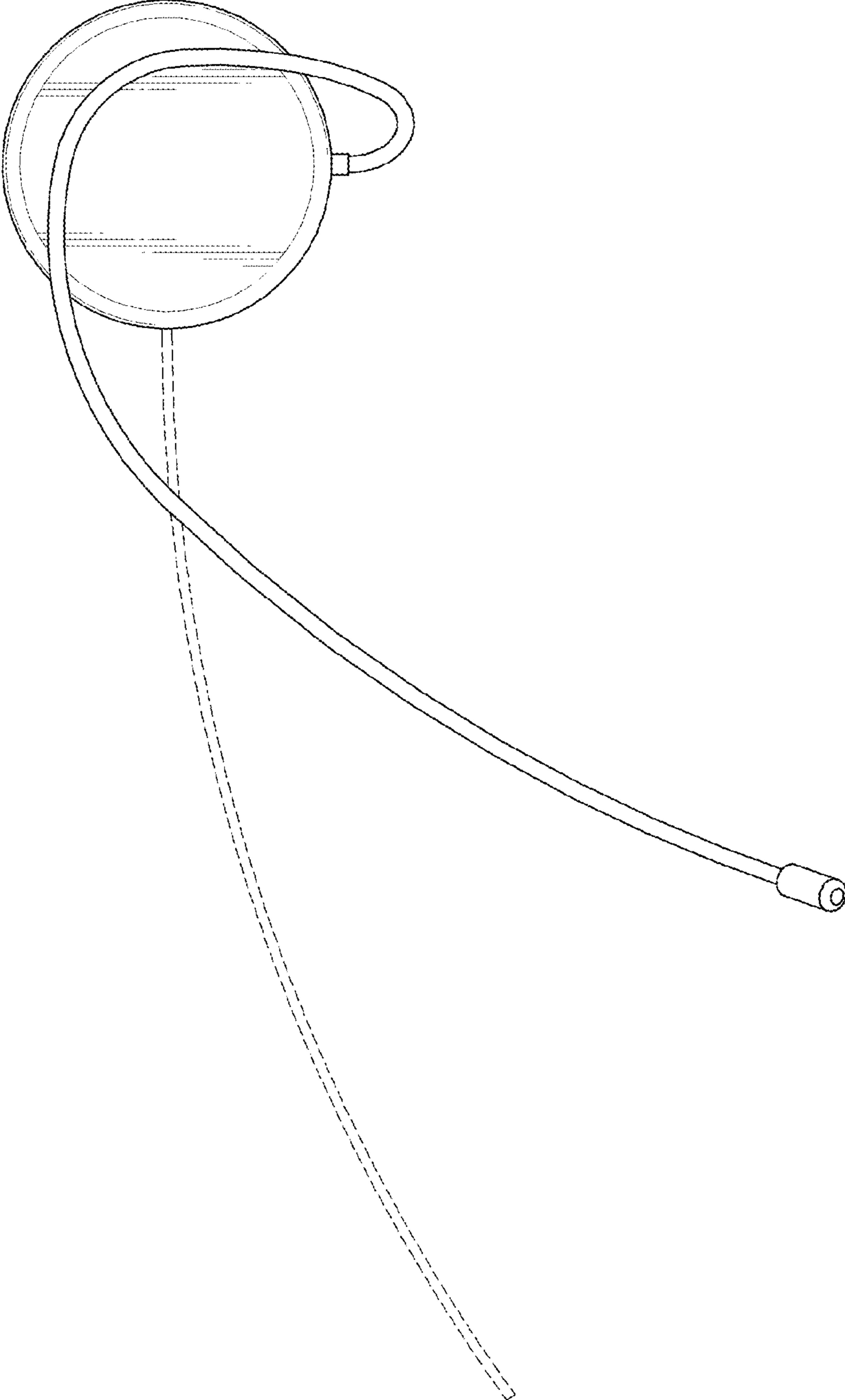


FIG. 3

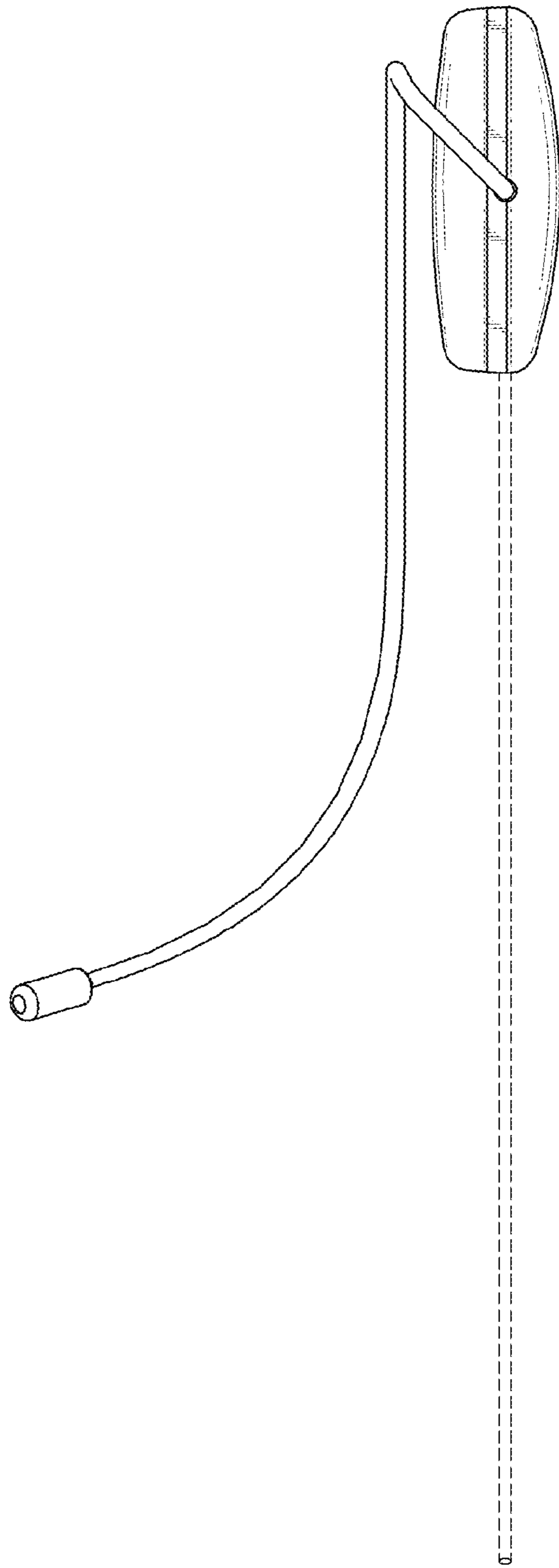


FIG. 4

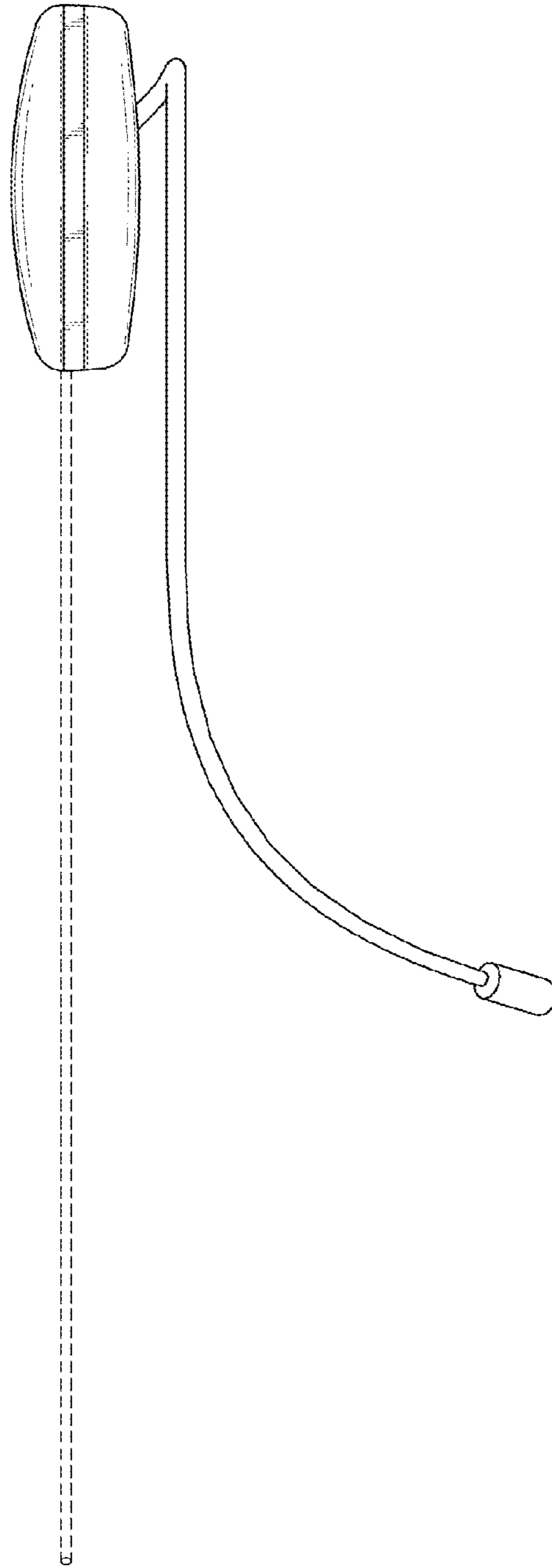


FIG. 5

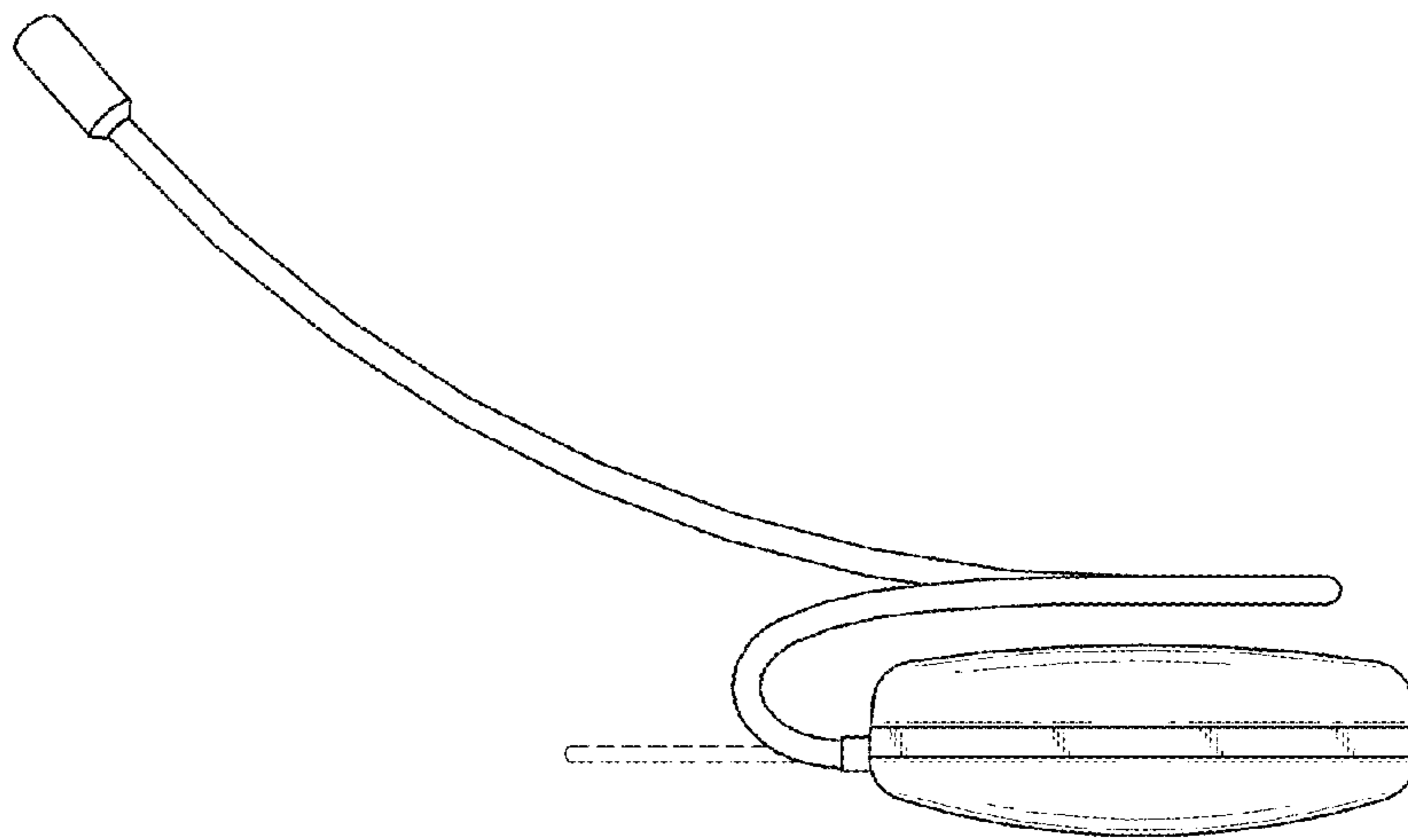


FIG. 6

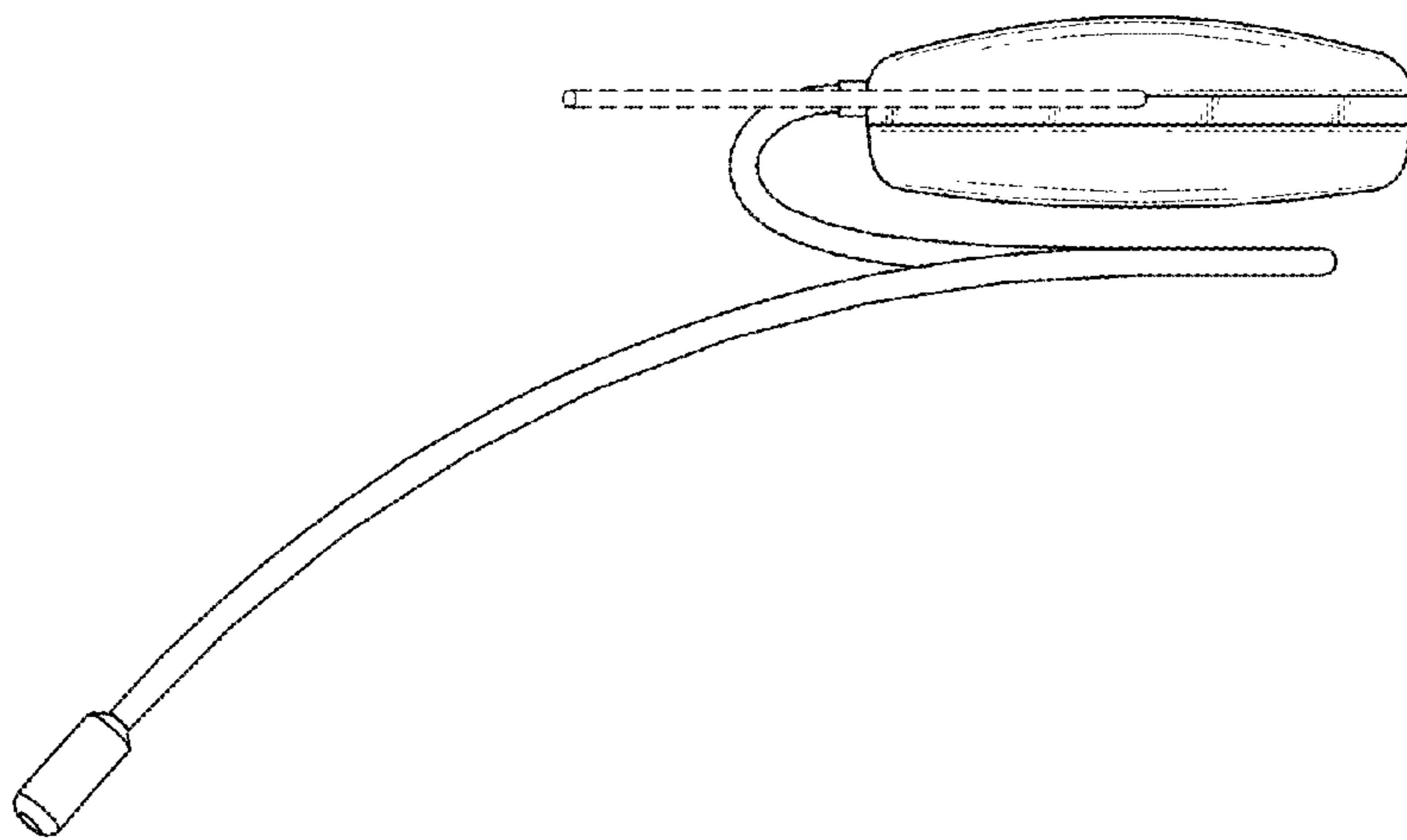


FIG. 7