

US00D667811S

(12) **United States Design Patent**
McGillivary et al.

(10) **Patent No.:** **US D667,811 S**
(45) **Date of Patent:** **** Sep. 25, 2012**

(54) **AMPLIFIER**

(75) Inventors: **James Mark McGillivary**, Portland, OR (US); **Rebecca Marianne McGillivary**, Portland, OR (US); **Jason Earl Sannar**, Live Oak, CA (US)

(73) Assignee: **Four Force LLC**, Santa Rosa, CA (US)

(**) Term: **14 Years**

(21) Appl. No.: **29/412,712**

(22) Filed: **Feb. 7, 2012**

(51) **LOC (9) Cl.** **14-03**

(52) **U.S. Cl.** **D14/196**

(58) **Field of Classification Search** D14/168, D14/169, 175, 188, 194, 196-198, 217, 257, D14/258, 265; 455/344-351; 330/1 R, 3, 330/4, 250; 381/86, 120

See application file for complete search history.

(56) **References Cited**

U.S. PATENT DOCUMENTS

D237,089 S *	10/1975	Walker	D14/196
D409,194 S *	5/1999	Ridinger	D14/188
D478,564 S *	8/2003	Rizzi	D14/188
D495,012 S *	8/2004	Morimoto	D14/188

D581,902 S *	12/2008	Morimoto	D14/214
D614,201 S *	4/2010	Strauser	D14/497
D636,374 S *	4/2011	Smith	D14/188

* cited by examiner

Primary Examiner — Keli L Hill

(74) *Attorney, Agent, or Firm* — Neustel Law Offices

(57) **CLAIM**

The ornamental design for an amplifier, as shown and described.

DESCRIPTION

FIG. 1 is a front upper perspective view of an amplifier showing my new design.

FIG. 2 is a rear upper perspective view of an amplifier showing my new design.

FIG. 3 is a front view of an amplifier showing my new design.

FIG. 4 is a rear view of an amplifier showing my new design.

FIG. 5 is a left side view of an amplifier showing my new design.

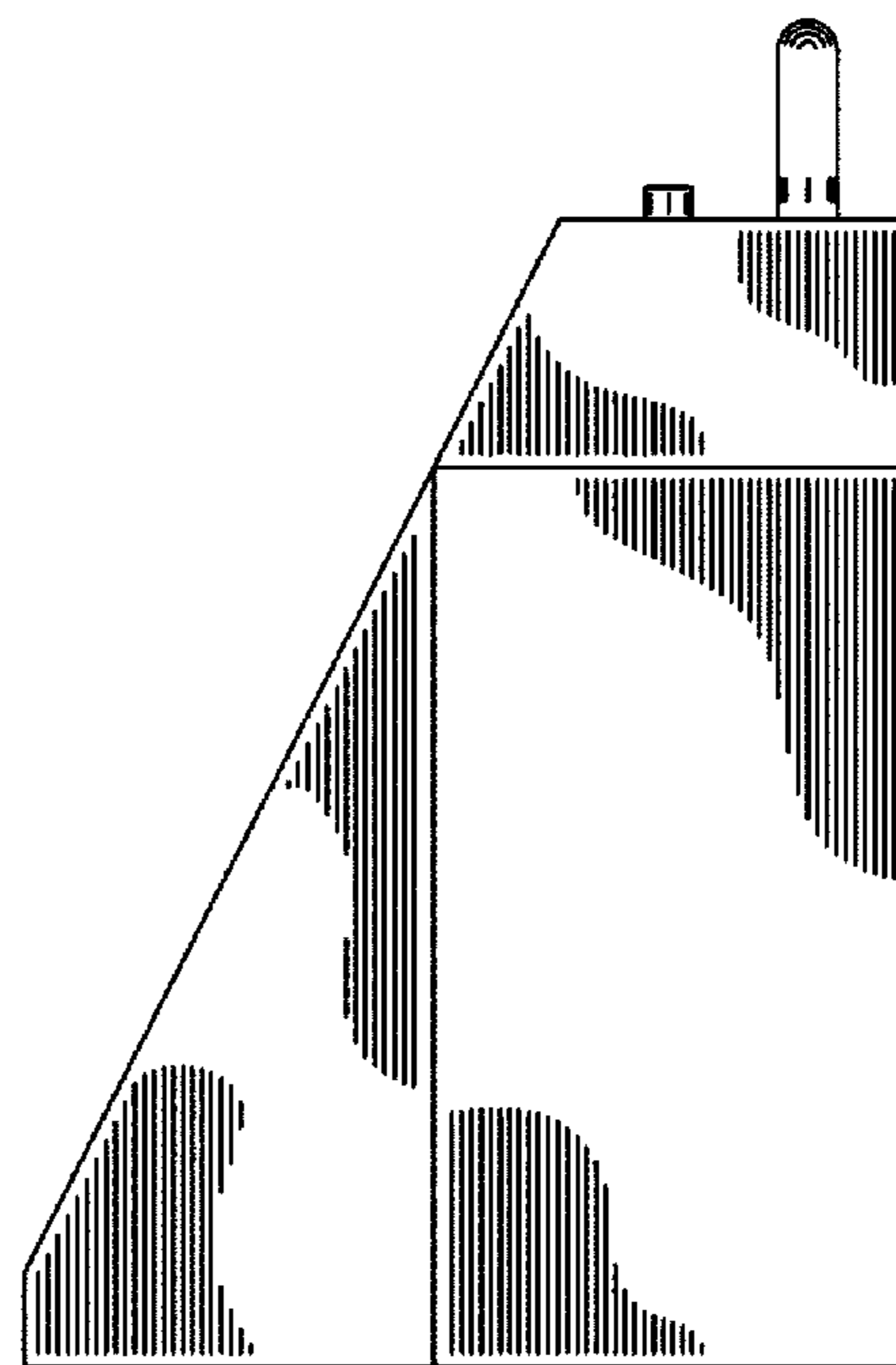
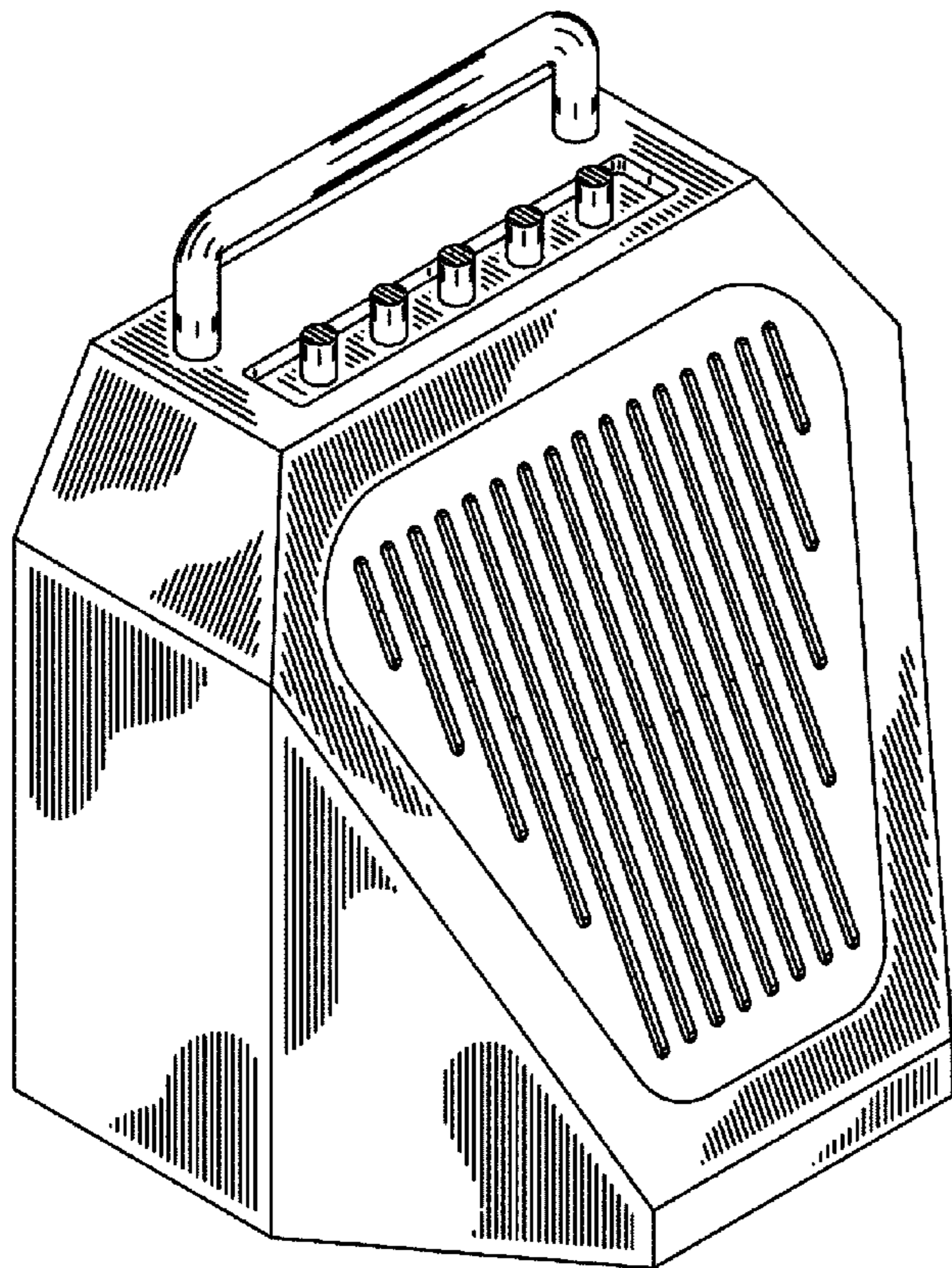
FIG. 6 is a right side view of an amplifier showing my new design.

FIG. 7 is a bottom view of an amplifier showing my new design; and,

FIG. 8 is a top view of an amplifier showing my new design.

Any shading and cross-hatching are not features of the design but are utilized to illustrate the surface contours of the amplifier in the drawings.

1 Claim, 8 Drawing Sheets



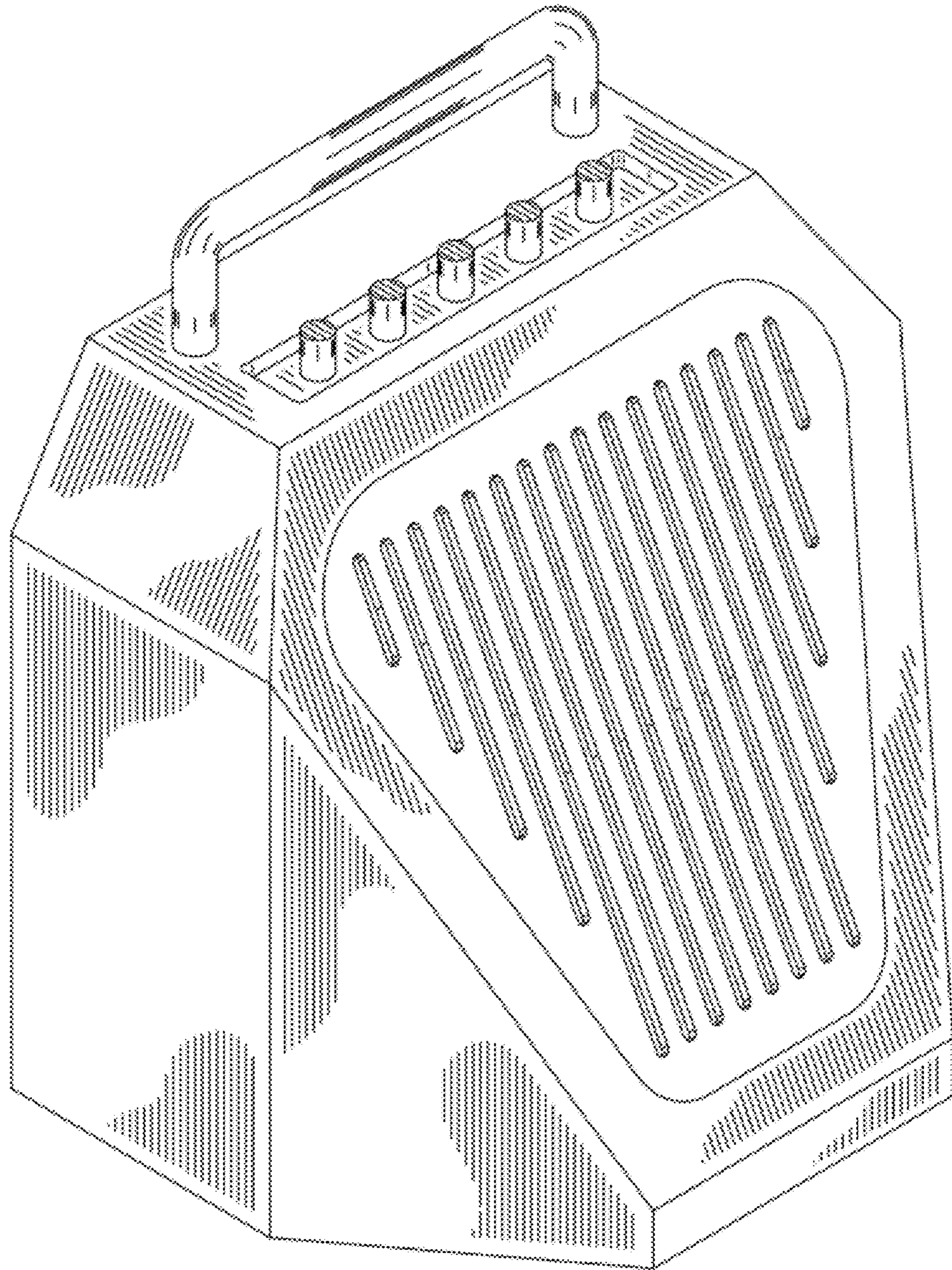


FIG. 1

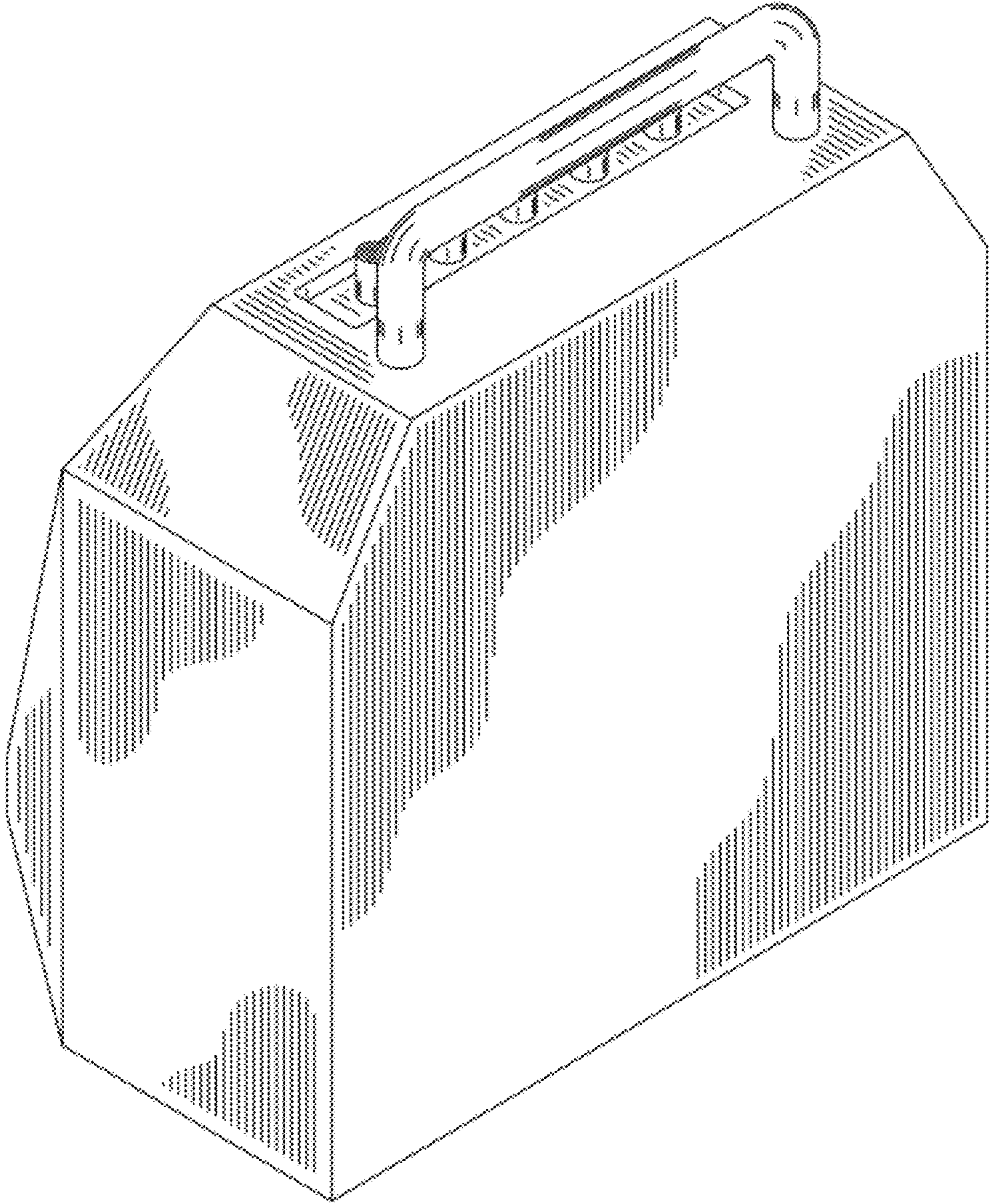


FIG. 2

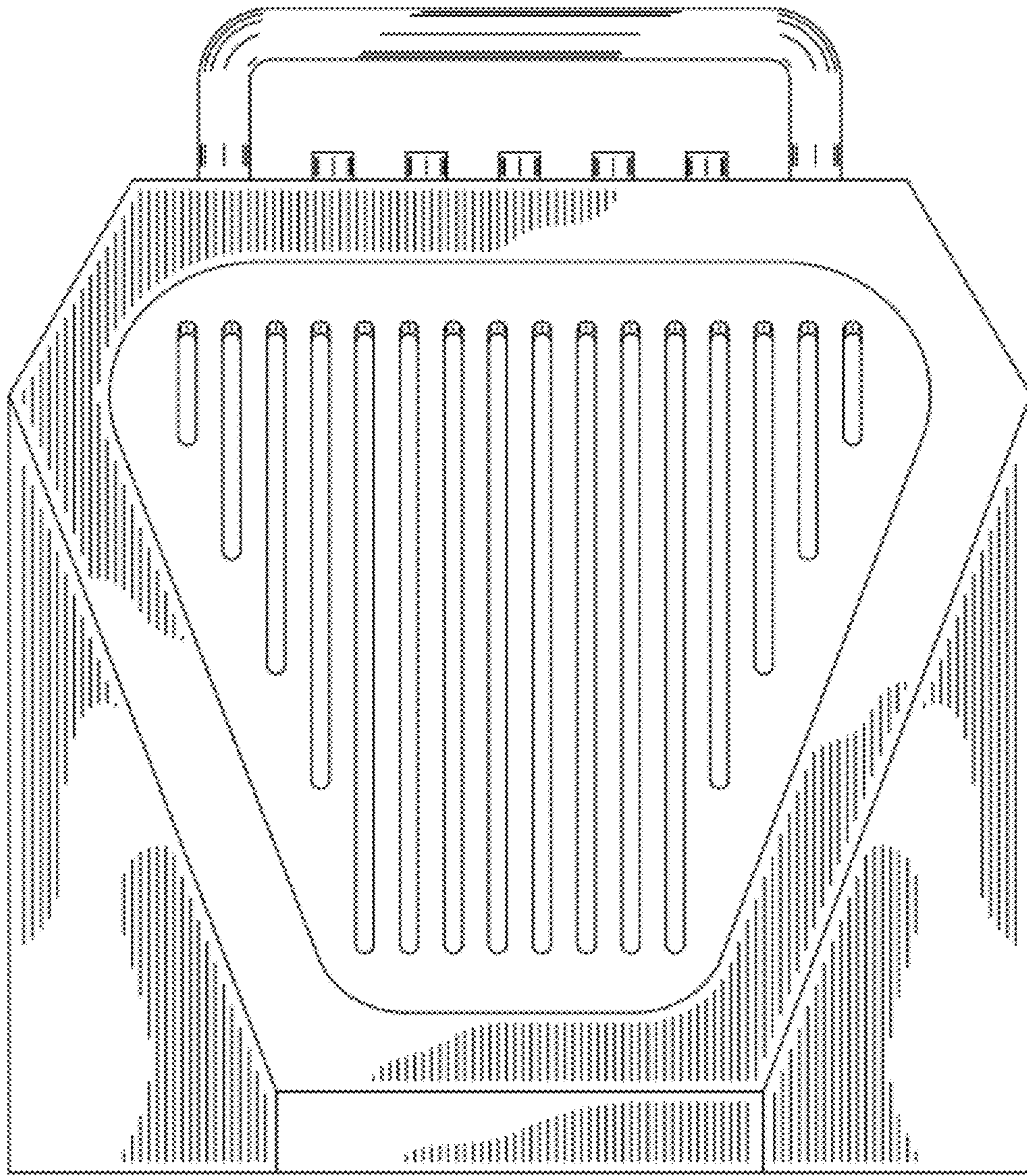


FIG. 3

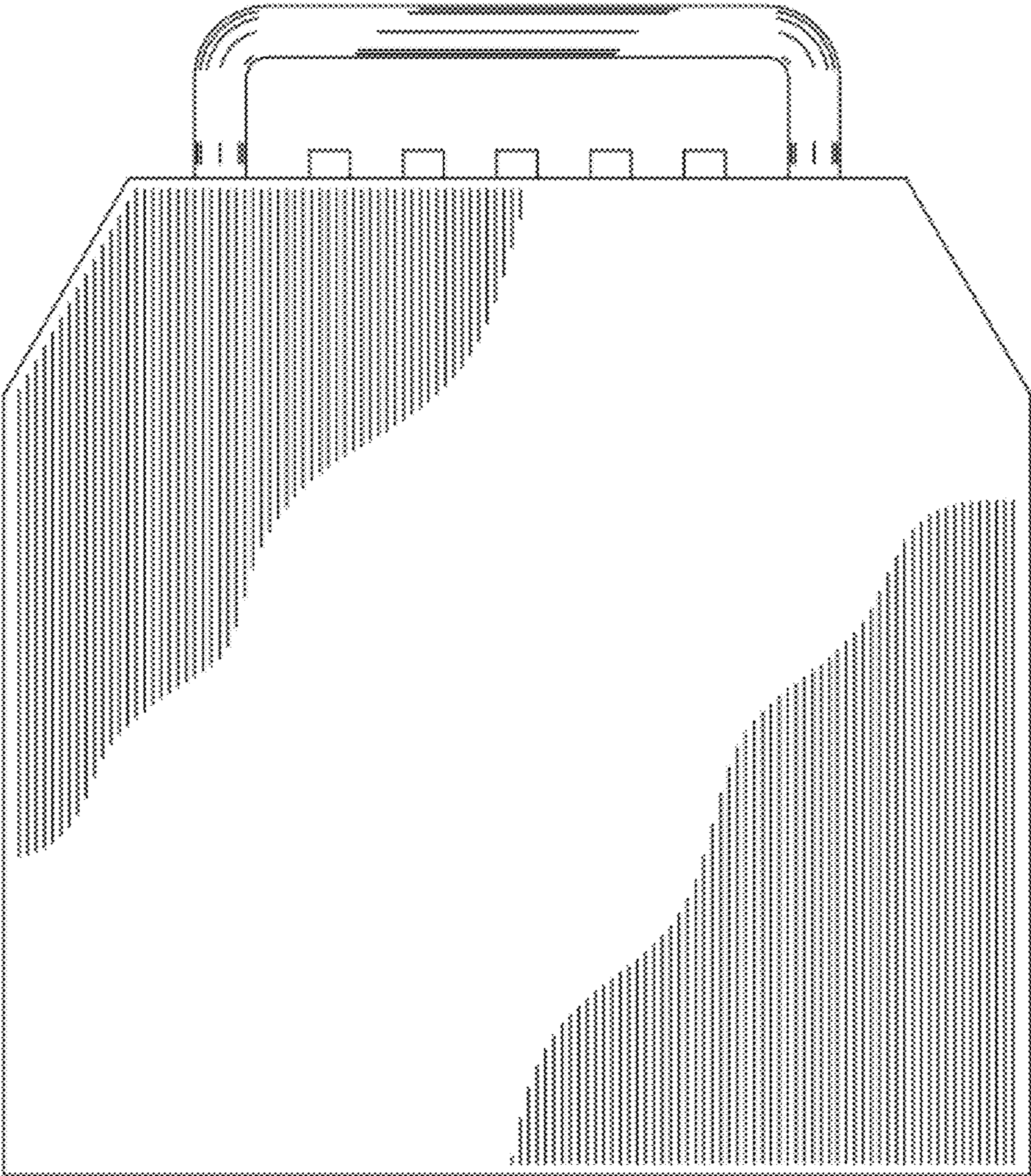


FIG. 4

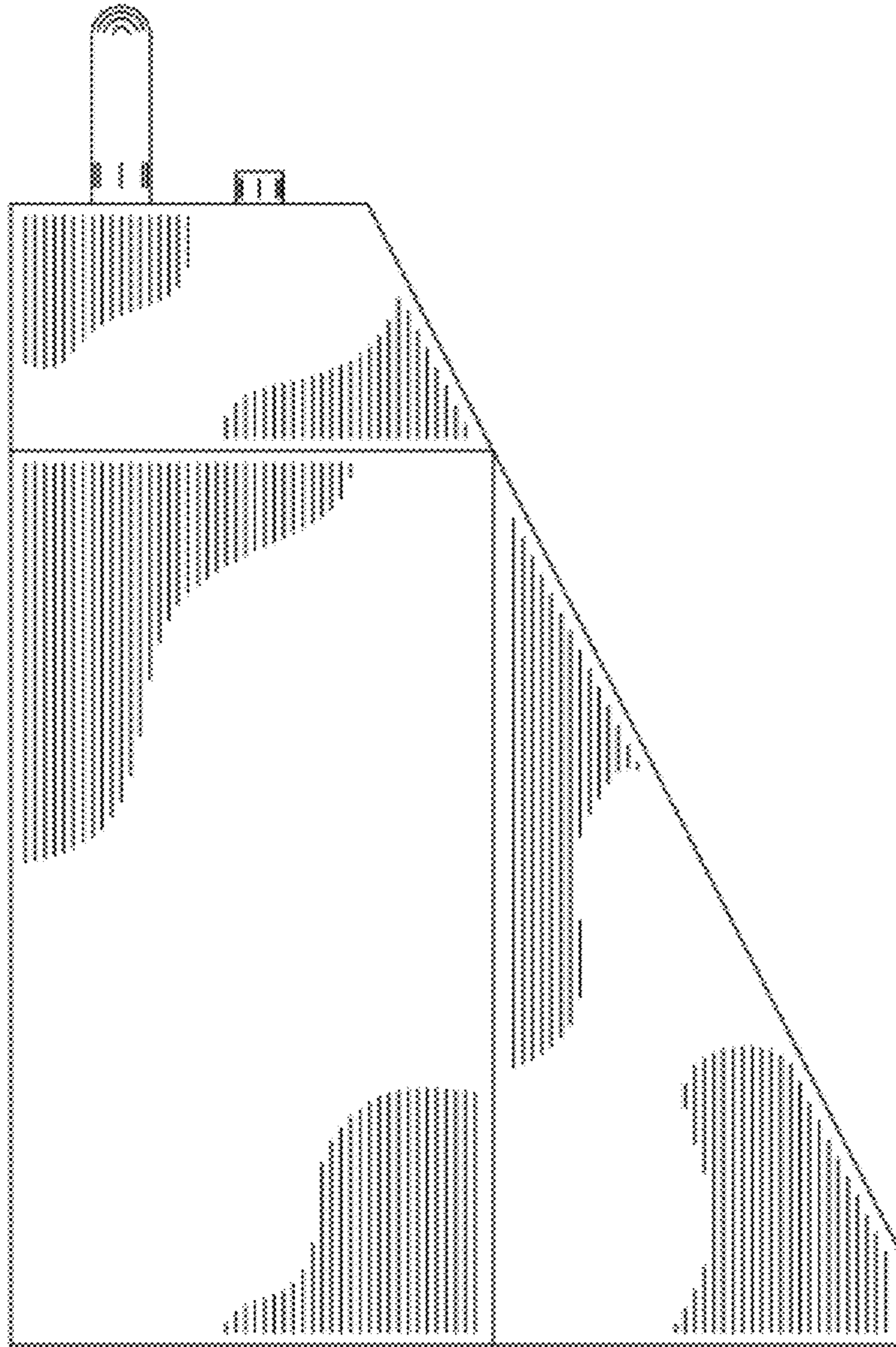


FIG. 5

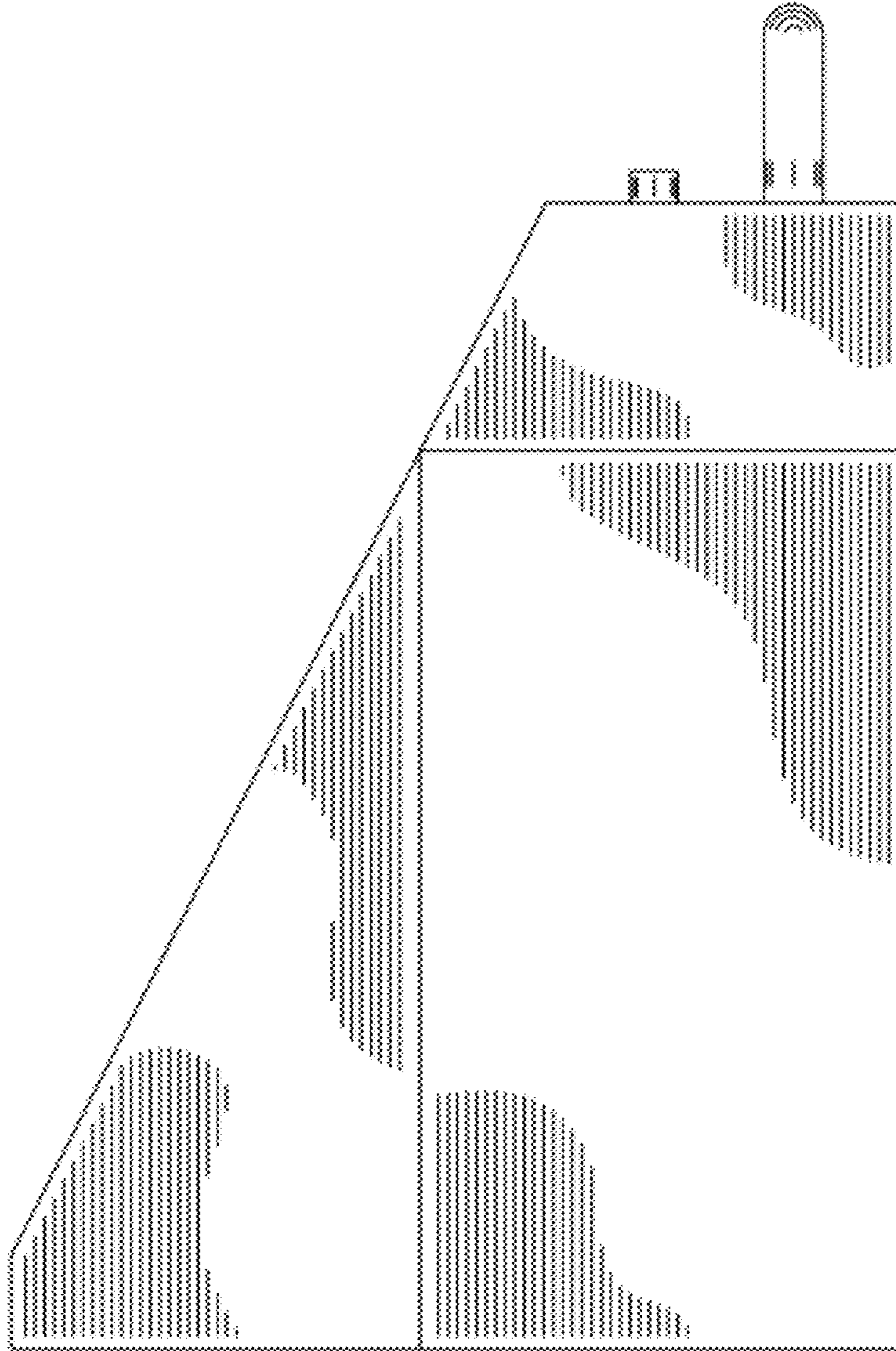


FIG. 6

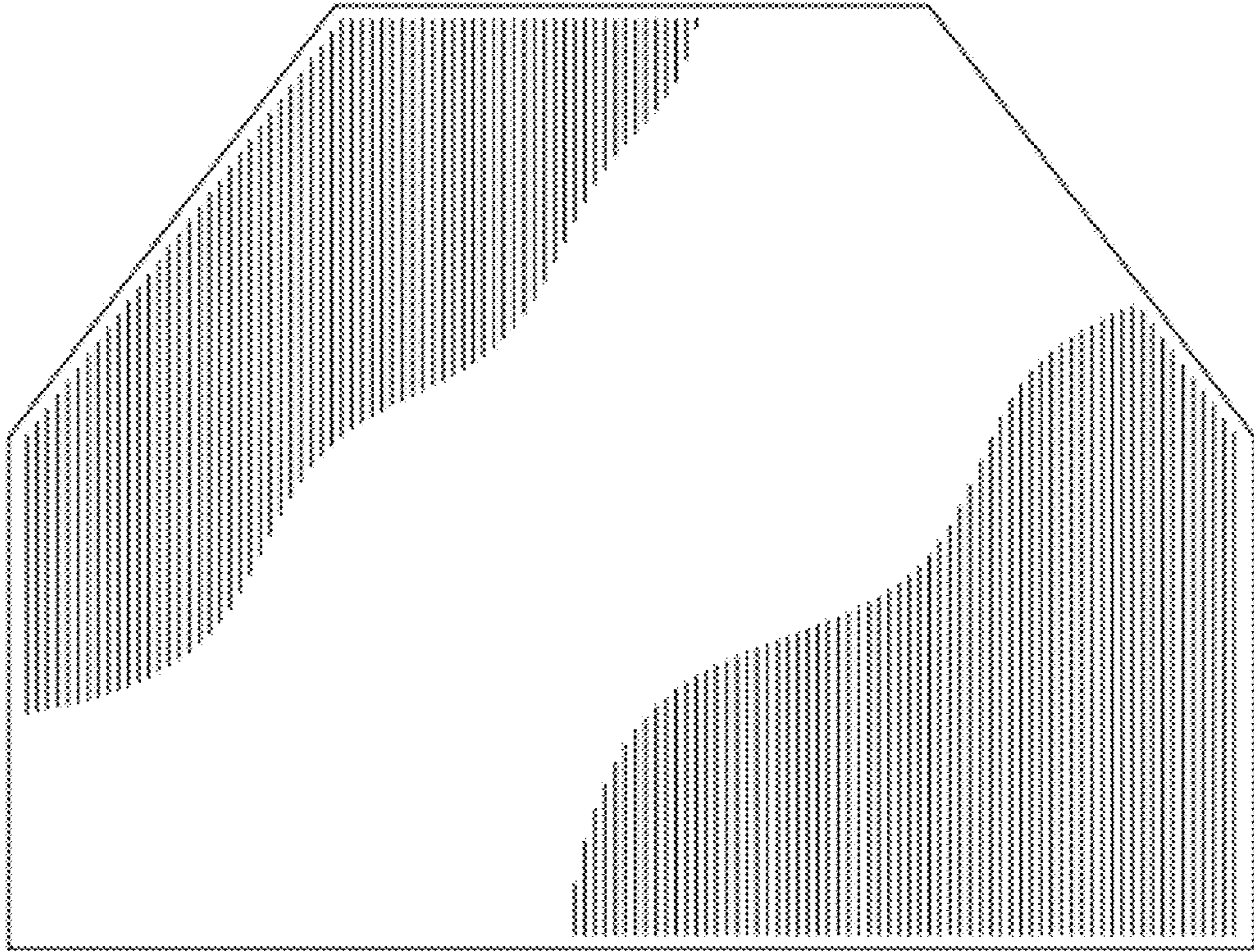


FIG. 7

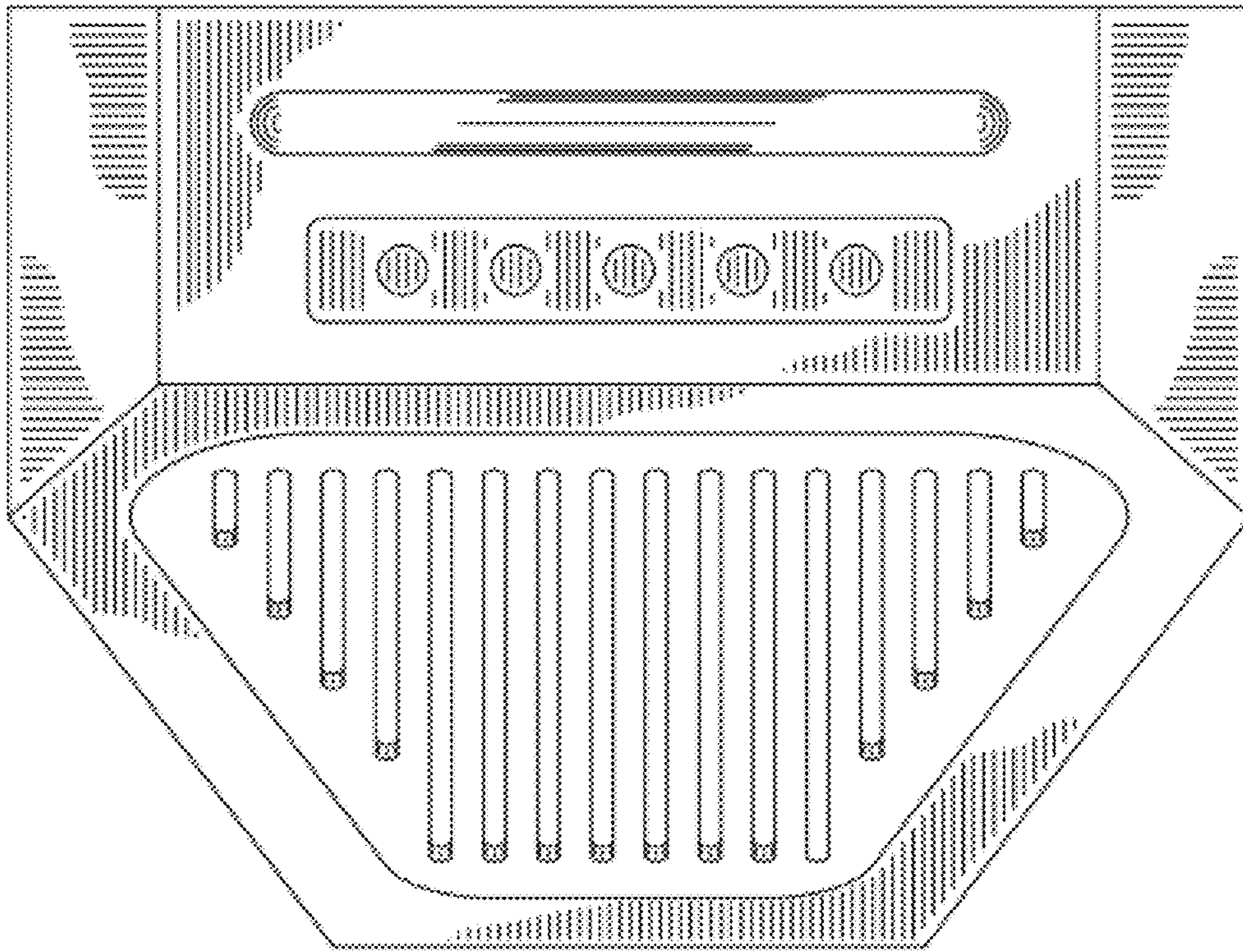


FIG. 8