

US00D667805S

(12) **United States Design Patent**  
**Kim**

(10) **Patent No.:** **US D667,805 S**

(45) **Date of Patent:** **\*\* Sep. 25, 2012**

(54) **LCD MONITOR**

(75) Inventor: **Mi Kyung Kim**, Seoul (KR)

(73) Assignee: **LG Electronics Inc.**, Seoul (KR)

(\*\*) Term: **14 Years**

(21) Appl. No.: **29/378,287**

(22) Filed: **Nov. 2, 2010**

(30) **Foreign Application Priority Data**

May 3, 2010 (KR) ..... 30-2010-0019668

(51) **LOC (9) Cl.** ..... **14-03**

(52) **U.S. Cl.** ..... **D14/126**

(58) **Field of Classification Search** ..... D14/125-134,  
D14/239, 371, 136, 374-377, 440, 450, 448,  
D14/336, 342; 312/7.2; 348/836, 838, 180,  
348/184, 325, 739; 341/12; 248/917-924,  
248/465; 345/104, 133, 156, 168, 87, 173;  
720/605, 669, 600, 655; 369/99, 197; D21/329,  
D21/515, 577, 622, 333, 433, 448, 452, 450,  
D21/331; D6/477, 479, 300; 273/148 B;  
446/484, 175, 356; D10/15, 26

See application file for complete search history.

(56) **References Cited**

U.S. PATENT DOCUMENTS

D584,705	S	*	1/2009	Shimamoto	.....	D14/126
D605,149	S	*	12/2009	Kim et al.	.....	D14/126
D618,188	S	*	6/2010	Tsai	.....	D14/126
D625,278	S	*	10/2010	Kim et al.	.....	D14/126
D631,860	S	*	2/2011	Chai et al.	.....	D14/126
D636,358	S	*	4/2011	Kim et al.	.....	D14/126
D642,146	S	*	7/2011	Park et al.	.....	D14/126
D648,295	S	*	11/2011	Jung et al.	.....	D14/126
D649,947	S	*	12/2011	Won et al.	.....	D14/126
D656,117	S	*	3/2012	Won et al.	.....	D14/126

\* cited by examiner

*Primary Examiner* — Raphael Barkai

(74) *Attorney, Agent, or Firm* — Morgan, Lewis & Bockius LLP

(57) **CLAIM**

I claim the ornamental design for a LCD monitor, as shown and described.

**DESCRIPTION**

FIG. 1 is a perspective view of a LCD monitor showing my new design;  
FIG. 2 is a front elevation view thereof;  
FIG. 3 is a rear elevation view thereof;  
FIG. 4 is a left-side elevation view thereof;  
FIG. 5 is a right-side elevation view thereof;  
FIG. 6 is a top plan view thereof;  
FIG. 7 is a bottom plan view thereof; and,  
FIG. 8 is a front elevation view wherein the transparent portion is shaded with dots.

**1 Claim, 5 Drawing Sheets**

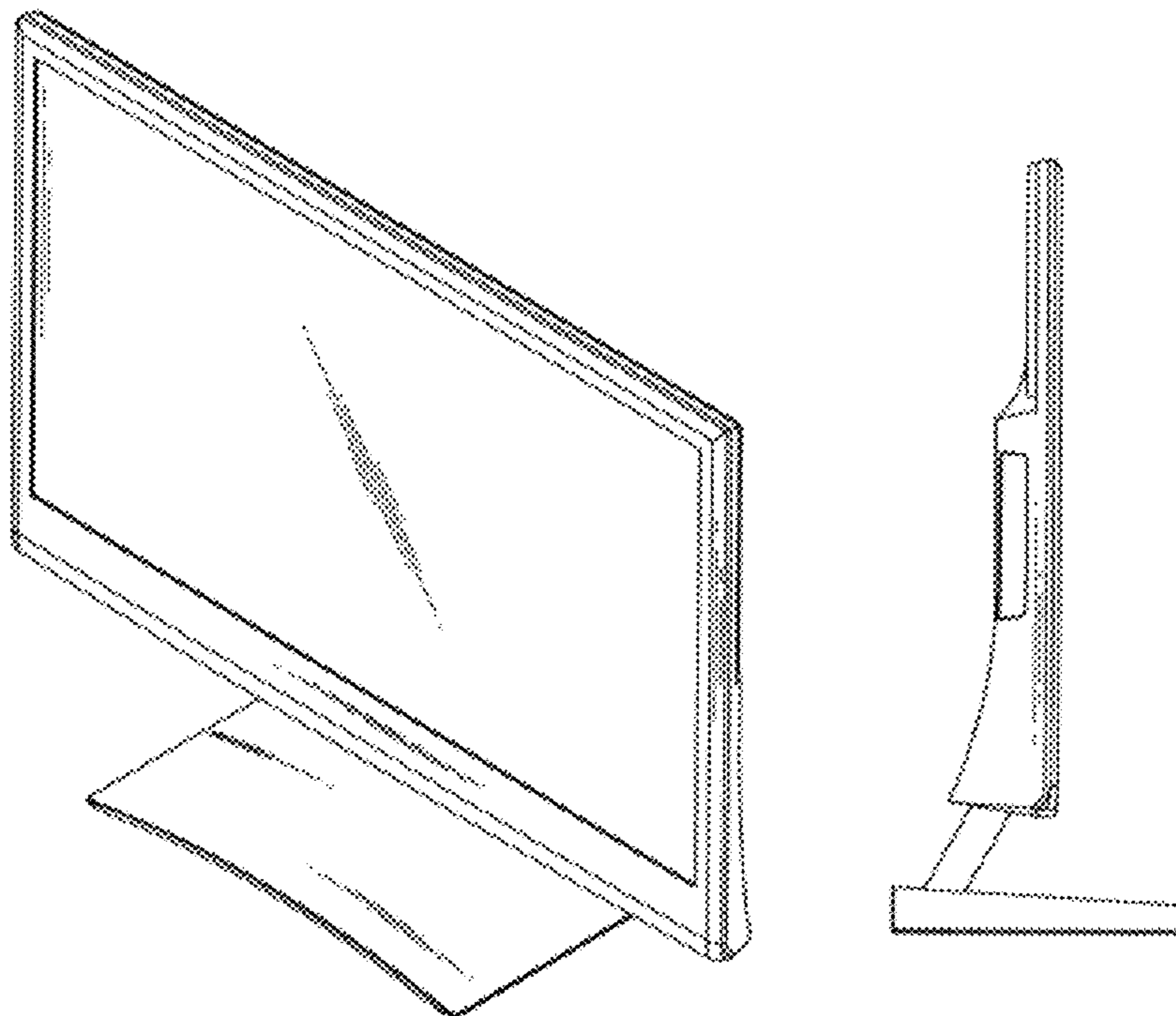


FIG. 1

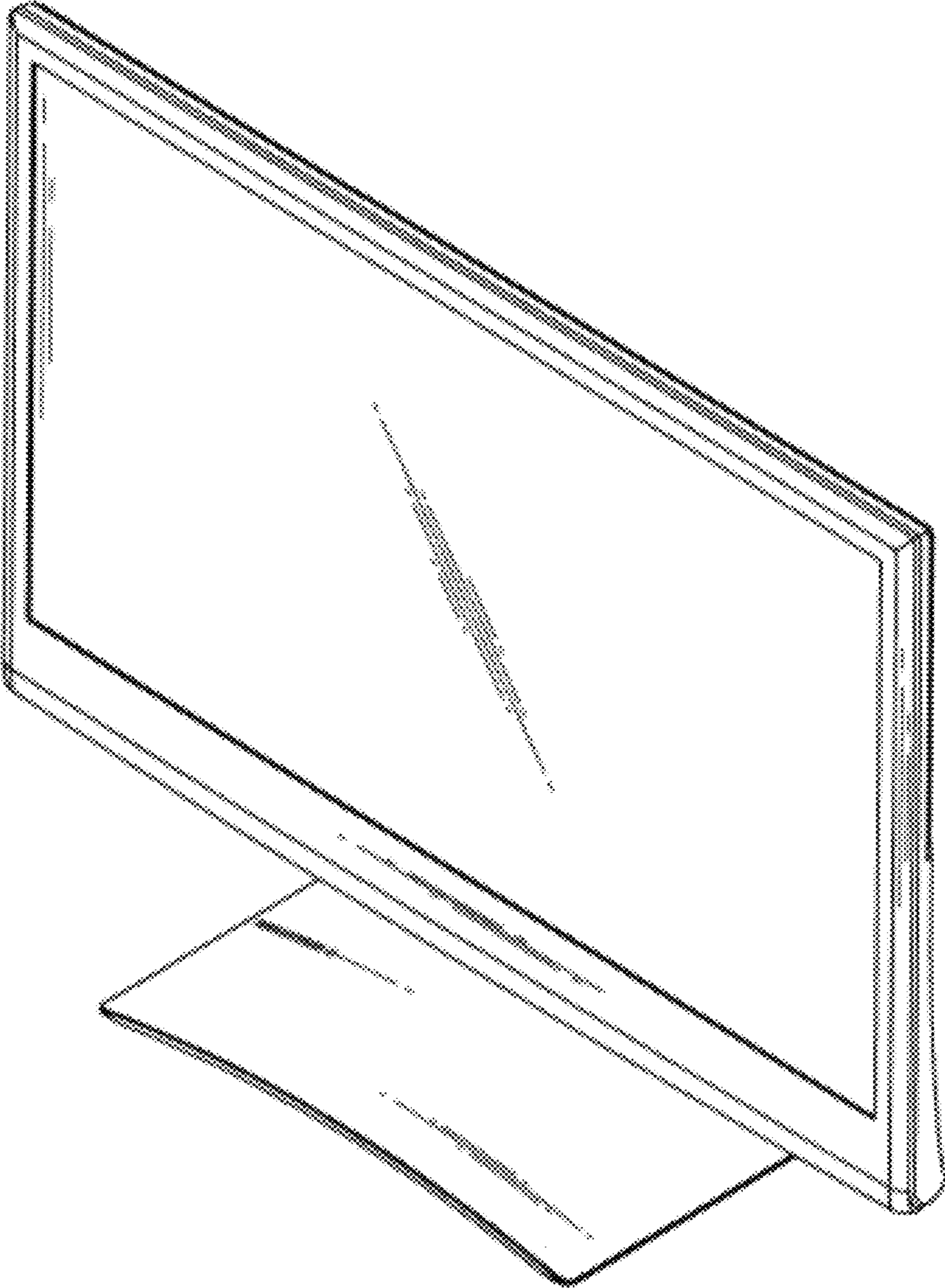


FIG. 2

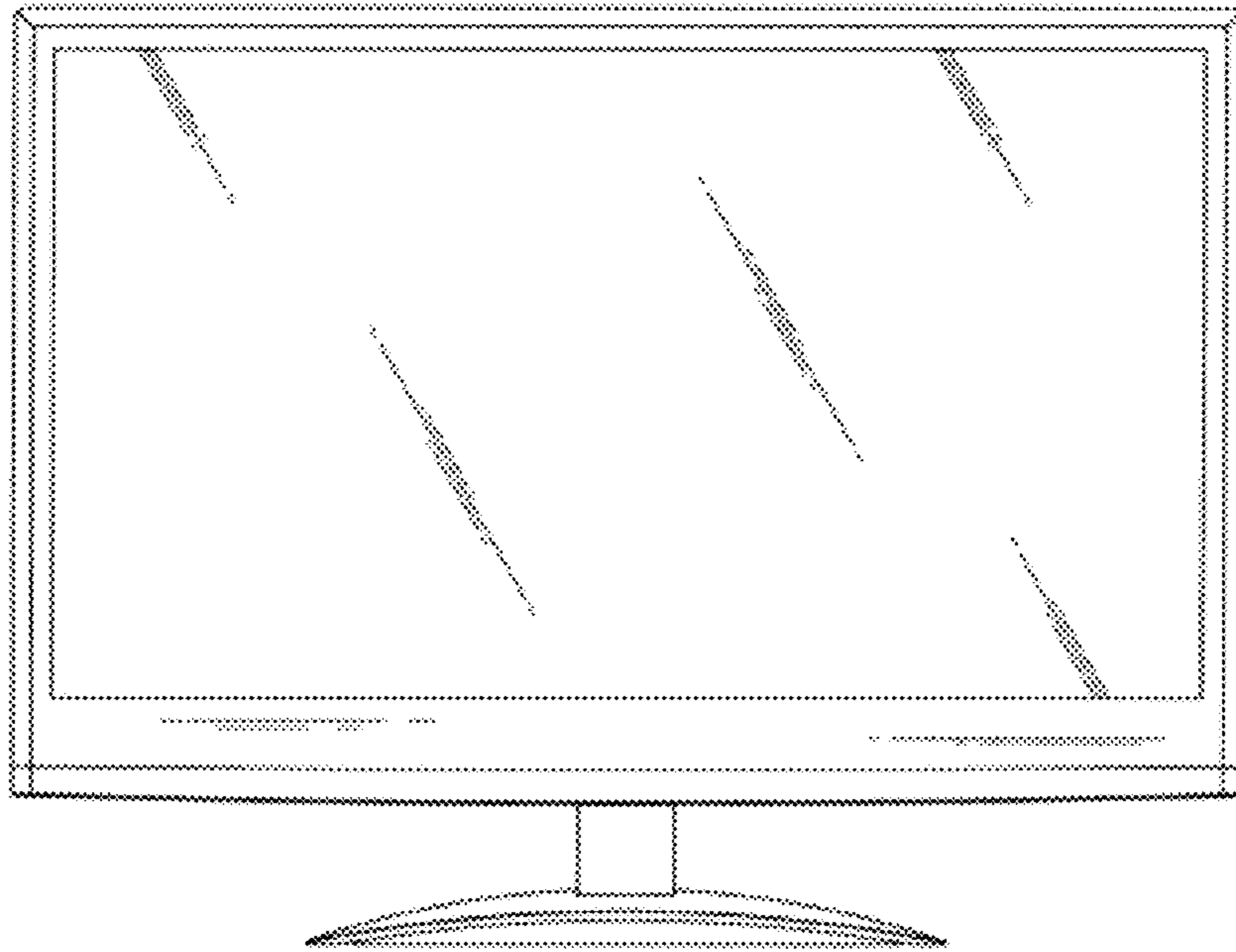


FIG. 3

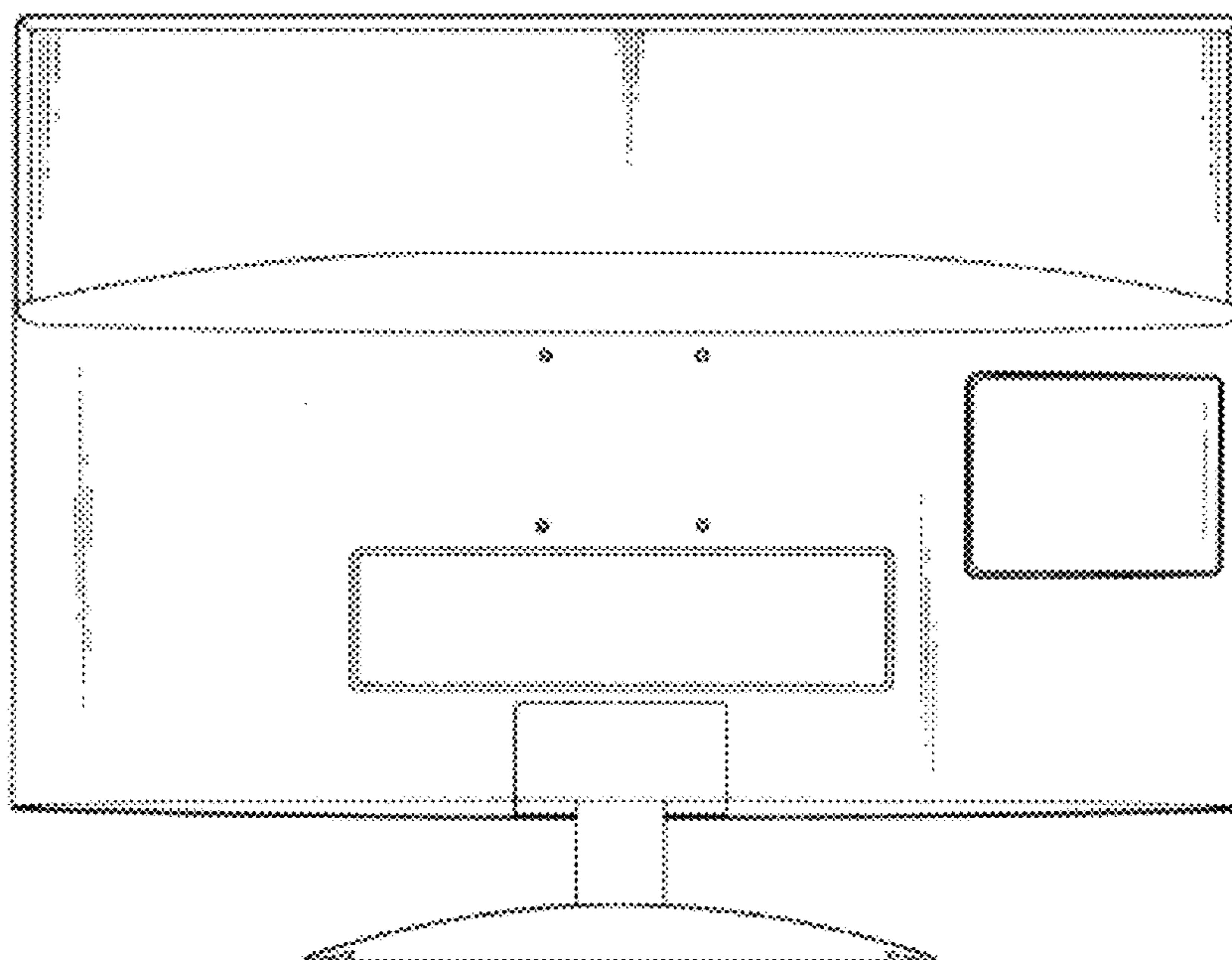


FIG. 4

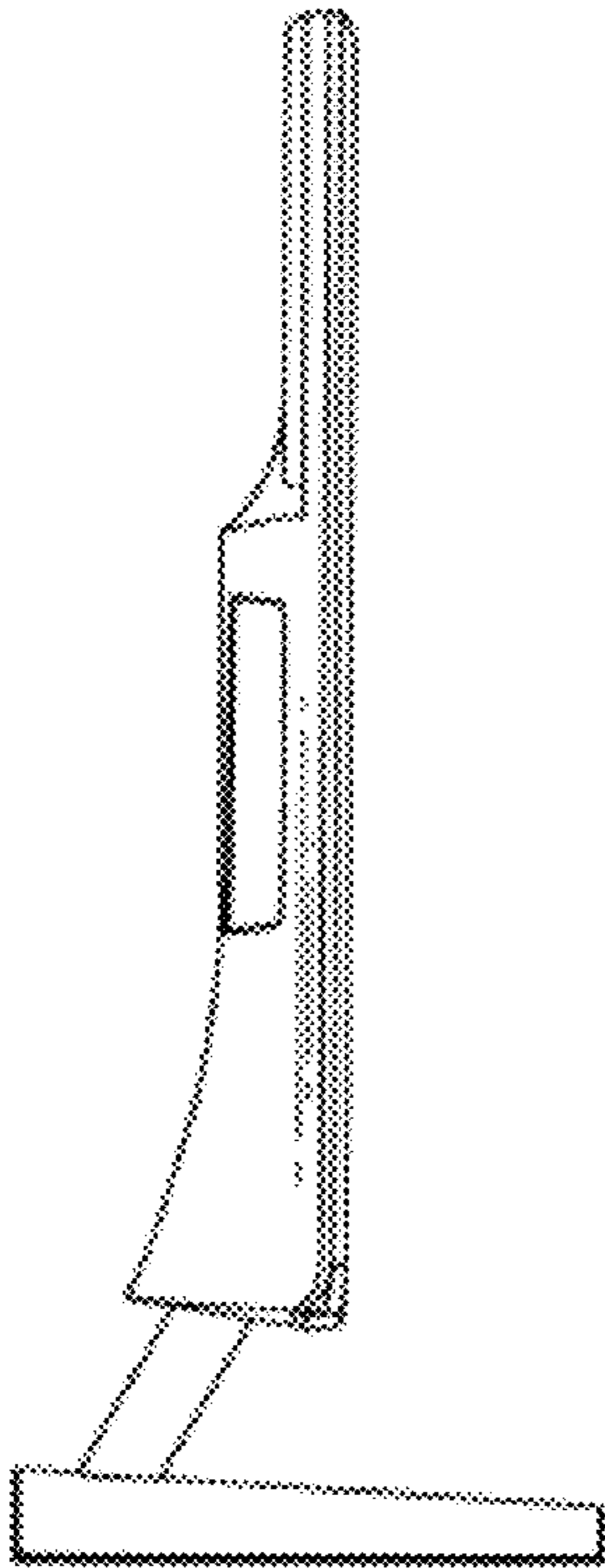


FIG. 5

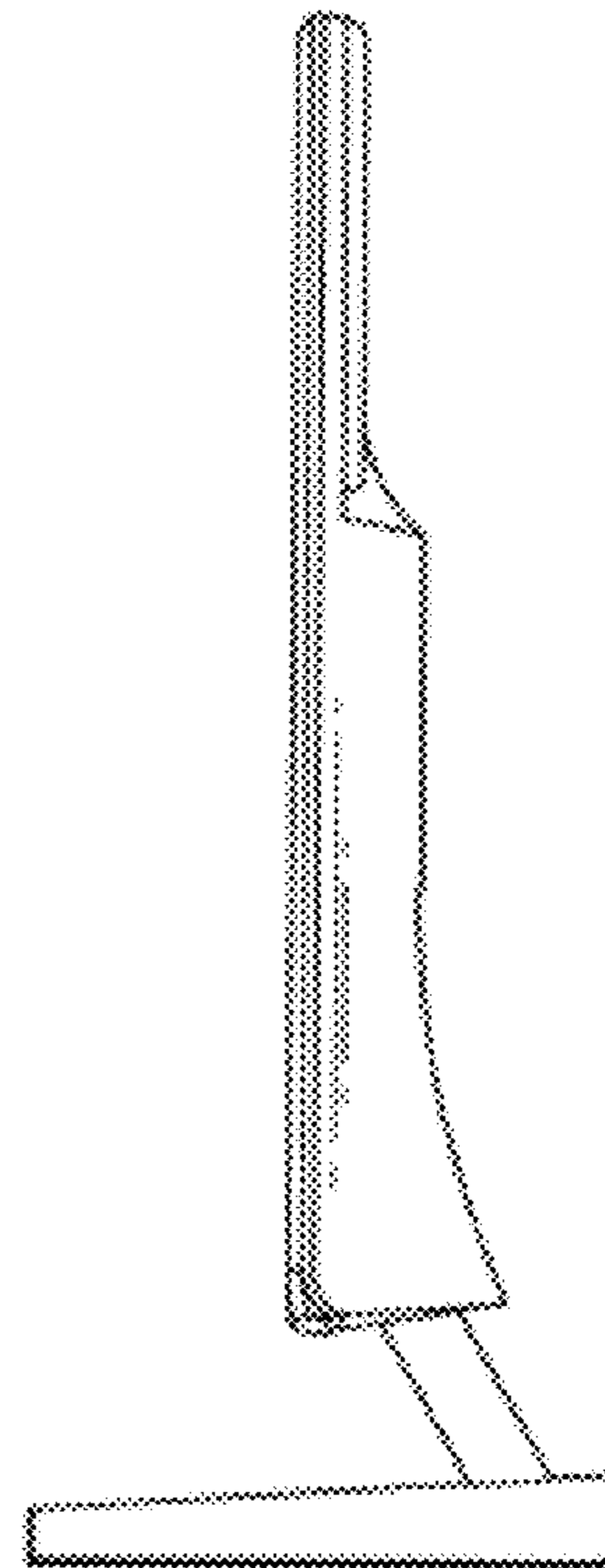


FIG. 6

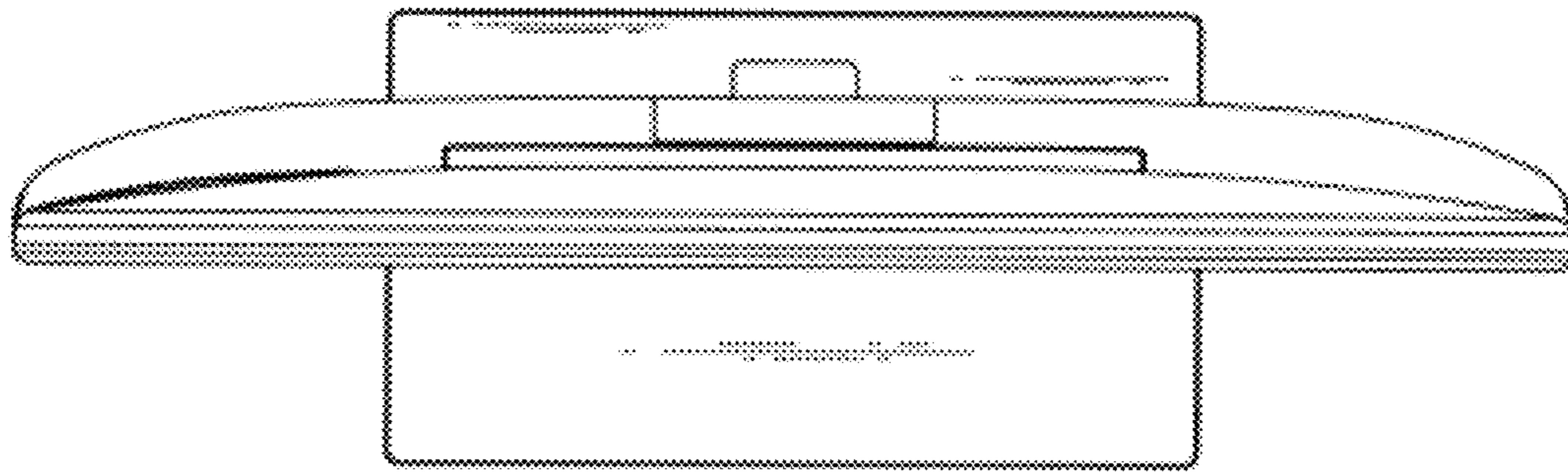


FIG. 7

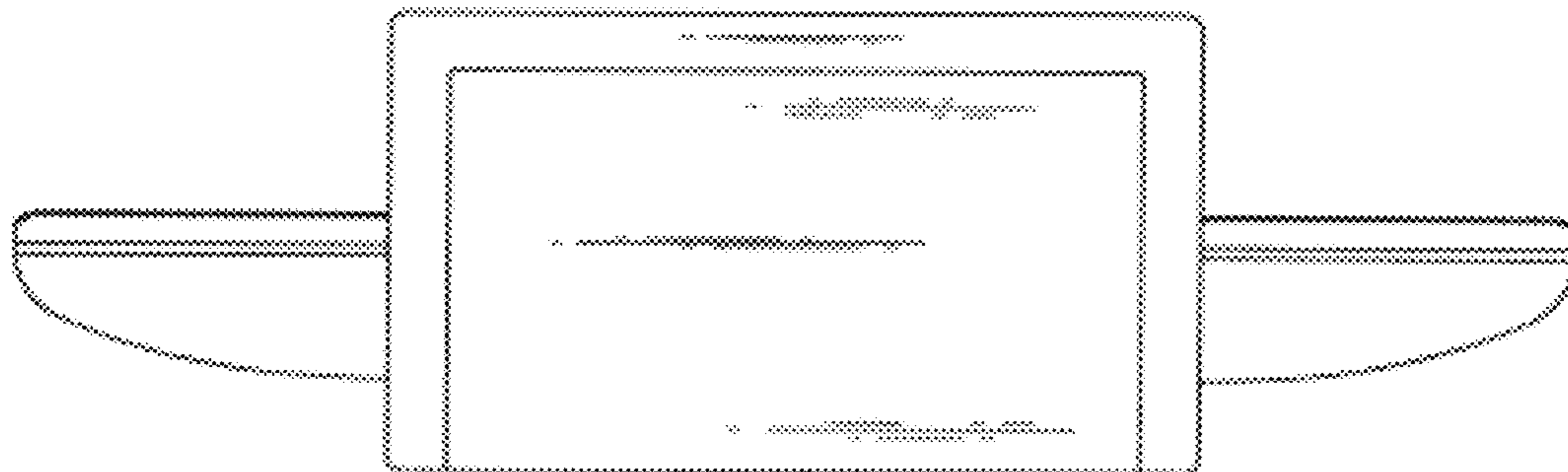


FIG. 8

