

US00D667804S

(12) **United States Design Patent**
Binder et al.

(10) **Patent No.:** **US D667,804 S**

(45) **Date of Patent:** **** Sep. 25, 2012**

(54) **CONTROLLER WITH INTEGRATED MECHANISM**

(75) Inventors: **Peter Michael Binder**, Orsingen-Nenzingen (DE); **Andreas Stoerk**, Wurmlingen (DE); **Holger von Both**, Engen (DE); **Hartmut Winkler**, Tuttlingen (DE)

(73) Assignee: **Binder GmbH**, Tuttlingen (DE)

(**) Term: **14 Years**

(21) Appl. No.: **29/404,137**

(22) Filed: **Oct. 17, 2011**

(30) **Foreign Application Priority Data**

Aug. 2, 2011 (EP) 001 899 816

(51) **LOC (9) Cl.** **13-99**

(52) **U.S. Cl.** **D13/199**

(58) **Field of Classification Search** D13/199, D13/123, 133, 152, 154, 158, 162, 177, 184; D14/439, 440, 441, 447, 900; 361/679.31, 361/679.32, 679.33; 369/34.01, 36.01; 360/92.1
See application file for complete search history.

(56) **References Cited**

U.S. PATENT DOCUMENTS

D392,256 S * 3/1998 Saint-Cyr et al. D13/158
D408,303 S * 4/1999 Janda et al. D10/40

D475,983 S * 6/2003 Lin et al. D13/199
D477,815 S * 7/2003 Gillingham et al. D13/184
D627,317 S * 11/2010 Gretz D13/184
D635,106 S * 3/2011 Cheng et al. D13/184

* cited by examiner

Primary Examiner — Derrick Holland

(74) *Attorney, Agent, or Firm* — Andrew F. Young, Esq.; Lackenbach Siegel, LLP

(57) **CLAIM**

The ornamental design for a controller with integrated mechanism, as shown and described.

DESCRIPTION

FIG. 1 is a front perspective view of a controller with integrated mechanism showing our new design.

FIG. 2 is a front elevation view of FIG. 1.

FIG. 3 is a rear elevation view of FIG. 1.

FIG. 4 is a right side elevation view of FIG. 2.

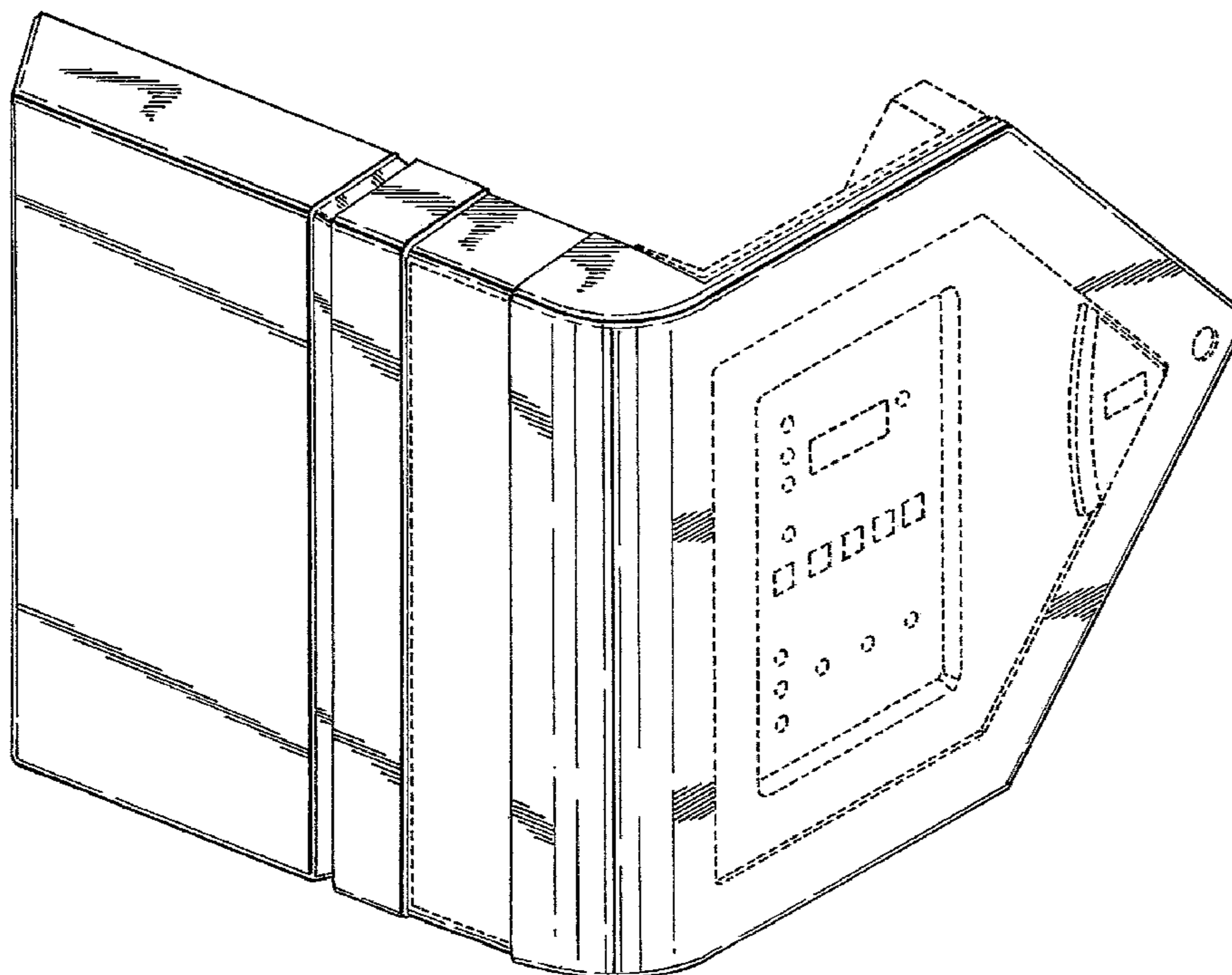
FIG. 5 is a left side elevation view of FIG. 2.

FIG. 6 is a top plan view of FIG. 2; and,

FIG. 7 is a bottom plan view of FIG. 2.

The broken lines shown represent unclaimed subject matter and form no part of the claim. Where broken lines abut a claimed surface it is understood that those broken lines represent an unclaimed boundary between claimed and unclaimed surfaces. None of the broken lines form any part of the claimed design.

1 Claim, 7 Drawing Sheets



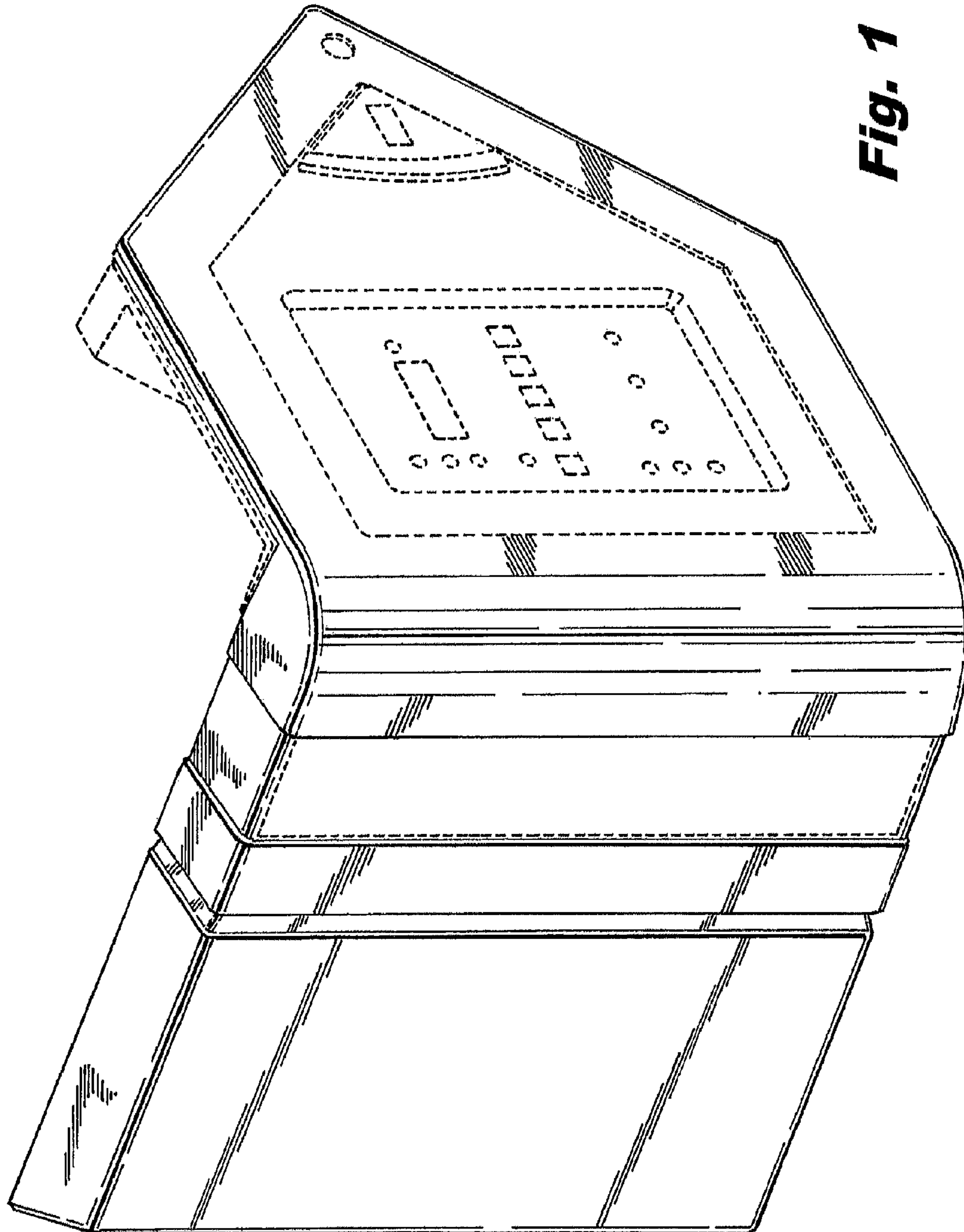


Fig. 1

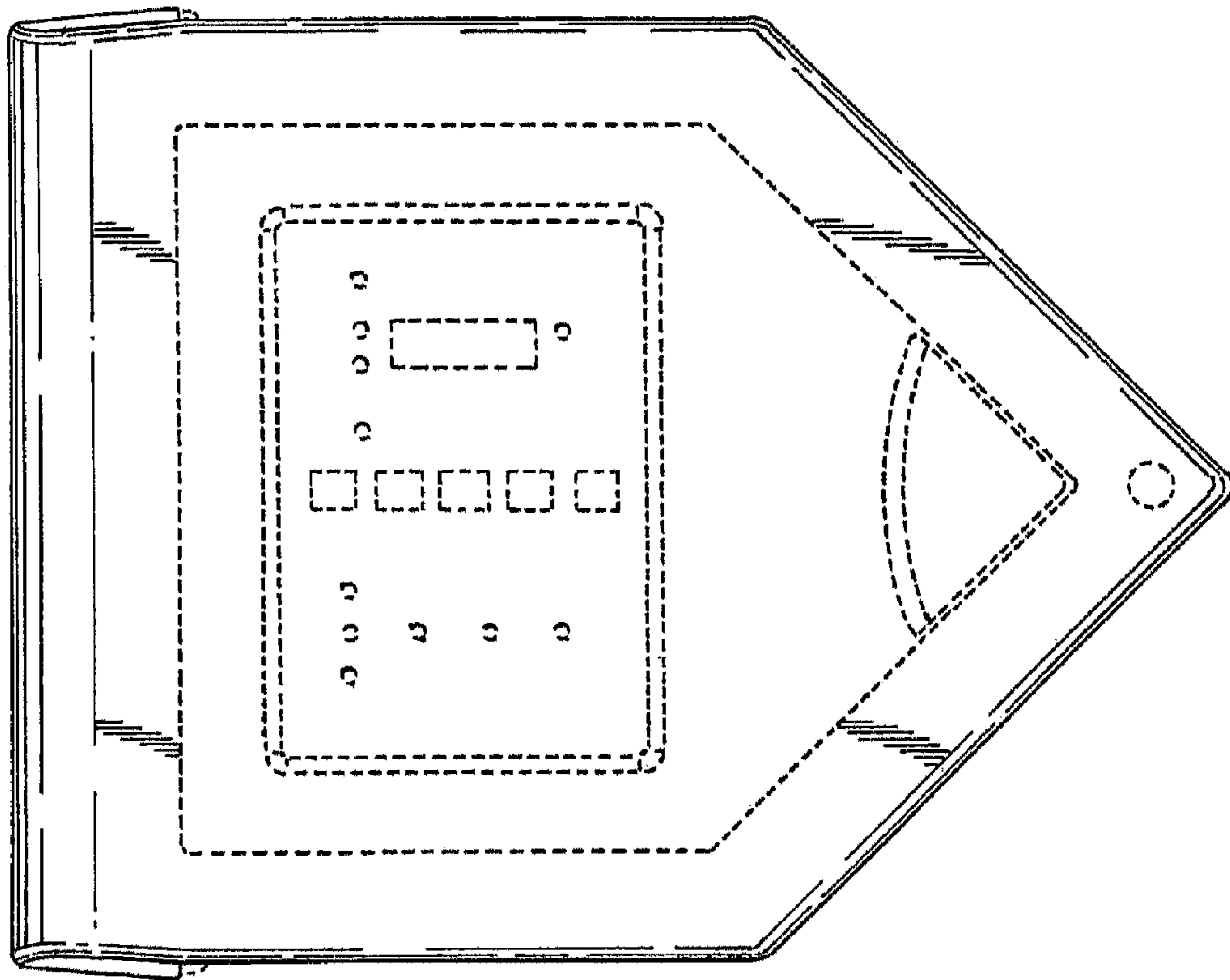


Fig. 2

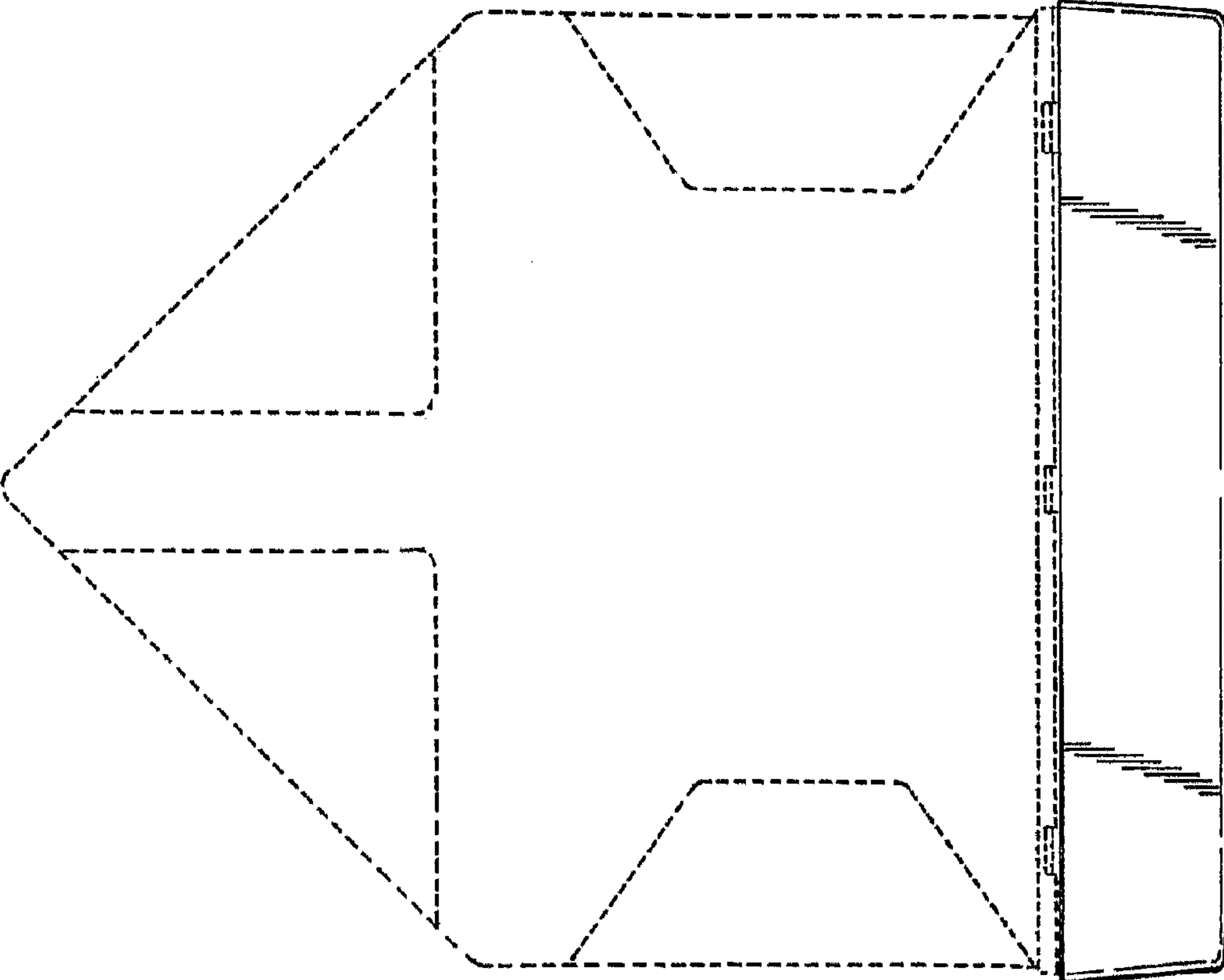


Fig. 3

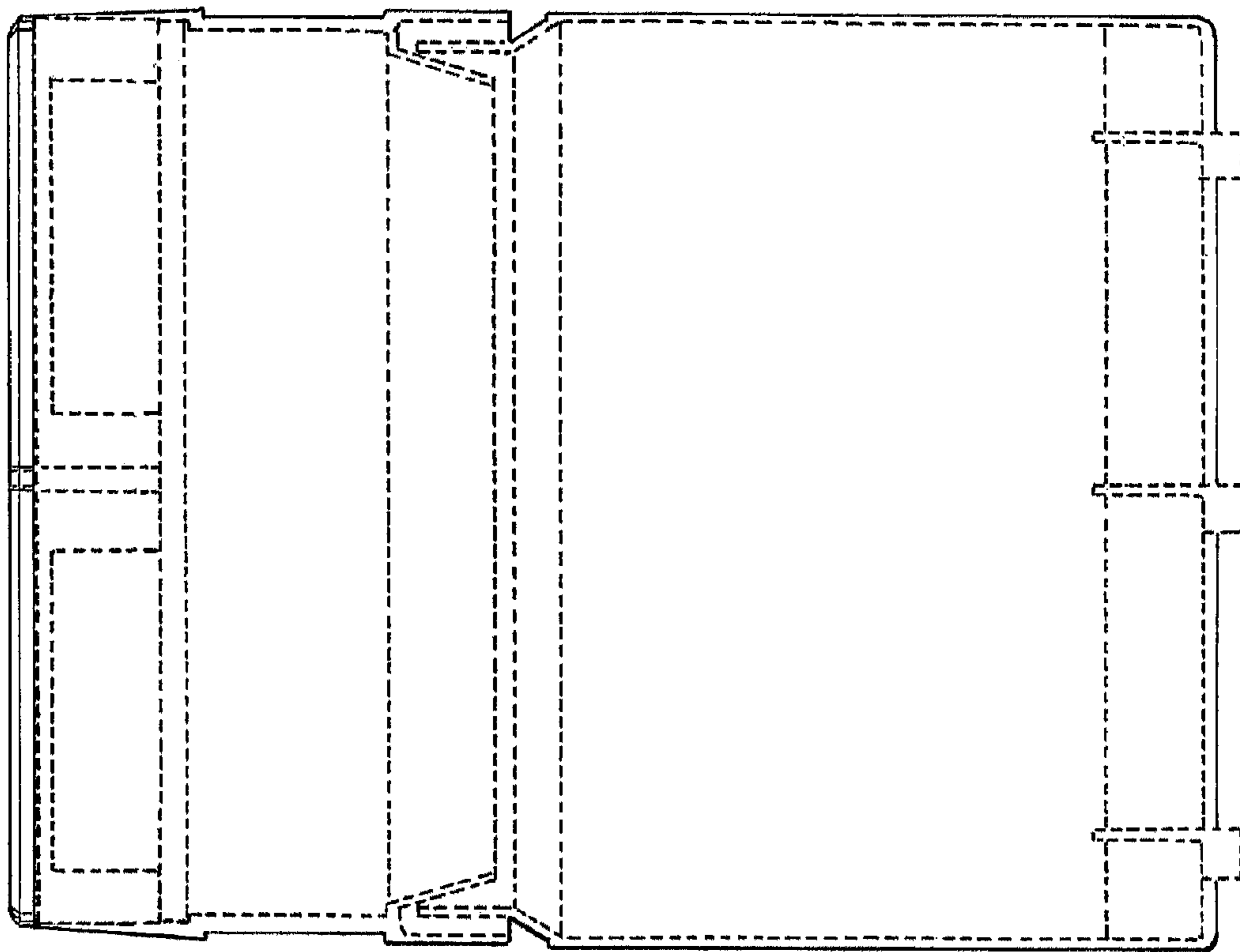


Fig. 4

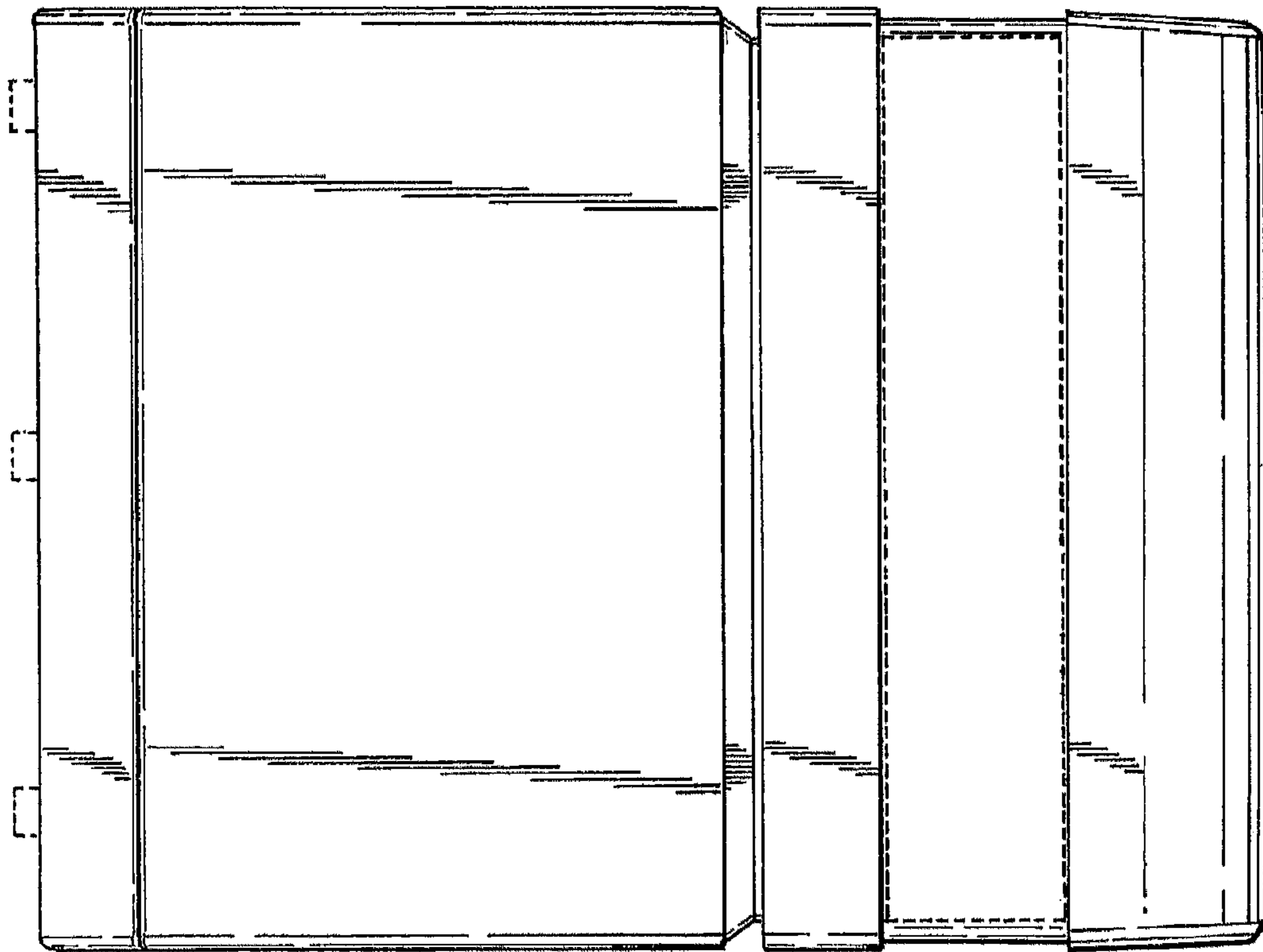


Fig. 5

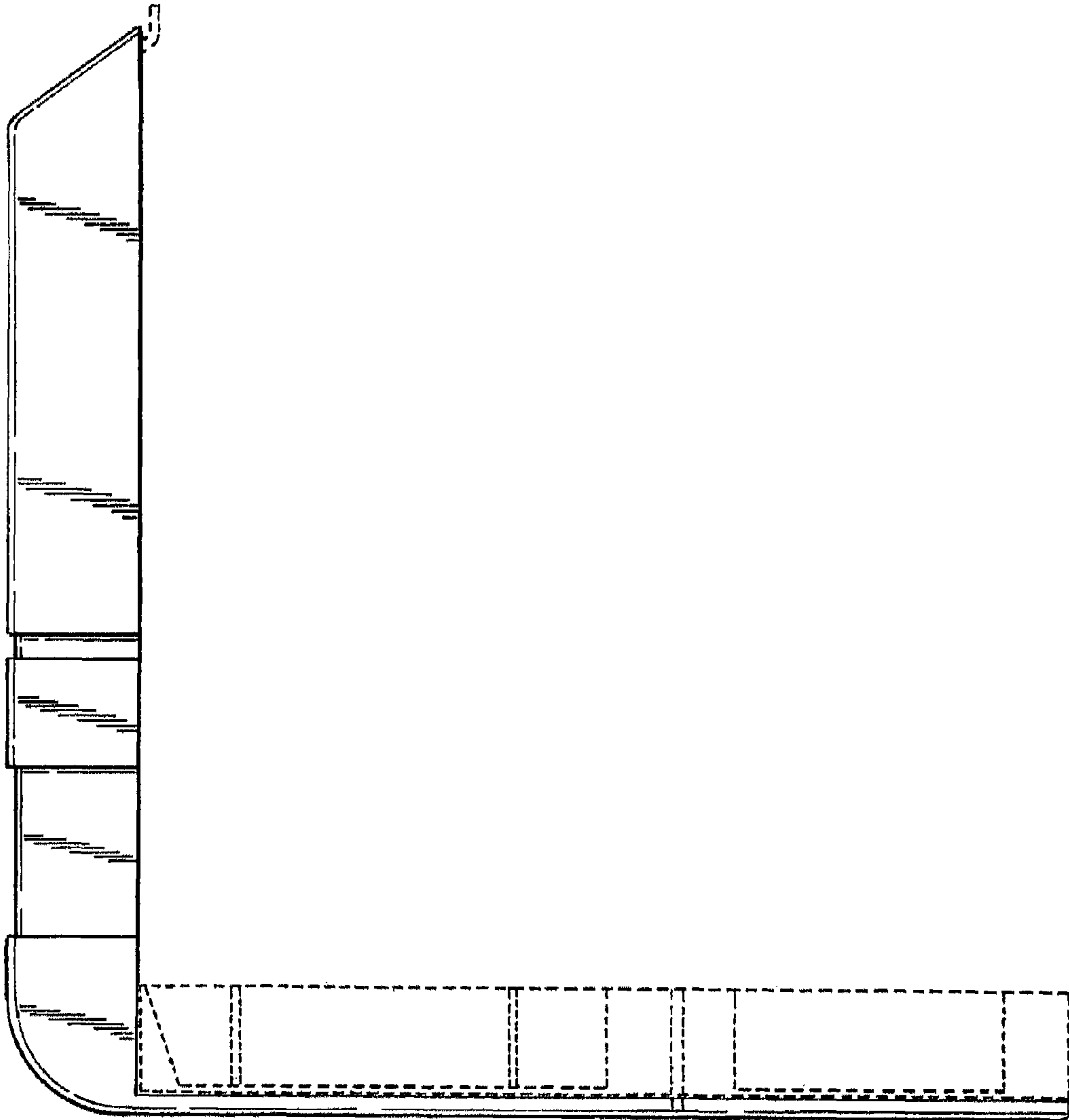


Fig. 6

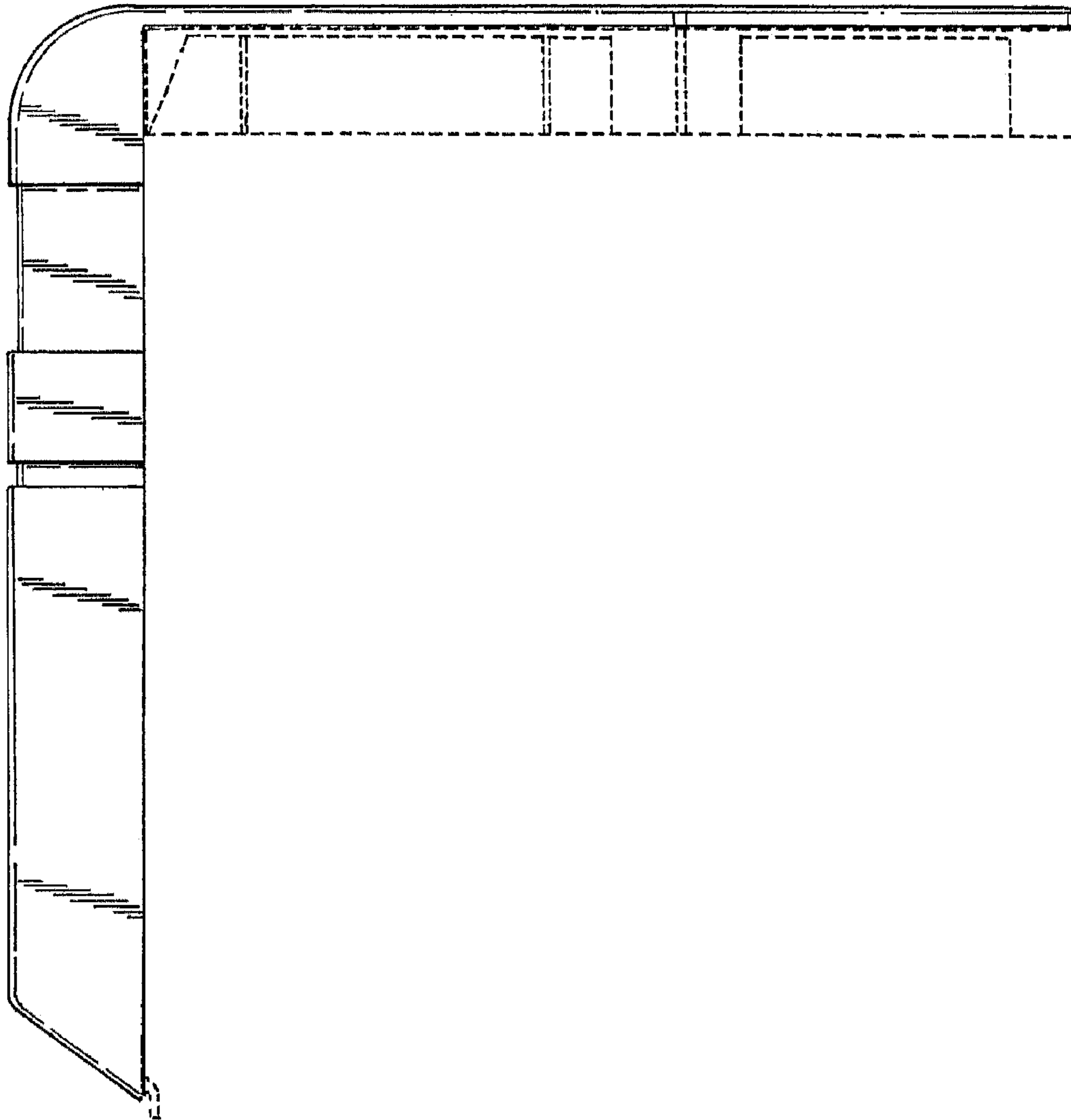


Fig. 7