

US00D667803S

(12) **United States Design Patent**  
**Hussell et al.**

(10) **Patent No.:** **US D667,803 S**  
(45) **Date of Patent:** **\*\* Sep. 25, 2012**

(54) **LIGHT EMITTING DEVICE PACKAGE**

(75) Inventors: **Christopher P. Hussell**, Cary, NC (US);  
**Peter Scott Andrews**, Durham, NC  
(US); **Jesse Colin Reiherzer**, Wake  
Forest, NC (US); **David T. Emerson**,  
Chapel Hill, NC (US)

(73) Assignee: **Cree, Inc.**, Durham, NC (US)

(\*\*) Term: **14 Years**

(21) Appl. No.: **29/407,084**

(22) Filed: **Nov. 22, 2011**

**Related U.S. Application Data**

(62) Division of application No. 29/379,636, filed on Nov.  
22, 2010, now Pat. No. Des. 650,760.

(51) **LOC (9) Cl.** ..... **13-03**

(52) **U.S. Cl.** ..... **D13/180**

(58) **Field of Classification Search** ..... D13/180;  
D26/1, 2; 257/79, 80, 81, 88, 89, 95, 98,  
257/99, 100, E33.058; 313/483, 498, 500;  
362/555, 800

See application file for complete search history.

(56) **References Cited**

**U.S. PATENT DOCUMENTS**

7,224,000	B2 *	5/2007	Aanegola et al.	257/98
D570,797	S *	6/2008	Song	D13/180
D573,553	S *	7/2008	Uemoto et al.	D13/180
D576,576	S *	9/2008	Shida et al.	D13/180
7,482,636	B2 *	1/2009	Murayama et al.	257/98
D589,470	S *	3/2009	Chen	D13/180
D593,043	S *	5/2009	Song	D13/180
D602,451	S	10/2009	Gielen	
D603,813	S	11/2009	Nishimura et al.	
D607,420	S *	1/2010	Imai et al.	D13/180
7,649,209	B2	1/2010	Hussell et al.	
D615,052	S *	5/2010	Imai et al.	D13/180
7,825,578	B2 *	11/2010	Takashima et al.	313/502
7,872,418	B2 *	1/2011	Hata et al.	313/512
D637,564	S *	5/2011	Tseng et al.	D13/180
D645,417	S *	9/2011	Imai et al.	D13/180

D650,760	S *	12/2011	Hussell et al.	D13/180
2004/0196663	A1 *	10/2004	Ishida et al.	362/539
2007/0018295	A1 *	1/2007	Kim et al.	257/678
2008/0054279	A1	3/2008	Hussell et al.	
2008/0054284	A1	3/2008	Hussell et al.	
2008/0054286	A1 *	3/2008	Loh et al.	257/98
2010/0078664	A1	4/2010	Helbing	
2010/0141182	A1	6/2010	Shi	
2010/0253248	A1	10/2010	Shi	
2010/0320483	A1 *	12/2010	Kadotani et al.	257/88

**OTHER PUBLICATIONS**

Bridgelux Product Data Sheet—1 page <http://www.bridgelux.com/products/ledarray.html> at least as early as Nov. 18, 2010. Design U.S. Appl. No. 29/380,387 for “Light Emitting Device Package” filed Dec. 3, 2010.  
U.S. Appl. No. 13/028,972 for “Light Emitting Devices and Methods” filed Feb. 16, 2011.

\* cited by examiner

*Primary Examiner* — Selina Sikder

(74) *Attorney, Agent, or Firm* — Jenkins, Wilson, Taylor & Hunt, P.A.

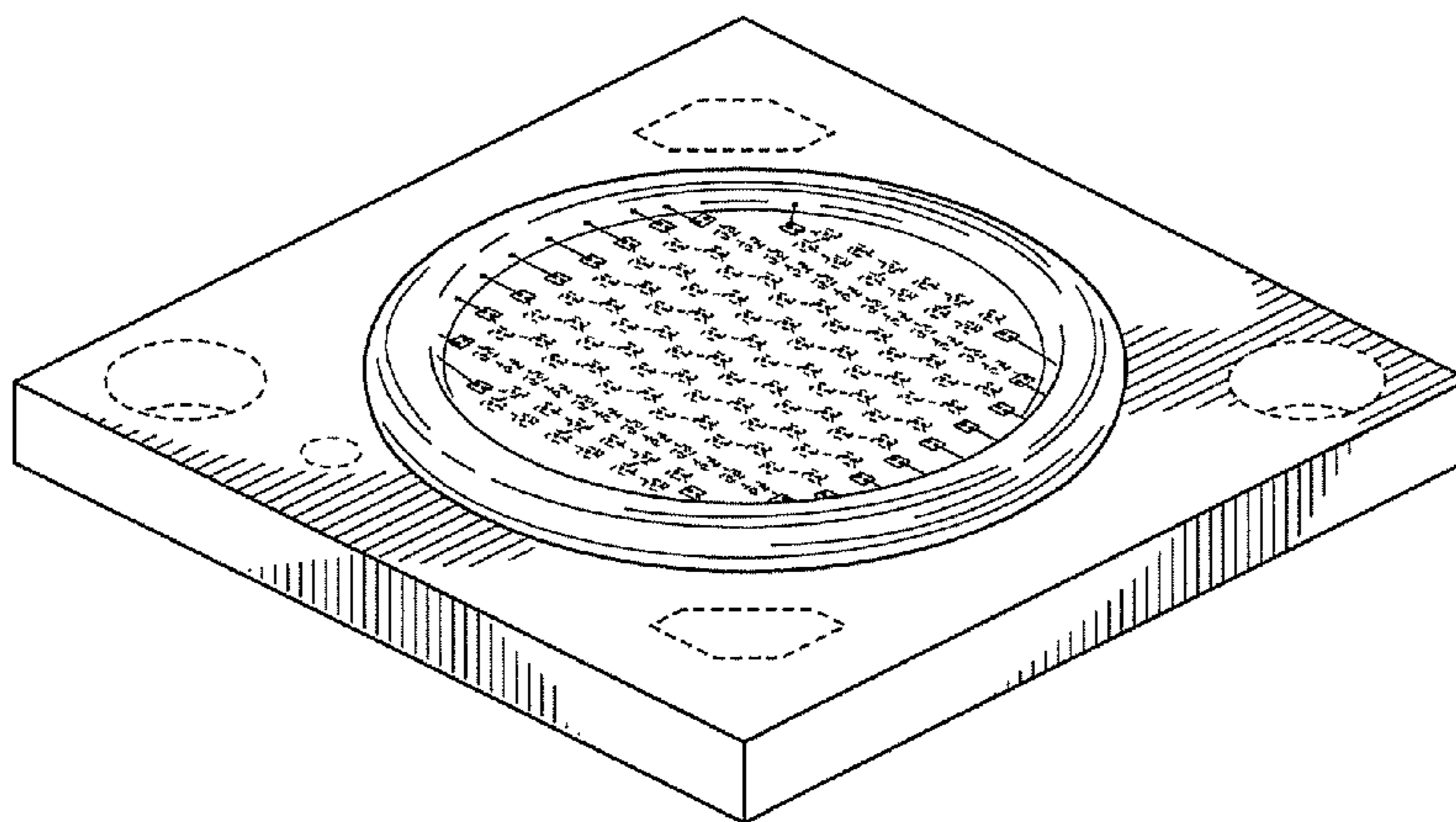
(57) **CLAIM**

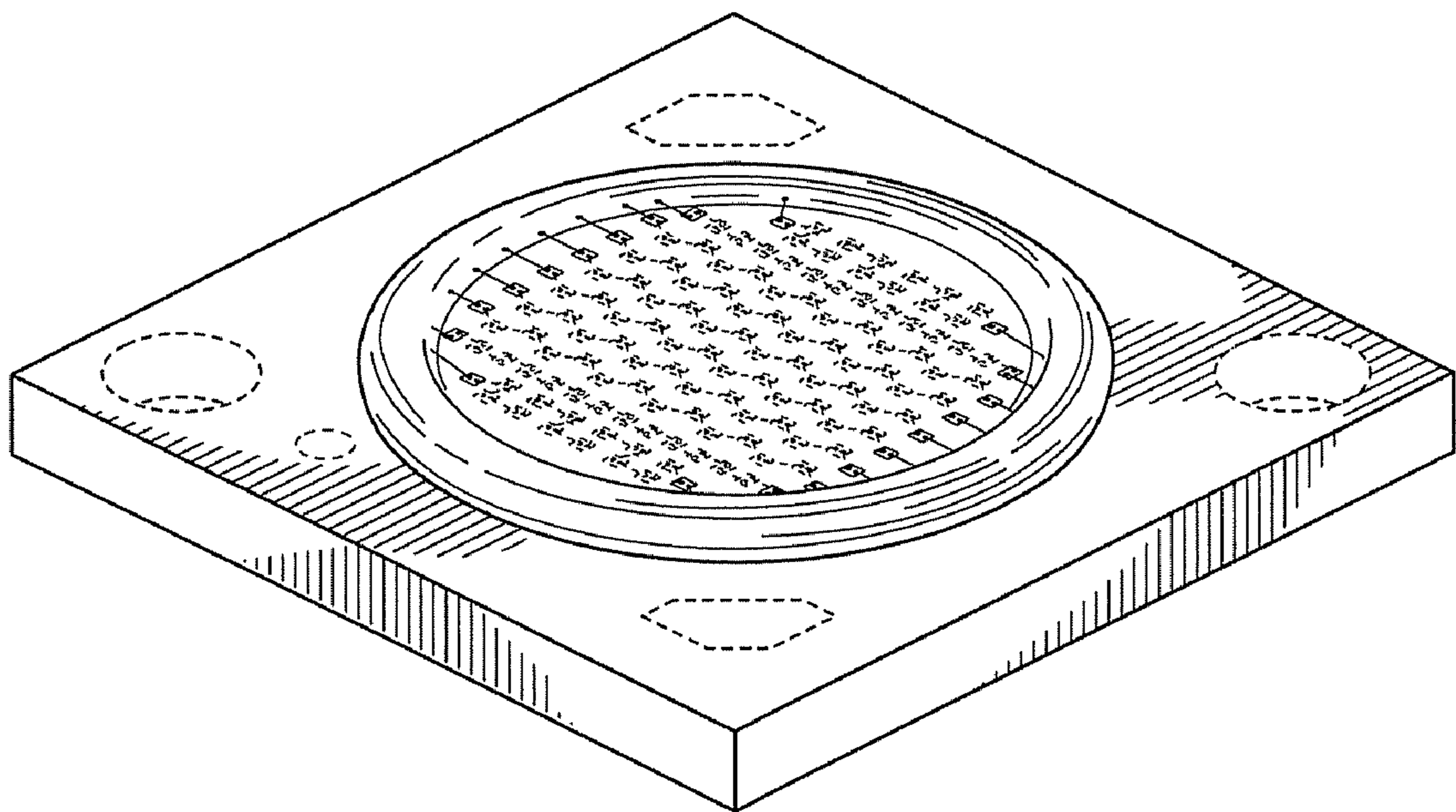
The ornamental design for a light emitting device package, as shown and described.

**DESCRIPTION**

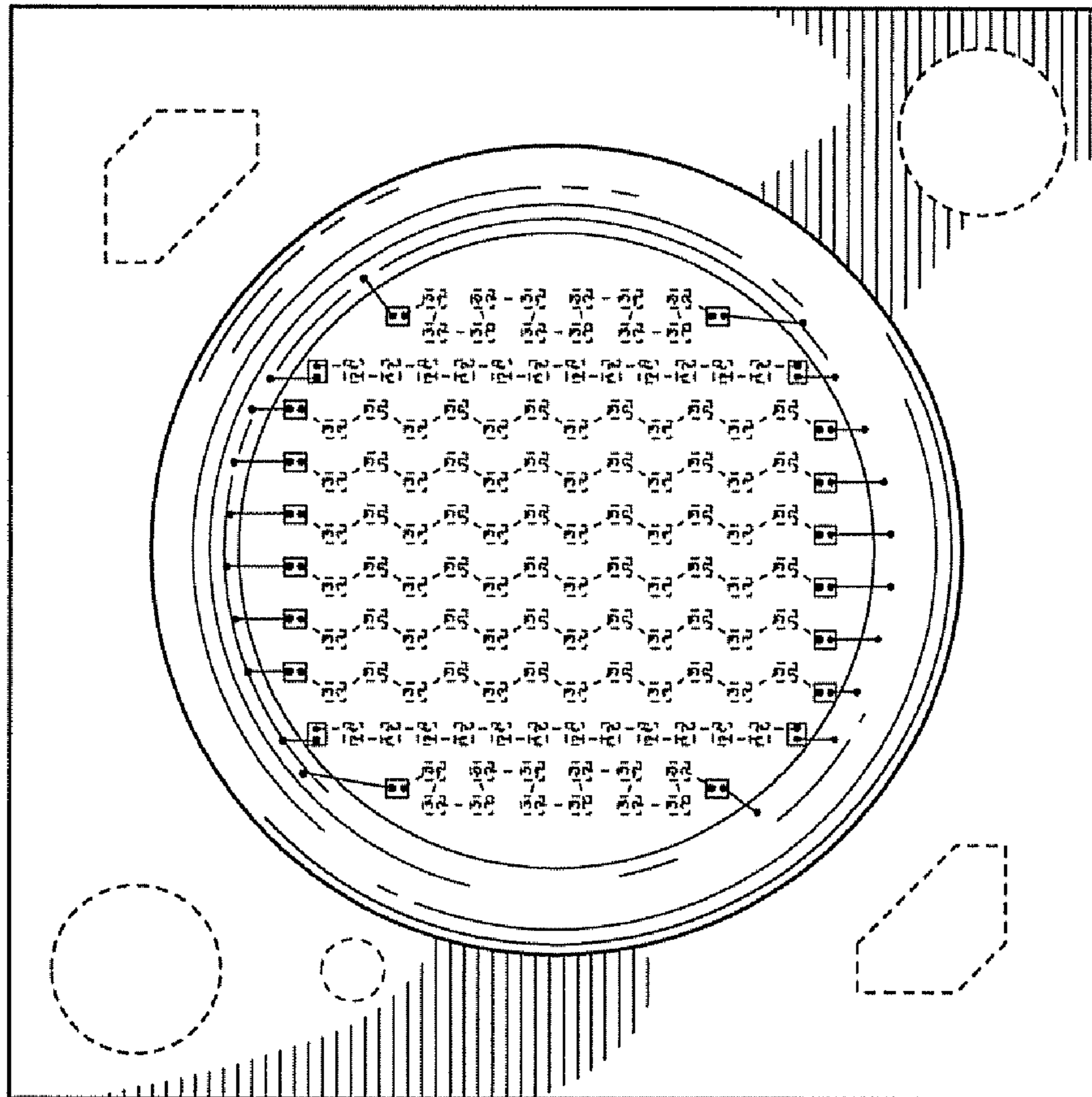
FIG. 1 is a perspective view of an embodiment of a light emitting device package showing our design;  
FIG. 2 is a top view thereof;  
FIG. 3 a side view thereof, the opposing and adjacent sides being mirror images of that shown;  
FIG. 4 is a bottom view thereof;  
FIG. 5 is a perspective view of a second embodiment of a light emitting device package showing our design;  
FIG. 6 is a top view thereof;  
FIG. 7 a side view thereof, the opposing and adjacent sides being mirror images of that shown; and,  
FIG. 8 is a bottom view thereof.  
The dashed broken lines are for illustrative purpose only and form no part of the claimed design.

**1 Claim, 6 Drawing Sheets**

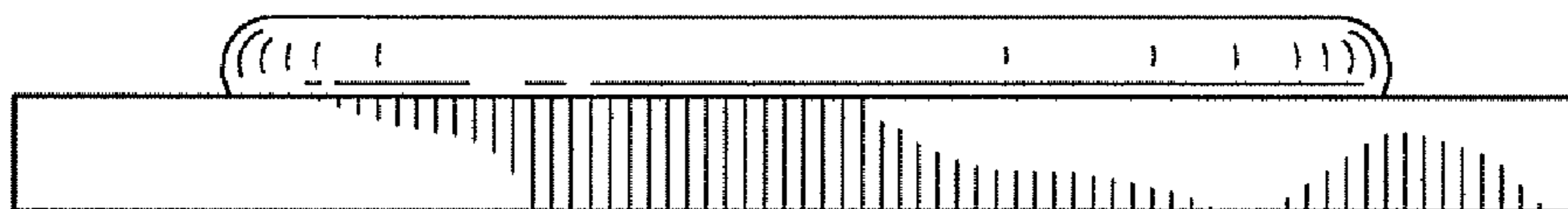




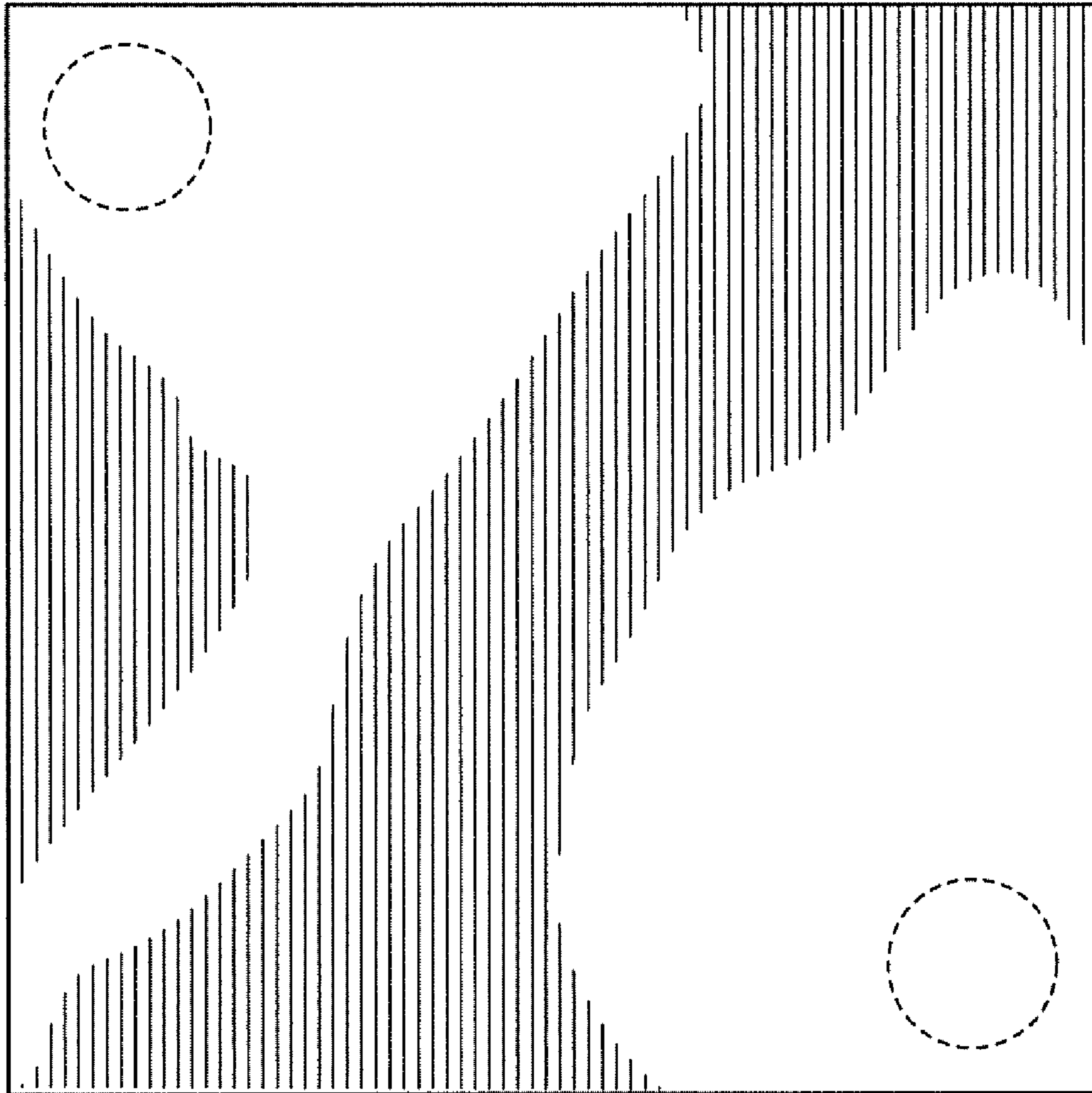
**FIG. 1**



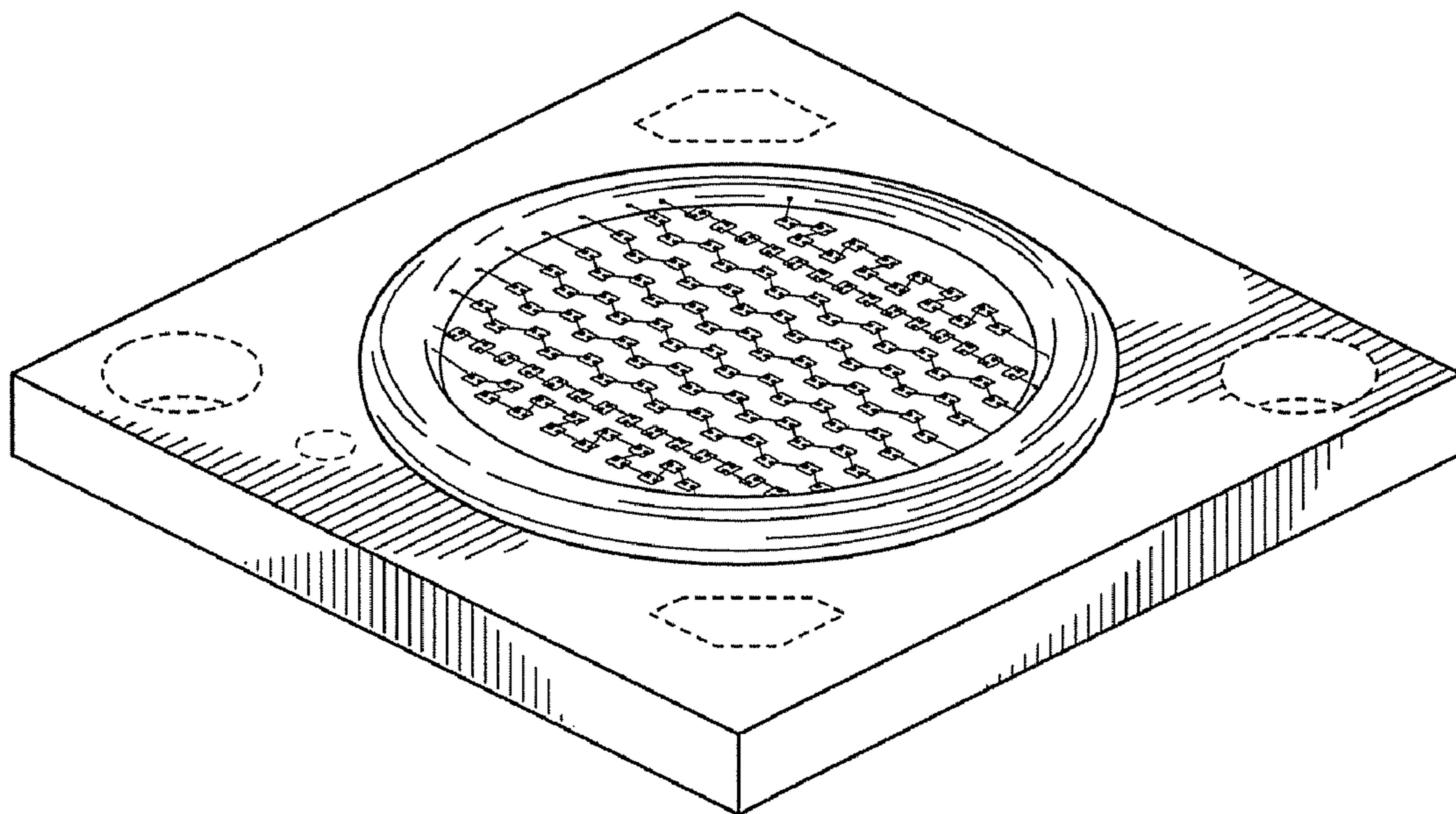
**FIG. 2**



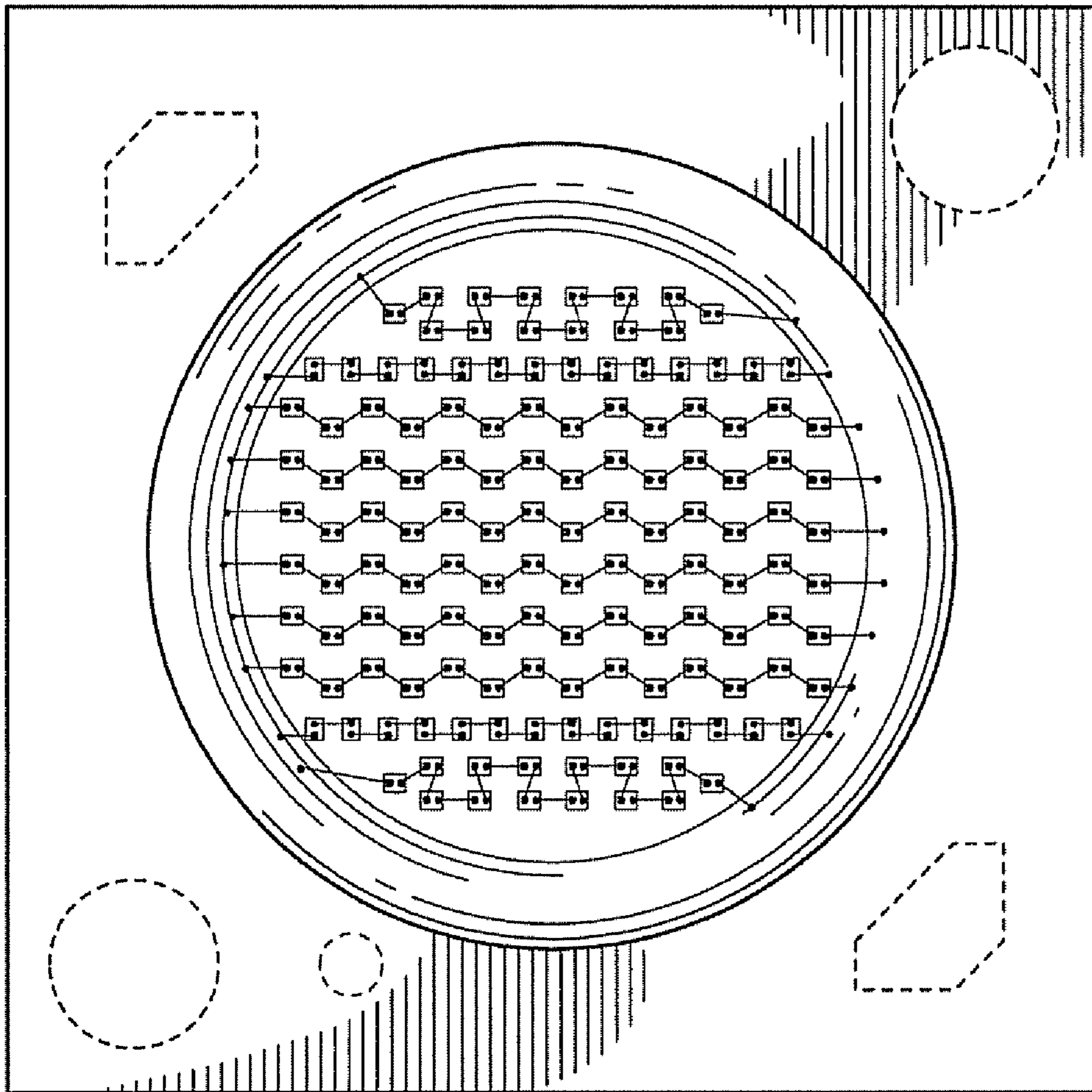
**FIG. 3**



**FIG. 4**



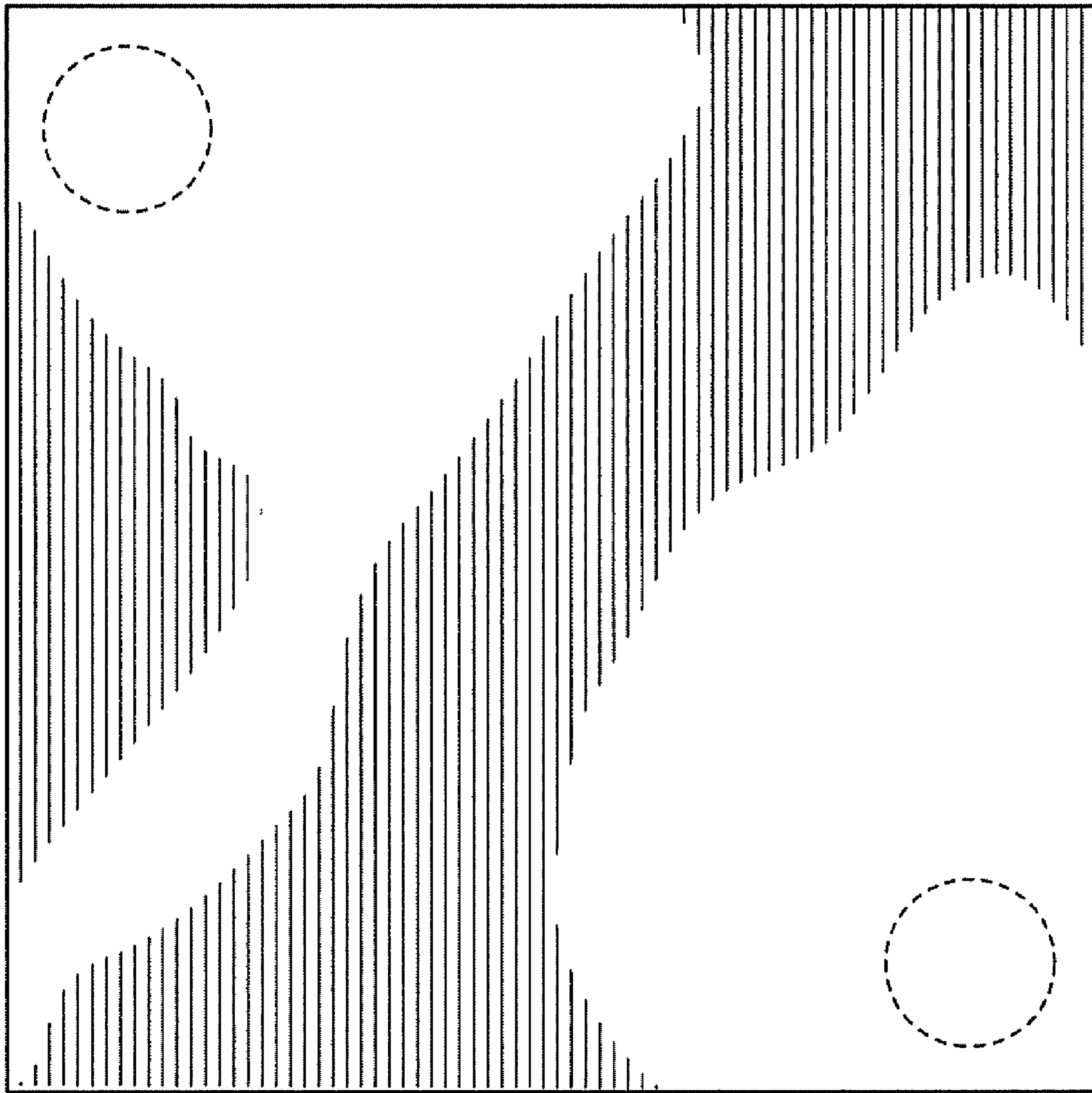
**FIG. 5**



**FIG. 6**



**FIG. 7**



**FIG. 8**